

US00D653816S

(12) **United States Design Patent**
Gruber et al.

(10) **Patent No.:** **US D653,816 S**

(45) **Date of Patent:** **** Feb. 7, 2012**

(54) **BODY PORTION OF A CANINE PONCHO**

(76) Inventors: **Thomas L. Gruber**, Escondido, CA
(US); **Kathleen Finn**, Escondido, CA
(US)

(**) Term: **14 Years**

(21) Appl. No.: **29/359,784**

(22) Filed: **Apr. 15, 2010**

(51) **LOC (9) Cl.** **30-01**

(52) **U.S. Cl.** **D30/145**

(58) **Field of Classification Search** D30/144,
D30/145, 161, 169, 199; 119/850, 863, 856-858,
119/174, 792, 907; 224/42.11, 241, 582,
224/505; 54/44.1; D3/231; 441/127, 115,
441/55, 80, 136, 88, 106, 108

See application file for complete search history.

(56) **References Cited**

U.S. PATENT DOCUMENTS

1,612,945	A *	1/1927	Rieck	54/79.2
2,400,781	A *	5/1946	Priour	54/79.1
D228,926	S *	10/1973	Bennett	D30/145
4,345,548	A *	8/1982	Krebs et al.	119/855
4,385,592	A *	5/1983	Goldstein	602/18

D313,676	S *	1/1991	Indursky et al.	D30/145
D360,499	S *	7/1995	Cunningham et al.	D30/145
5,996,537	A *	12/1999	Caditz	119/850
D423,737	S *	4/2000	MacGuinness	D30/145
D445,547	S *	7/2001	Howitz et al.	D30/145
6,477,988	B2 *	11/2002	Burnett	119/850
D481,835	S *	11/2003	Williams	D30/145
2003/0168021	A1 *	9/2003	Clark	119/850

* cited by examiner

Primary Examiner — Susan Moon Lee

(74) *Attorney, Agent, or Firm* — Eric A. Hanscom; Todd J. Langford

(57) **CLAIM**

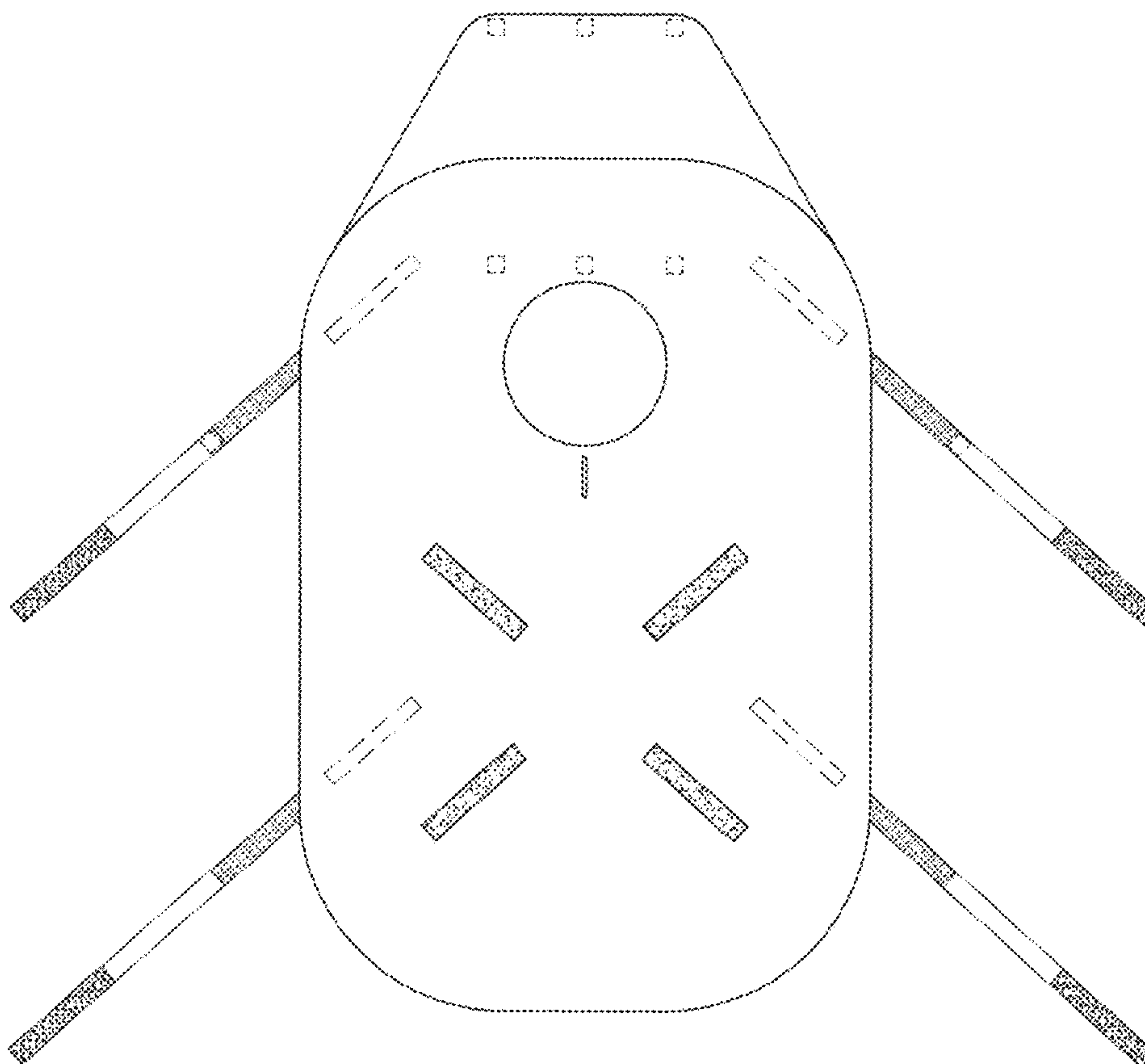
The ornamental design for a body portion of a canine poncho, as shown and described.

DESCRIPTION

FIG. 1 is a top view of a body portion of a canine poncho; FIG. 2 is a right side view, where the left side is a mirror image of the right side; and, FIG. 3 is a bottom view thereof.

The broken lines are for the purpose of illustrating unclaimed portions of the body portion of a canine poncho and form no part of the claimed design.

1 Claim, 2 Drawing Sheets



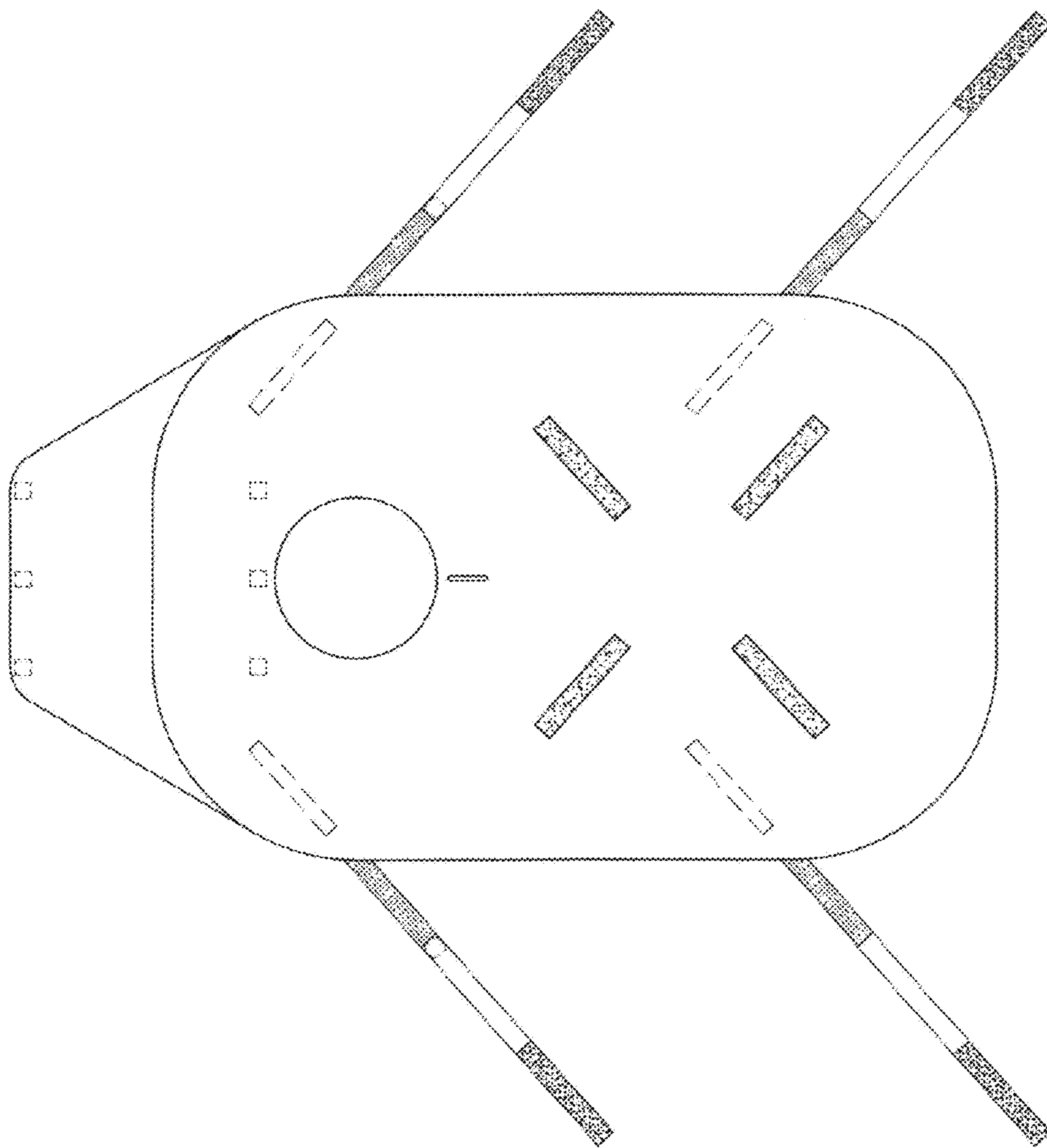


Figure 1



Figure 2

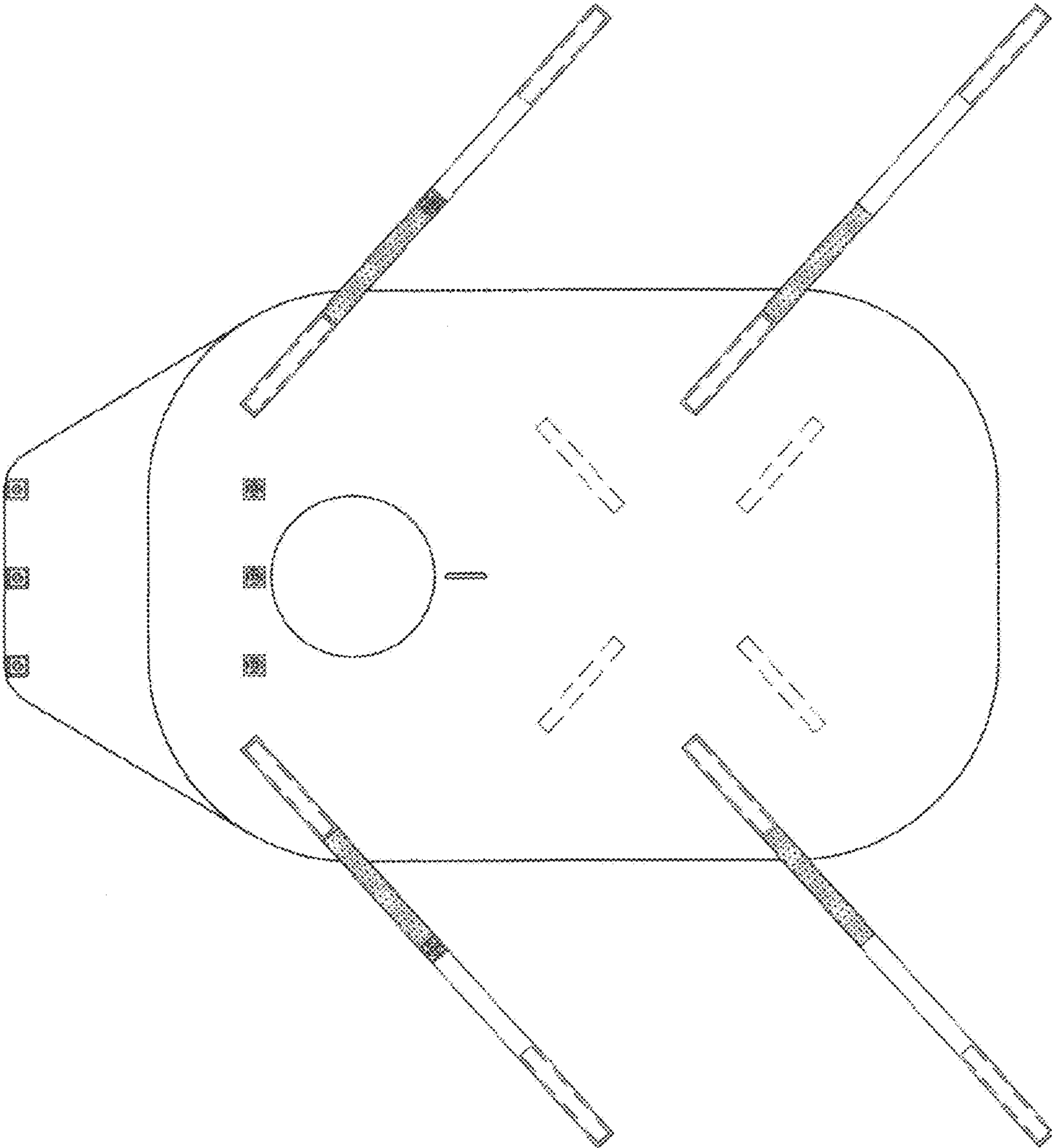


Figure 3