

US00D653815S

(12) **United States Design Patent**
Wetherby

(10) **Patent No.:** **US D653,815 S**

(45) **Date of Patent:** **** Feb. 7, 2012**

(54) **ANIMAL RETAINER**

(76) Inventor: **Kate Wetherby**, North Palm Beach, FL
(US)

(**) Term: **14 Years**

(21) Appl. No.: **29/364,648**

(22) Filed: **Jun. 25, 2010**

(51) **LOC (9) Cl.** **30-02**

(52) **U.S. Cl.** **D30/119**

(58) **Field of Classification Search** D30/108-120,
D30/161; 119/28.5, 161-170, 482, 496-499,
119/502, 512-513, 712, 416, 437, 445, 452,
119/453, 455; D25/53, 199, 50

See application file for complete search history.

(56) **References Cited**

U.S. PATENT DOCUMENTS

3,525,535	A *	8/1970	Kobori	280/749
3,546,721	A *	12/1970	Cleary	5/97
3,590,864	A *	7/1971	Vechesloff	135/95
4,708,384	A *	11/1987	LaRosa	296/24.46
4,852,194	A *	8/1989	Langan	5/427
4,924,814	A *	5/1990	Beaudet	119/712
5,290,086	A *	3/1994	Tucker	296/152
6,099,222	A *	8/2000	Moore	410/100
6,186,274	B1 *	2/2001	Reynolds et al.	182/138
6,349,986	B1 *	2/2002	Seel et al.	296/37.16
D491,694	S *	6/2004	Fleer	D29/100
6,962,382	B2 *	11/2005	Scarlett	296/24.46
7,008,154	B1 *	3/2006	Nolle	410/118
7,178,482	B1 *	2/2007	Derrick	119/484

D567,742	S *	4/2008	Spater et al.	D12/426
7,462,114	B2 *	12/2008	Moller, Jr.	473/415
D597,923	S *	8/2009	Uotila	D12/345
7,669,907	B2 *	3/2010	Spater et al.	296/24.46
D622,790	S *	8/2010	Brown	D21/698
2004/0079586	A1 *	4/2004	Walls et al.	182/138
2008/0136205	A1 *	6/2008	Hoffman et al.	296/24.46

* cited by examiner

Primary Examiner — T. Chase Nelson

Assistant Examiner — Ania Aman

(74) *Attorney, Agent, or Firm* — McHale & Slavin, P.A.

(57) **CLAIM**

The ornamental design for an animal retainer, as shown and described.

DESCRIPTION

FIG. 1 is a front perspective view of the animal retainer of the instant invention;

FIG. 2 is a front view thereof;

FIG. 3 is a rear view thereof;

FIG. 4 is a top view thereof;

FIG. 5 is a bottom view thereof;

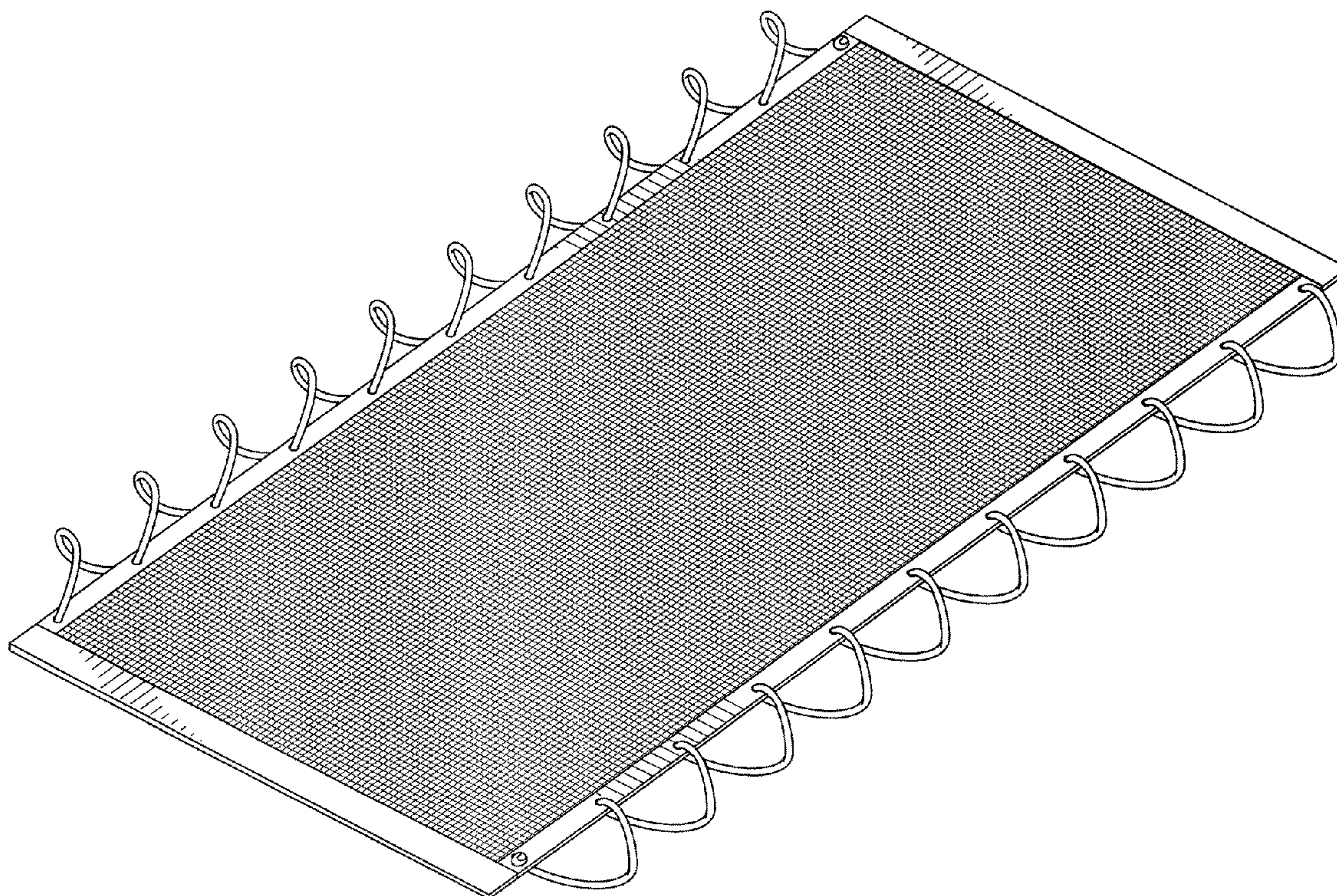
FIG. 6 is a right side view thereof;

FIG. 7 is a left side view thereof; and,

FIG. 8 is a front perspective view thereof, with the environment shown in broken lines.

The broken lines shown in the drawings are included for purposes of illustrating environment structure and form no part of the claimed design.

1 Claim, 6 Drawing Sheets



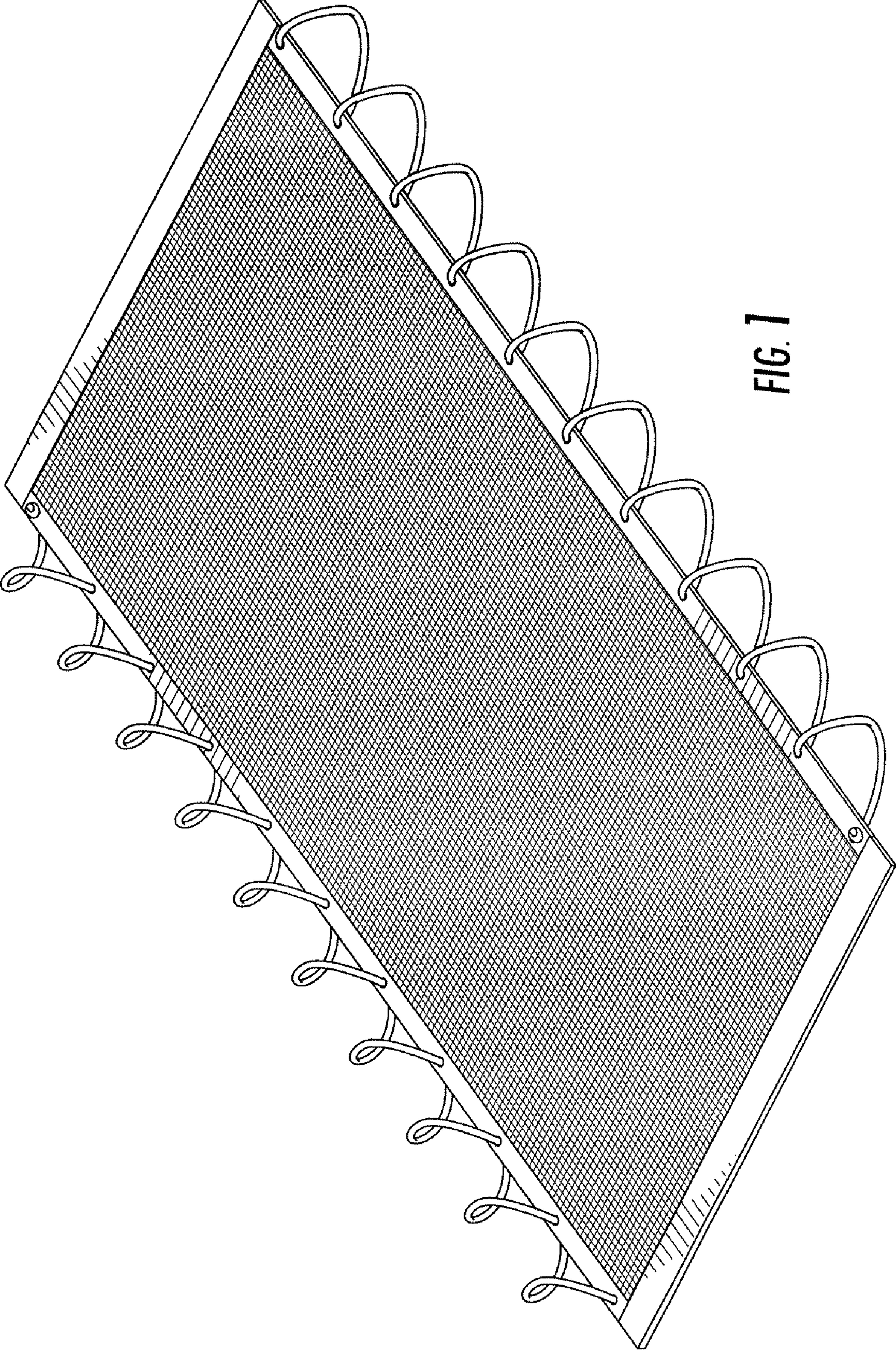


FIG. 1

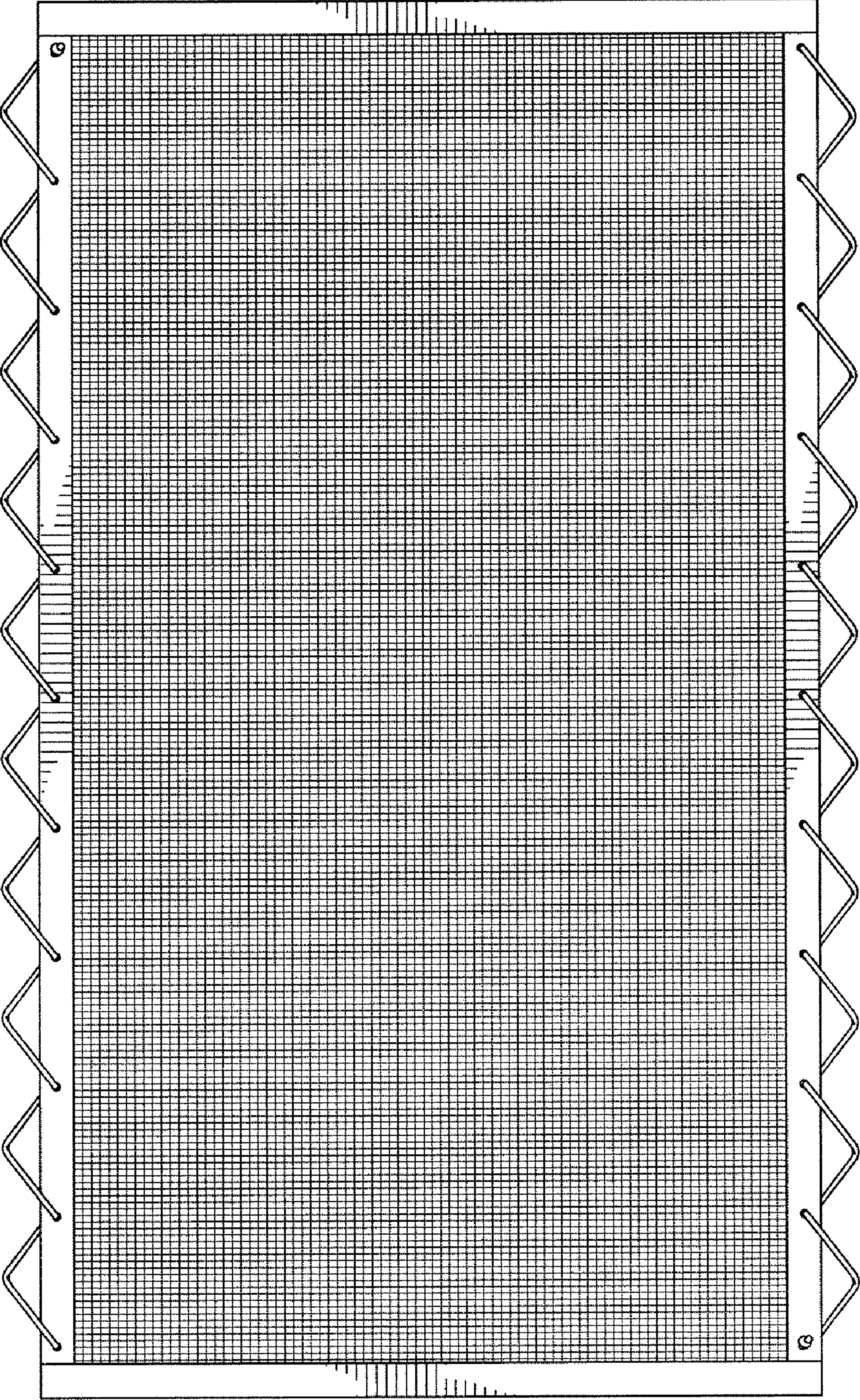


FIG. 2

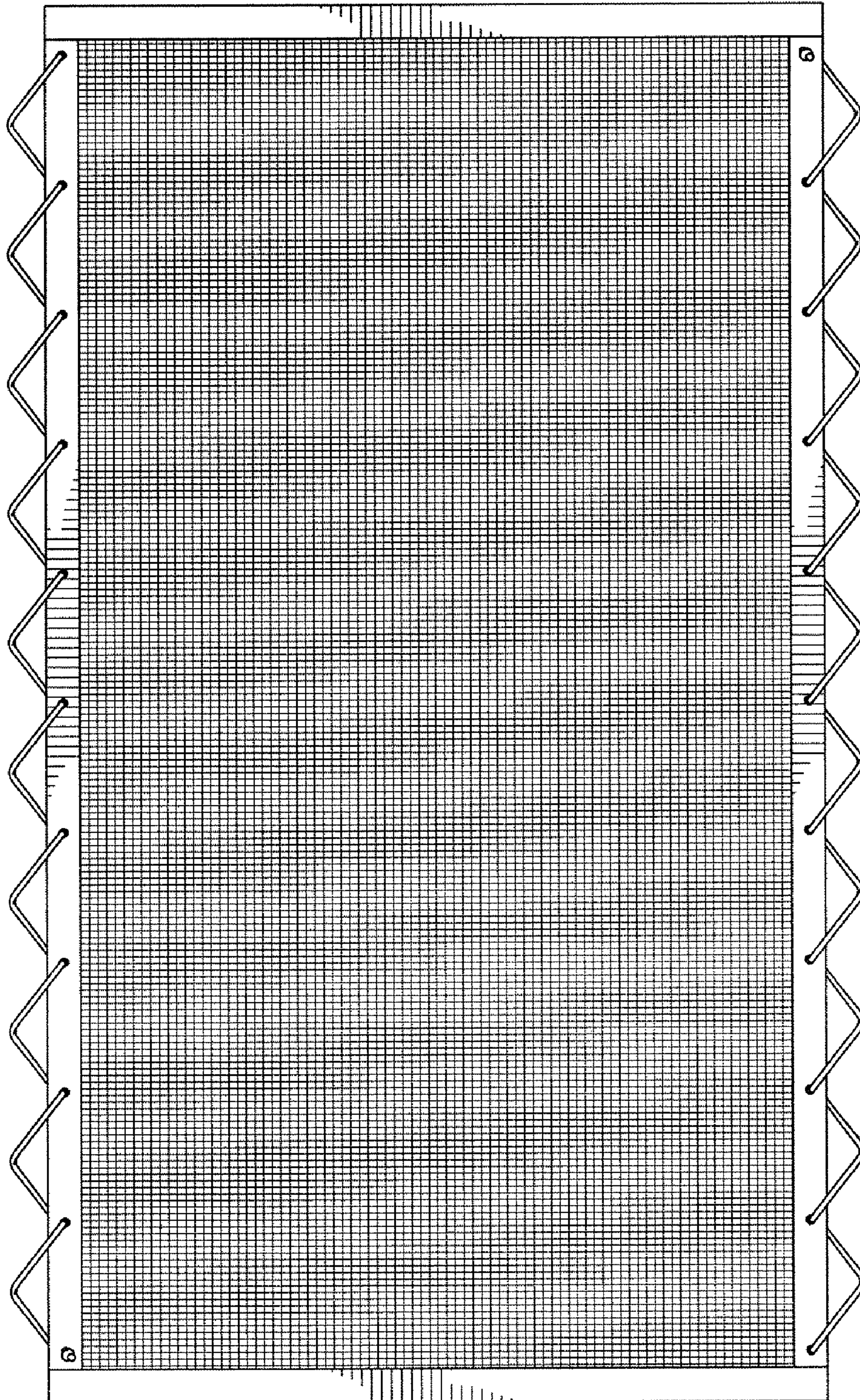


FIG. 3



FIG. 4



FIG. 5



FIG. 6



FIG. 7

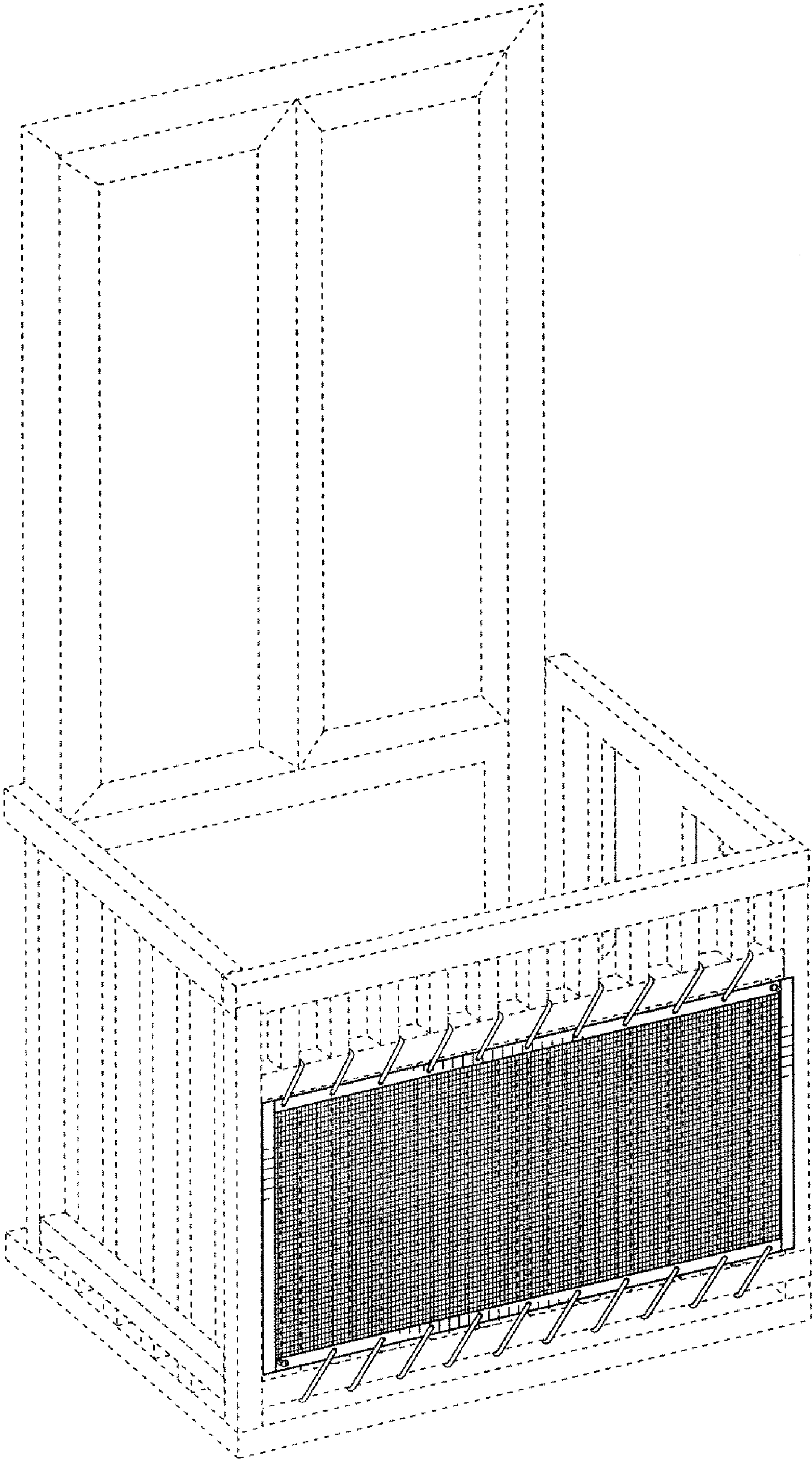


FIG. 8