



US00D653811S

(12) **United States Design Patent**
BenZion

(10) **Patent No.:** **US D653,811 S**

(45) **Date of Patent:** **** Feb. 7, 2012**

(54) **DEPILATORY DEVICE**

(75) Inventor: **Levi BenZion**, Kibbutz Habonim (IL)

(73) Assignee: **Home Skinovations Ltd.**, Yokneam (IL)

(**) Term: **14 Years**

(21) Appl. No.: **29/392,738**

(22) Filed: **May 26, 2011**

(51) **LOC (9) Cl.** **28-03**

(52) **U.S. Cl.** **D28/44.1; D24/133**

(58) **Field of Classification Search** 30/32, 34.05,
30/34.1-34.2, 30-31, 43-43.92, 44-45, 47-51,
30/77-84, 526-541, 346.5-346.61, 194-196,
30/198-205, 208-216, 233-233.5; D28/44-44.1,
D28/45-54, 7; D24/133, 146; 606/9, 131,
606/133; 607/96-100

See application file for complete search history.

(56) **References Cited**

U.S. PATENT DOCUMENTS

D535,746	S	*	1/2007	Grove et al.	D24/146
7,204,846	B2	*	4/2007	Suzuki	606/9
D589,650	S	*	3/2009	Adriaenssen	D28/44.1
D597,206	S	*	7/2009	Collins et al.	D24/133
D609,361	S	*	2/2010	McGarry et al.	D24/133

D620,200	S	*	7/2010	Belozerova et al.	D28/51
D620,643	S	*	7/2010	Teteak et al.	D28/50
D643,530	S	*	8/2011	Ramstad et al.	D24/133
2007/0198004	A1	*	8/2007	Altshuler et al.	606/9
2008/0119913	A1	*	5/2008	Powell et al.	606/9

* cited by examiner

Primary Examiner — Jennifer Rivard

(74) *Attorney, Agent, or Firm* — Dekel Patent Ltd.; David Klein

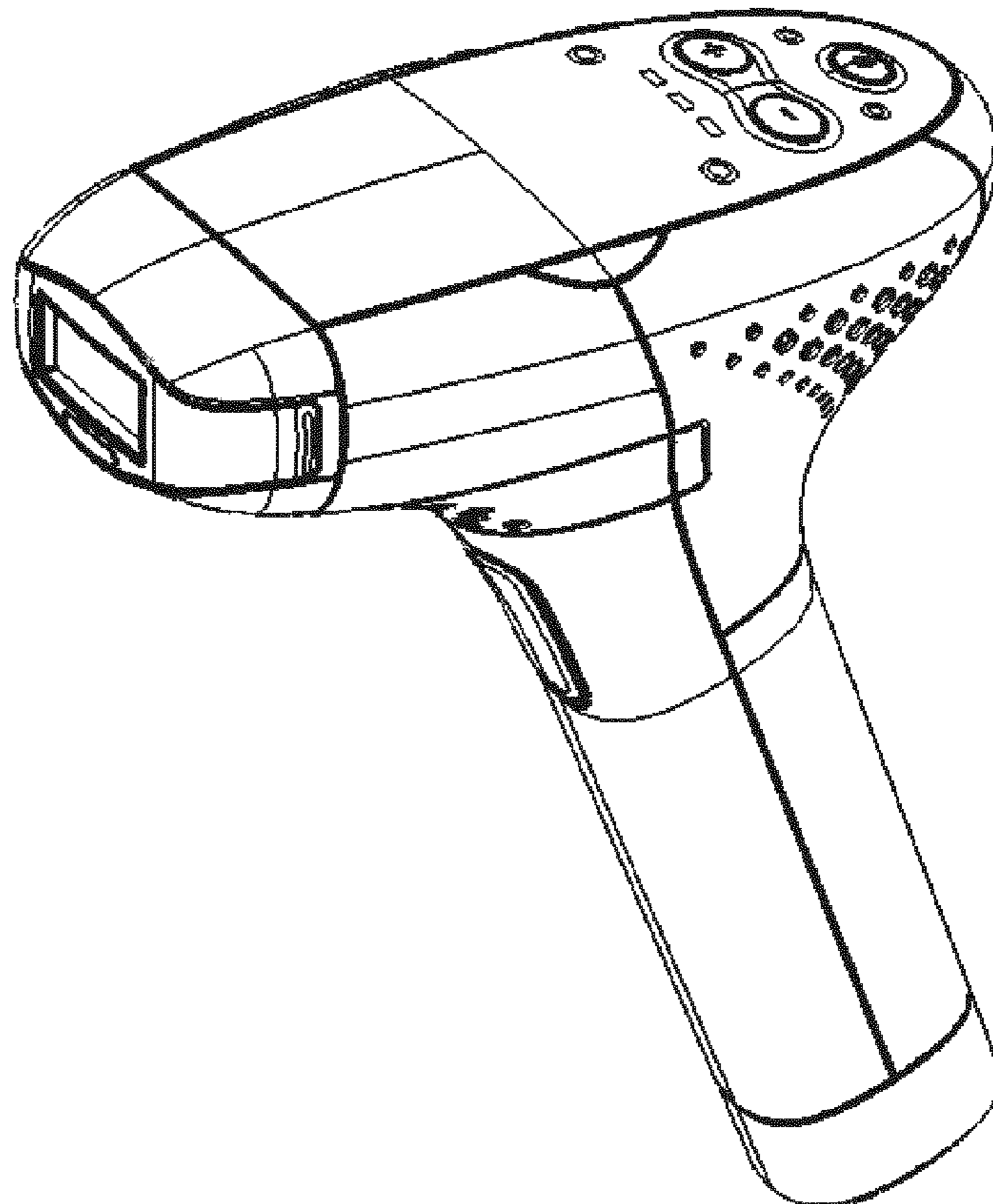
(57) **CLAIM**

The ornamental design for a depilatory device, as shown and described.

DESCRIPTION

FIG. 1 is a front perspective view of a depilatory device, showing my new design;
FIG. 2 is a side view thereof;
FIG. 3 is a top view thereof;
FIG. 4 is a rear view thereof;
FIG. 5 is a front view thereof; and,
FIG. 6 is a rear perspective view thereof.
The nature and intended use of the article in which the design is embodied is that of a depilatory device, used for hair removal.

1 Claim, 6 Drawing Sheets



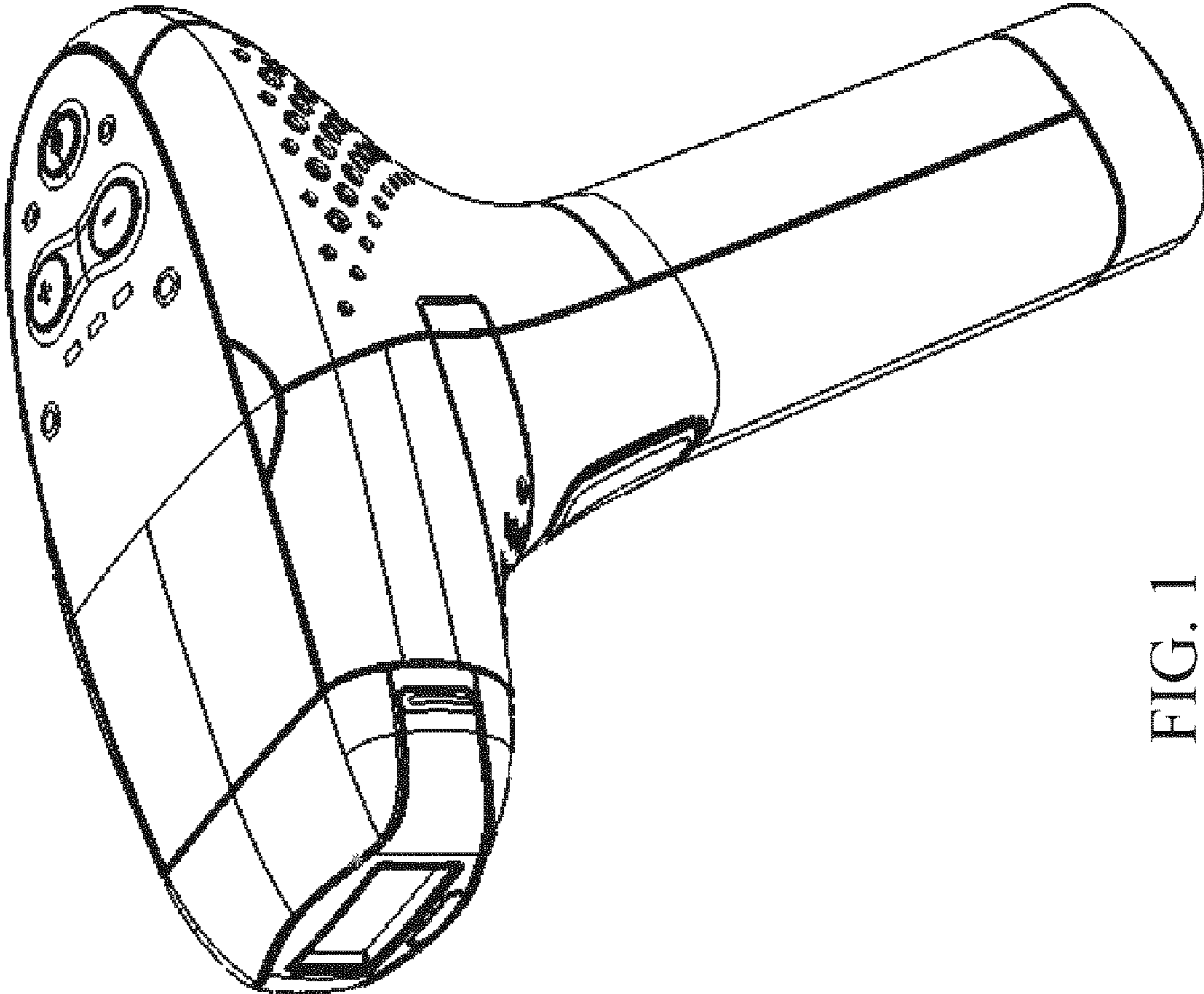


FIG. 1

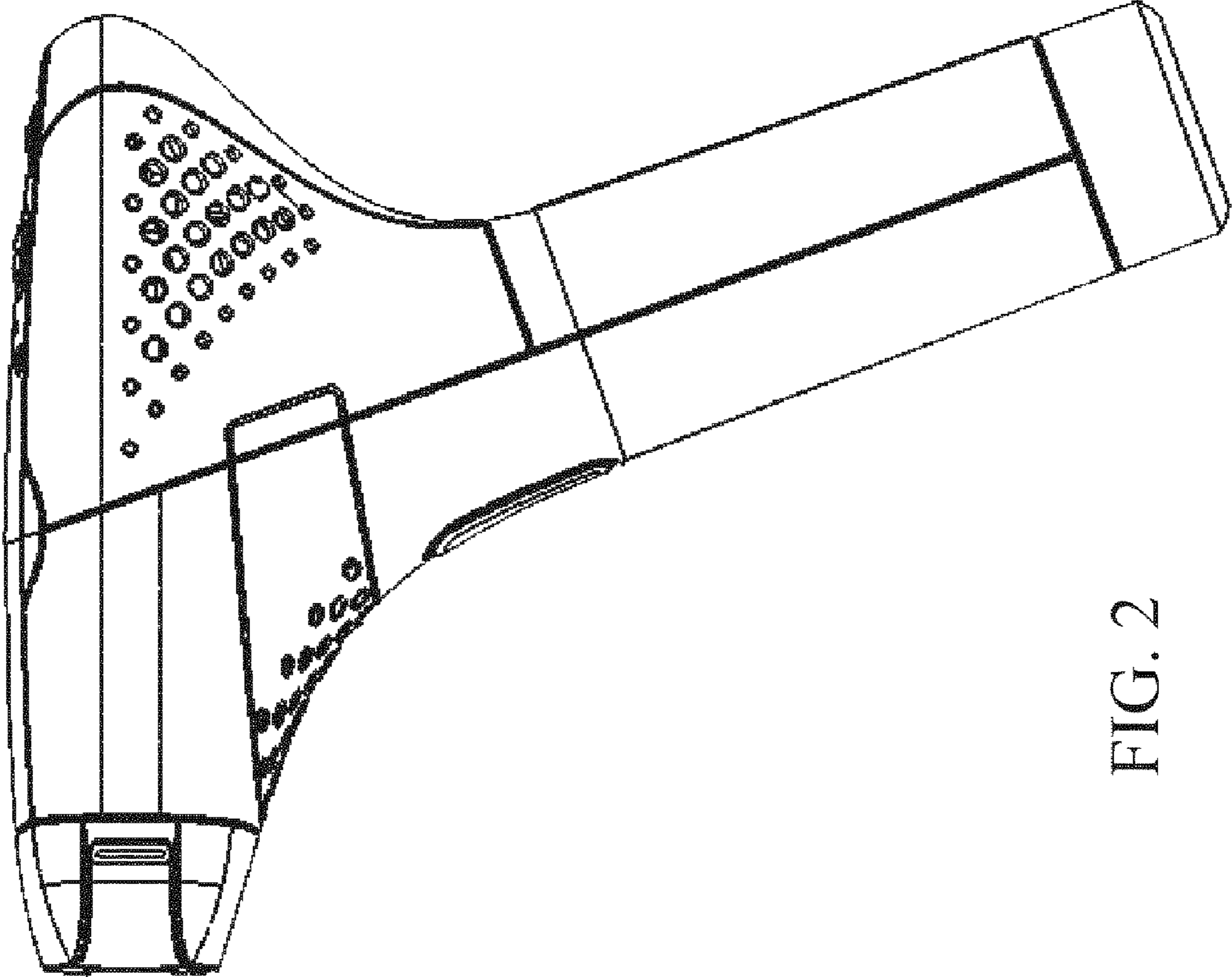


FIG. 2

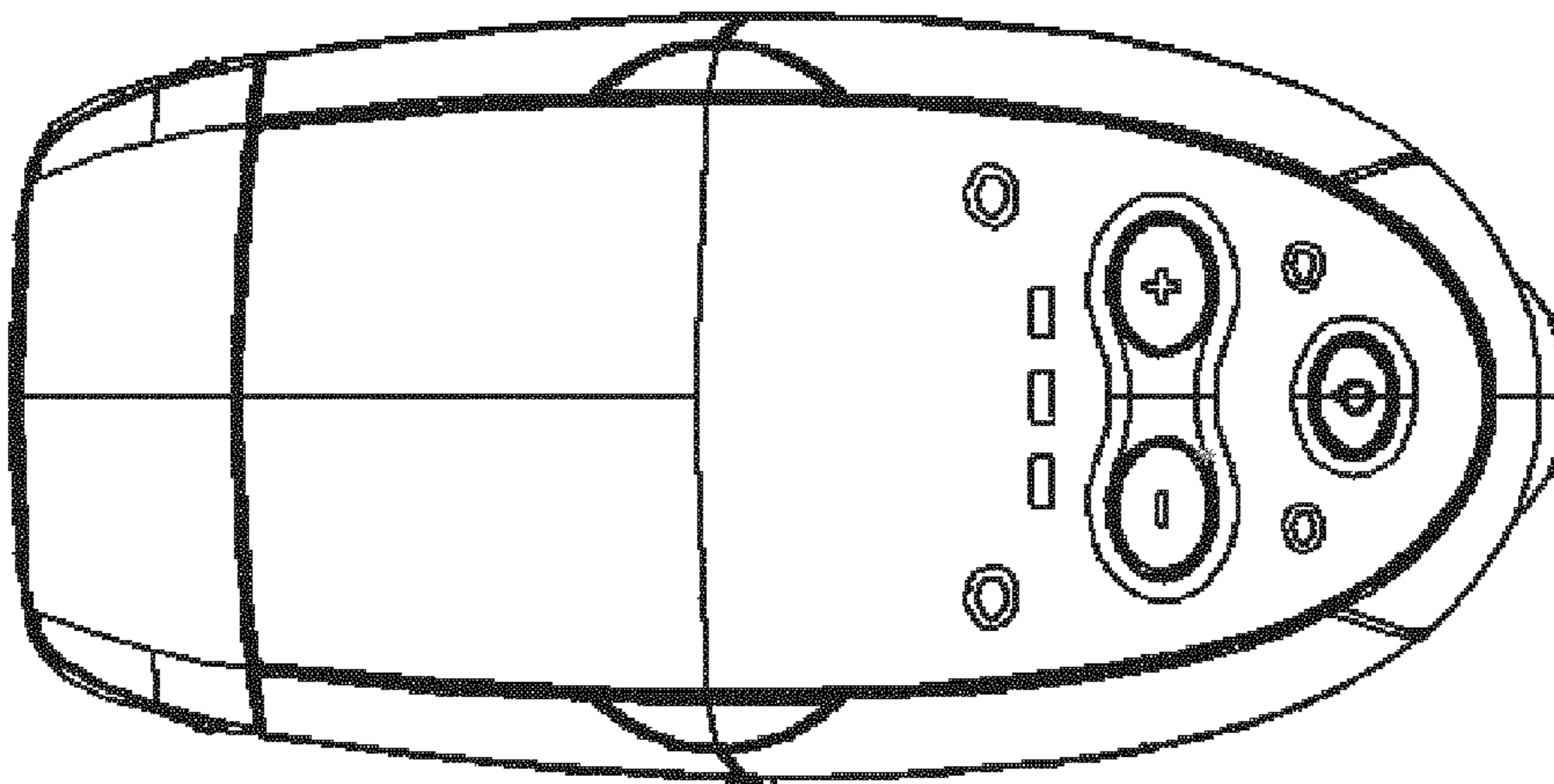


FIG. 3

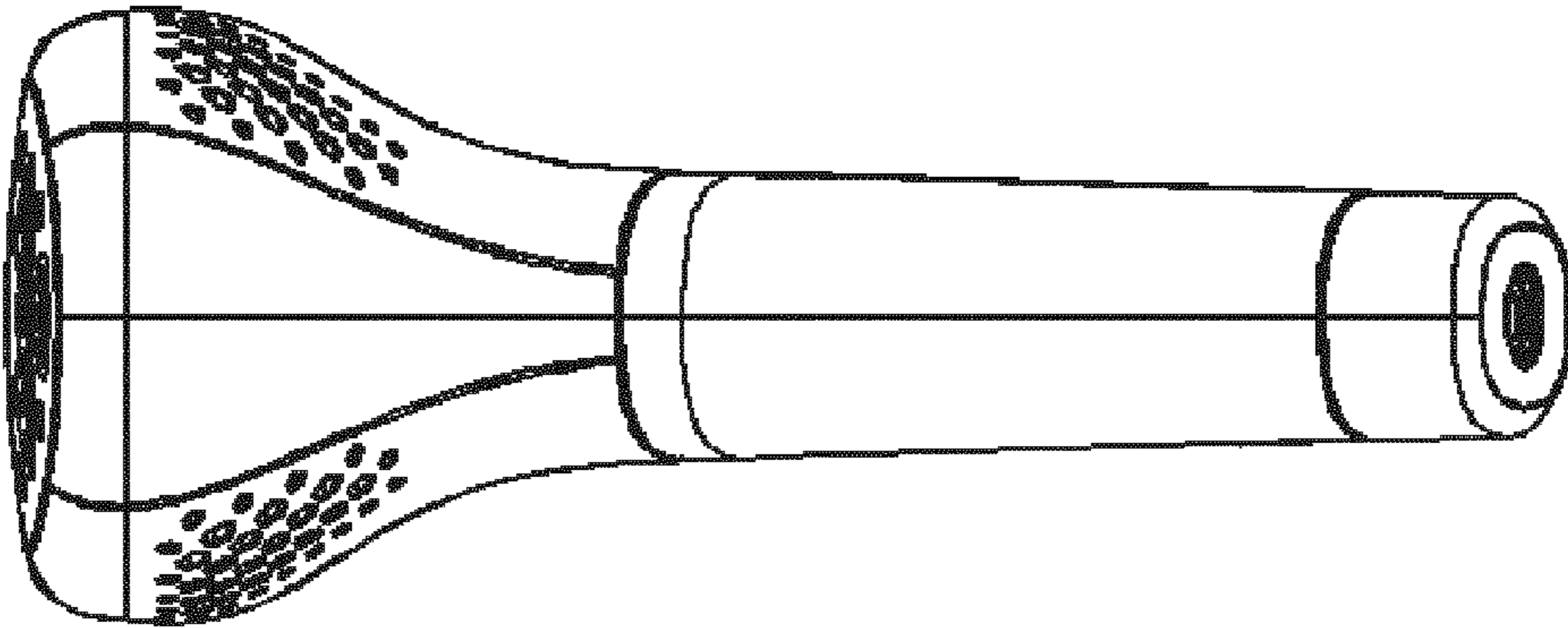


FIG. 4

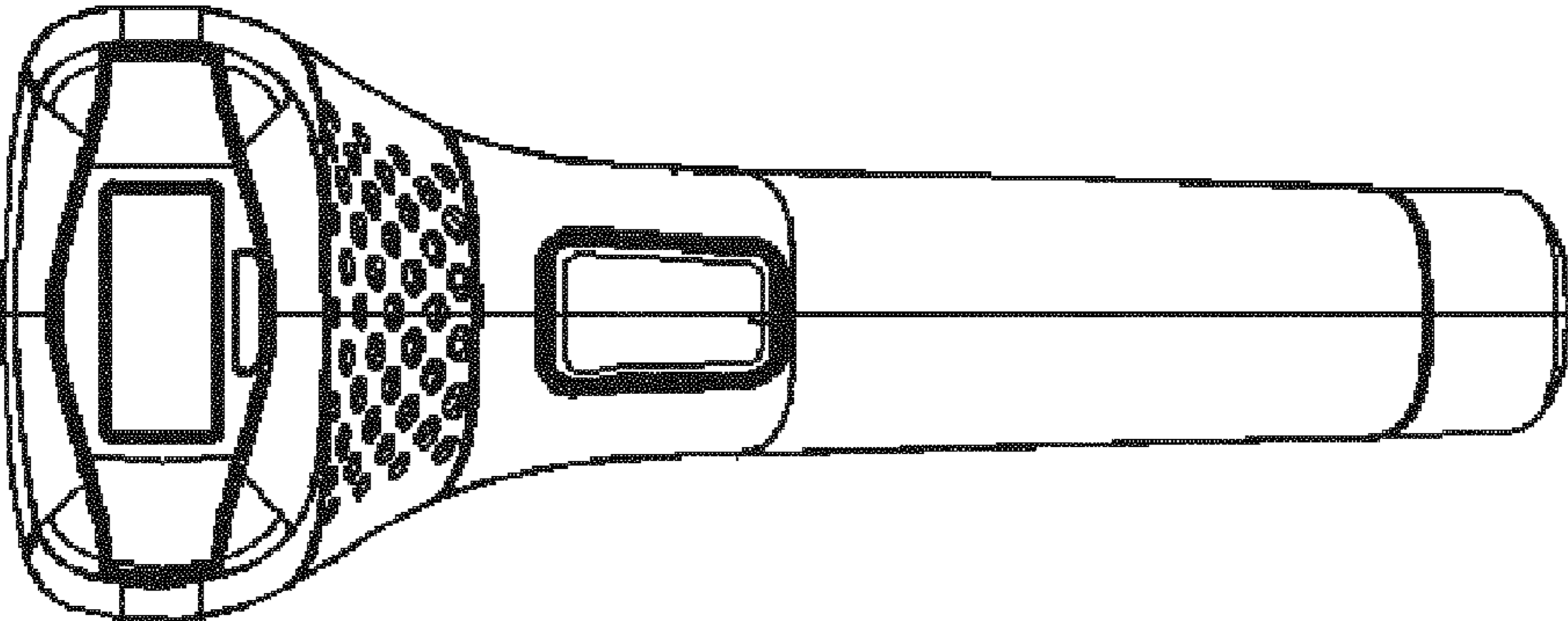


FIG. 5

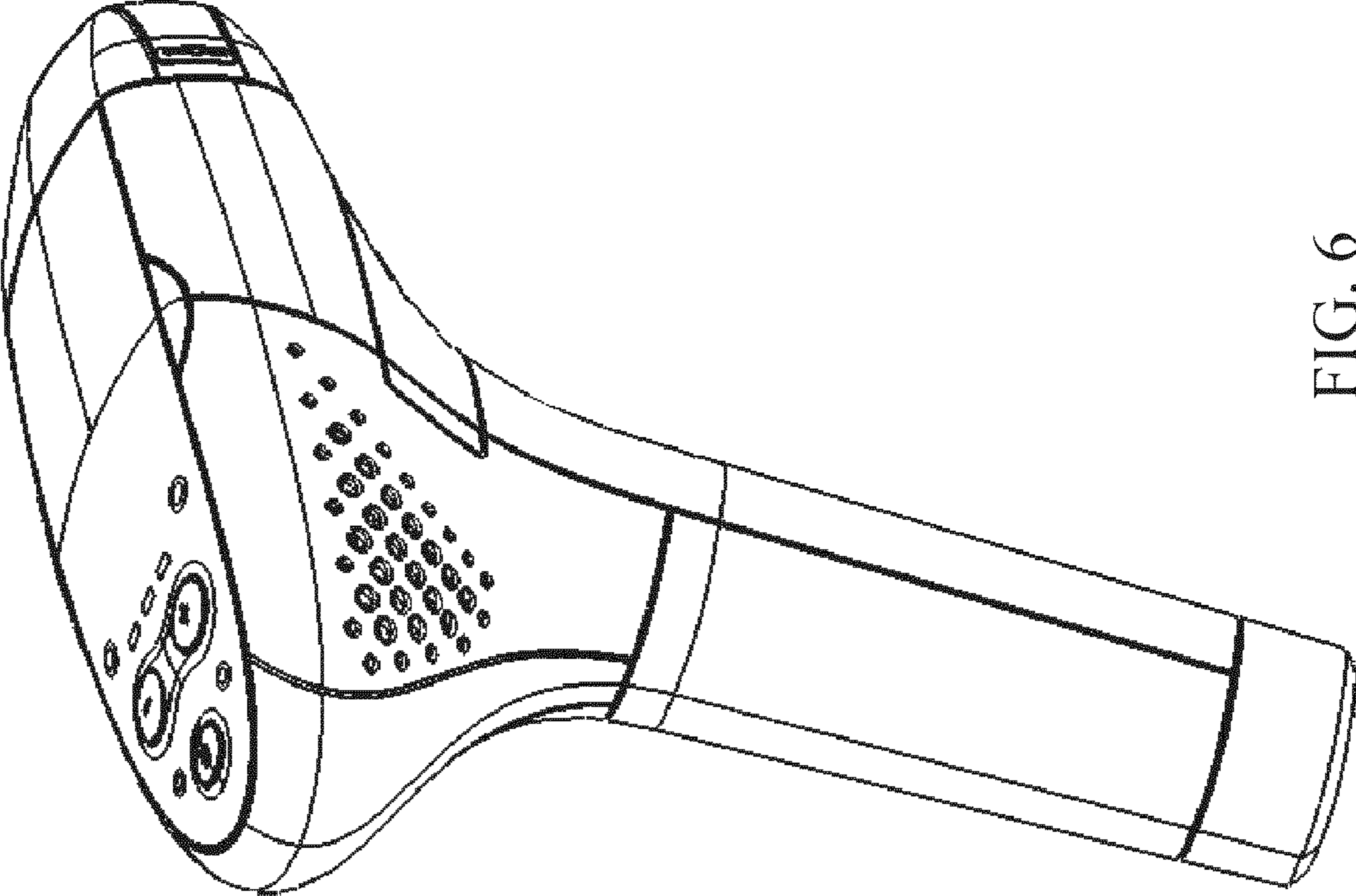


FIG. 6