



US00D653809S

(12) **United States Design Patent**
Gelin

(10) **Patent No.:** **US D653,809 S**

(45) **Date of Patent:** **** Feb. 7, 2012**

(54) **SOAP**

(76) Inventor: **Marie Gelin**, Fairburn, GA (US)

(**) Term: **14 Years**

(21) Appl. No.: **29/392,402**

(22) Filed: **May 20, 2011**

(51) **LOC (9) Cl.** **28-02**

(52) **U.S. Cl.** **D28/8.2; D21/712**

(58) **Field of Classification Search** 510/133,
510/141-156, 440, 129; D3/238, 271.9,
D3/257; D21/712; 248/686; 401/8, 88;
D28/8.1-8.2

See application file for complete search history.

(56) **References Cited**

U.S. PATENT DOCUMENTS

D106,976	S	*	11/1937	Hokerk	D28/8.1
2,182,293	A	*	12/1939	Hokerk	248/686
3,160,523	A	*	12/1964	Hull	510/143
3,251,571	A	*	5/1966	Ernest	401/88
3,519,568	A	*	7/1970	Needleman	510/140
D372,340	S	*	7/1996	Wendel	D28/8.1
D394,348	S	*	5/1998	Aliff	D3/238
D478,240	S	*	8/2003	Tung	D3/270
D505,594	S	*	5/2005	Minor et al.	D3/271.9
D521,727	S	*	5/2006	Albini	D3/238
D533,238	S	*	12/2006	Chang	D21/712
D551,721	S	*	9/2007	Cooper	D21/712
2010/0279907	A1	*	11/2010	Gelin	510/129

* cited by examiner

Primary Examiner — Jennifer Rivard

(74) *Attorney, Agent, or Firm* — Seldon & Scillieri

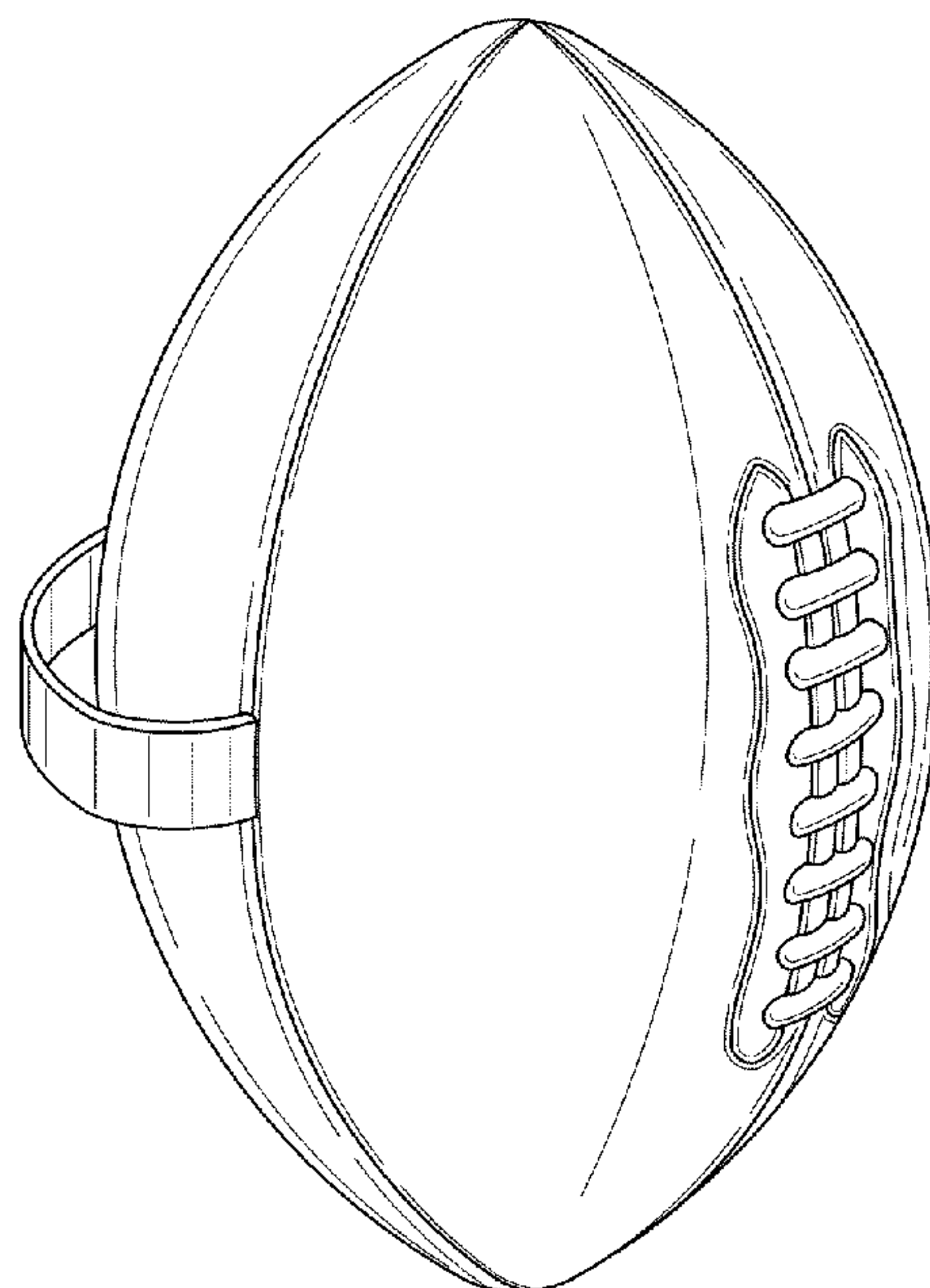
(57) **CLAIM**

The ornamental design for soap, as shown and described.

DESCRIPTION

FIG. 1 is left front perspective view a soap design constructed in accordance with the invention;
 FIG. 2 is a front elevation view of the soap design illustrated in FIG. 1;
 FIG. 3 is a top plan view of the soap design illustrated in FIG. 1, a bottom plan view being a mirror image thereof;
 FIG. 4 is a left side elevation view of the soap design illustrated in FIG. 1, a right side elevation view being a mirror image thereof;
 FIG. 5 is a rear elevation view of the soap design illustrated in FIG. 1; and
 FIG. 6 is a left front perspective view an alternative embodiment of the soap design of FIG. 1;
 FIG. 7 is a front elevation view of the soap design illustrated in FIG. 6;
 FIG. 8 is a top plan view of the soap design illustrated in FIG. 6, a bottom plan view being a mirror image thereof;
 FIG. 9 is a left side elevation view of the soap design illustrated in FIG. 6, a right side elevation view being a mirror image thereof; and,
 FIG. 10 is a rear elevation view of the soap design illustrated in FIG. 6.

1 Claim, 4 Drawing Sheets



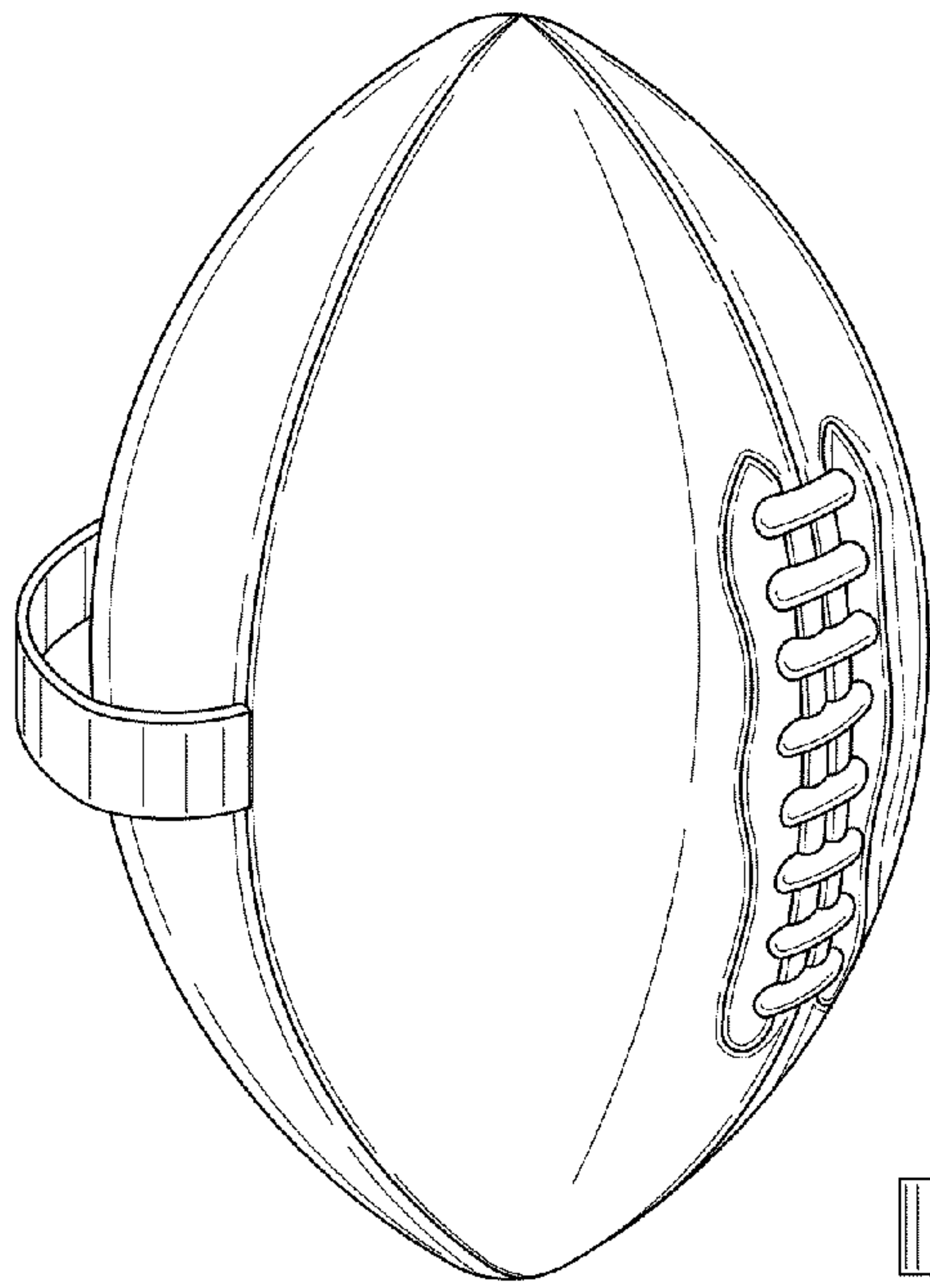


FIG. 1

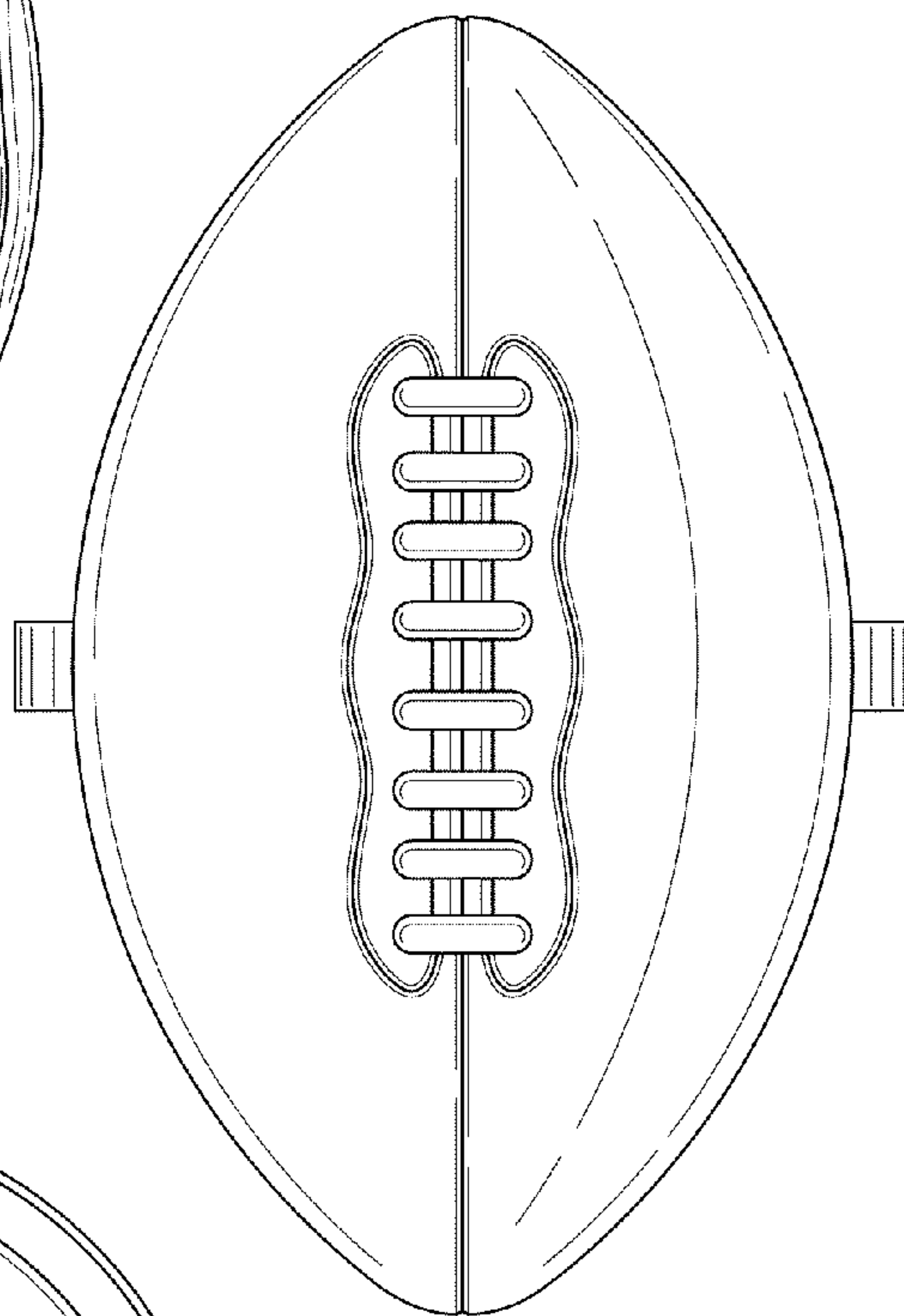


FIG. 2

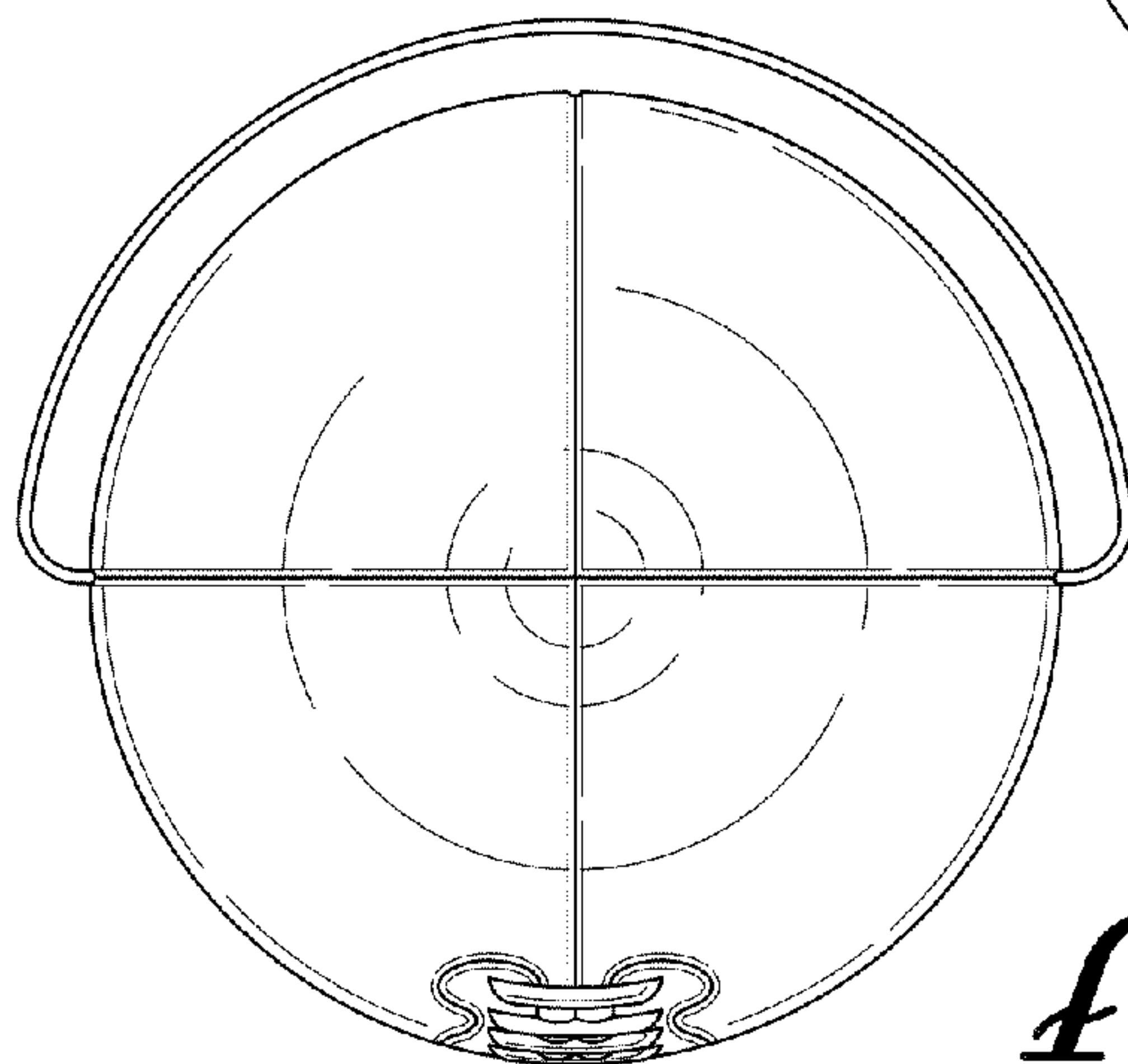


FIG. 3

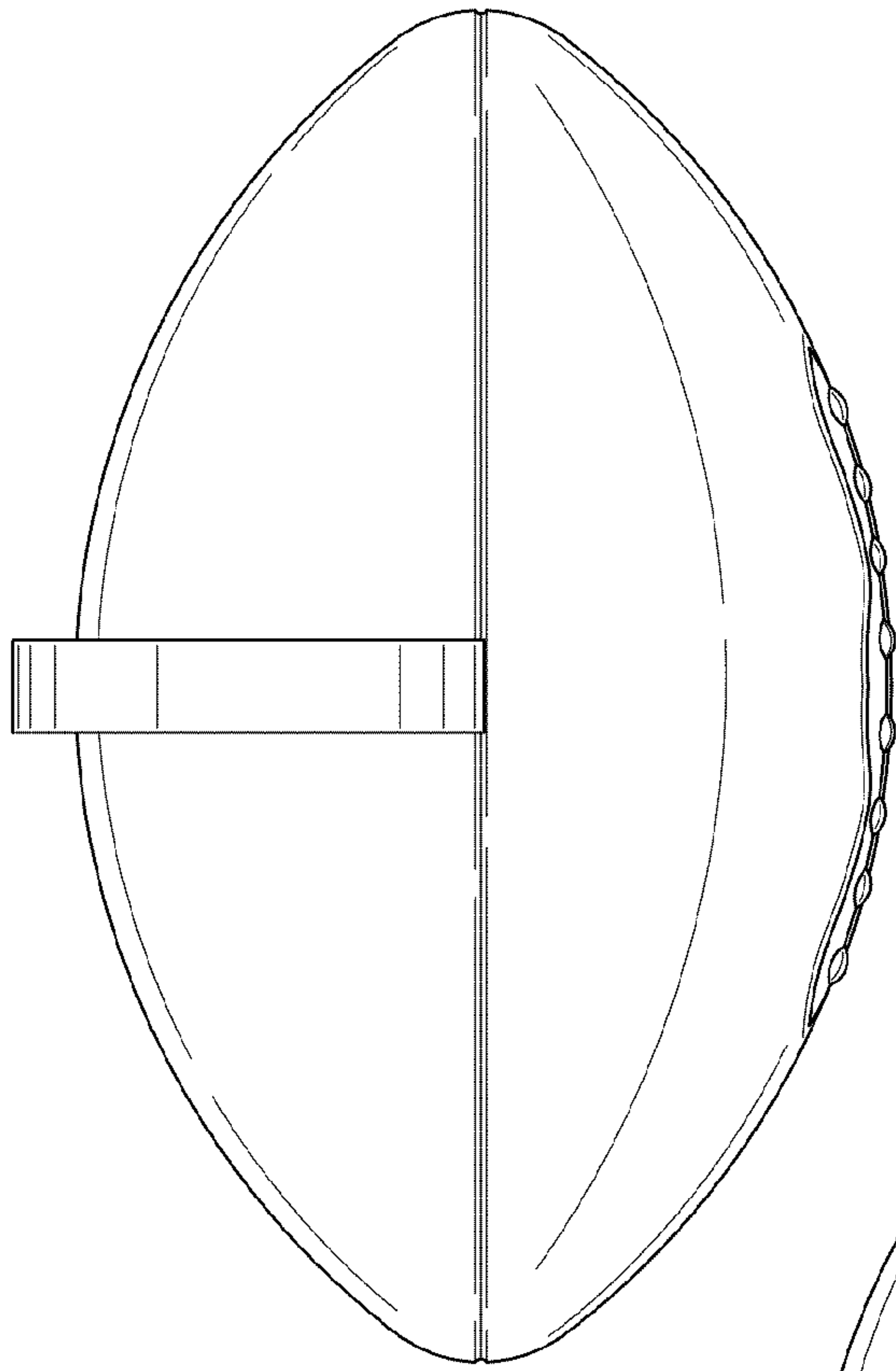


FIG. 4

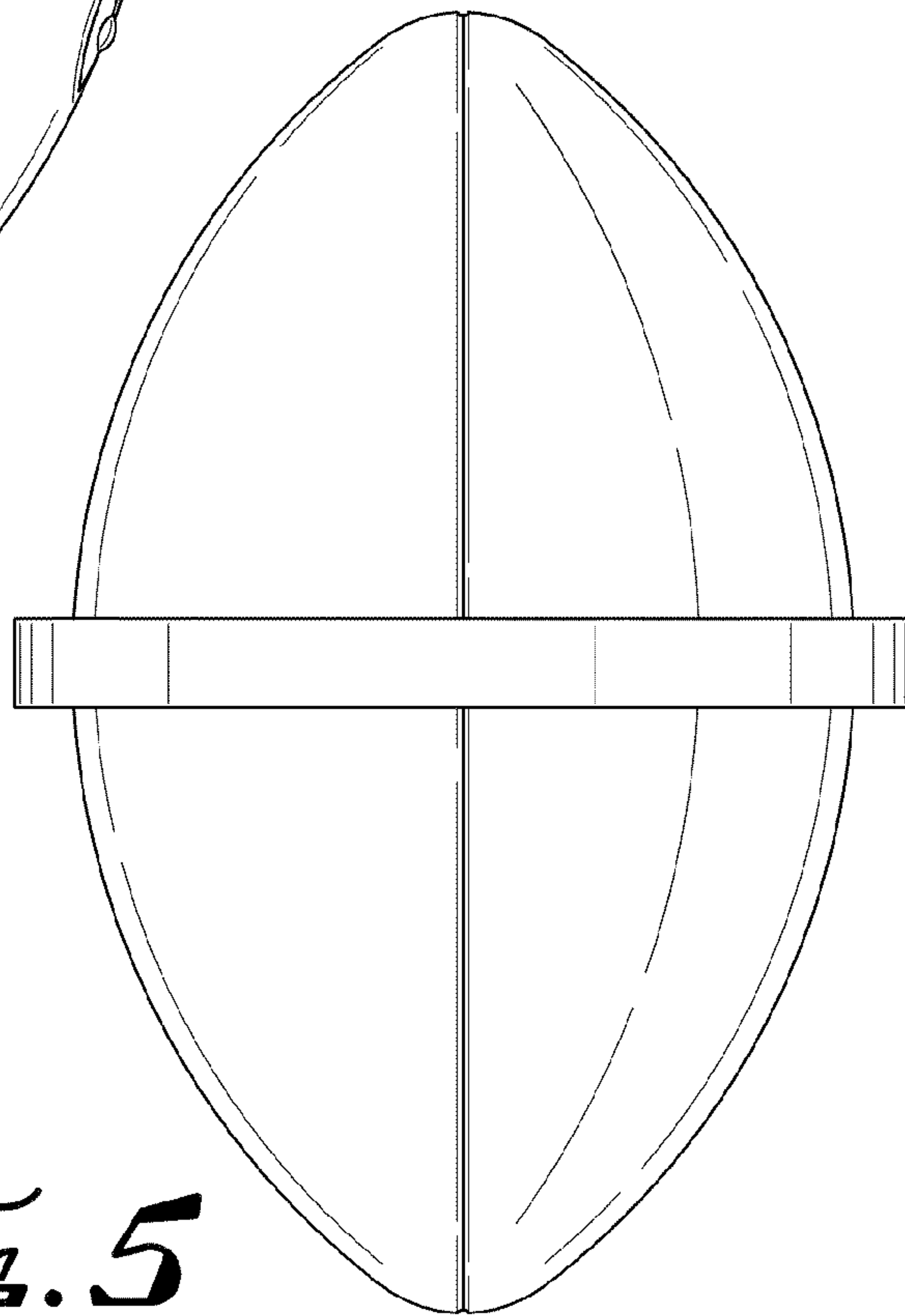


FIG. 5

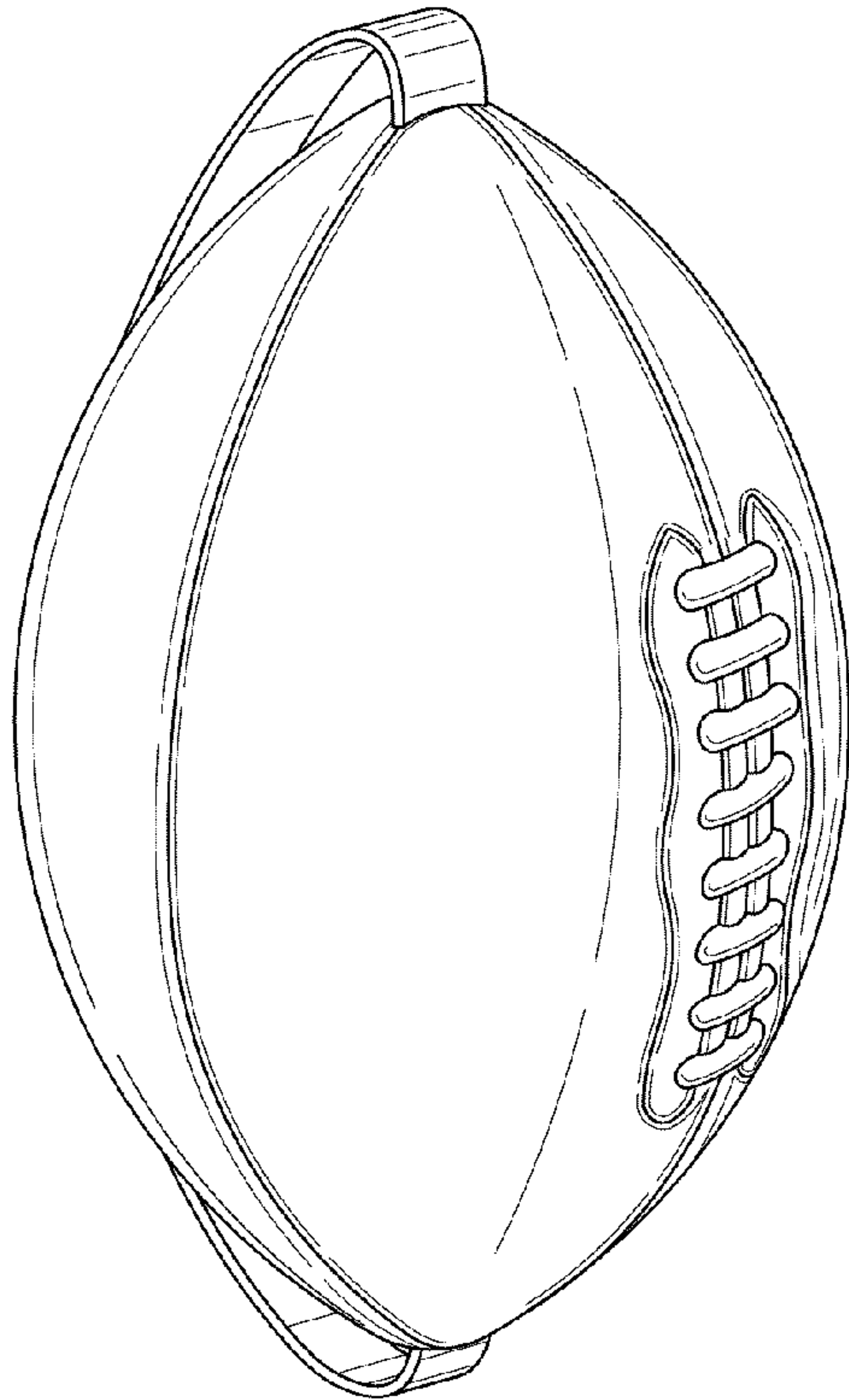


FIG. 6

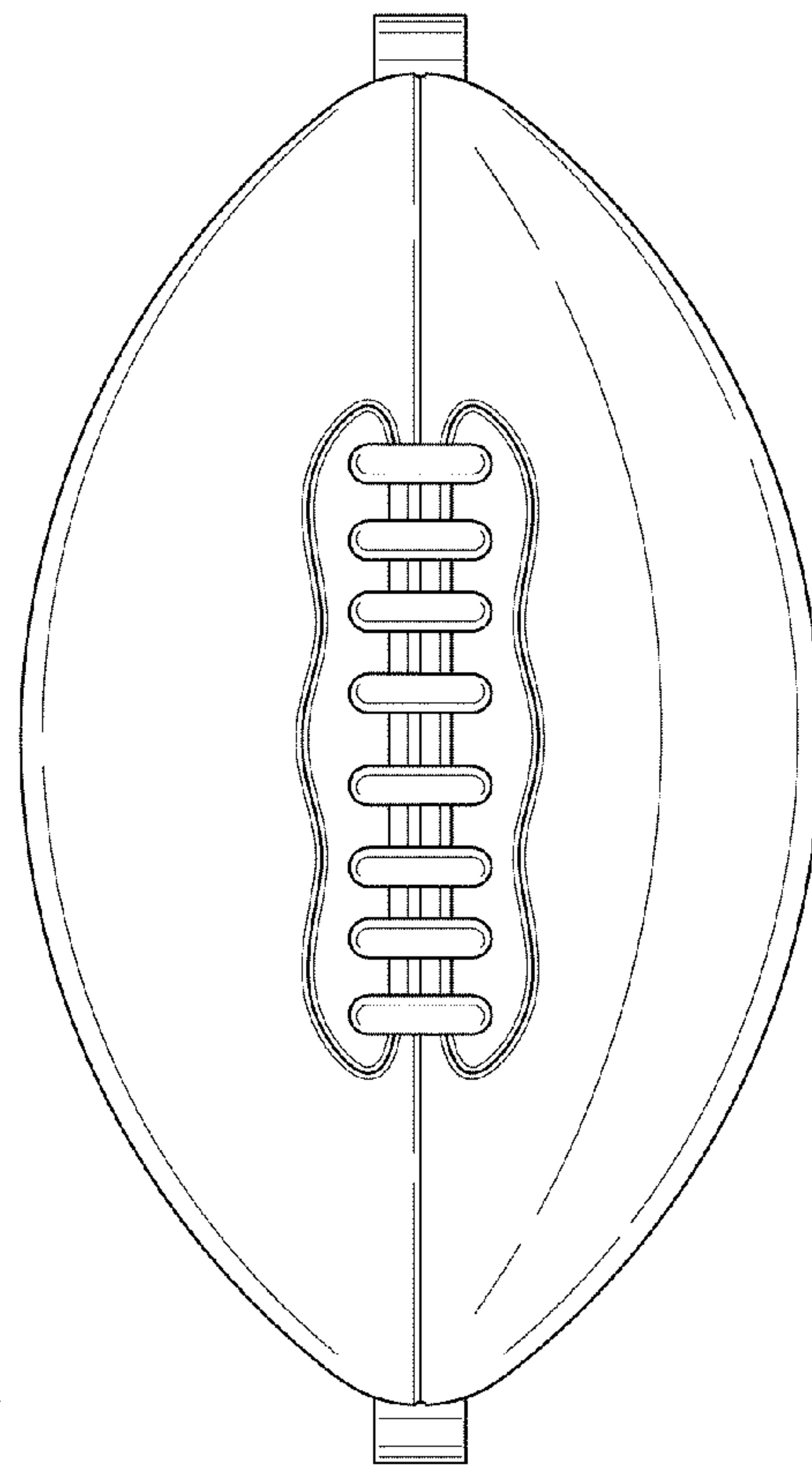


FIG. 7

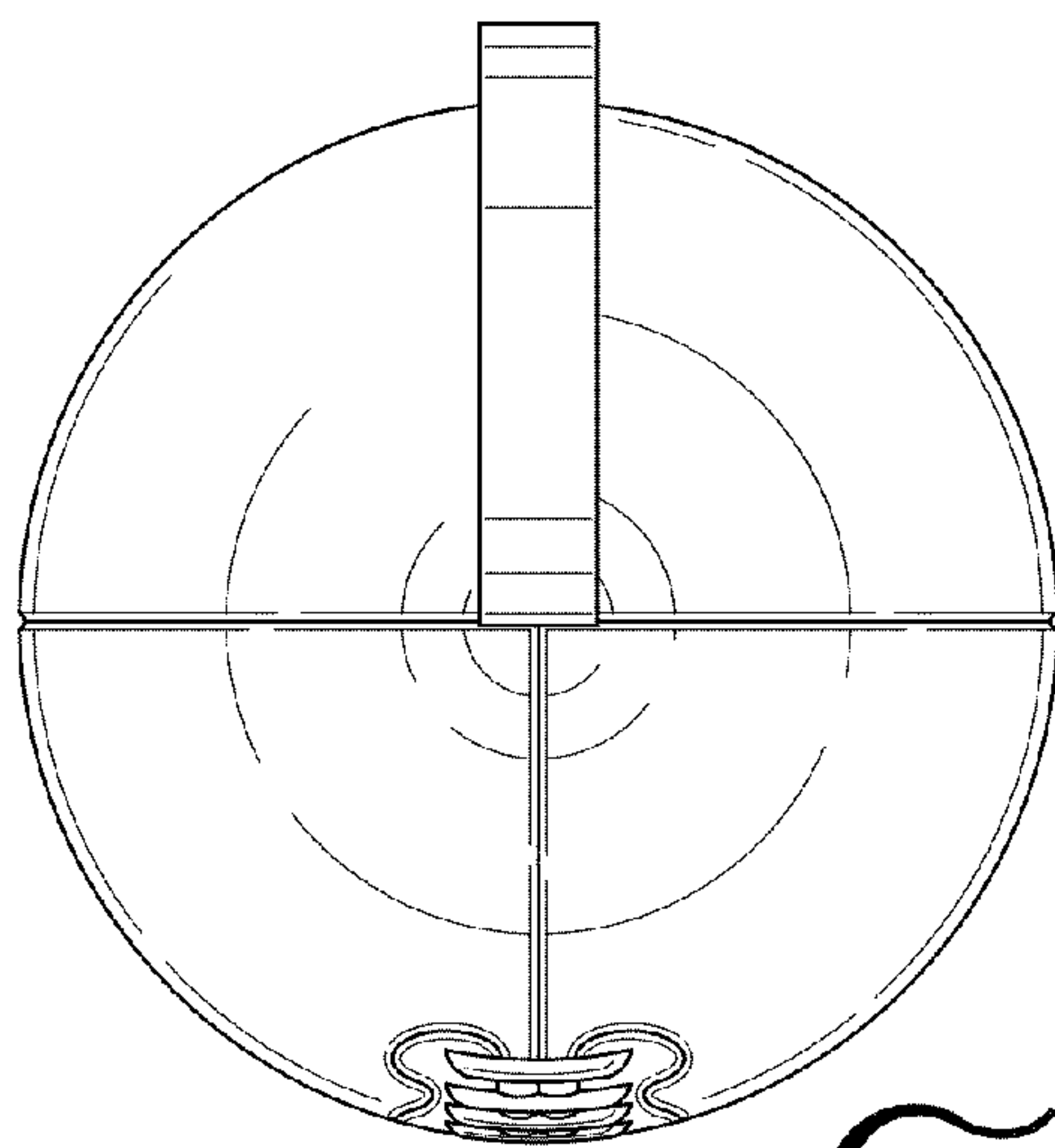


FIG. 8

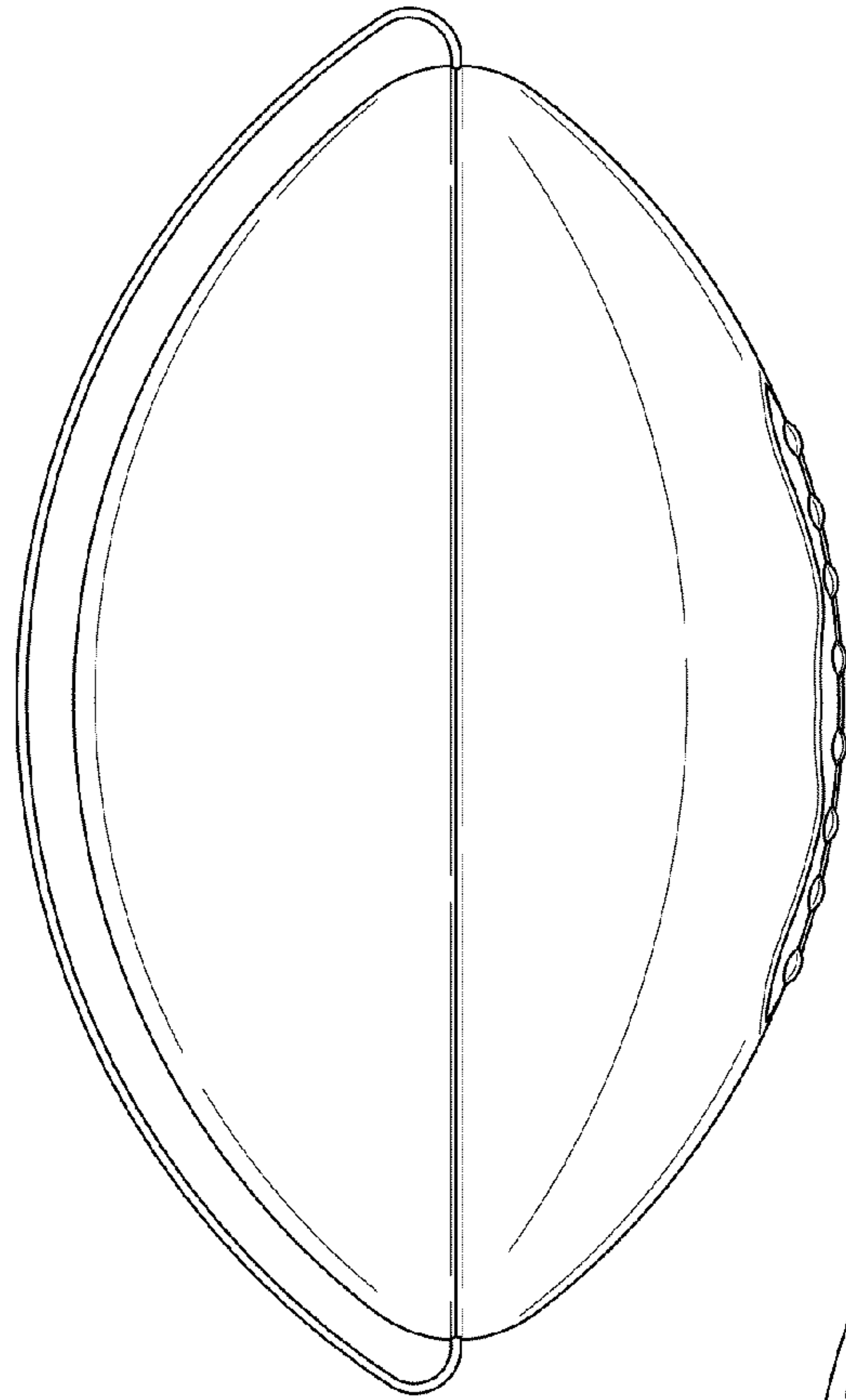


FIG. 9

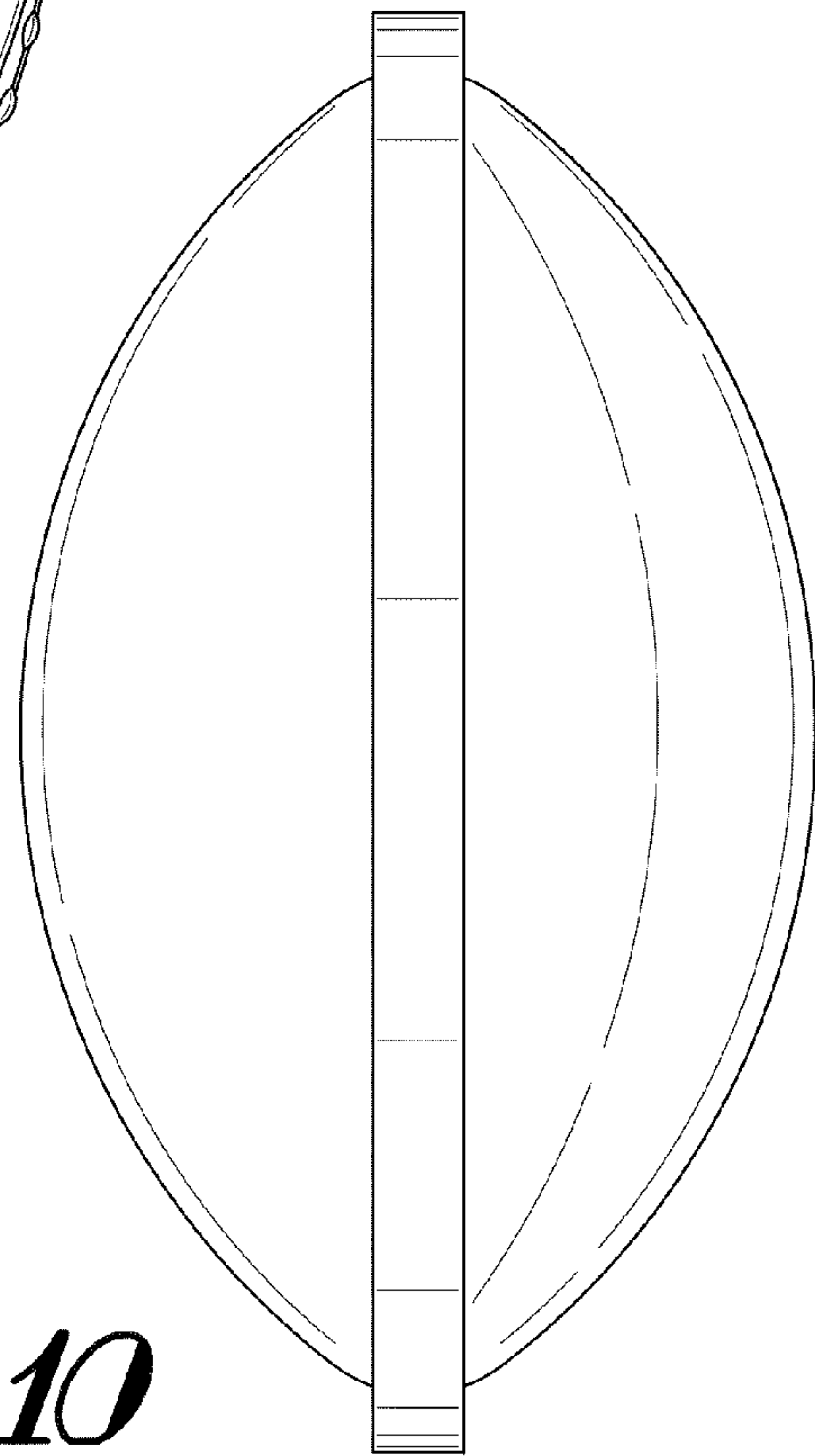


FIG. 10