



US00D653806S

(12) **United States Design Patent**
Bewick-Lieffort

(10) **Patent No.:** **US D653,806 S**

(45) **Date of Patent:** **** Feb. 7, 2012**

(54) **TELESCOPING LOTION APPLICATOR
HAVING PIVOTABLE HEAD**

(76) **Inventor:** **Laura Bewick-Lieffort**, Vero Beach, FL
(US)

(**) **Term:** **14 Years**

(21) **Appl. No.:** **29/394,343**

(22) **Filed:** **Jun. 15, 2011**

(51) **LOC (9) Cl.** **28-02**

(52) **U.S. Cl.** **D28/7**

(58) **Field of Classification Search** D28/7,
D28/8, 20-22, 30-31, 76, 85, 99; 132/108,
132/202, 208, 317, 320; 401/202-207, 261-267;
D4/132-135; D24/119

See application file for complete search history.

(56) **References Cited**

U.S. PATENT DOCUMENTS

| | | | | | | |
|-----------|---|---|---------|----------------|-------|---------|
| 5,388,700 | A | * | 2/1995 | Per-Lee | | 206/581 |
| D394,108 | S | * | 5/1998 | Ebert | | D24/119 |
| D401,326 | S | * | 11/1998 | Powell et al. | | D24/119 |
| D404,125 | S | * | 1/1999 | Weinstein | | D24/119 |
| D552,792 | S | * | 10/2007 | Bargiel et al. | | D28/7 |
| D587,844 | S | * | 3/2009 | Slavin et al. | | D28/7 |
| D613,906 | S | * | 4/2010 | Moyer | | D28/7 |
| D636,934 | S | * | 4/2011 | Chen | | D28/7 |

* cited by examiner

Primary Examiner — Zenia Bennett

(57) **CLAIM**

The ornamental design for a telescoping lotion applicator having a pivotable head, as shown and described.

DESCRIPTION

FIG. 1 is a front perspective view of the present invention wherein the retractable cover for the applicator portion of the head is retracted and wherein the handle is in the extended position;

FIG. 2 is a front perspective view of the present invention wherein the retractable cover for the applicator portion of the head is deployed so as to cover the applicator portion and wherein the handle is in the extended position;

FIG. 3 is a rear view of the present invention wherein the handle is in a collapsed position;

FIG. 4 is a front view of the present invention wherein the handle is in a collapsed position and the retractable cover is retracted into the head;

FIG. 5 is a front view of the present invention wherein the handle is in an extended position and the retractable cover is retracted into the head;

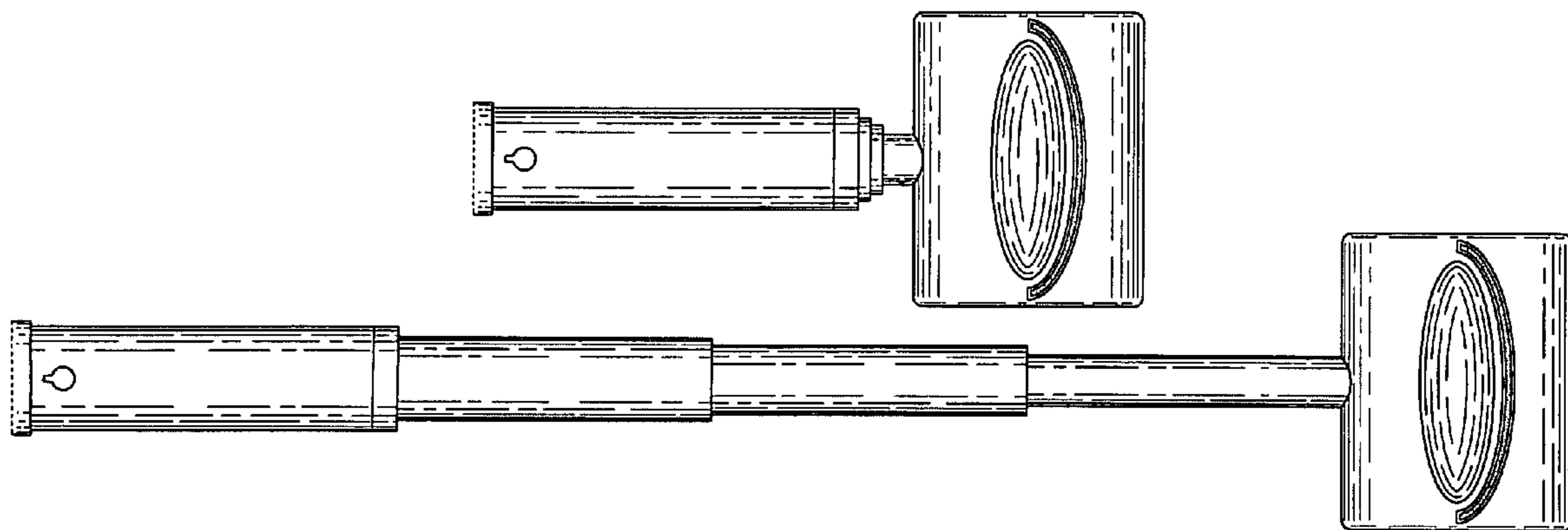
FIG. 6 is a front side view of the present invention wherein the handle is in an extended position and the retractable cover is in a deployed position;

FIG. 7 is a right side view of the present invention wherein the handle is in a collapsed position; and,

FIG. 8 is a top view of the present invention.

The broken lines in the drawing are for illustrative purposes only and form no part of the claimed design.

1 Claim, 3 Drawing Sheets



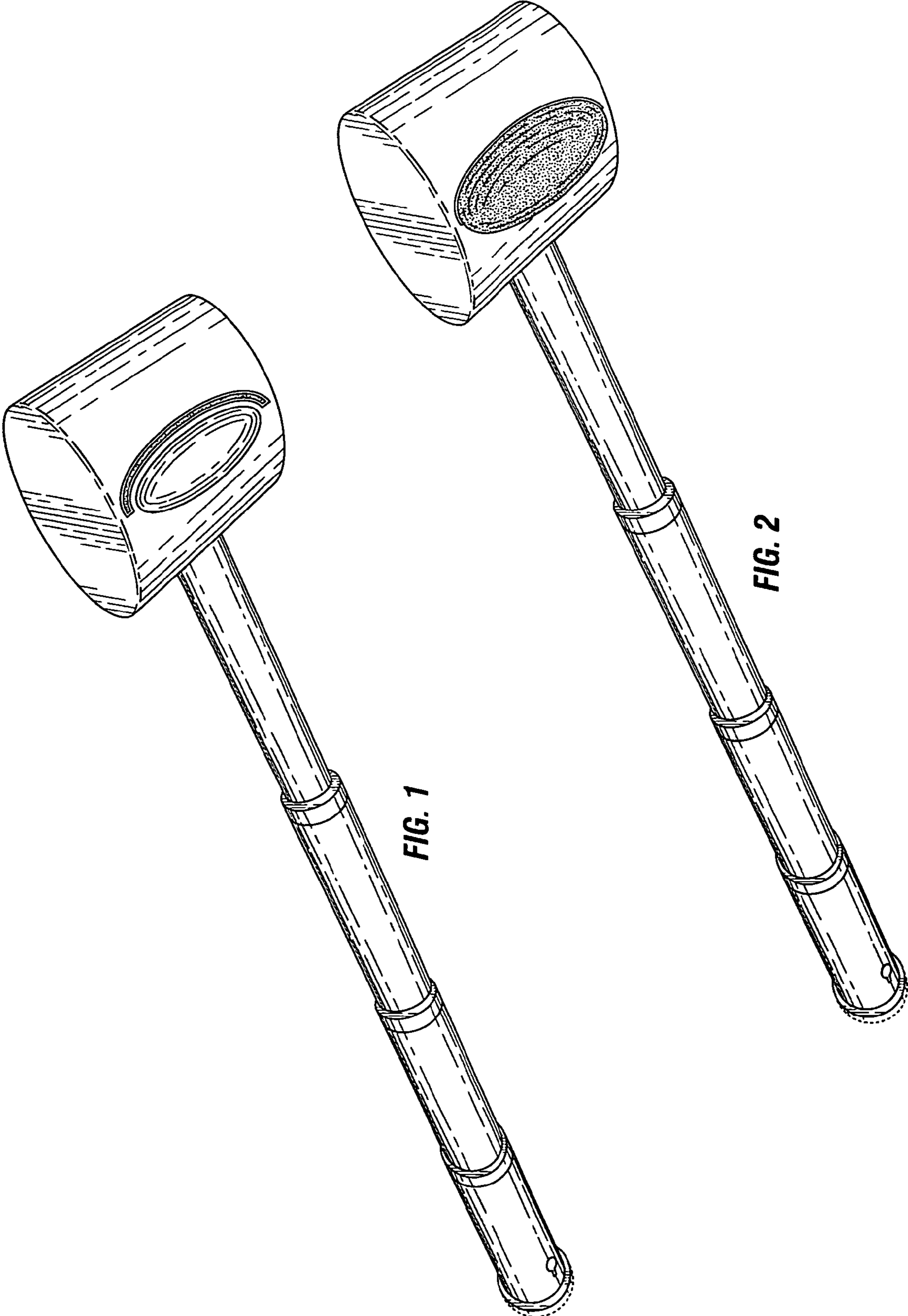


FIG. 1

FIG. 2

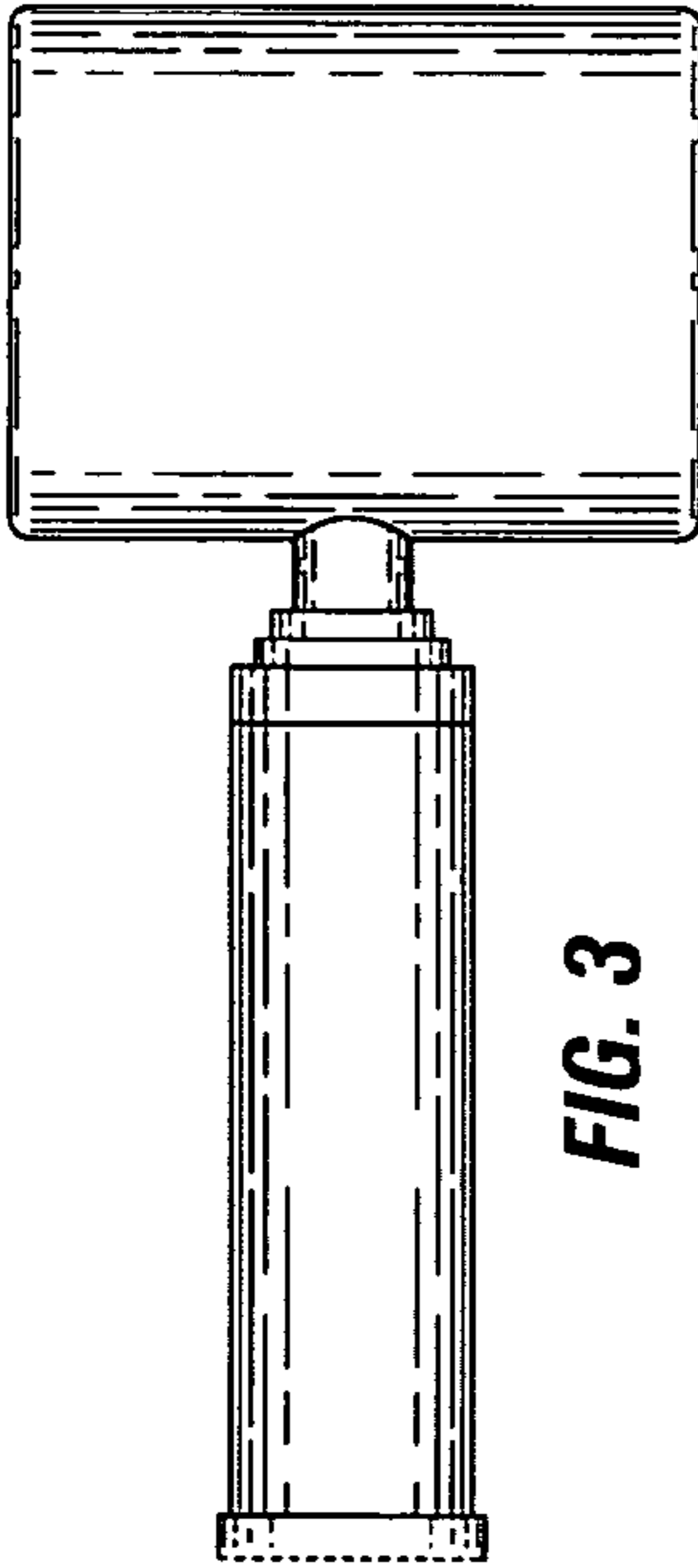


FIG. 3

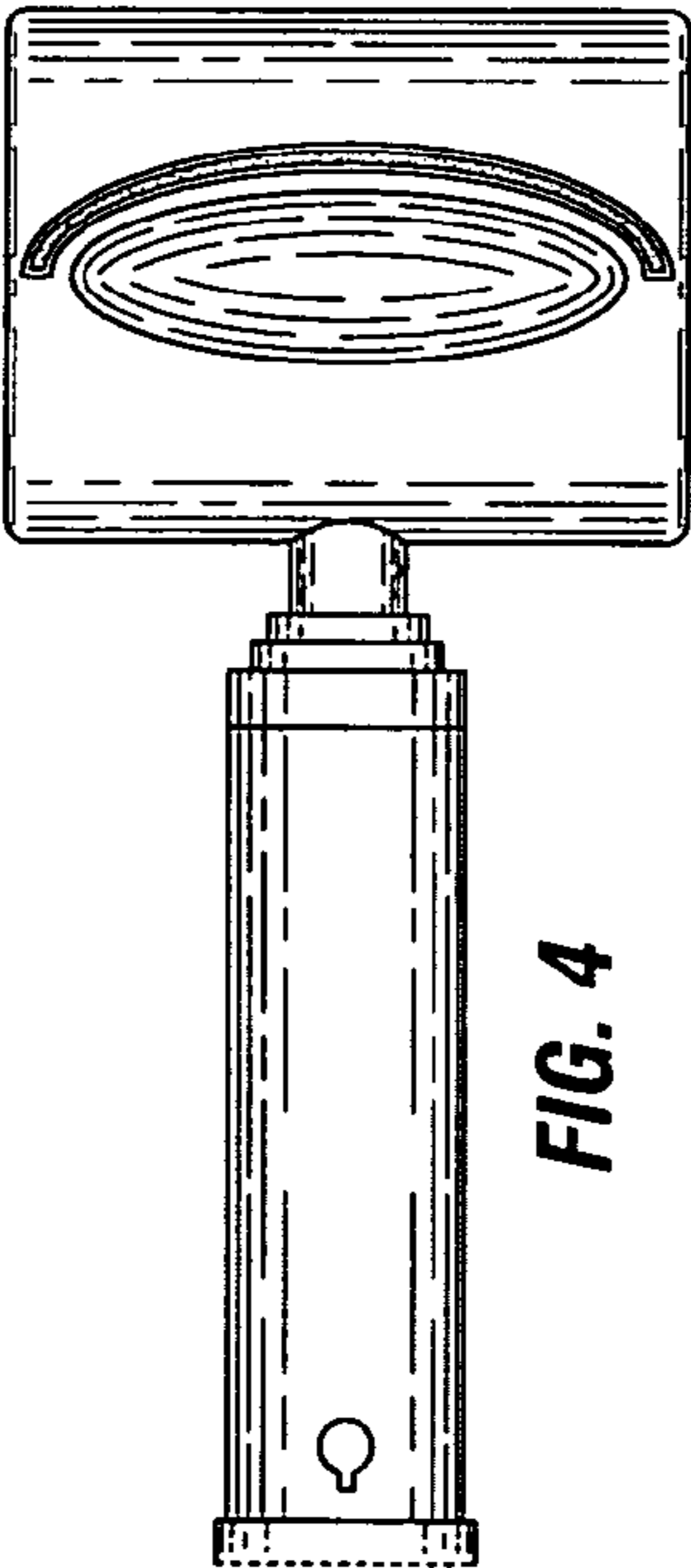


FIG. 4

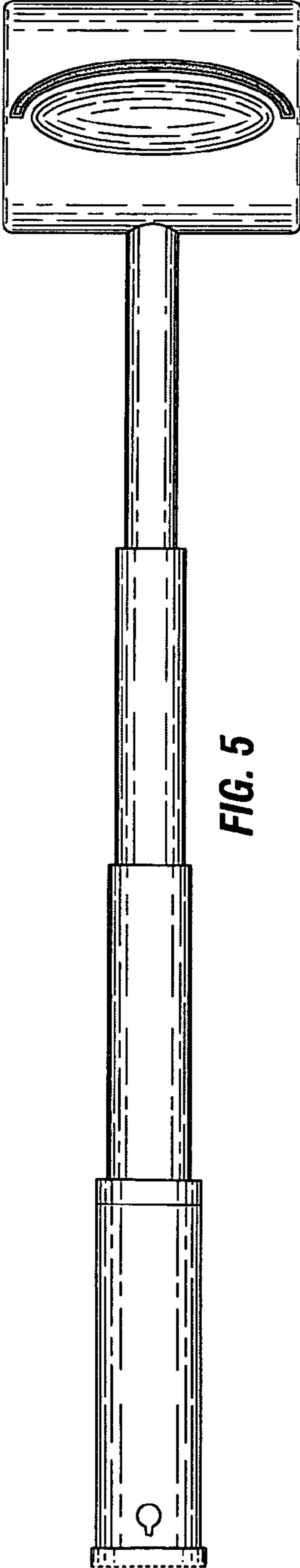


FIG. 5

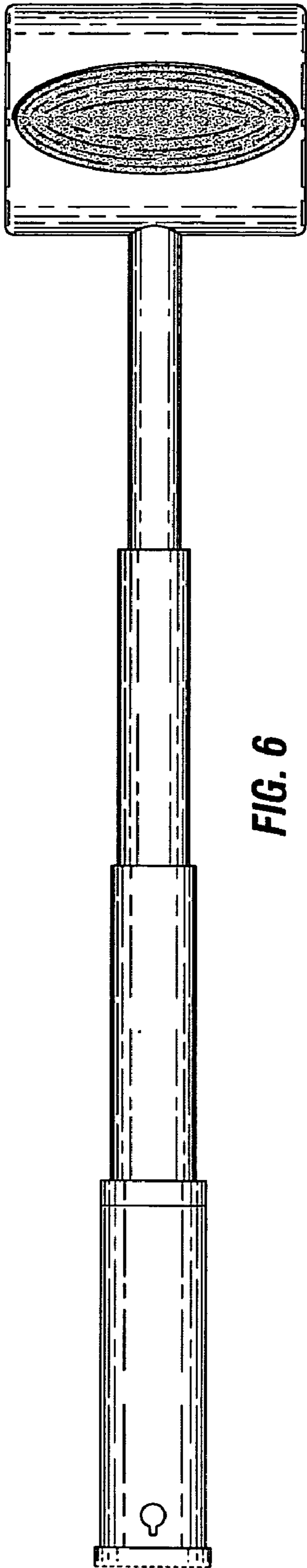


FIG. 6

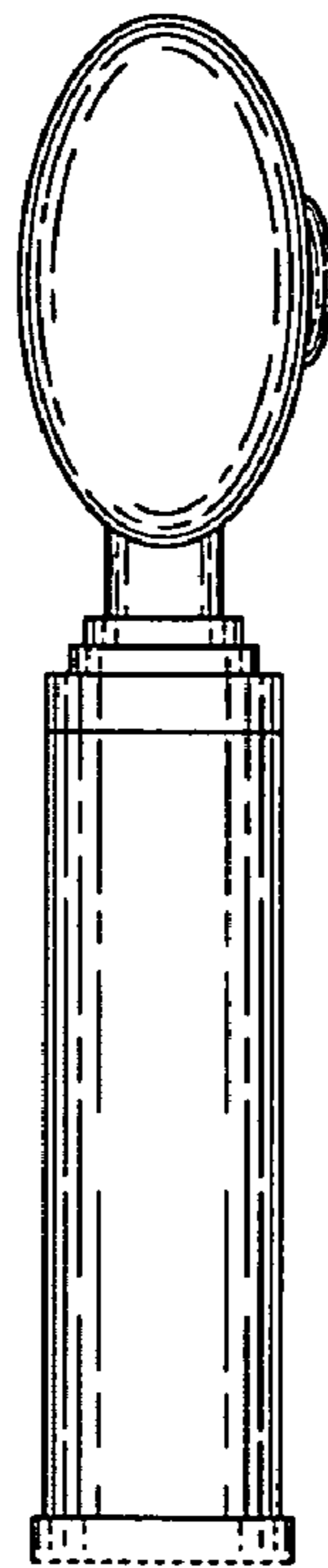


FIG. 7

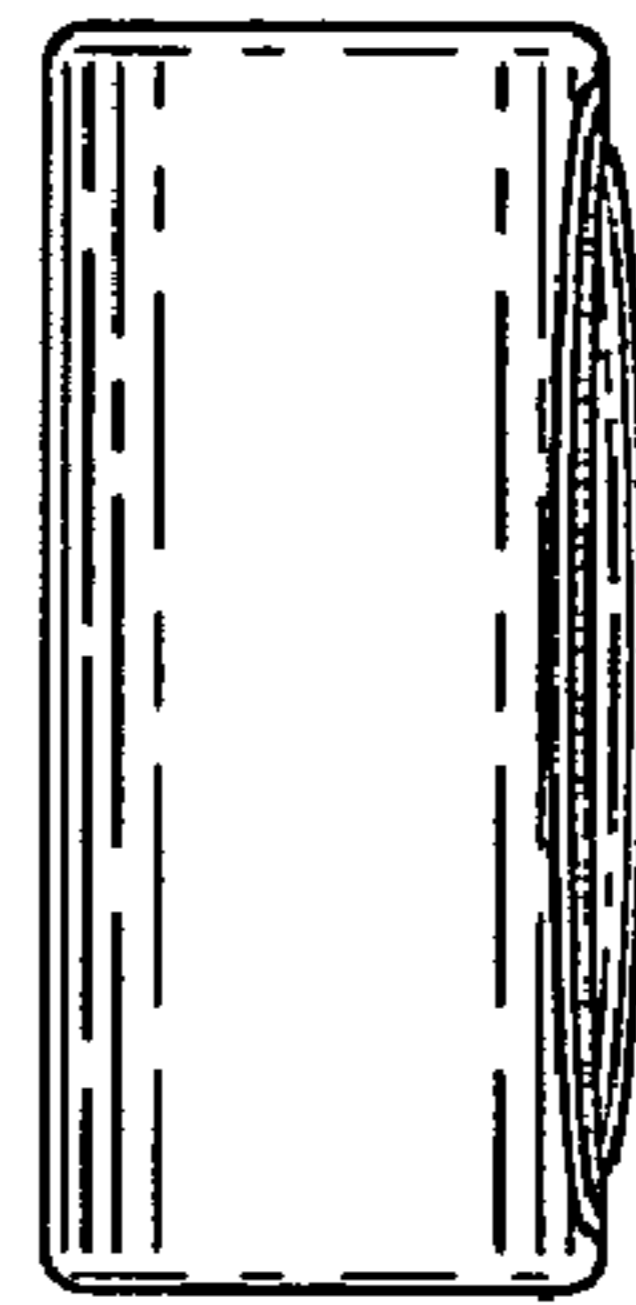


FIG. 8