



US00D653802S

(12) **United States Design Patent**
Kaljura

(10) **Patent No.:** **US D653,802 S**
(45) **Date of Patent:** **** Feb. 7, 2012**

- (54) **SMOKING ARTICLE**
- (75) Inventor: **Karl Kaljura**, Southampton (GB)
- (73) Assignee: **British American Tobacco (Investments) Limited**, London (GB)
- (**) Term: **14 Years**
- (21) Appl. No.: **29/356,613**
- (22) Filed: **Mar. 1, 2010**

Related U.S. Application Data

- (62) Division of application No. 29/303,173, filed on Feb. 1, 2008, now Pat. No. Des. 613,902.

Foreign Application Priority Data

- Aug. 10, 2007 (EM) 000778220
 - (51) **LOC (9) Cl.** **27-01**
 - (52) **U.S. Cl.** **D27/101**
 - (58) **Field of Classification Search** D27/100-101;
131/88-95, 360-365
- See application file for complete search history.

References Cited

U.S. PATENT DOCUMENTS

- 2,584,060 A 1/1952 Stephano
- D229,788 S * 1/1974 Berger D27/101
- D229,789 S * 1/1974 Berger D27/101
- D229,790 S 1/1974 Berger

- 4,552,158 A * 11/1985 Berger 131/94
- 4,995,407 A 2/1991 Kosiakoff et al.
- 5,044,381 A 9/1991 Thomas
- D453,854 S * 2/2002 Verhoeven-Koster D27/101
- 2008/0029106 A1 2/2008 Mishra et al.
- 2008/0115794 A1 5/2008 Oglesby
- 2008/0156336 A1 * 7/2008 Wyss-Peters et al. 131/88
- 2008/0173320 A1 7/2008 Dunlap et al.
- 2008/0202542 A1 8/2008 Hampl et al.

FOREIGN PATENT DOCUMENTS

JP 02-46585 3/1990

* cited by examiner

Primary Examiner — Jennifer Rivard

(74) *Attorney, Agent, or Firm* — Chadbourne & Parke LLP; Walter G. Hanchuk

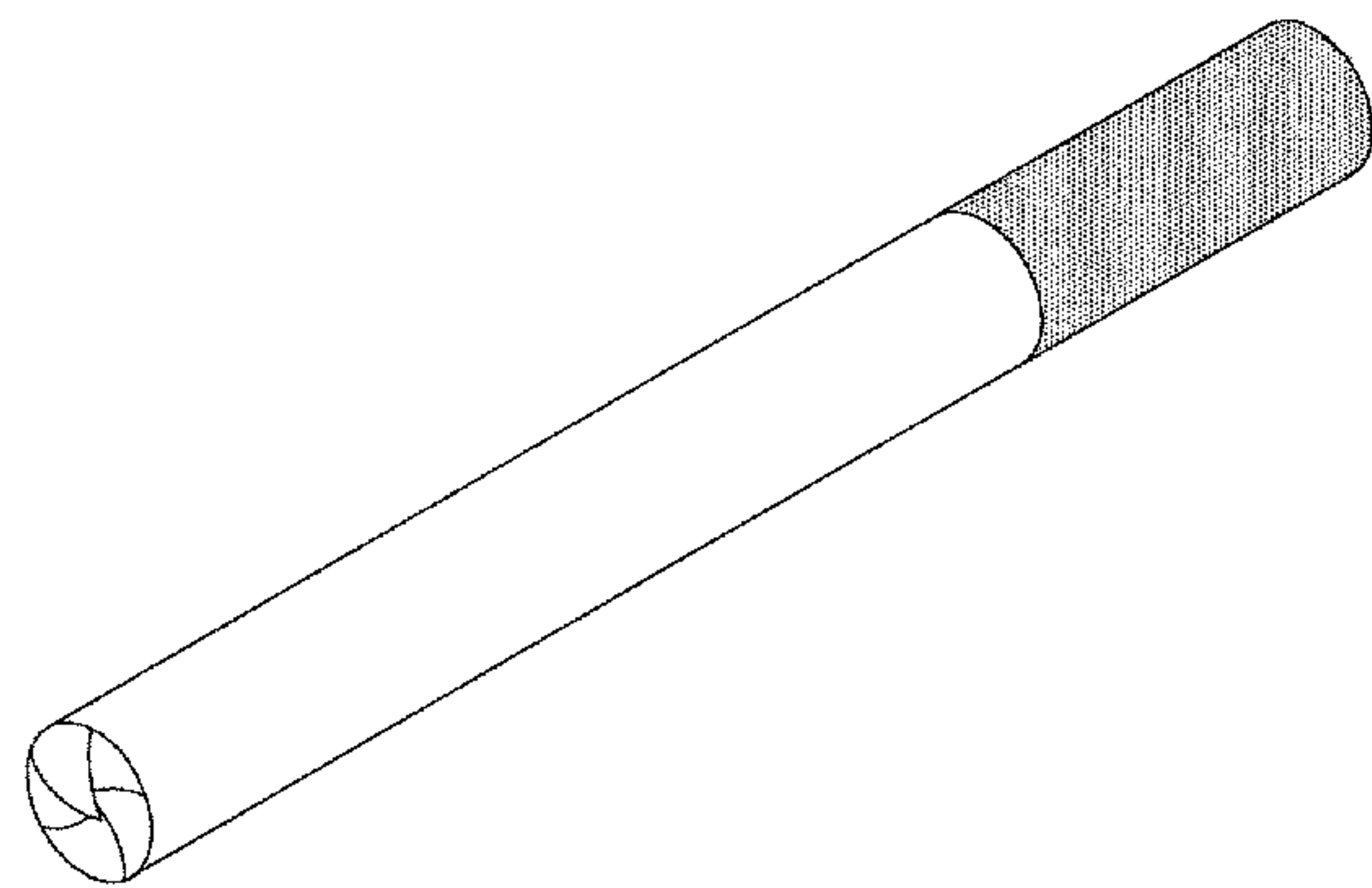
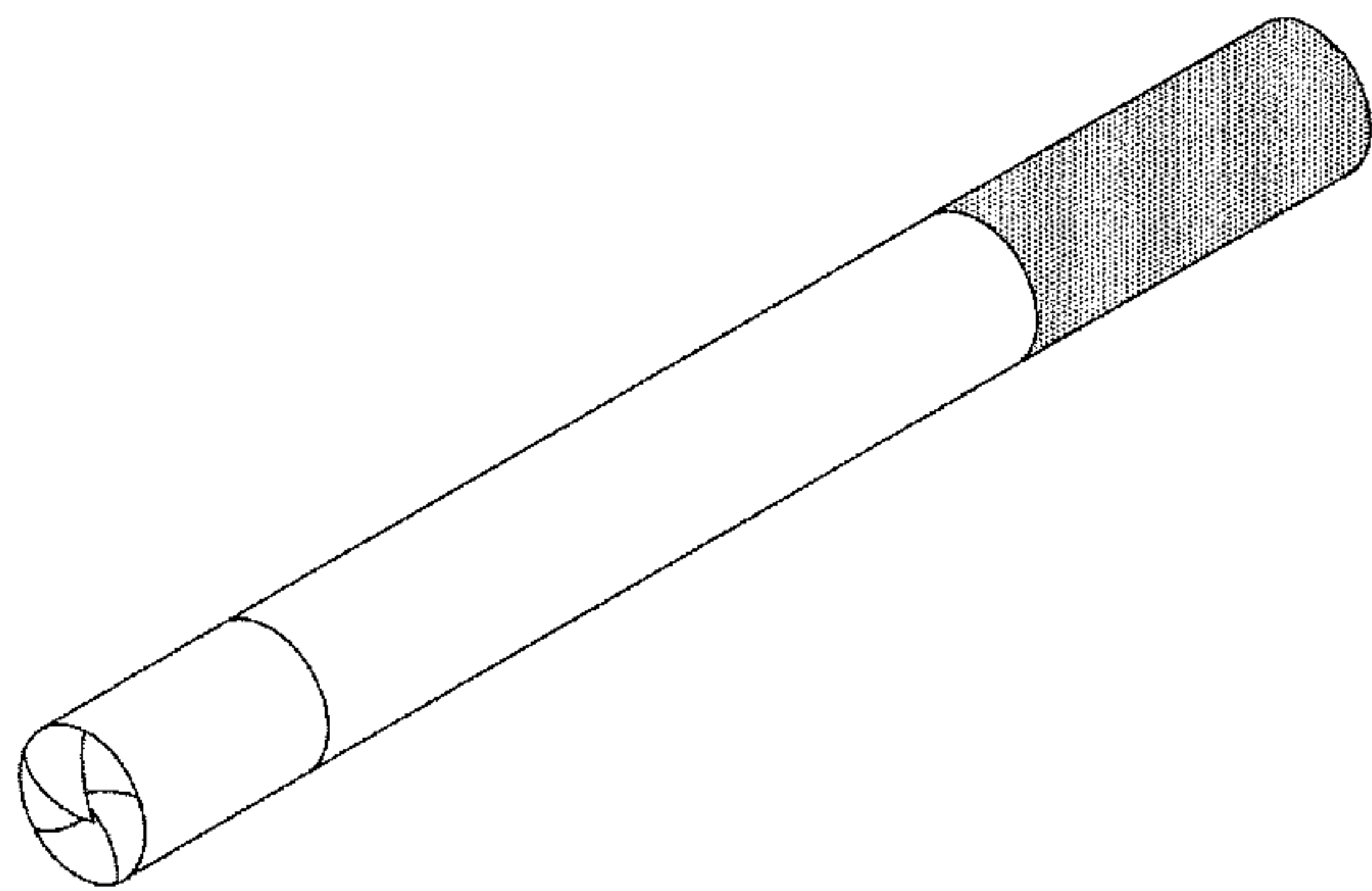
CLAIM

(57) The ornamental design for a smoking article, as shown and described.

DESCRIPTION

FIG. 1 is a left end, perspective view of the smoking article showing the design of the disclosed invention;
 FIG. 2 is a plan view thereof, the opposite plan view being a mirror image;
 FIG. 3 is a left end view thereof;
 FIG. 4 is a left end, perspective view of a second embodiment of the smoking article;
 FIG. 5 is a plan view of the second embodiment thereof, the opposite plan view being a mirror image; and,
 FIG. 6 is a left end view of the second embodiment thereof.

1 Claim, 4 Drawing Sheets



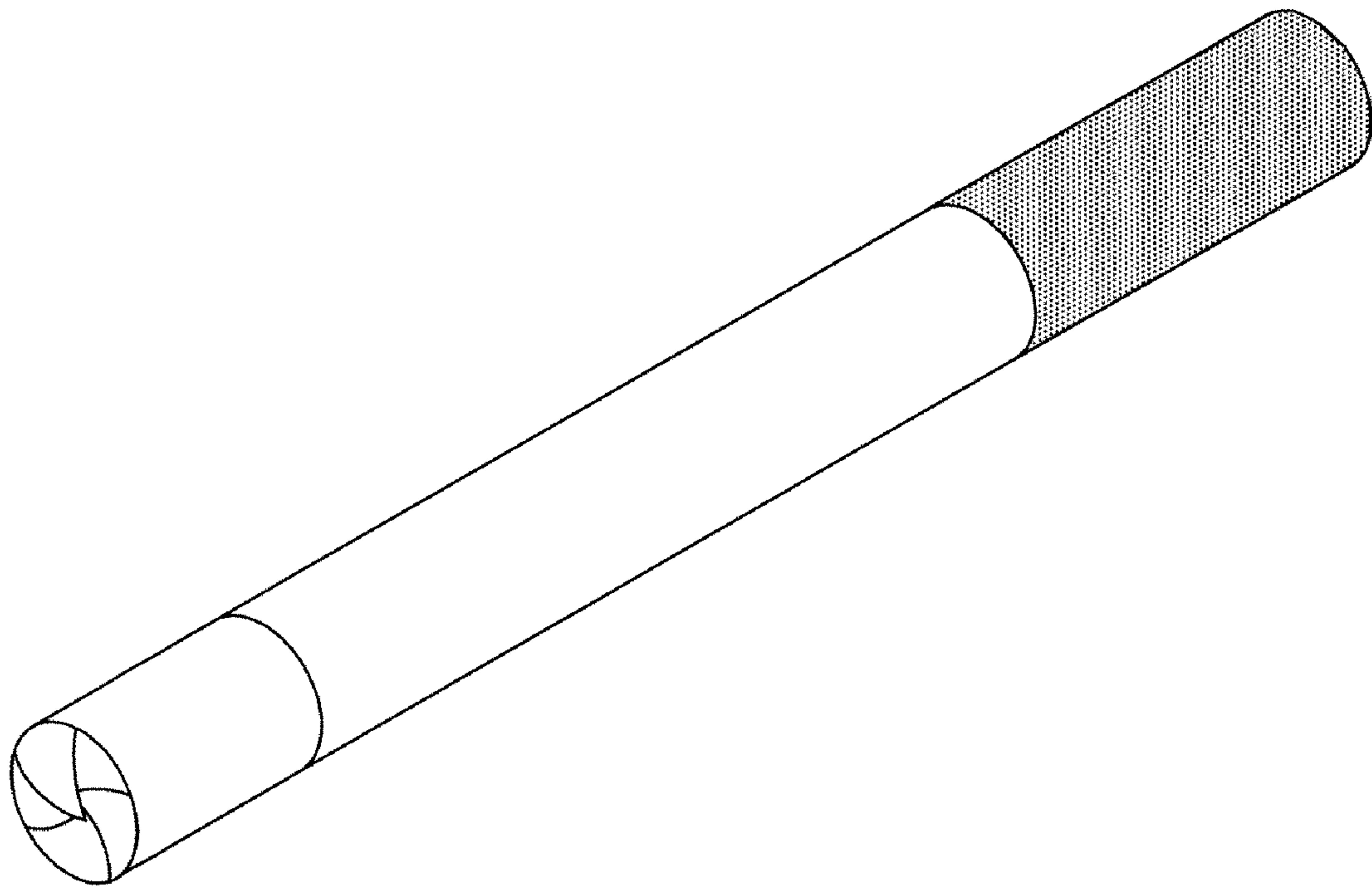


FIGURE 1

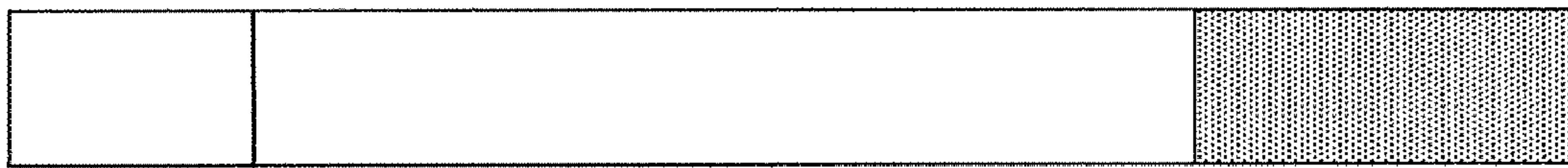


FIGURE 2

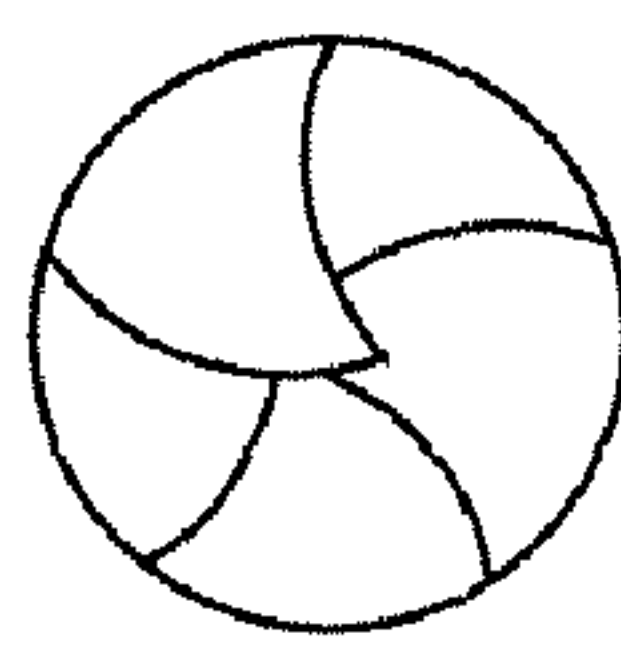


FIGURE 3

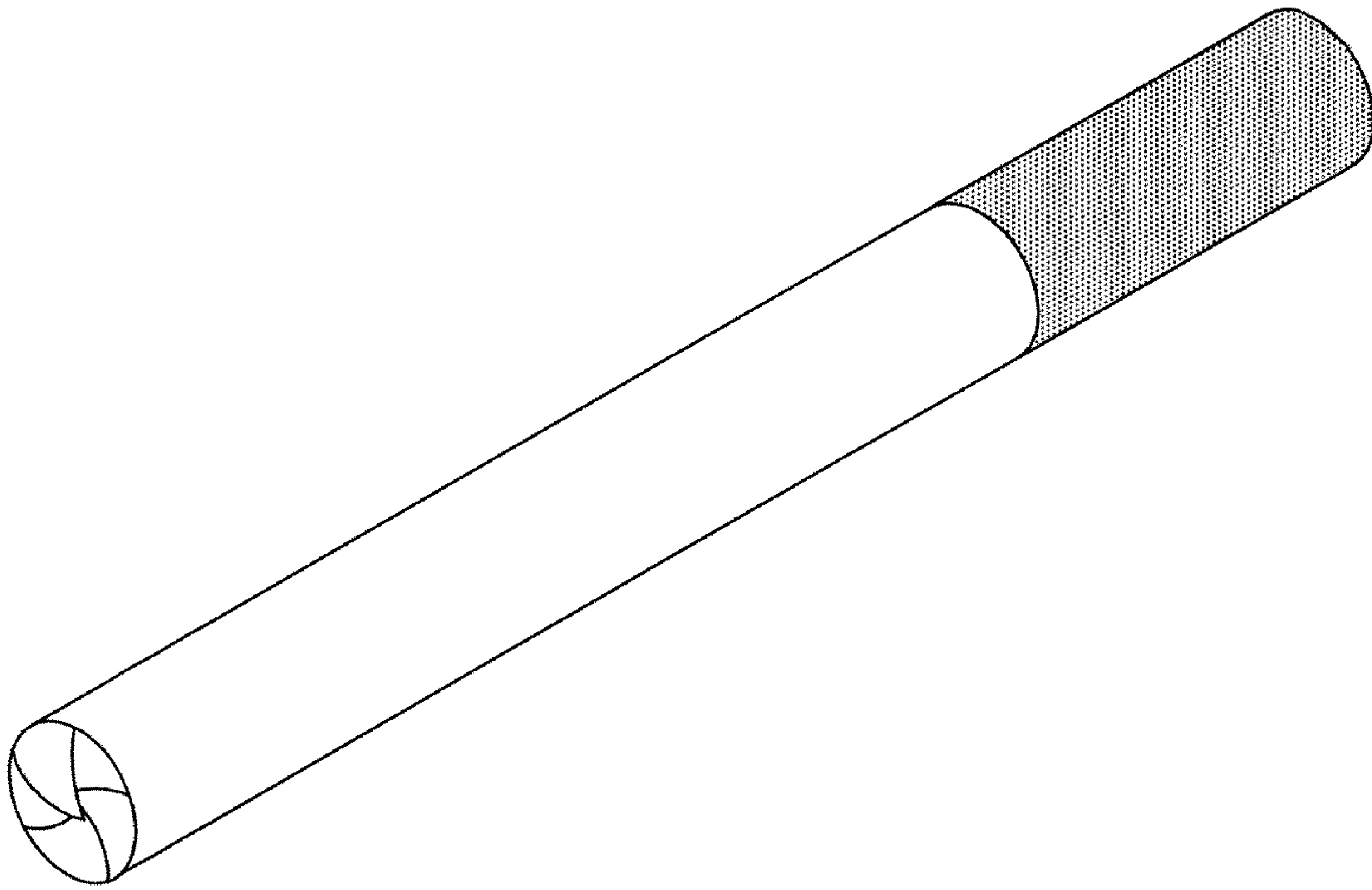


FIGURE 4



FIGURE 5

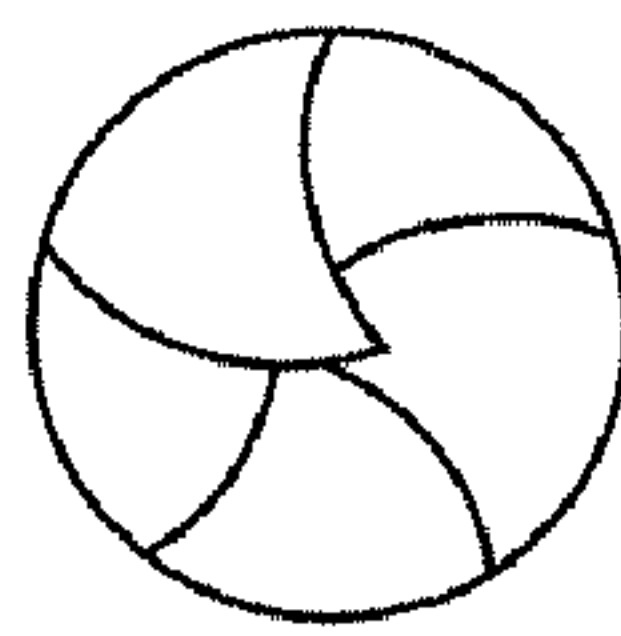


FIGURE 6