



US00D653801S

(12) **United States Design Patent**  
**Neiman**

(10) **Patent No.:** **US D653,801 S**  
(45) **Date of Patent:** **\*\* Feb. 7, 2012**

(54) **UNIVERSAL LIGHT FIXTURE MOUNTING  
PLATE WITH INTEGRAL LIGHT AND  
MOTION SENSING FOR UPWARD  
PROJECTING FIXTURES**

(76) Inventor: **John E. Neiman**, Savannah, GA (US)

(\*\*) Term: **14 Years**

(21) Appl. No.: **29/372,580**

(22) Filed: **Dec. 9, 2010**

(51) **LOC (9) Cl.** ..... **26-99**

(52) **U.S. Cl.** ..... **D26/142**

(58) **Field of Classification Search** ..... D26/118,  
D26/138, 2, 24, 26, 28, 37, 74, 142, 152,  
D26/63, 68, 140, 80, 76, 78, 72, 92, 113,  
D26/119, 120, 121, 122, 123, 124, 128, 129,  
D26/130, 145, 147, 153, 154, 155, 65, 71,  
D26/85, 88, 89, 90, 84, 75, 107, 87; 362/394,  
362/364, 365, 147, 418, 293, 362, 326, 290,  
362/249.01-249.11, 148, 396, 287, 275,  
362/276; 250/342, 347; D25/123, 138; 439/111,  
439/121, 122, 119, 120; D13/134, 179, 180,  
D13/133

See application file for complete search history.

(56) **References Cited**

**U.S. PATENT DOCUMENTS**

D62,887	S	*	8/1923	Dahl	.....	D26/87
D82,693	S	*	12/1930	Peters	.....	D26/109
4,939,359	A	*	7/1990	Freeman	.....	250/221
5,442,532	A	*	8/1995	Boulos et al.	.....	362/276
D362,173	S	*	9/1995	Skitromo	.....	D8/350
D367,335	S	*	2/1996	Kay	.....	D26/92
5,590,953	A	*	1/1997	Haslam et al.	.....	362/276
5,626,417	A	*	5/1997	McCavit	.....	362/276
5,649,761	A	*	7/1997	Sandell et al.	.....	362/276

D388,218	S	*	12/1997	Hsu	.....	D26/87
D388,219	S	*	12/1997	Hsu	.....	D26/87
5,757,004	A	*	5/1998	Sandell et al.	.....	250/347
D417,926	S	*	12/1999	Meck et al.	.....	D26/87
D427,715	S	*	7/2000	Miranda	.....	D26/142
D436,420	S	*	1/2001	Hidalgo	.....	D26/142
D442,319	S	*	5/2001	Hsu	.....	D26/87
D444,583	S	*	7/2001	Boecker	.....	D26/65
D444,589	S	*	7/2001	Hsu	.....	D26/87
D456,935	S	*	5/2002	Hsu	.....	D26/87
D458,405	S	*	6/2002	Hsu	.....	D26/92
6,943,687	B2	*	9/2005	Lee et al.	.....	340/556
D556,369	S	*	11/2007	Barry	.....	D26/142
7,319,389	B1	*	1/2008	Mudge	.....	340/541

\* cited by examiner

*Primary Examiner* — Kevin Rudzinski

(74) *Attorney, Agent, or Firm* — Sonya C. Harris; Invention Services

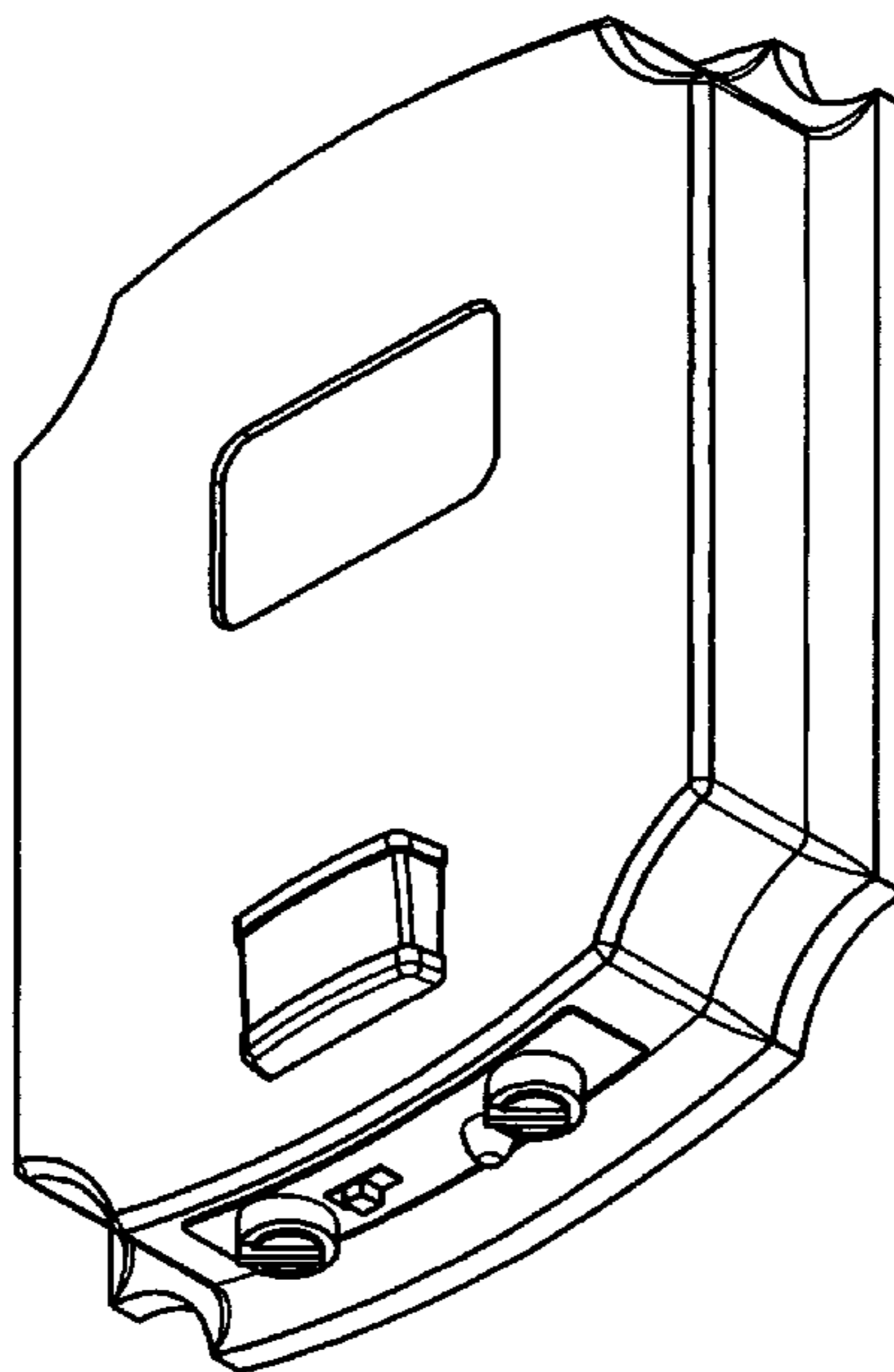
(57) **CLAIM**

The ornamental design for the universal light fixture mounting plate with integral light and motion sensing for upward projecting fixtures, as shown and described.

**DESCRIPTION**

FIG. 1 is a front elevational view of the universal light fixture mounting plate with integral light and motion sensing for upward projecting fixtures showing my design; FIG. 2 is a front bottom right perspective view thereof; FIG. 3 is a right side elevational view thereof; FIG. 4 is a bottom plan view thereof; FIG. 5 is a top plan view thereof; FIG. 6 is a front left perspective view thereof; and, FIG. 7 is a rear exploded view thereof. The broken line illustration of the light fixture shown in FIGS. 6 and 7 illustrate environmental structure and forms no part of the claimed design.

**1 Claim, 6 Drawing Sheets**



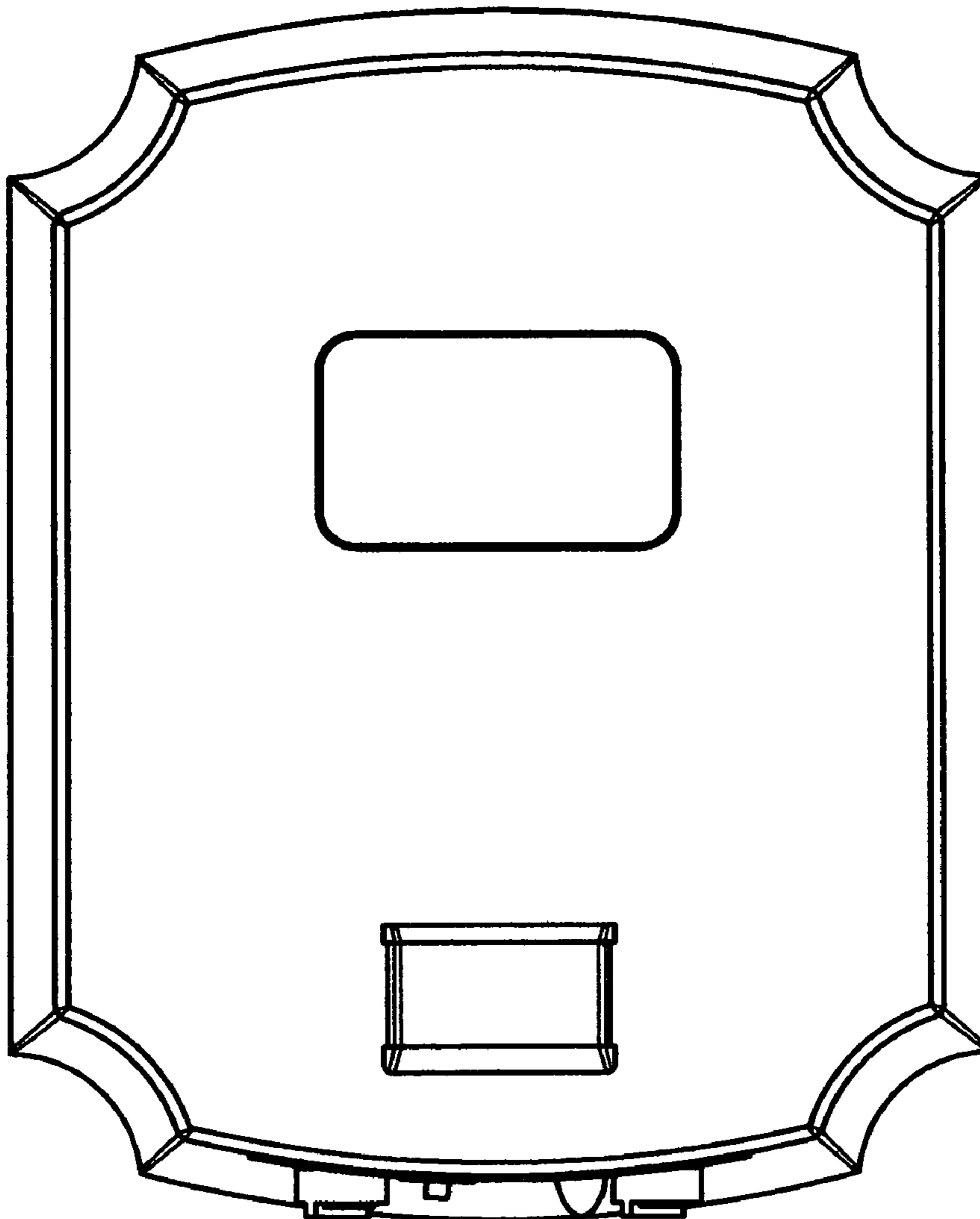


FIG. 1

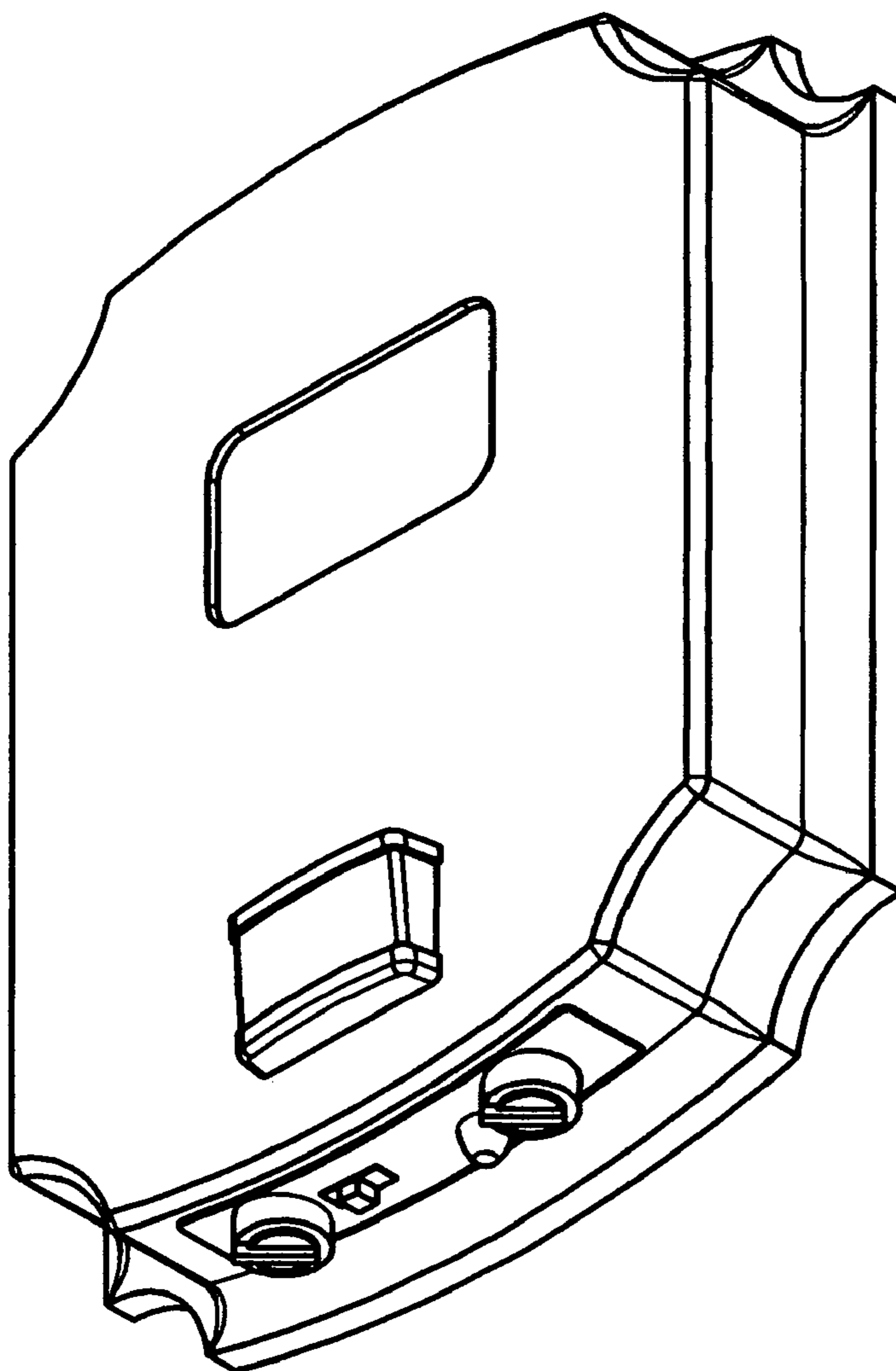


FIG. 2

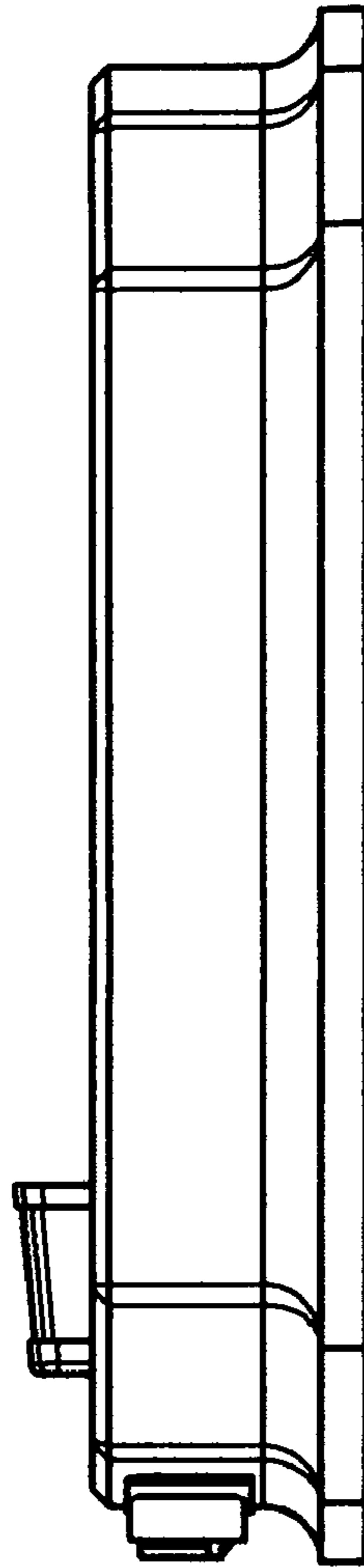


FIG. 3

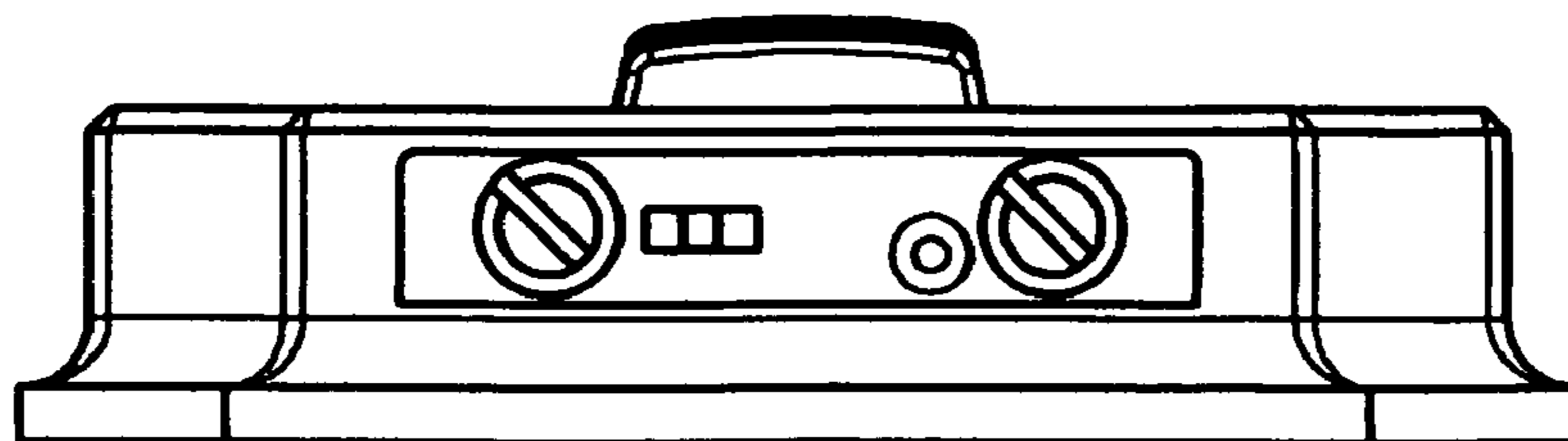


FIG. 4

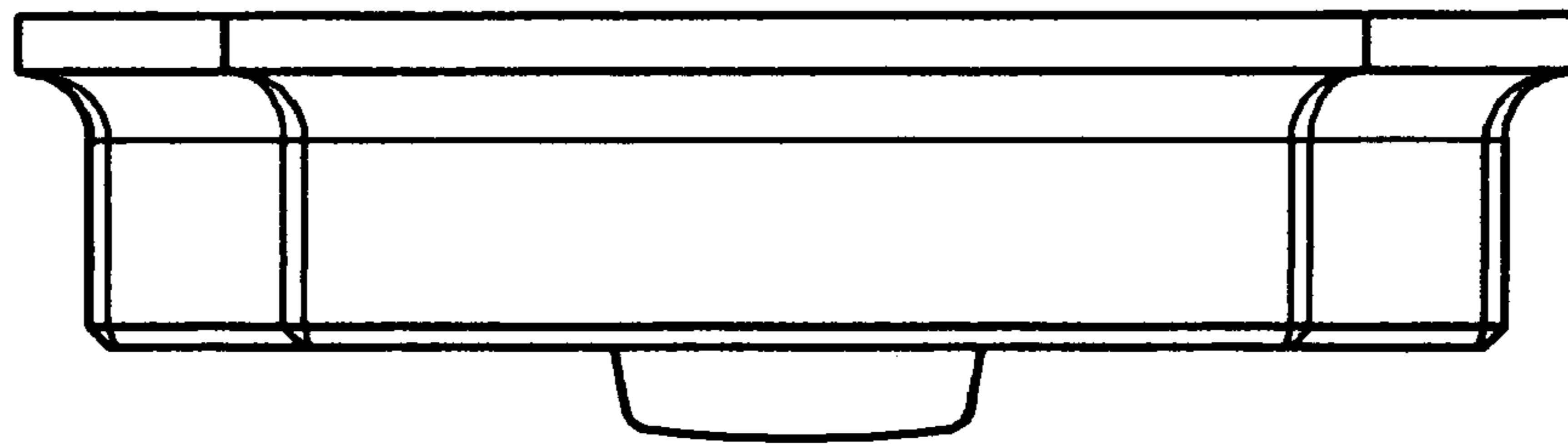


FIG. 5

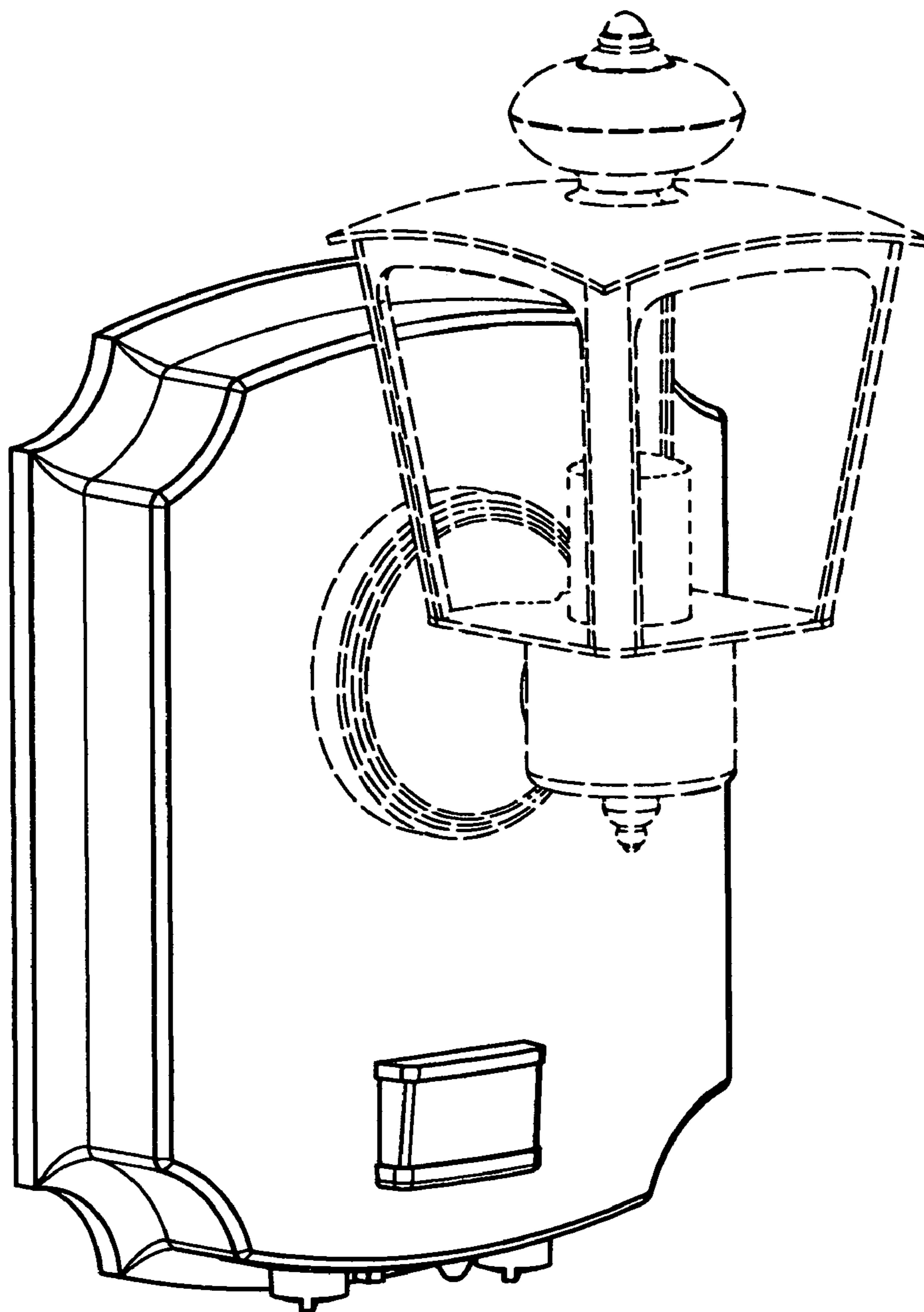


FIG. 6

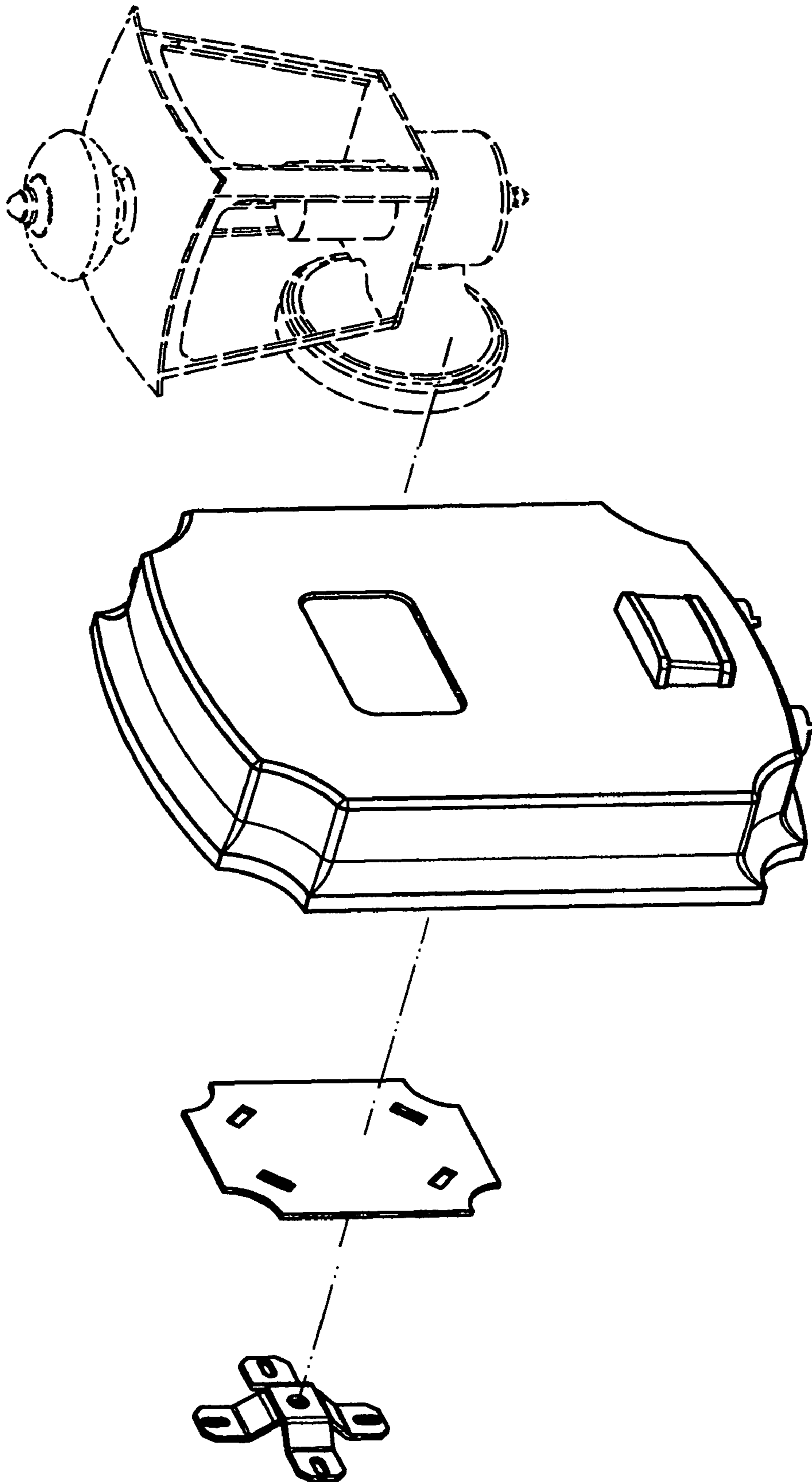


FIG. 7