



US00D653799S

(12) **United States Design Patent**
Baker et al.

(10) **Patent No.:** **US D653,799 S**

(45) **Date of Patent:** **** Feb. 7, 2012**

(54) **LIGHT GRID BEZEL**

(75) Inventors: **John B. Baker**, Watsonville, CA (US);
Erik Sowder, Watsonville, CA (US)

(73) Assignee: **ExpoImaging, Inc.**, Watsonville, CA
(US)

(**) Term: **14 Years**

(21) Appl. No.: **29/385,764**

(22) Filed: **Feb. 18, 2011**

(51) **LOC (9) Cl.** **26-99**

(52) **U.S. Cl.** **D26/138**

(58) **Field of Classification Search** D26/38,
D26/36, 46, 73, 76, 81, 84, 88, 118, 138,
D26/120, 13, 154, 155, 145, 86, 87, 85, 142,
D26/61, 24, 93, 92, 153, 91, 89, 74, 121,
D26/122, 71, 110, 105, 111, 131, 83, 80,
D26/1, 2, 3, 4, 5, 26, 123, 125, 128, 63, 62,
D26/64, 65, 41, 69, 139, 152, 150, 151, 141,
D26/143, 144, 51, 140; 362/269, 648, 238,
362/111, 105, 86, 373, 294, 362, 297, 346,
362/341, 356, 352, 433, 404, 235, 240, 249.01–249.11,
362/321, 287, 374, 427, 190, 281, 324, 272,
362/244, 555, 147, 348, 263, 350; D10/11,
D10/114.1; D22/108; 42/146, 117, 114,
42/115, 116, 142, 1.01; 439/110; 403/92,
403/97; 285/69, 78, 65; 257/89; D16/221;
D13/110, 133, 134, 179, 180, 182; 160/332;
D11/90, 89, 121, 125, 131; D25/119, 124,
D25/125, 138; D23/386; D8/373, 354, 349,
D8/389, 382, 363, 356, 377

See application file for complete search history.

(56) **References Cited**

U.S. PATENT DOCUMENTS

3,130,949	A *	4/1964	Wolff et al.	248/343
D232,321	S *	8/1974	Boissevain	D26/141
D250,968	S *	1/1979	Combest	D26/152
5,051,875	A *	9/1991	Johnson	362/101
5,221,069	A *	6/1993	Struthers et al.	248/231.9
D387,466	S *	12/1997	Lecluze	D26/118
D427,368	S *	6/2000	Kelmelis et al.	D26/152
D437,654	S *	2/2001	Chen	D26/74
6,250,776	B1 *	6/2001	Burkitt et al.	362/267
6,443,592	B1 *	9/2002	Unger et al.	362/147
D471,314	S *	3/2003	Guthrie	D26/152
6,585,389	B2 *	7/2003	Bonazzi	362/147
7,121,696	B2 *	10/2006	Whitfield, Sr.	362/365
D562,492	S *	2/2008	Chen	D26/85
D574,095	S *	7/2008	Hill et al.	D26/26
D581,576	S *	11/2008	Montalbano et al.	D26/89
D589,207	S *	3/2009	Fujiwara et al.	D26/138
7,553,040	B2 *	6/2009	Boothe et al.	362/101
7,588,359	B2 *	9/2009	Coushaine et al.	362/555

(Continued)

Primary Examiner — Kevin Rudzinski

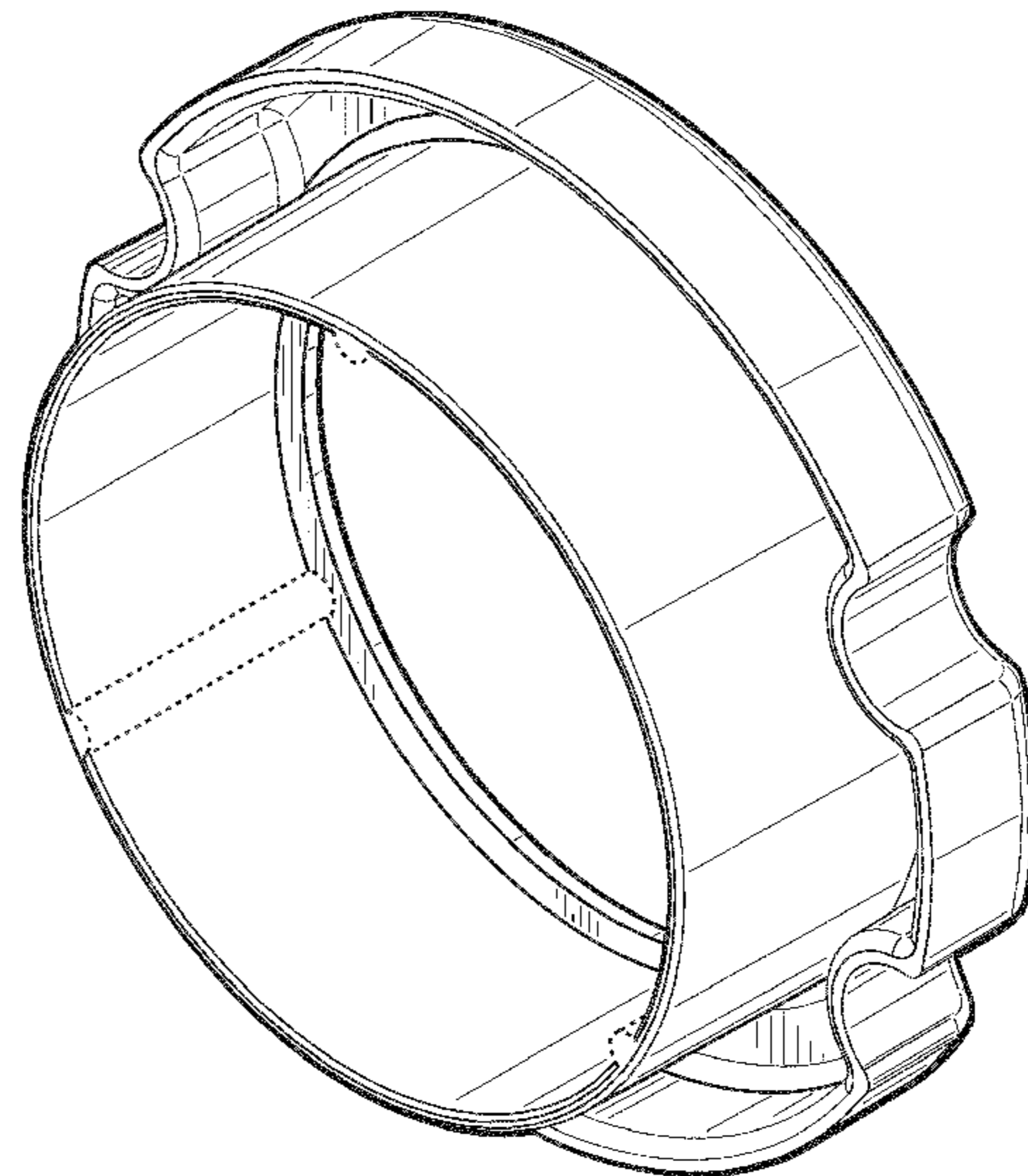
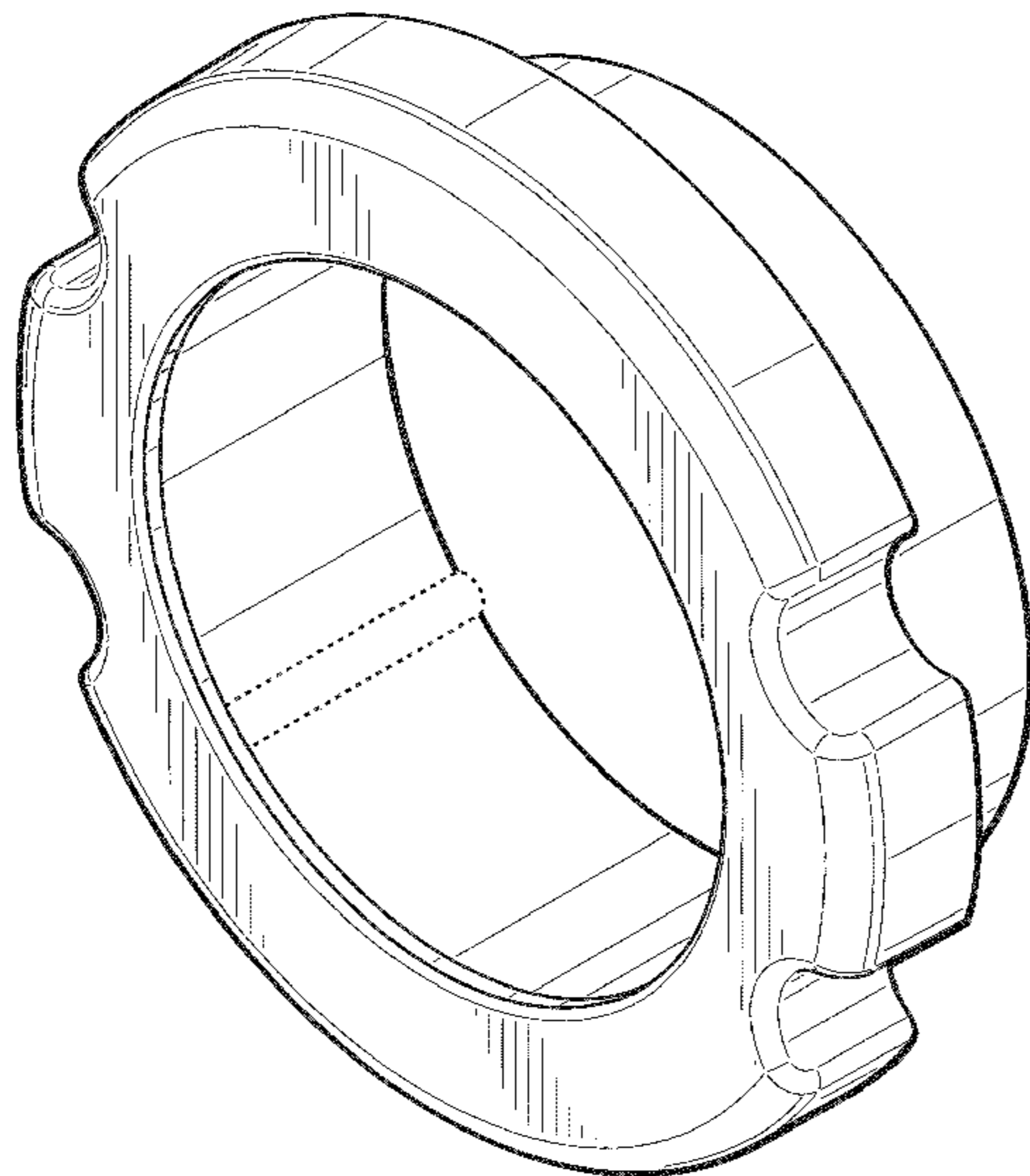
(57) **CLAIM**

We claim the ornamental design for a light grid bezel, as shown and described.

DESCRIPTION

FIG. 1 is a upper right front perspective view of a light grid bezel, dashed lined portions are unclaimed;
FIG. 2 is an upper left rear perspective view of a light grid bezel, dashed lined portions are unclaimed;
FIG. 3 is a front elevational view of a light grid bezel;
FIG. 4 is right side elevational view of a light grid bezel, the left side elevational view is a mirror image thereto;
FIG. 5 is a rear elevational view of a light grid bezel, dashed lined portions are unclaimed; and,
FIG. 6 is top plan view of a light grid bezel, the bottom view is identical thereto.
The dashed lines shown in the drawings illustrating unclaimed features form no part of the claimed design.

1 Claim, 3 Drawing Sheets



US D653,799 S

Page 2

U.S. PATENT DOCUMENTS

D636,118 S *	4/2011	Kim et al.	D26/138	2006/0291206 A1*	12/2006	Angelini et al.	362/244
2006/0067086 A1*	3/2006	Hsu	362/544	2010/0127282 A1*	5/2010	Harbers et al.	257/89

* cited by examiner

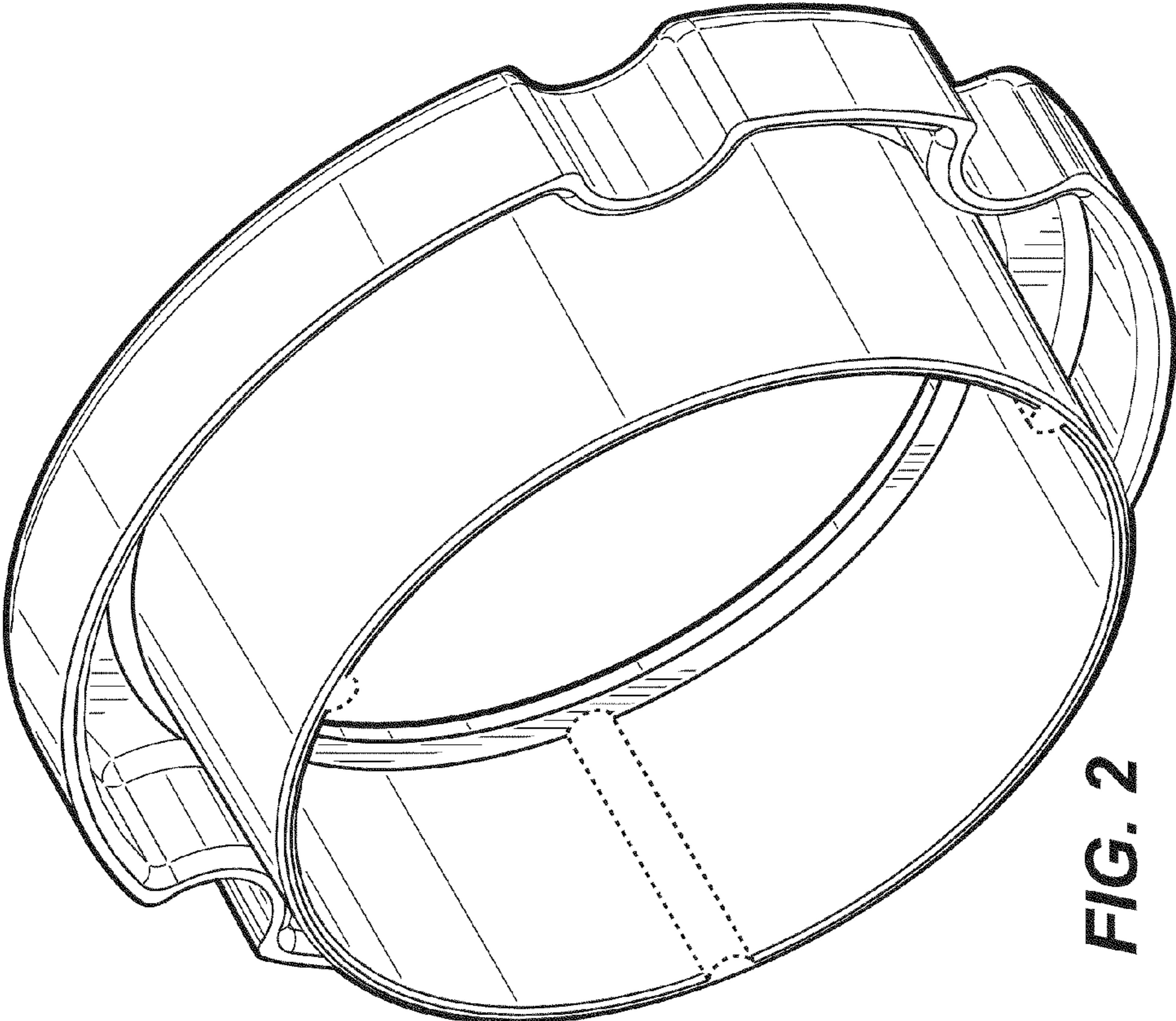


FIG. 2

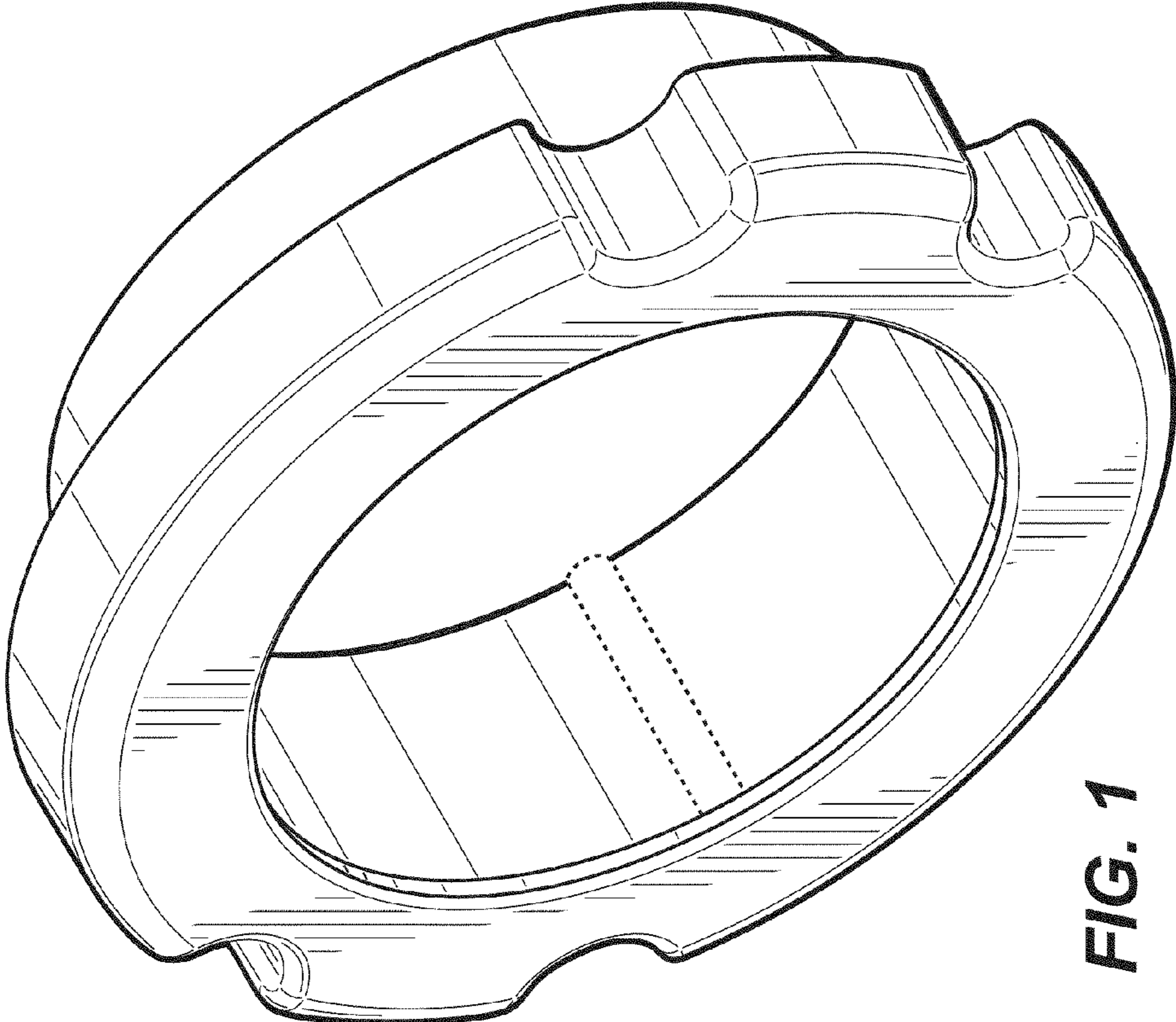


FIG. 1

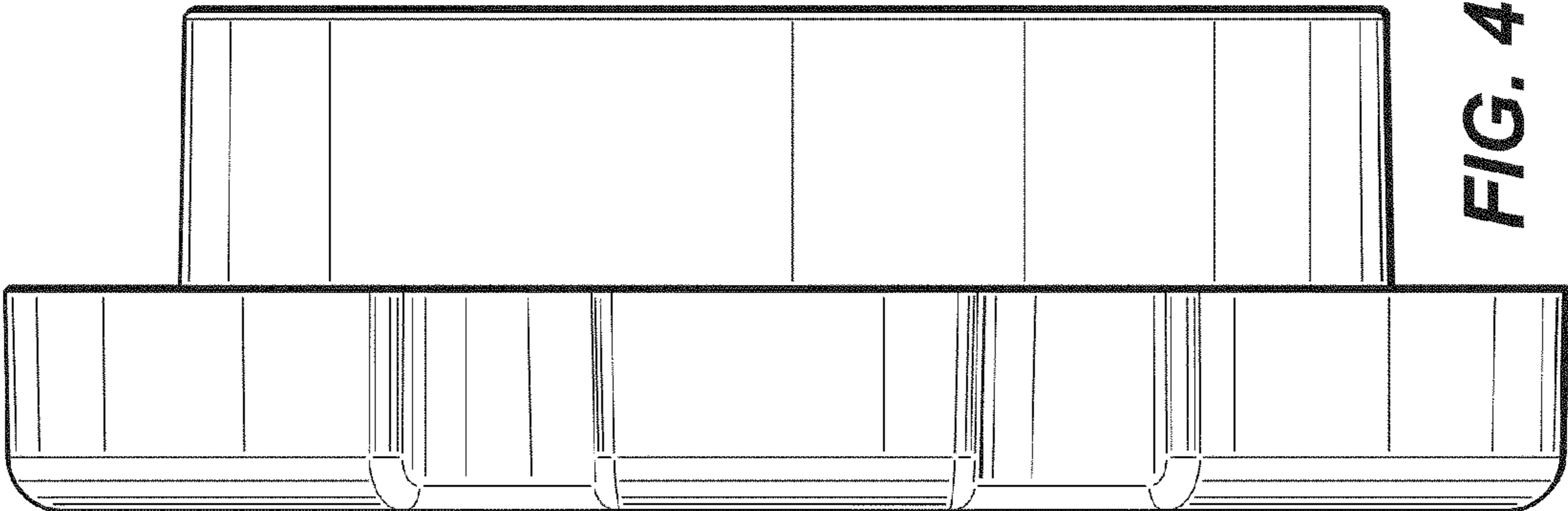


FIG. 4

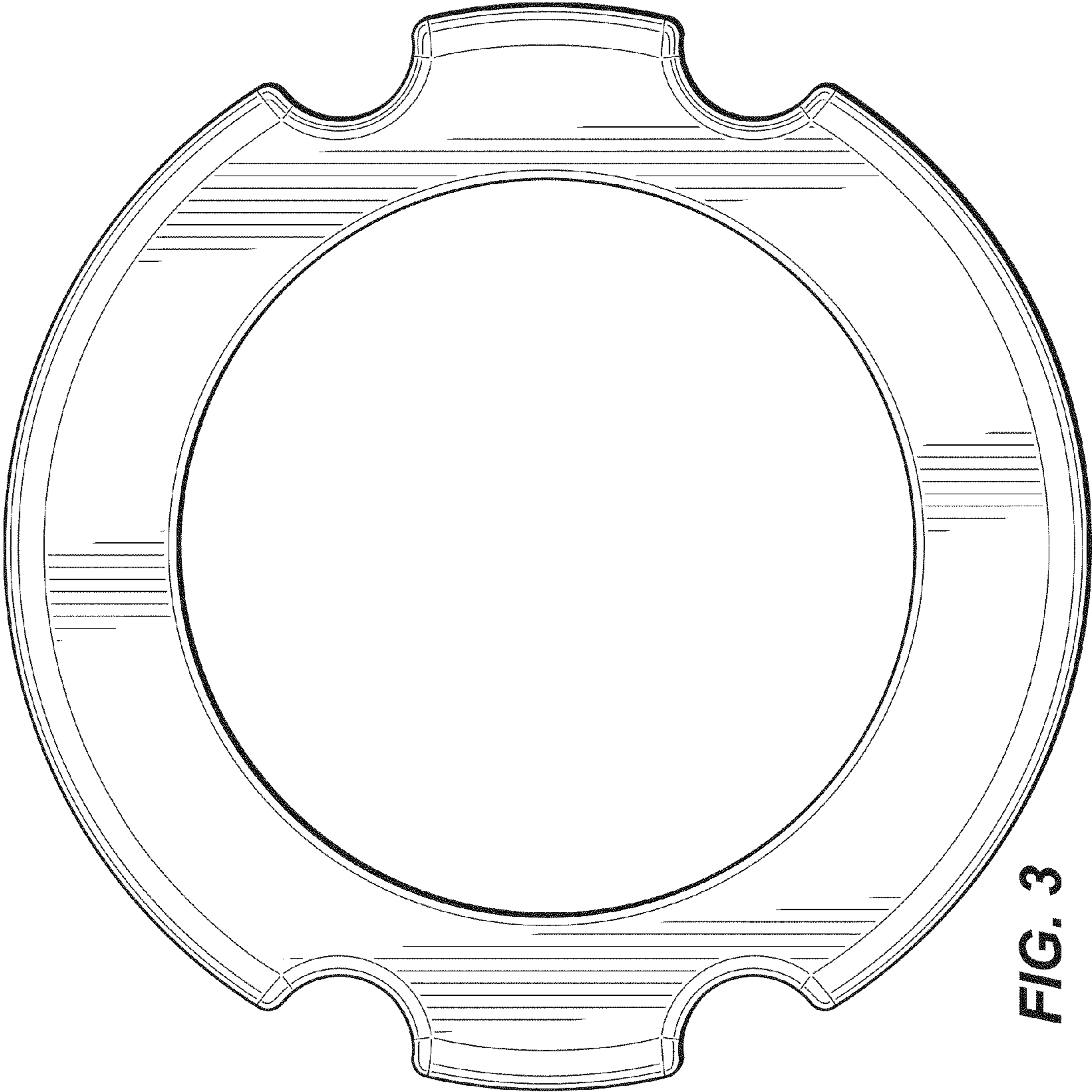


FIG. 3

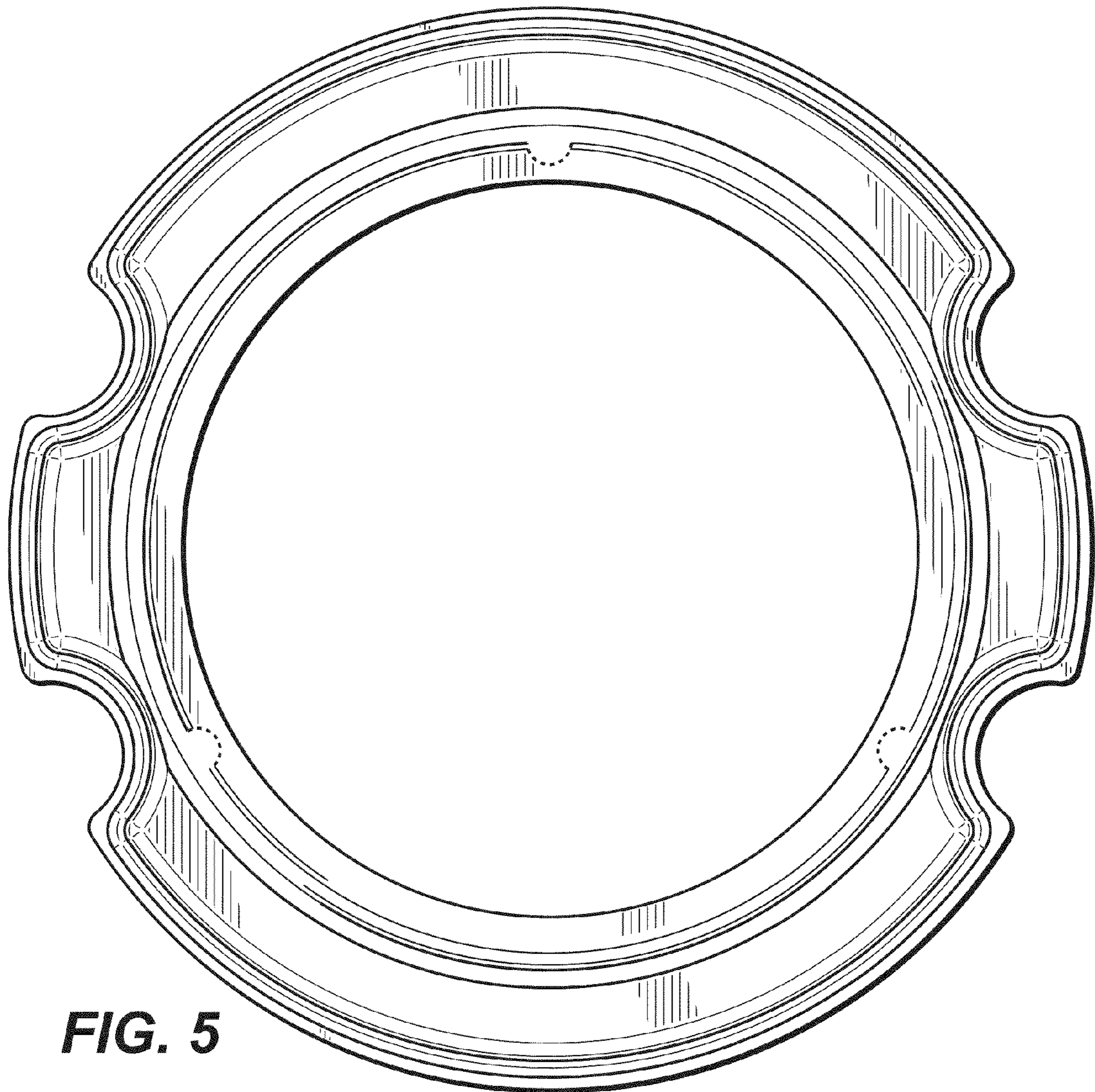


FIG. 5

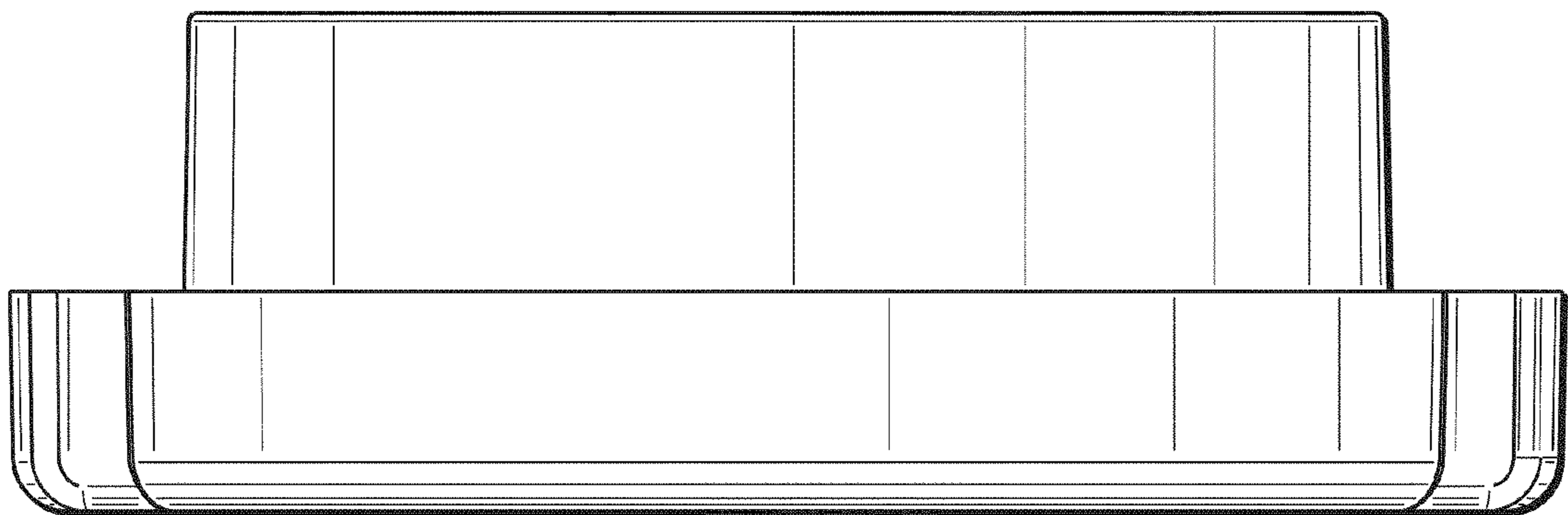


FIG. 6