



US00D653798S

(12) **United States Design Patent**
Janice et al.

(10) **Patent No.:** **US D653,798 S**
(45) **Date of Patent:** **** Feb. 7, 2012**

(54) **HOUSING FOR RAIL-MOUNTED LIGHT**

(75) Inventors: **Gregory C. Janice**, Shamong, NJ (US);
Michael Aaskov, Hampton Falls, NH
(US); **Kyle Walters**, Cambridge, MA
(US)

(73) Assignee: **Princeton Tectonics, Inc.**, Bordentown,
NJ (US)

(**) Term: **14 Years**

(21) Appl. No.: **29/383,378**

(22) Filed: **Jan. 17, 2011**

(51) **LOC (9) Cl.** **26-99**

(52) **U.S. Cl.** **D26/138**

(58) **Field of Classification Search** D26/38,
D26/36, 46, 73, 76, 81, 84, 88, 118, 138,
D26/120, 13, 154, 155, 145, 86, 87, 85, 142,
D26/61, 24, 93, 92, 153, 91, 74, 121, 122,
D26/71, 110, 105, 111, 131, 83, 80, 1, 2,
D26/3, 4, 5, 26, 89, 123, 125, 128, 63, 62,
D26/64, 65, 41, 69, 139, 152, 150, 151, 141,
D26/143, 144, 51, 140; 362/269, 648, 238,
362/111, 105, 86, 373, 294, 362, 297, 346,
362/341, 356, 352, 433, 404, 235, 240, 249.01-249.11,
362/321, 287, 374, 427, 190, 281, 324, 272,
362/244, 555, 147, 348, 263, 350; D10/11,
D10/114.1; D22/108; 42/146, 117, 114,
42/115, 116, 142, 1.01; 439/110; 403/92,
403/97; 285/69, 78, 65; 257/89; D16/221;
D13/110, 133, 134, 179, 180, 182; 160/332;
D11/90, 89, 121, 125, 131; D25/119, 124,
D25/125, 138; D23/386; D8/373, 354, 349,
D8/389, 382, 363, 356, 377

See application file for complete search history.

(56) **References Cited**

U.S. PATENT DOCUMENTS

1,215,171	A *	2/1917	Lewis	356/247
D264,206	S *	5/1982	Heritage	D13/133
4,488,369	A *	12/1984	Van Note	42/1.01
4,777,754	A *	10/1988	Reynolds, Jr.	42/117
D325,645	S *	4/1992	Grange	D26/63
D325,646	S *	4/1992	Grange	D26/63
5,299,375	A *	4/1994	Thummel et al.	42/115
5,334,037	A *	8/1994	Gabrieus et al.	439/118
5,341,276	A *	8/1994	Shen	362/648
5,359,779	A *	11/1994	Polk et al.	42/115
D362,656	S *	9/1995	Roos et al.	D13/134
5,903,996	A *	5/1999	Morley	42/115
D437,438	S *	2/2001	Tang	D26/63
6,363,648	B1 *	4/2002	Kranich et al.	42/117
D459,514	S *	6/2002	Mier-Langner et al.	D26/63
6,526,688	B1 *	3/2003	Danielson et al.	42/114
D475,479	S *	4/2003	Layne et al.	D26/61
6,574,901	B1 *	6/2003	Lin	D26/64
6,574,901	B1 *	6/2003	Solinsky et al.	42/146
6,609,810	B2 *	8/2003	Kim	362/110

(Continued)

Primary Examiner — Kevin Rudzinski

(74) *Attorney, Agent, or Firm* — Howson & Howson LLP

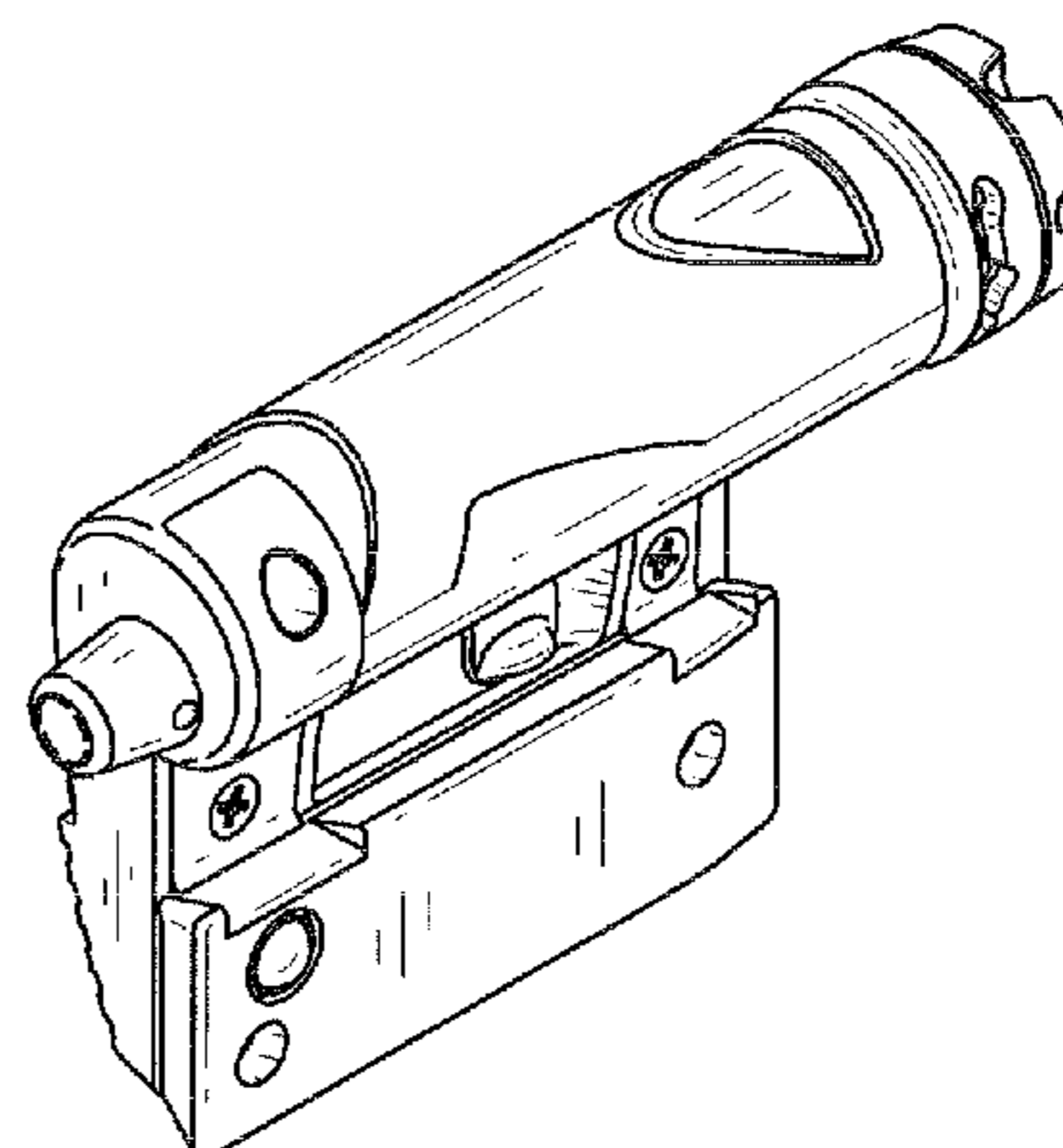
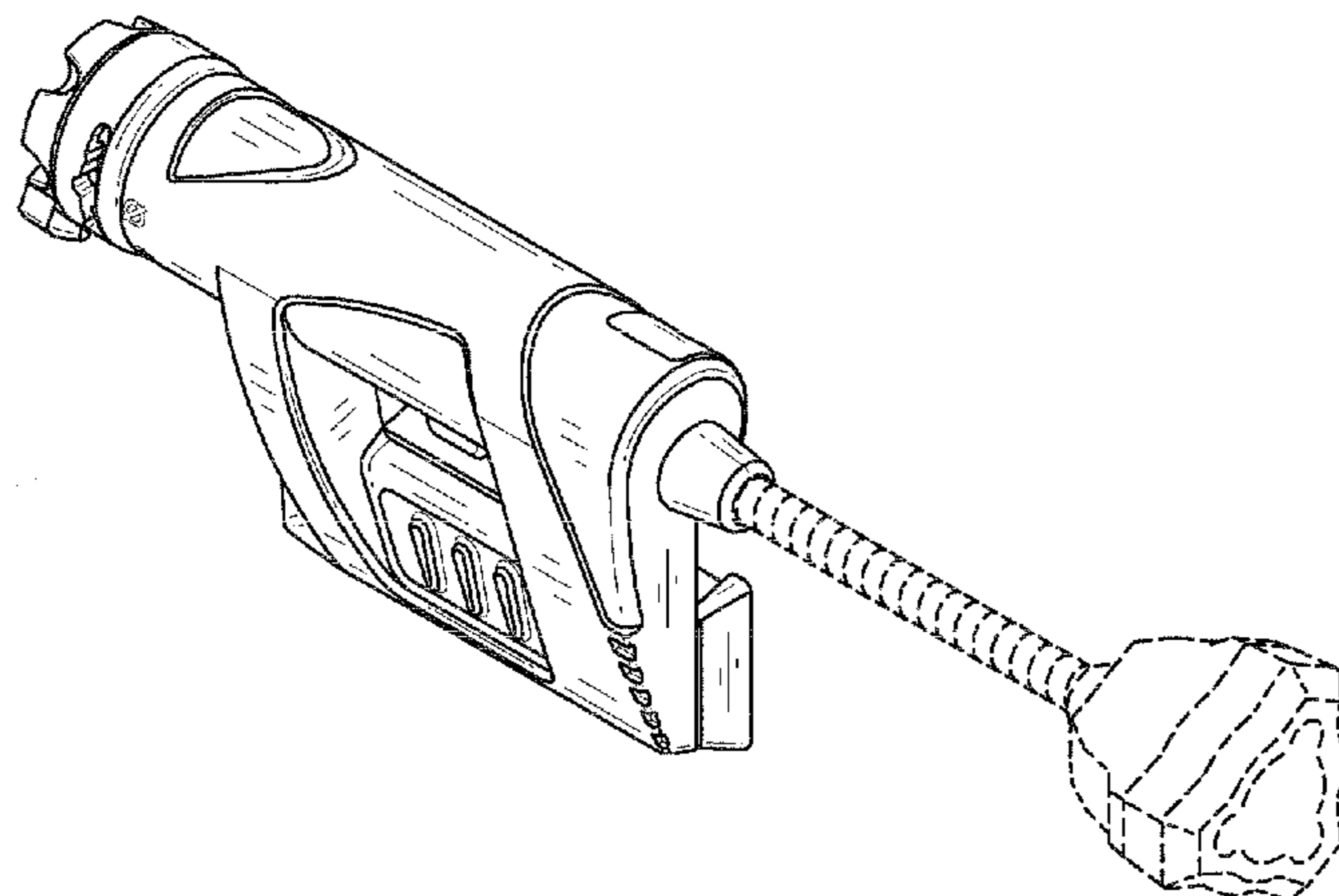
(57) **CLAIM**

The ornamental design for a housing for rail-mounted light, as shown and described.

DESCRIPTION

FIG. 1 is a perspective view of the front, left, and top sides of a housing for rail-mounted light showing our new design; FIG. 2 is a perspective view of the right, front, and top sides thereof; FIG. 3 is a top plan view thereof; FIG. 4 is a left side elevational view thereof; FIG. 5 is a bottom plan view thereof; FIG. 6 is a rear elevational view thereof; FIG. 7 is a front elevational view thereof; and, FIG. 8 is a right side elevational view thereof. The flexible sheath and light shown in broken lines in FIG. 1 illustrate unclaimed environmental structures and form no part of the claimed design.

1 Claim, 3 Drawing Sheets



US D653,798 S

Page 2

U.S. PATENT DOCUMENTS

D537,193	S *	2/2007	Lehman	D26/138	7,614,760	B2 *	11/2009	Sharrah et al.	362/111
D541,456	S *	4/2007	Kosche	D26/63	D612,524	S *	3/2010	Booher	D26/39
D548,385	S *	8/2007	Sharrah et al.	D26/60	D612,757	S *	3/2010	D'Amelio et al.	D10/70
7,269,920	B2 *	9/2007	Staley, III	42/114	D612,970	S *	3/2010	Sharrah et al.	D26/60
D556,367	S *	11/2007	Lehman et al.	D26/138	7,784,192	B2 *	8/2010	Jancic et al.	33/286
D563,580	S *	3/2008	Prazoff	D26/61	7,819,547	B1 *	10/2010	Teetzel et al.	362/206
D565,771	S *	4/2008	Garner et al.	D26/62	7,926,218	B2 *	4/2011	Matthews et al.	42/115
D566,325	S *	4/2008	Aubrey	D26/138	2003/0223234	A1 *	12/2003	Tang	362/226
D566,873	S *	4/2008	Grundl et al.	D26/63	2004/0068913	A1 *	4/2004	Solinsky et al.	42/146
D576,345	S *	9/2008	Aubrey	D26/138	2007/0074444	A1 *	4/2007	Kim	42/146
7,493,722	B2 *	2/2009	Howe et al.	42/146	2007/0277422	A1 *	12/2007	Ding	42/146
7,523,583	B2 *	4/2009	Cheng	42/146	2008/0148619	A1 *	6/2008	Rogers et al.	42/90
7,559,169	B2 *	7/2009	Hung et al.	42/119						

* cited by examiner

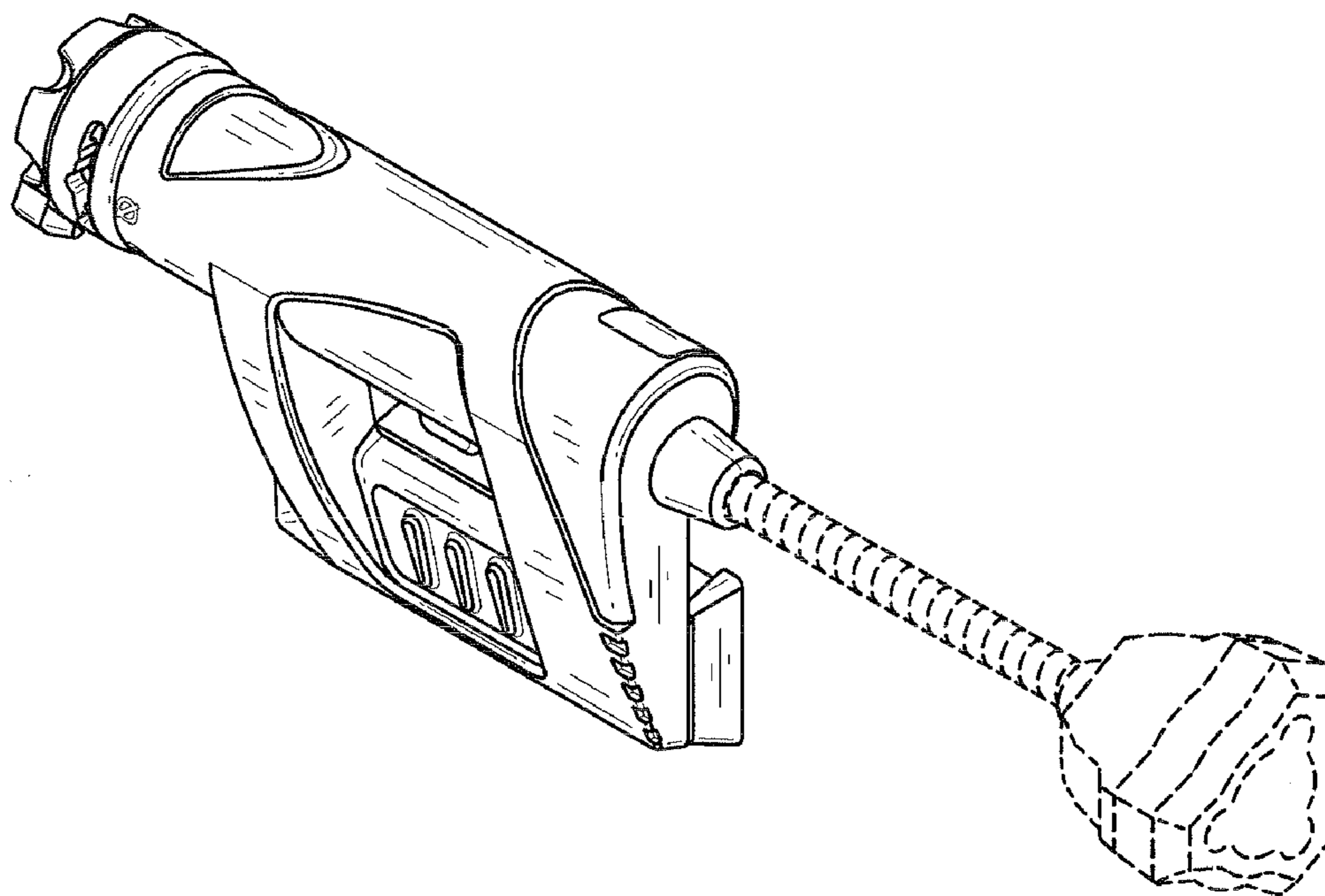


Fig. 1

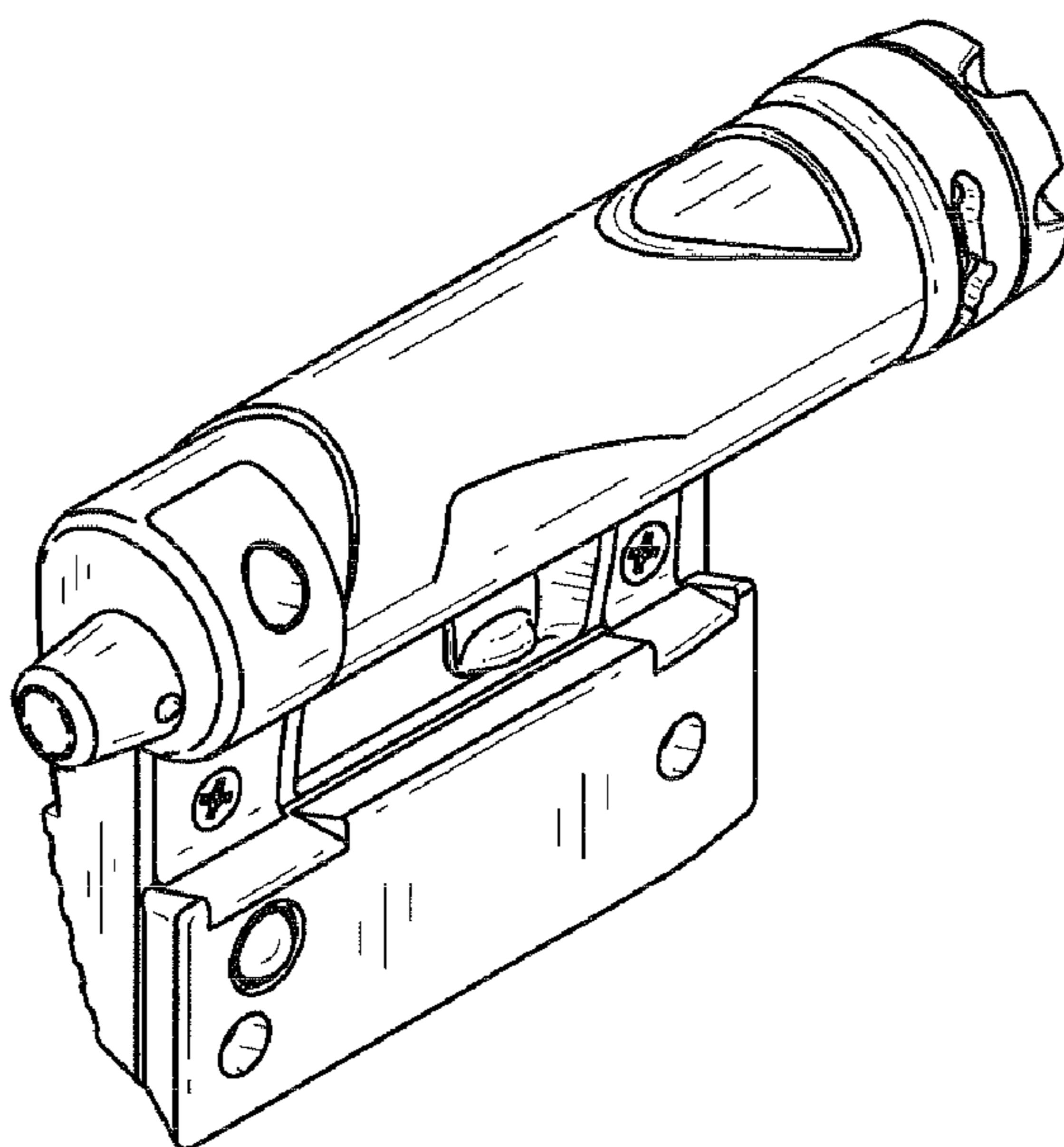


Fig. 2

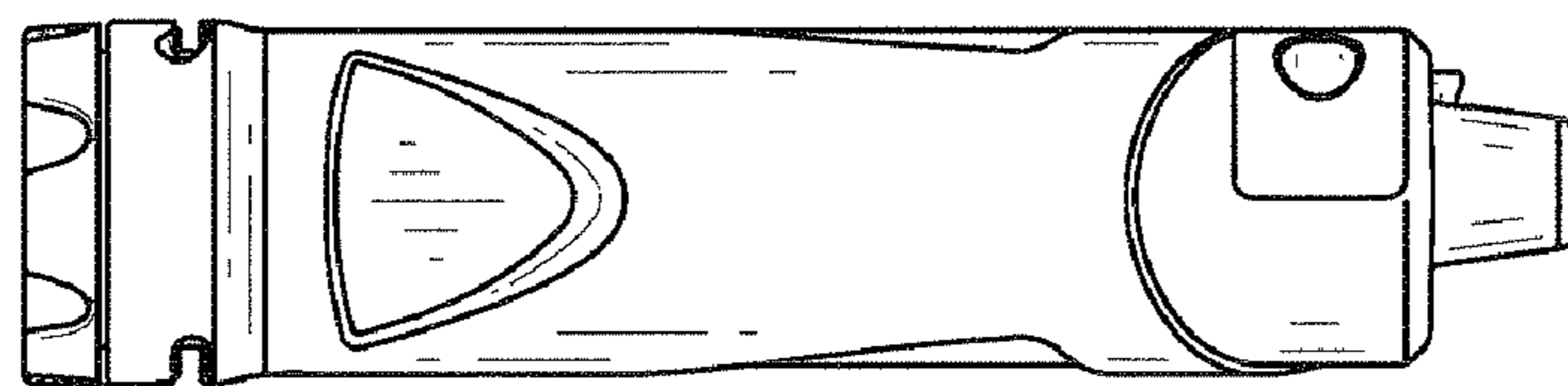


Fig. 3

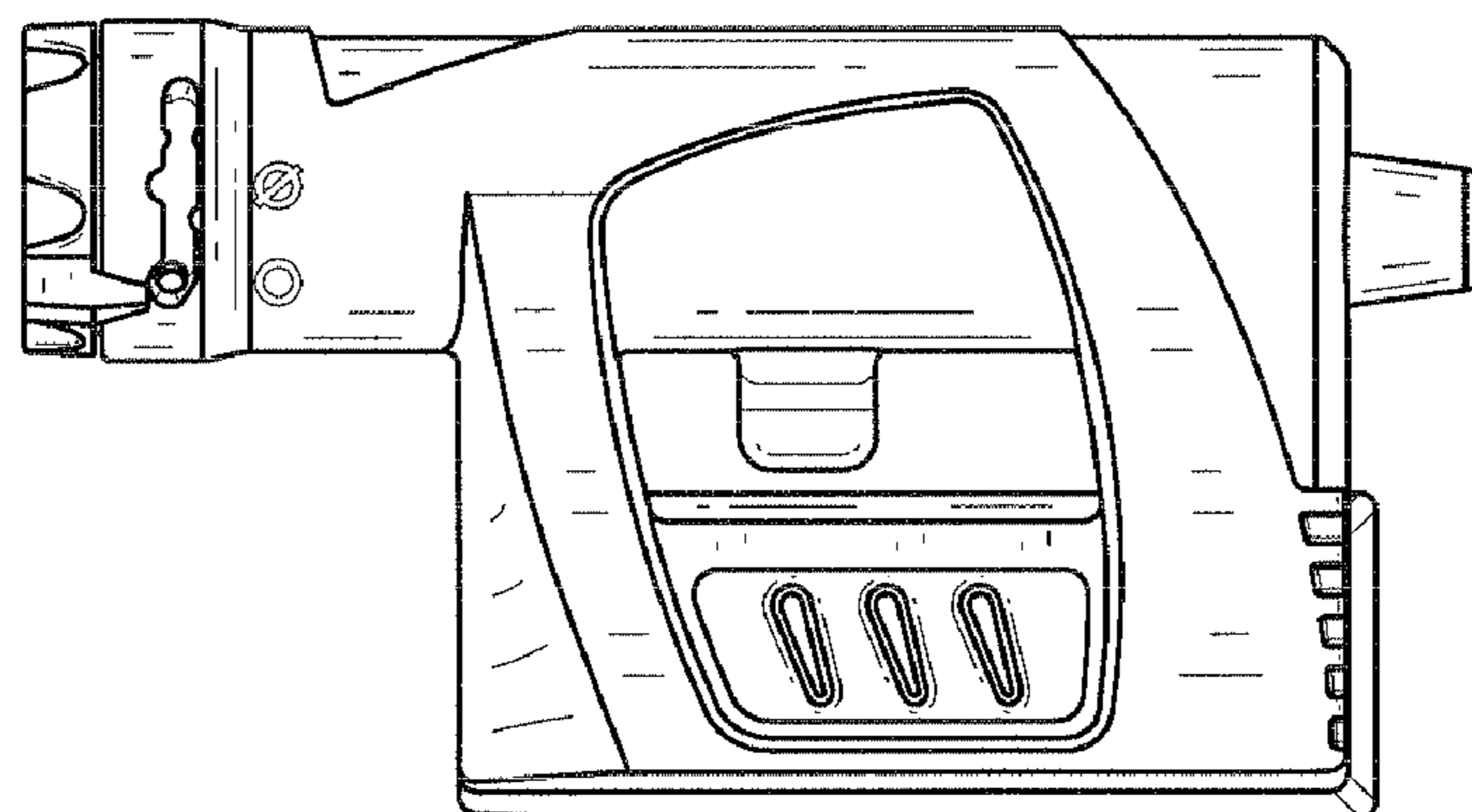


Fig. 4

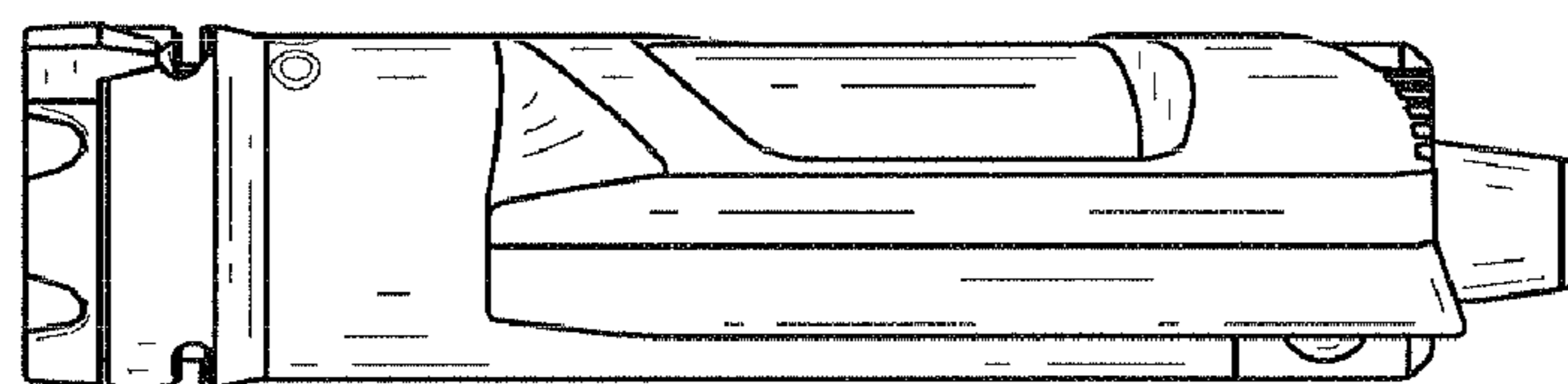


Fig. 5

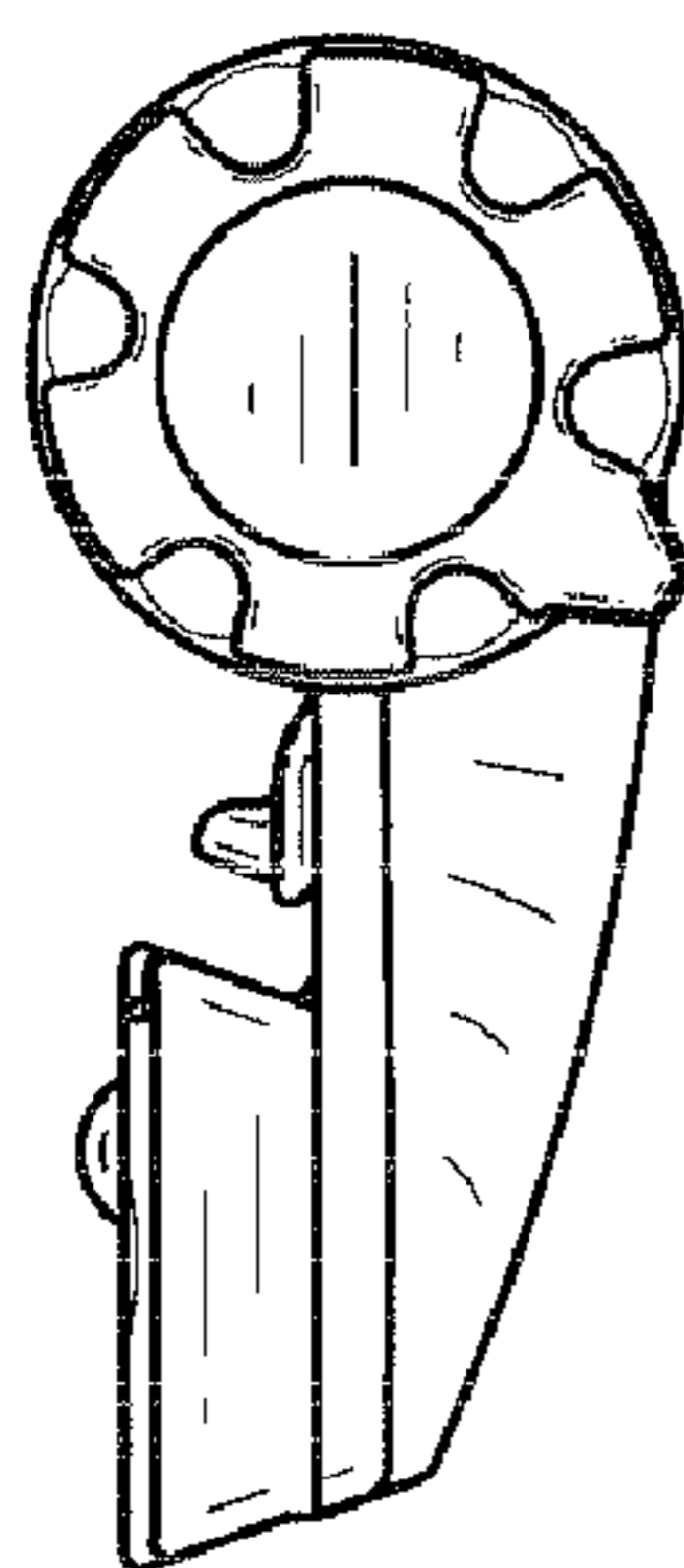


Fig. 6

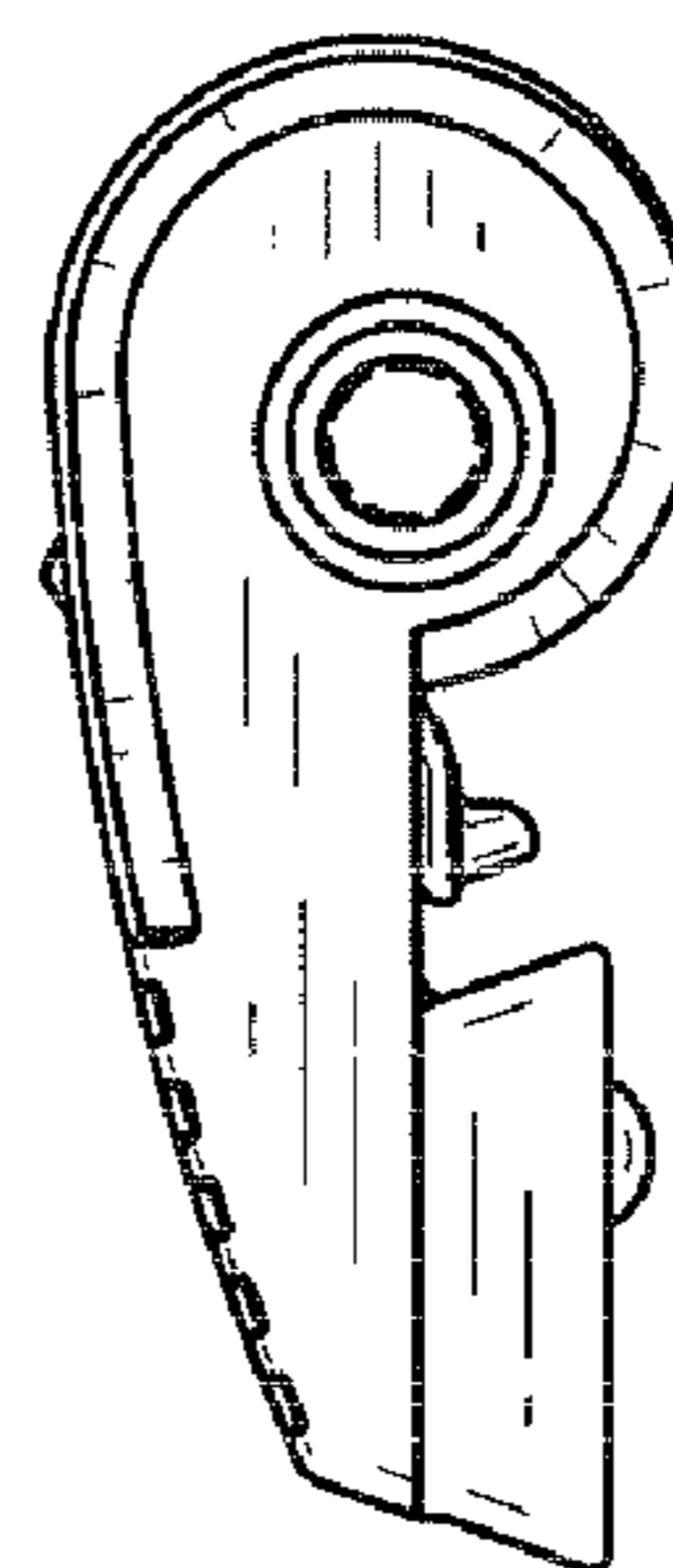


Fig. 7

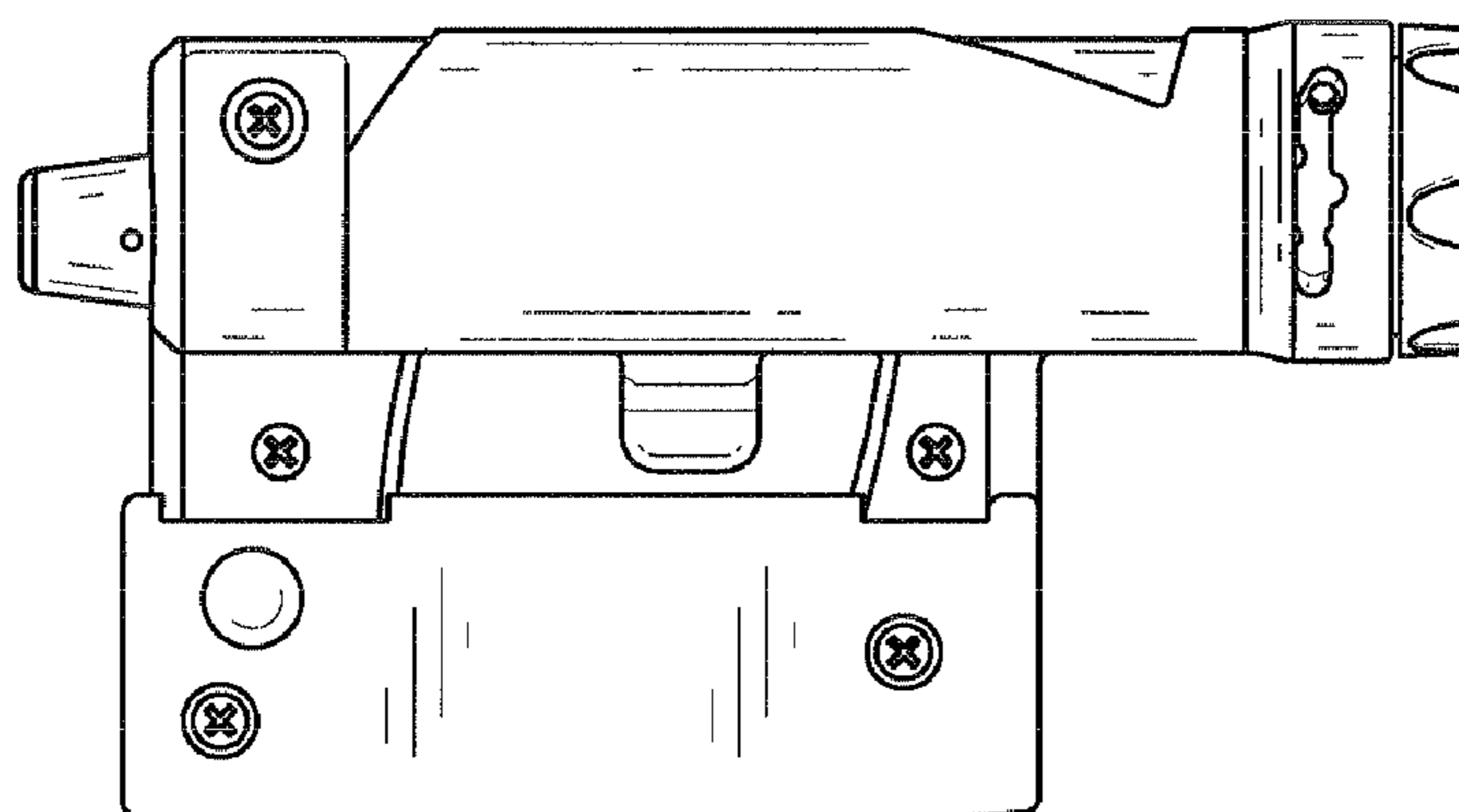


Fig. 8