



US00D653797S

(12) **United States Design Patent**
McKee

(10) **Patent No.:** **US D653,797 S**

(45) **Date of Patent:** **** Feb. 7, 2012**

(54) **ADJUSTABLE ARMATURE ASSEMBLY
INCLUDING PIVOTABLE KNUCKLE**

(75) Inventor: **Luke C. McKee**, Oskaloosa, IA (US)

(73) Assignee: **Musco Corporation**, Oskaloosa, IA
(US)

(**) Term: **14 Years**

(21) Appl. No.: **29/377,605**

(22) Filed: **Oct. 22, 2010**

(51) **LOC (9) Cl.** **26-99**

(52) **U.S. Cl.** **D26/138**

(58) **Field of Classification Search** D26/38,
D26/36, 46, 73, 76, 81, 84, 88, 118, 138,
D26/120, 13, 154, 155, 145, 86, 87, 85, 142,
D26/61, 24, 93, 92, 153, 91, 89, 74, 121,
D26/122, 71, 110, 105, 111, 131, 83, 80,
D26/1, 2, 3, 4, 5, 26, 123, 125, 128, 63, 62,
D26/64, 65, 41, 69, 139, 152, 150, 151, 141,
D26/143, 144, 51, 140; 362/269, 648, 238,
362/111, 105, 86, 373, 294, 362, 297, 346,
362/341, 356, 352, 433, 404, 235, 240, 249.01–249.11,
362/321, 287, 374, 427, 190, 281, 324, 272,
362/244, 555, 147, 348, 263, 350; D10/11,
D10/114.1; D22/108; 42/146, 117, 114,
42/115, 116, 142, 1.01; 439/110; 403/92,
403/97; 285/69, 78, 65; 257/89; D16/221;
D13/110, 133, 134, 179, 180, 182; 160/332;
D11/90, 89, 121, 125, 131; D25/119, 124,
D25/125, 138; D23/386; D8/373, 354, 349,
D8/389, 382, 363, 356, 377

See application file for complete search history.

(56) **References Cited**

U.S. PATENT DOCUMENTS

1,697,710	A *	1/1929	Bostroem	403/97
D173,139	S *	10/1954	Black	D26/138
3,533,648	A *	10/1970	Thieberger	285/272
3,604,916	A *	9/1971	Adra et al.	362/267
3,879,066	A *	4/1975	Kozinski	285/69
4,008,910	A *	2/1977	Roche	285/153.1
4,143,413	A *	3/1979	Kelly	362/418
4,190,881	A *	2/1980	Drost et al.	362/249.01
D254,694	S *	4/1980	Drost et al.	D26/63
D257,891	S *	1/1981	Drost et al.	D26/69
4,450,507	A *	5/1984	Gordin	362/463
4,543,007	A *	9/1985	Quiogue	403/97
4,626,975	A *	12/1986	Miletich	362/418
4,712,167	A *	12/1987	Gordin et al.	362/233

(Continued)

Primary Examiner — Kevin Rudzinski

(74) *Attorney, Agent, or Firm* — McKee, Voorhees & Sease,
P.L.C.

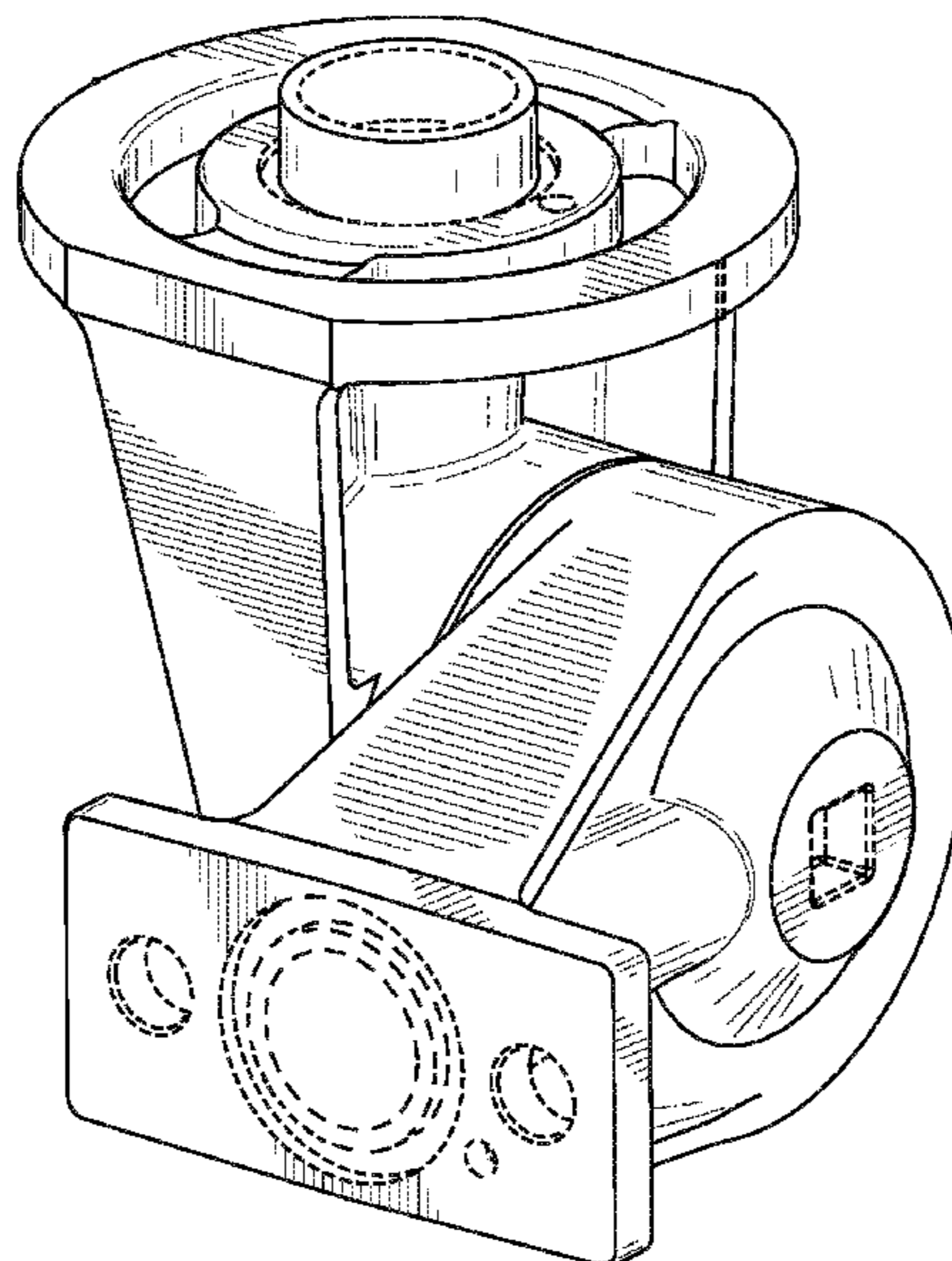
(57) **CLAIM**

The ornamental design for an adjustable armature assembly including pivotable knuckle, as shown and described.

DESCRIPTION

FIG. 1 is a perspective view of the claimed design in a first operational orientation;
FIG. 2 is a front elevation of FIG. 1;
FIG. 3 is a top plan view of FIG. 1;
FIG. 4 is a back elevation of FIG. 1;
FIG. 5 is a bottom plan view of FIG. 1;
FIG. 6 is a right side elevation of FIG. 1;
FIG. 7 is a left side elevation of FIG. 1;
FIG. 8 is a perspective view of the claimed design in a different operational orientation; and,
FIG. 9 is a perspective view of the claimed design in a still different operational orientation.
The broken lines which define the bounds of the claimed design form no part thereof.

1 Claim, 9 Drawing Sheets



US D653,797 S

Page 2

U.S. PATENT DOCUMENTS

4,747,623	A *	5/1988	Newcomb et al.	285/69	5,964,522	A *	10/1999	Schaefer et al.	362/350
4,811,181	A *	3/1989	Jones	362/287	6,059,429	A *	5/2000	Bodell	362/287
4,864,476	A *	9/1989	Lemons et al.	362/348	D550,879	S *	9/2007	Korpi	D26/63
5,012,398	A *	4/1991	Jones et al.	362/249.07	D551,372	S *	9/2007	Korpi	D26/63
5,062,179	A *	11/1991	Huang	16/436	D552,782	S *	10/2007	Korpi	D26/63
5,161,883	A *	11/1992	Gordin et al.	362/263	D573,285	S *	7/2008	Zettl	D26/63
D336,536	S *	6/1993	Shaanan et al.	D26/140	7,494,252	B1 *	2/2009	Thornton et al.	362/294
D360,703	S *	7/1995	Sandell	D26/63	D622,900	S *	8/2010	Chiu et al.	D26/140
D375,572	S *	11/1996	Sandell	D26/63	7,918,588	B2 *	4/2011	Gordin et al.	362/296.01
5,584,574	A *	12/1996	Haddad	362/359	D641,926	S *	7/2011	Camarota et al.	D26/140
5,690,419	A *	11/1997	Siems	362/269	2006/0176704	A1 *	8/2006	Gordin et al.	362/351
D399,327	S *	10/1998	Lin	D26/63	2006/0187663	A1 *	8/2006	Gordin et al.	362/350
5,906,425	A *	5/1999	Gordin et al.	362/153.1	2011/0149582	A1 *	6/2011	McKee	362/382

* cited by examiner

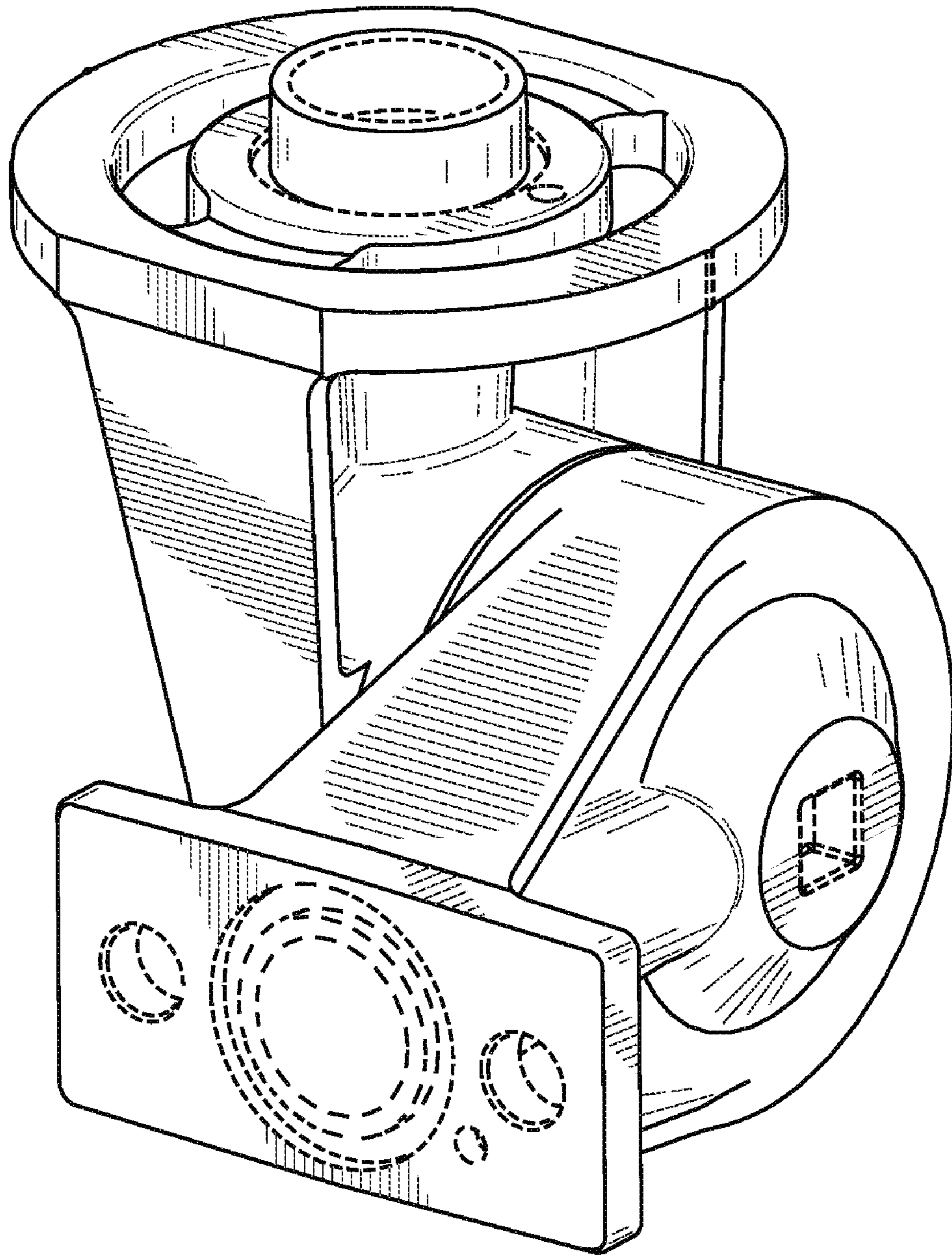


FIG. 1

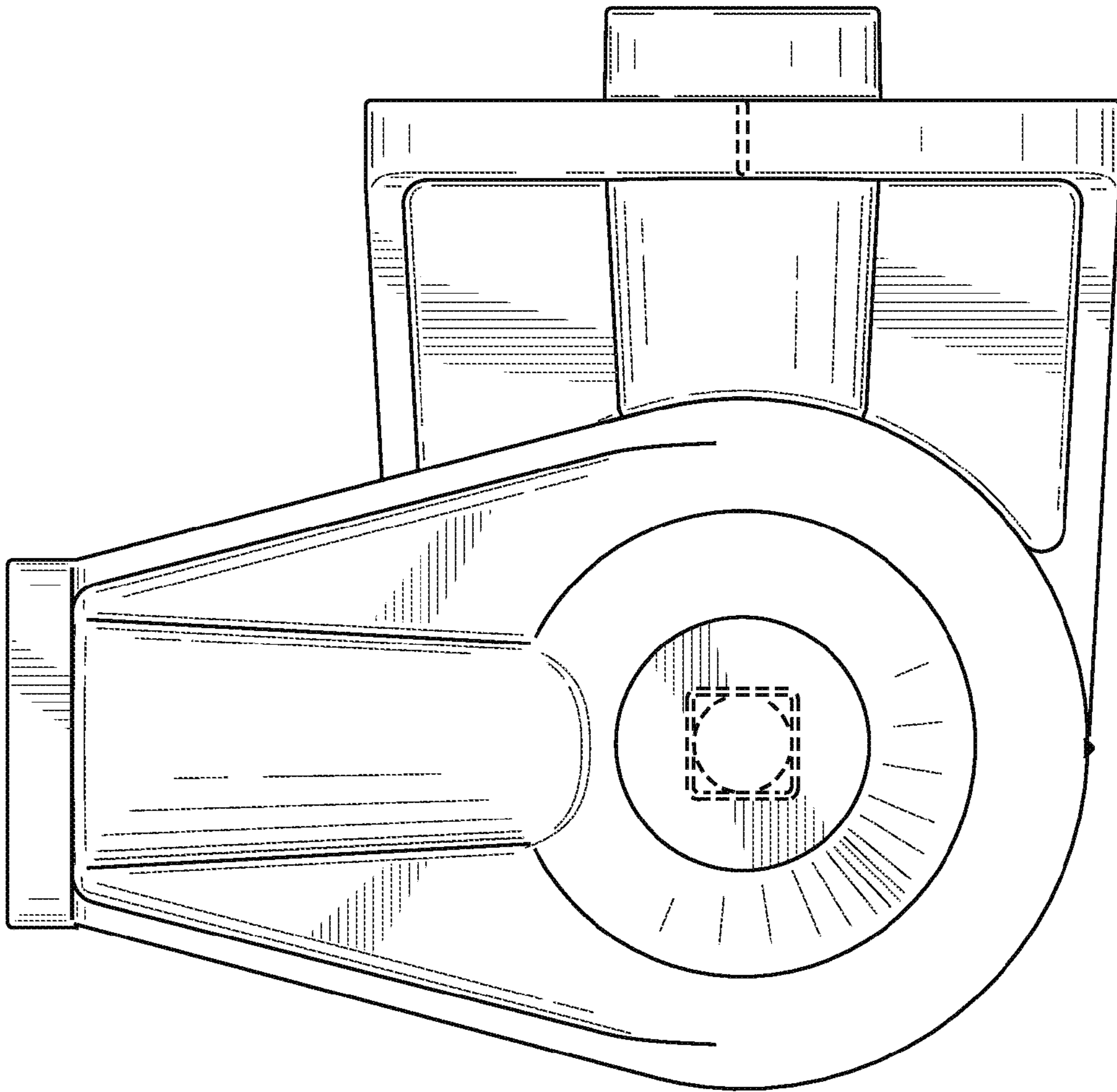


FIG. 2

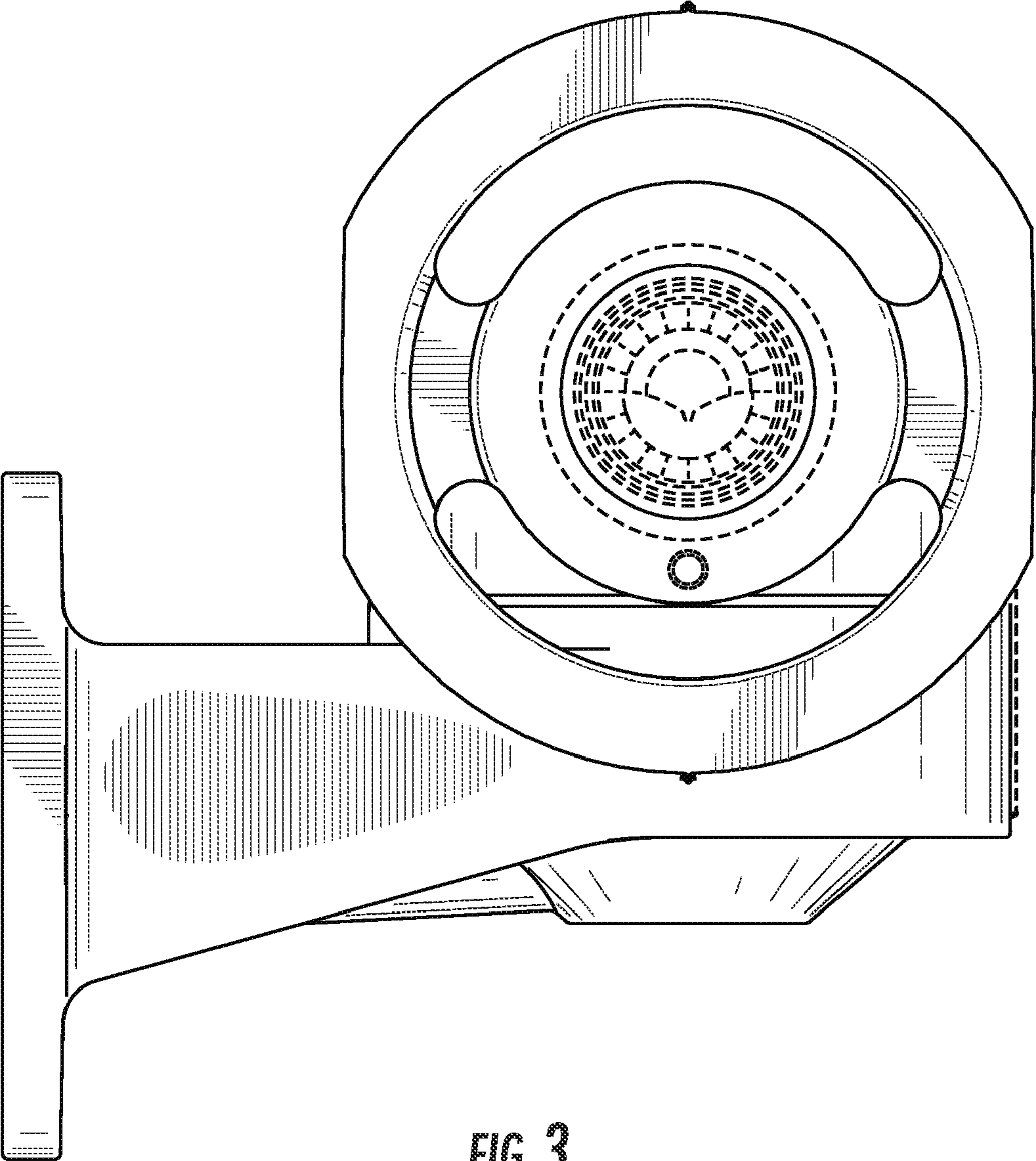


FIG. 3

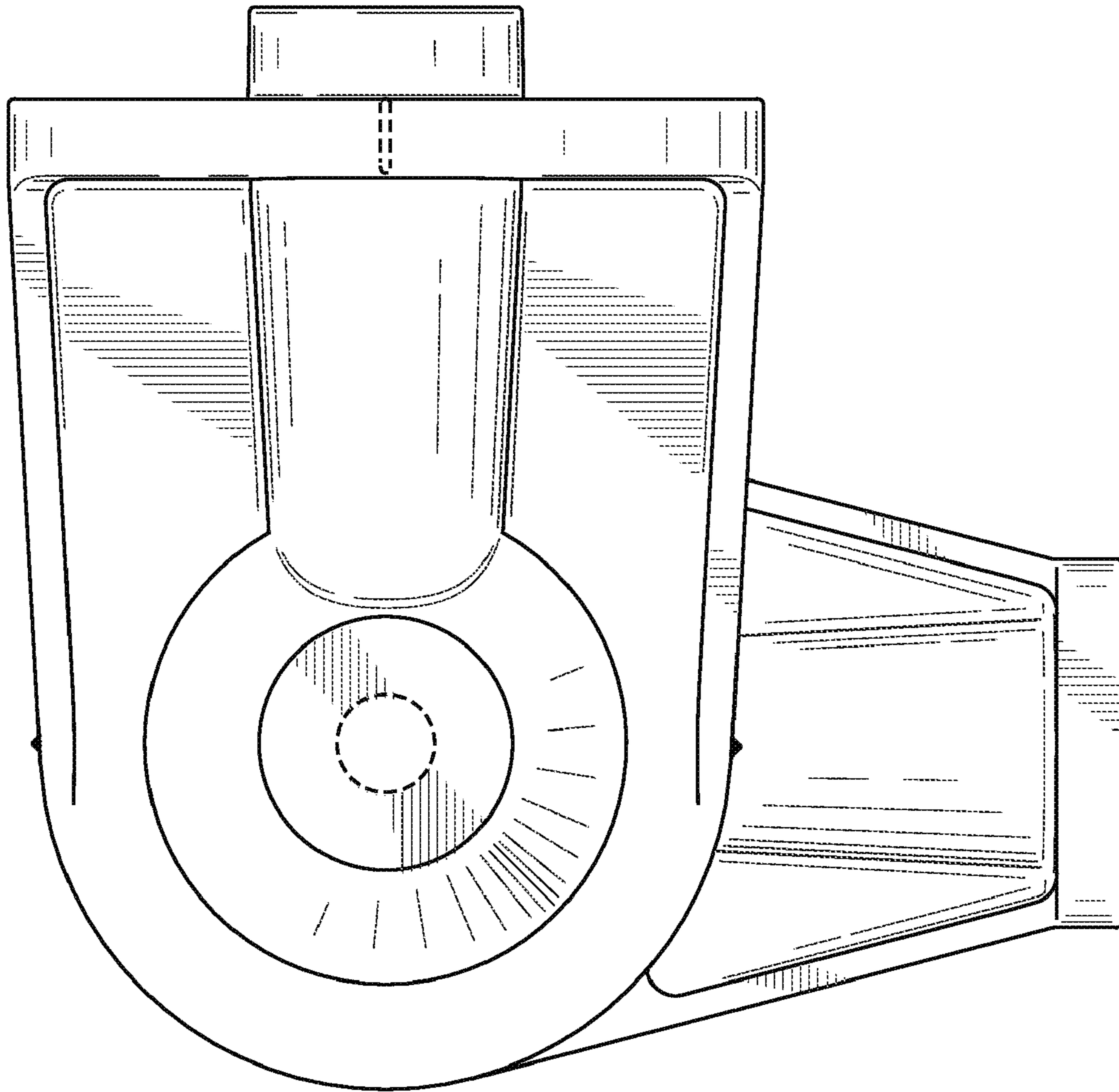


FIG. 4

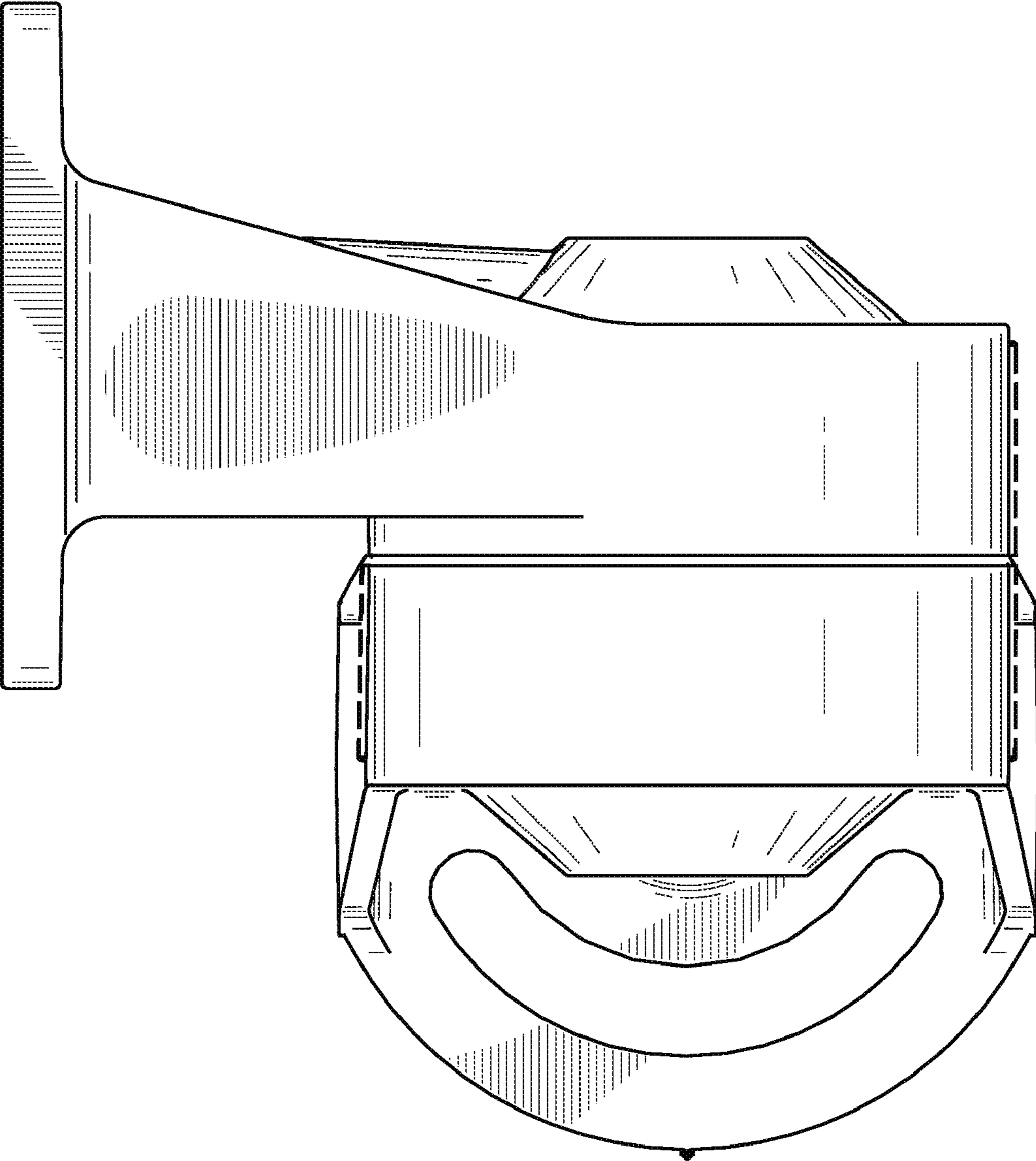


FIG. 5

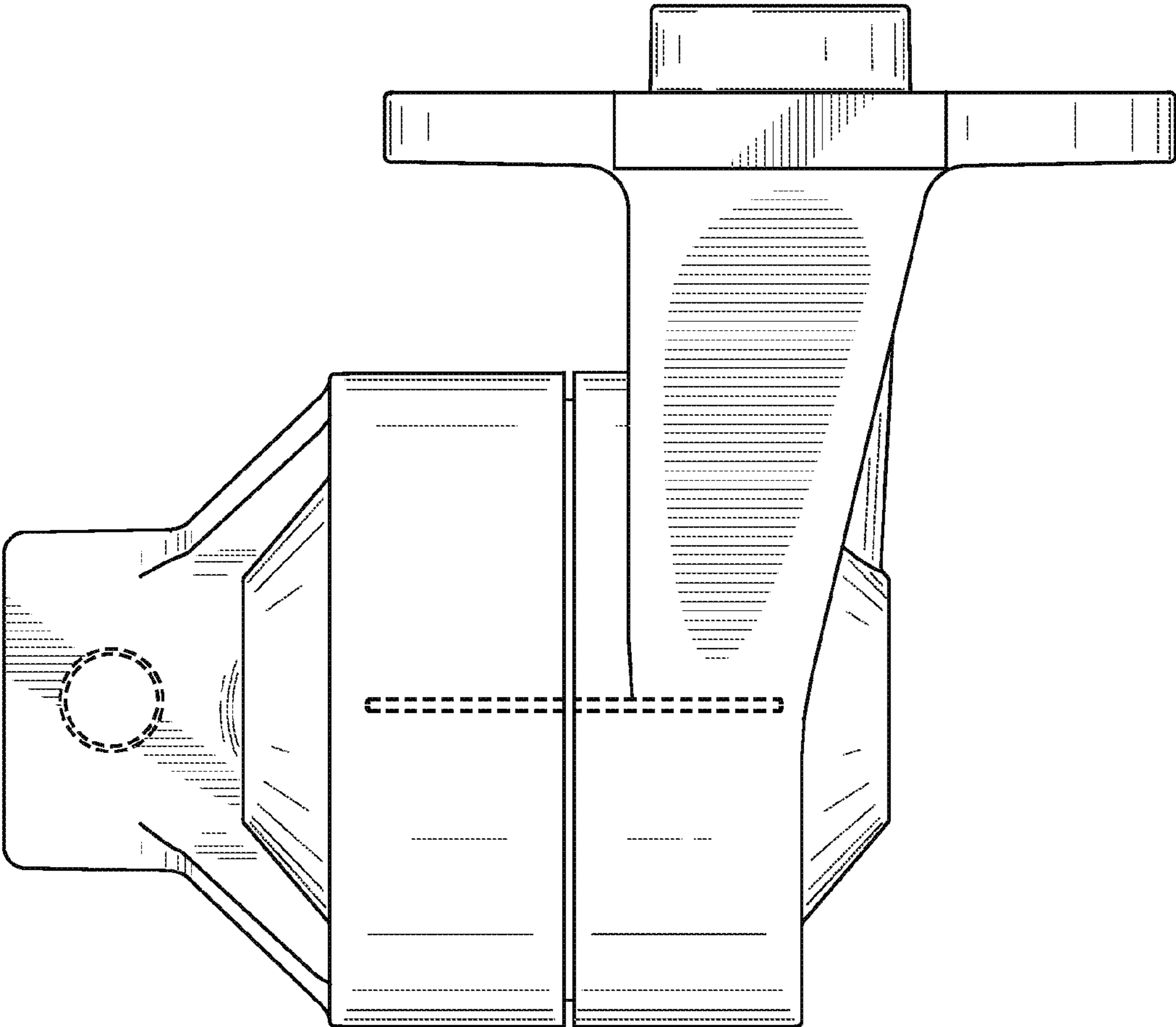


FIG. 6

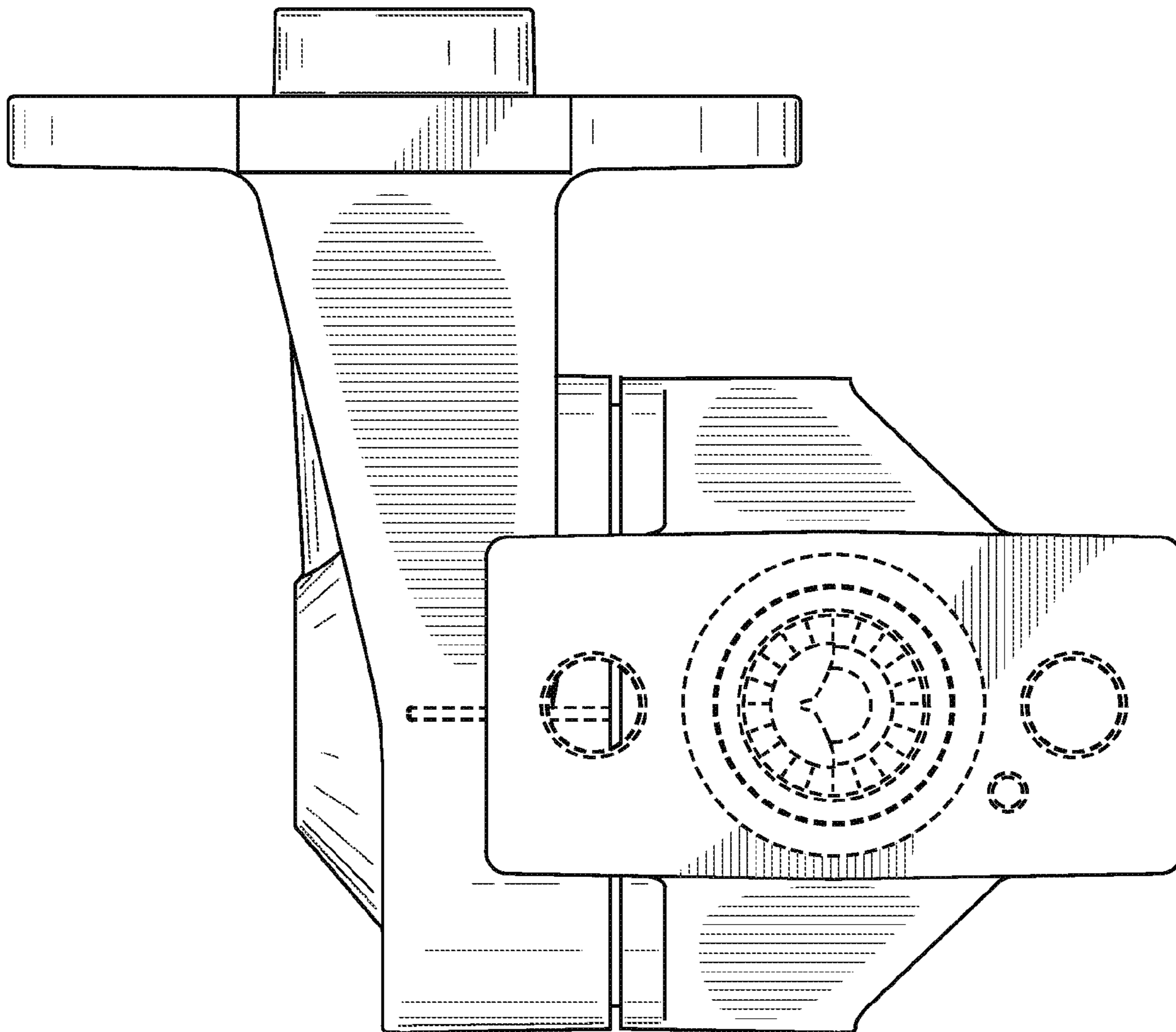


FIG. 7

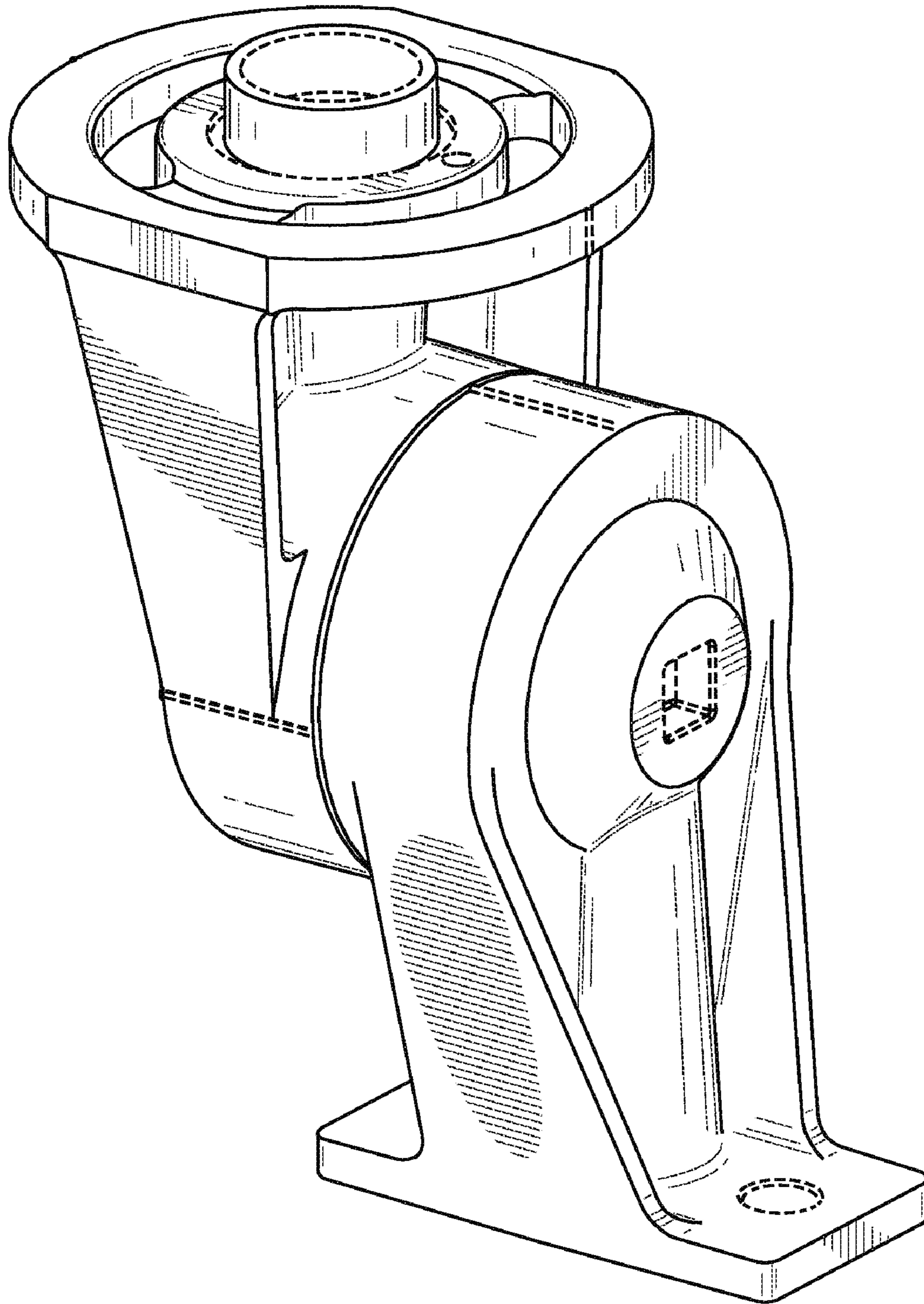


FIG. 8

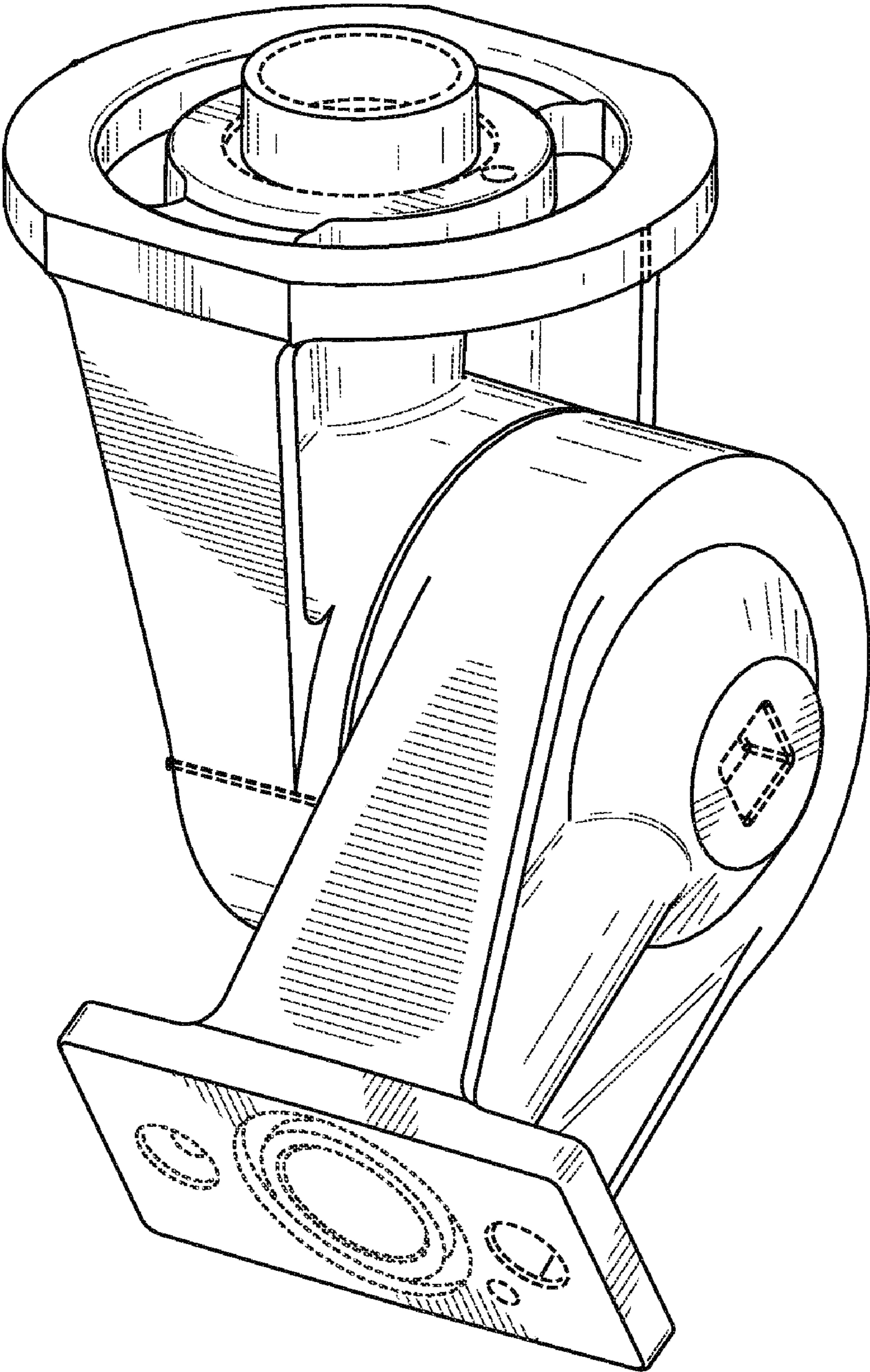


FIG. 9