



US00D653796S

(12) **United States Design Patent**  
**Friedman**

(10) **Patent No.:** **US D653,796 S**

(45) **Date of Patent:** **\*\* Feb. 7, 2012**

(54) **LIGHTING FIXTURE**

(75) **Inventor:** **Frank A. Friedman**, Mill Valley, CA  
(US)

(73) **Assignee:** **ABL IP Holding, LLC**, Conyers, GA  
(US)

(\*\*) **Term:** **14 Years**

(21) **Appl. No.:** **29/393,063**

(22) **Filed:** **May 28, 2011**

**Related U.S. Application Data**

(63) Continuation of application No. 29/375,377, filed on  
Sep. 21, 2010, now Pat. No. Des. 638,981.

(51) **LOC (9) Cl.** ..... **26-99**

(52) **U.S. Cl.** ..... **D26/118**

(58) **Field of Classification Search** ..... D26/38,  
D26/36, 46, 73, 76, 81, 84, 88, 118, 138,  
D26/120, 13, 154, 155, 145, 86, 87, 85, 142,  
D26/61, 24, 93, 92, 153, 91, 89, 74, 121,  
D26/122, 71, 110, 105, 111, 131, 83, 80,  
D26/1, 2, 3, 4, 5, 26, 123, 125, 128, 63, 62,  
D26/64, 65, 41, 69, 139, 152, 150, 151, 141,  
D26/143, 144, 51, 140; 362/269, 648, 238,  
362/111, 105, 86, 373, 294, 362, 297, 346,  
362/341, 356, 352, 433, 404, 235, 240, 249.01-249.11,  
362/321, 287, 374, 427, 190, 281, 324, 272,  
362/244, 555, 147, 348, 263, 350; D10/11,  
D10/114.1; D22/108; 42/146, 117, 114,  
42/115, 116, 142, 1.01; 439/110; 403/92,  
403/97; 285/69, 78, 65; 257/89; D16/221;  
D13/110, 133, 134, 179, 180, 182; 160/332;  
D11/90, 89, 121, 125, 131; D25/119, 124,  
D25/125, 138; D23/386; D8/373, 354, 349,  
D8/389, 382, 363, 356, 377

See application file for complete search history.

(56) **References Cited**

U.S. PATENT DOCUMENTS

D136,382 S *	9/1943	Guth	.....	D26/138
D178,575 S *	8/1956	Larson	.....	D26/24
D201,765 S *	7/1965	Mox	.....	D26/71
D203,405 S *	1/1966	Crawford	.....	D26/90
D239,460 S *	4/1976	Schacht	.....	D26/84
4,428,030 A *	1/1984	Baliozian	.....	362/18
4,616,293 A *	10/1986	Baliozian	.....	362/7
D293,723 S *	1/1988	Buttner	.....	D26/129
D300,877 S *	4/1989	Cyr	.....	D26/134
D313,861 S *	1/1991	Michael	.....	D26/26
D316,301 S *	4/1991	Michael	.....	D26/24
D321,409 S *	11/1991	Bischof et al.	.....	D26/91
D346,870 S *	5/1994	Houssian	.....	D26/26

(Continued)

*Primary Examiner* — Kevin Rudzinski

(74) *Attorney, Agent, or Firm* — Beeson Skinner Beverly,  
LLP

(57) **CLAIM**

The ornamental design for a lighting fixture, as shown and  
described.

**DESCRIPTION**

FIG. 1 is a bottom perspective view of a lighting fixture  
showing my new design;

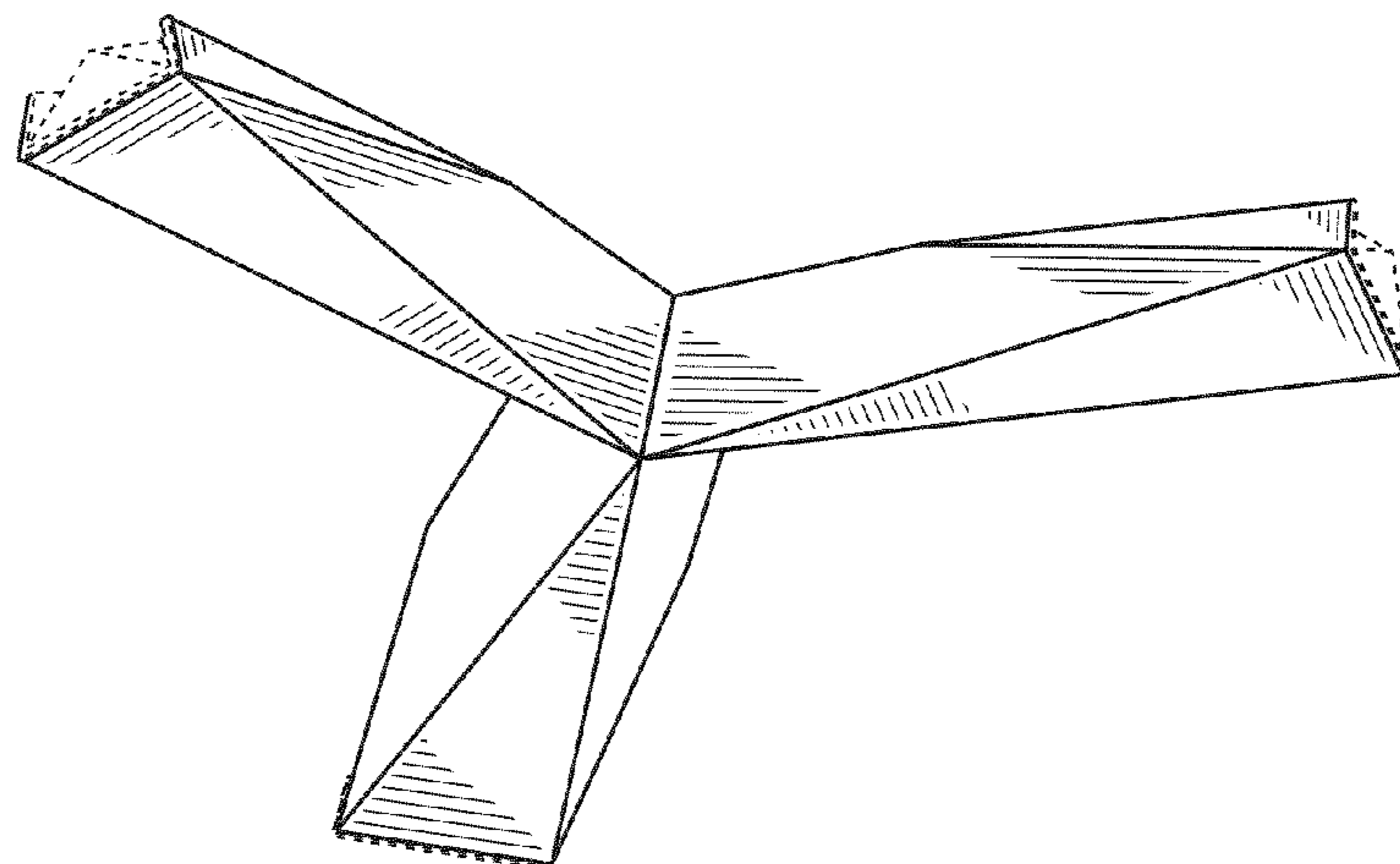
FIG. 2 is a bottom plan view thereof;

FIG. 3 is a side elevational view thereof as seen from the  
direction of lines 3-3 in FIG. 1, the similarly rotated sides  
being identical thereto; and,

FIG. 4 is a side elevational view thereof as seen from the  
direction of lines 4-4 in FIG. 1, the similarly rotated sides  
being identical thereto.

The top of the lighting fixture is not part of the claimed design  
and therefore is not shown. The broken line showing of end  
caps on the arms of the lighting fixture are for illustrative  
purposes only; the broken lines form no part of the claimed  
design.

**1 Claim, 1 Drawing Sheet**



# US D653,796 S

Page 2

---

## U.S. PATENT DOCUMENTS

D394,518 S *	5/1998	Burrow .....	D26/85	D581,090 S *	11/2008	Colleran et al. ....	D26/122
D500,878 S *	1/2005	Lewis et al. ....	D26/76	D638,981 S *	5/2011	Friedman .....	D26/118
D563,589 S *	3/2008	Hariri et al. ....	D26/88	D638,982 S *	5/2011	Friedman .....	D26/118

\* cited by examiner

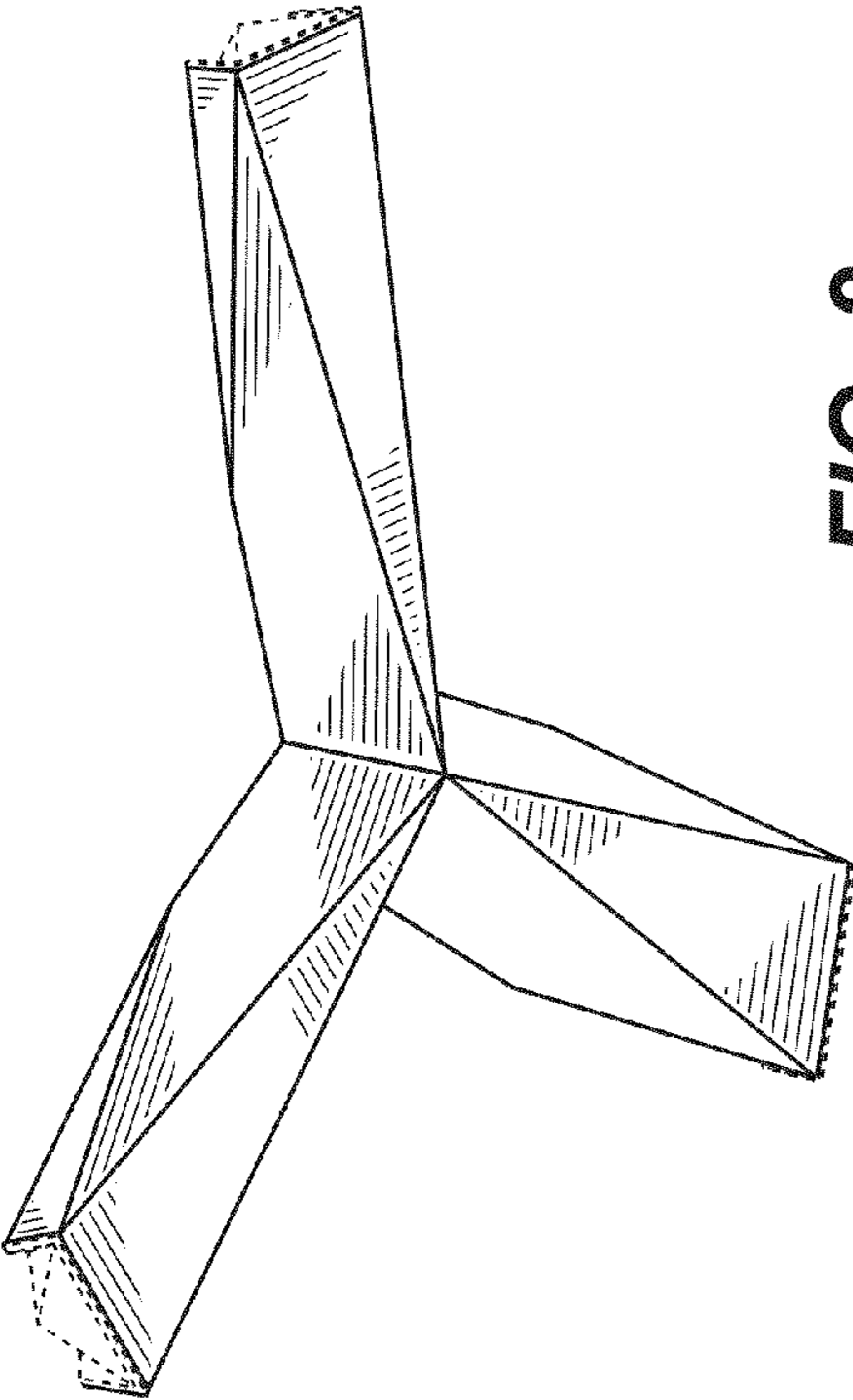


FIG. 2



FIG. 4

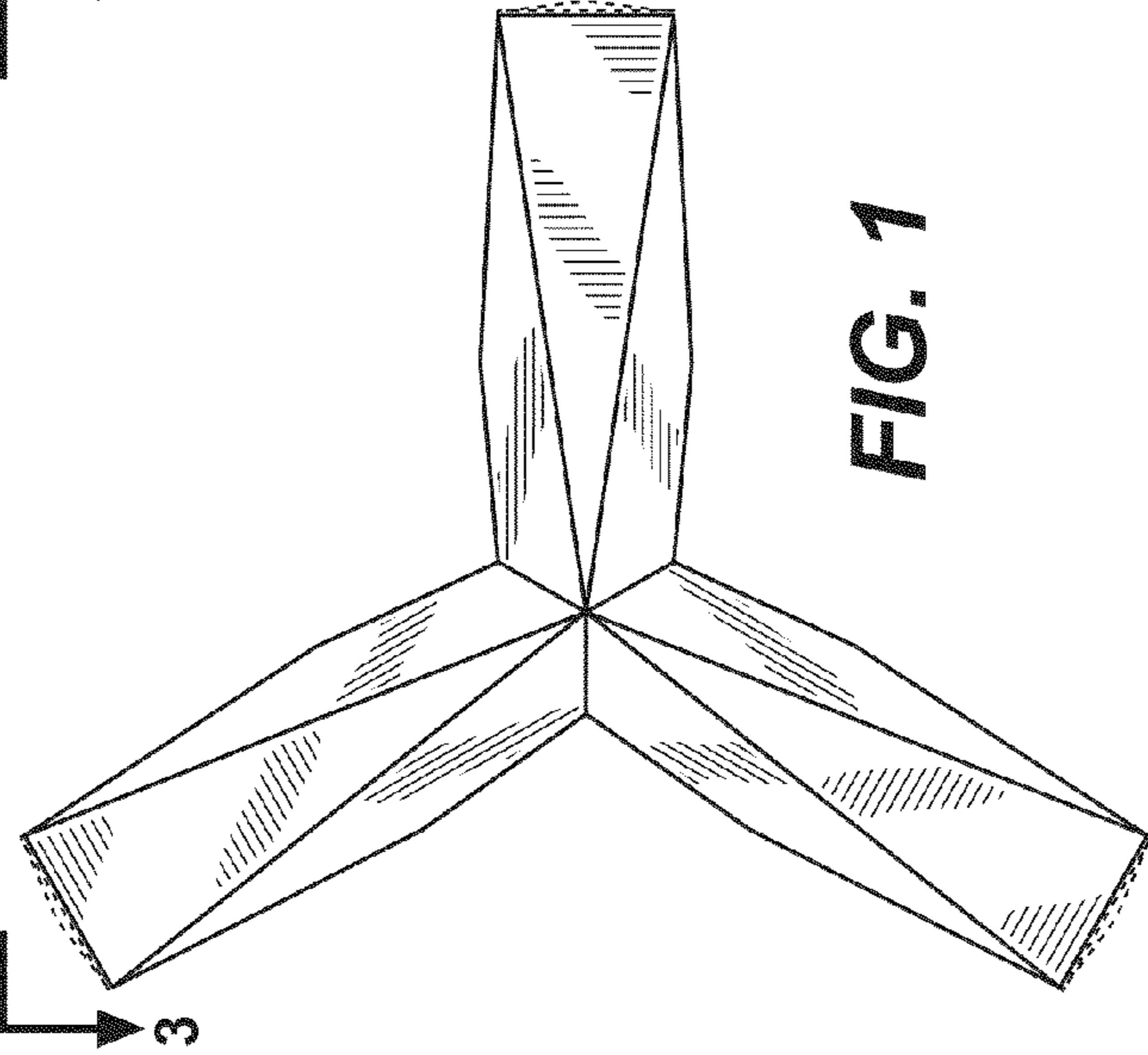


FIG. 1



FIG. 3

UNITED STATES PATENT AND TRADEMARK OFFICE  
**CERTIFICATE OF CORRECTION**

PATENT NO. : D653,796 S  
APPLICATION NO. : 29/393063  
DATED : February 7, 2012  
INVENTOR(S) : Frank A. Friedman

Page 1 of 1

It is certified that error appears in the above-identified patent and that said Letters Patent is hereby corrected as shown below:

In the description of Fig. 1, "bottom perspective view" should read --bottom plan view--.

In the description of Fig. 2, "bottom plan view" should read --bottom perspective view--.

Signed and Sealed this  
Thirty-first Day of July, 2012

A handwritten signature in black ink that reads "David J. Kappos". The signature is written in a cursive, slightly slanted style.

David J. Kappos  
*Director of the United States Patent and Trademark Office*