



US00D653785S

(12) **United States Design Patent**
Chen

(10) **Patent No.:** **US D653,785 S**

(45) **Date of Patent:** **** Feb. 7, 2012**

(54) **MOSAIC LAMP**

(75) Inventor: **Chi Gon Chen**, Roanoke, TX (US)

(73) Assignee: **International Development LLC**,
Roanoke, TX (US)

(**) Term: **14 Years**

(21) Appl. No.: **29/394,455**

(22) Filed: **Jun. 16, 2011**

(51) **LOC (9) Cl.** **26-05**

(52) **U.S. Cl.** **D26/68**

(58) **Field of Classification Search** D26/67-72,
D26/85, 128, 130; 362/183, 427, 431, 311.13,
362/322, 324, 277, 348

See application file for complete search history.

(56) **References Cited**

U.S. PATENT DOCUMENTS

D73,631 S *	10/1927	Wolter	D26/24
D83,238 S *	2/1931	McFadden	D26/87
D83,935 S *	4/1931	Wing	D26/87
D84,097 S *	5/1931	McFadden	D26/87
D92,538 S *	6/1934	Johnson et al.	D26/135
D97,423 S *	11/1935	Werring	D26/67
D174,139 S *	3/1955	Sadler	D30/128
D207,272 S *	3/1967	Seals, Jr.	D26/68
D284,312 S *	6/1986	Patel	D26/67
D328,502 S *	8/1992	Hartman	D26/68
D343,021 S *	1/1994	Compton et al.	D26/74
D468,471 S *	1/2003	Chen	D26/67
D494,698 S *	8/2004	Hon et al.	D26/67
D500,570 S *	1/2005	Tsai	D26/87

D538,377 S *	3/2007	Chen	D22/123
D556,932 S *	12/2007	Sooferian	D26/68
D557,848 S *	12/2007	Chen	D26/67
D557,849 S *	12/2007	Chen	D26/67
D601,746 S *	10/2009	Sabernig	D26/120
D629,951 S *	12/2010	Sooferian	D26/68
D639,989 S *	6/2011	Chen	D26/67
D640,407 S *	6/2011	Chen	D26/67

* cited by examiner

Primary Examiner — Clare E Heflin

(74) *Attorney, Agent, or Firm* — Brian Harris

(57) **CLAIM**

The ornamental design for a mosaic lamp, as shown and described.

DESCRIPTION

FIG. 1 is a perspective view of the mosaic lamp of the present invention, with a stake and plug showing in phantom;

FIG. 2 is a front elevation view thereof, with a stake and plug showing in phantom, the rear elevation view being a mirror image thereof;

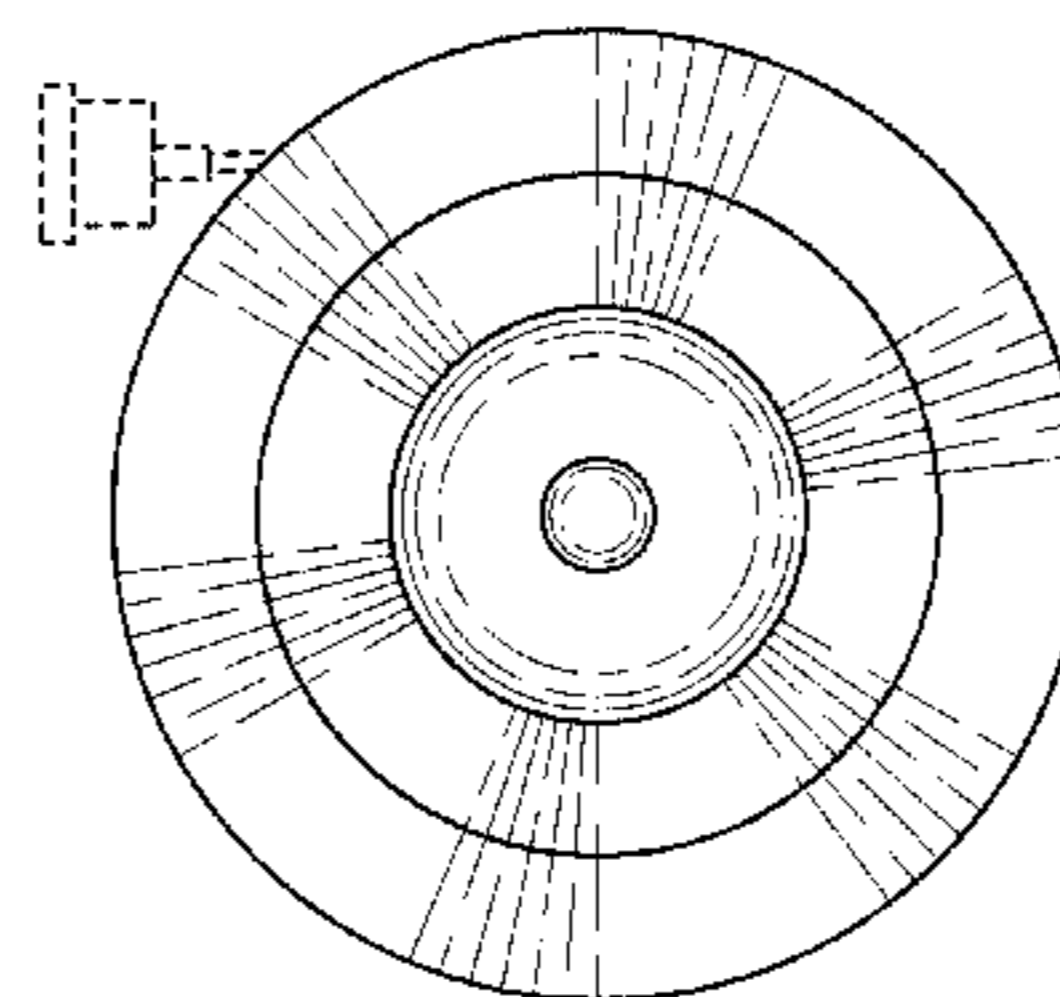
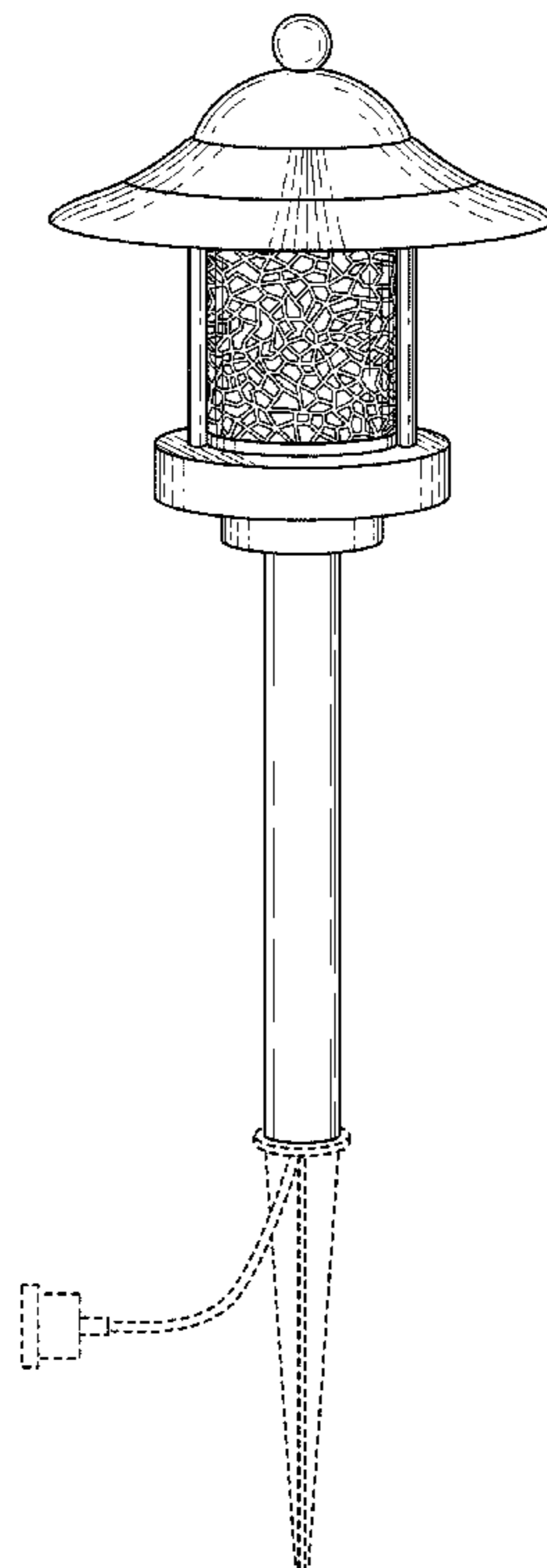
FIG. 3 is a left side elevation view thereof, with a stake and plug showing in phantom, the right side elevation view being a mirror image thereof;

FIG. 4 is a bottom plan view thereof, with a stake and plug showing in phantom; and,

FIG. 5 is a top plan view thereof, with a plug showing in phantom.

The broken lines are shown in the views for illustrative purposes only and form no part of the claimed design.

1 Claim, 2 Drawing Sheets



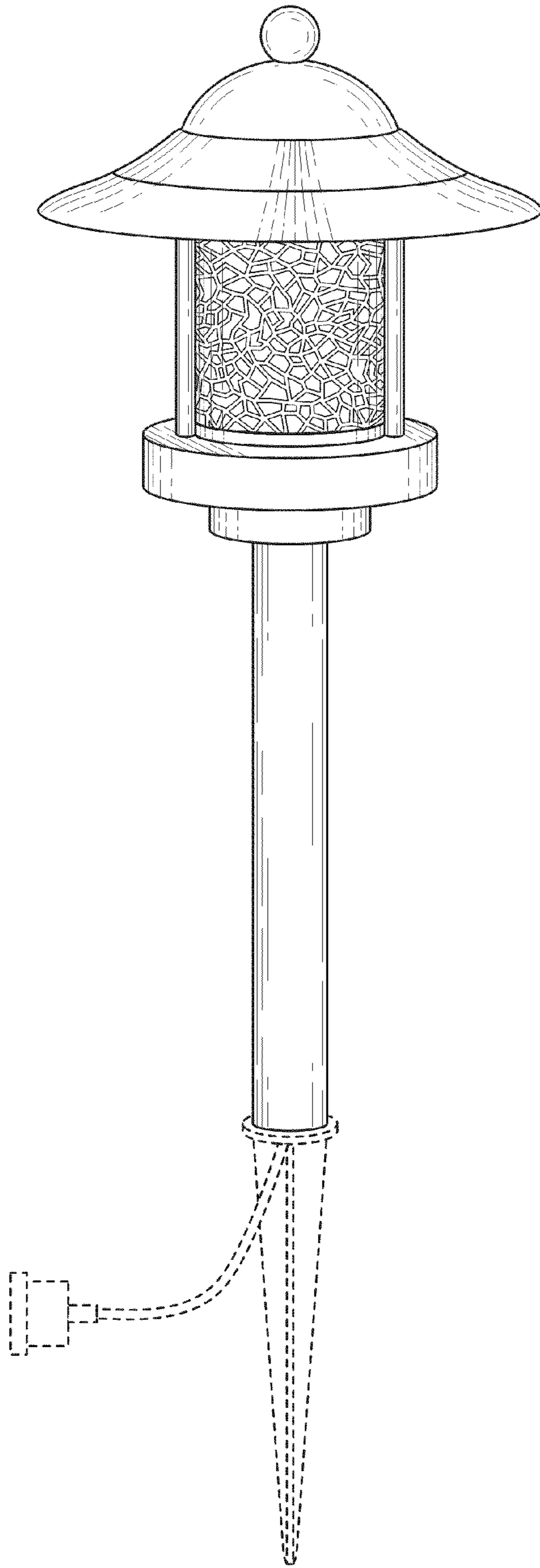


FIG. 1

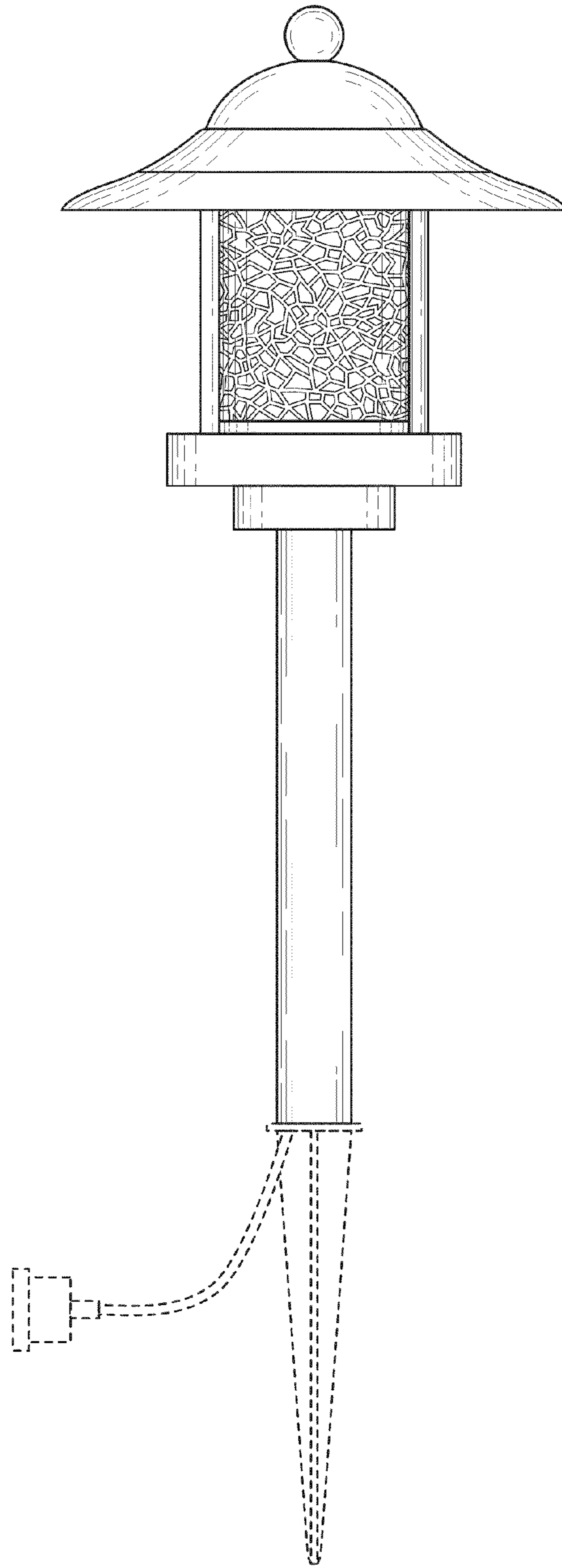


FIG. 2

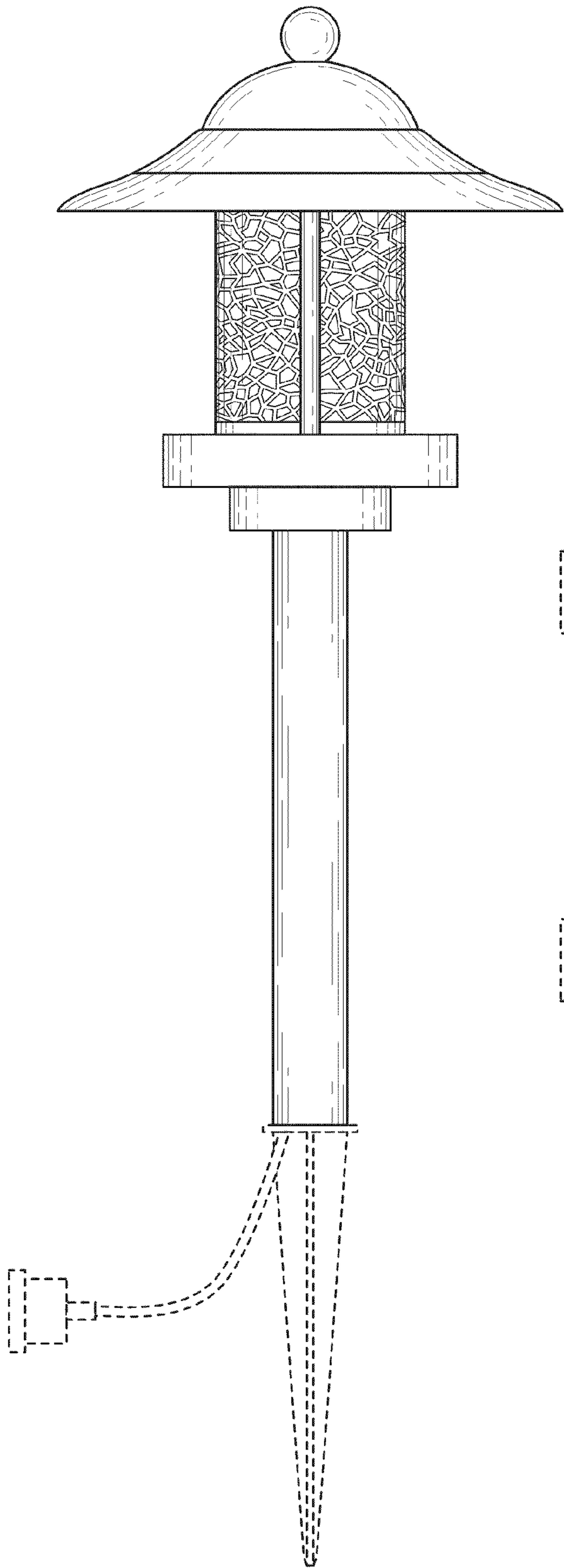


FIG. 3

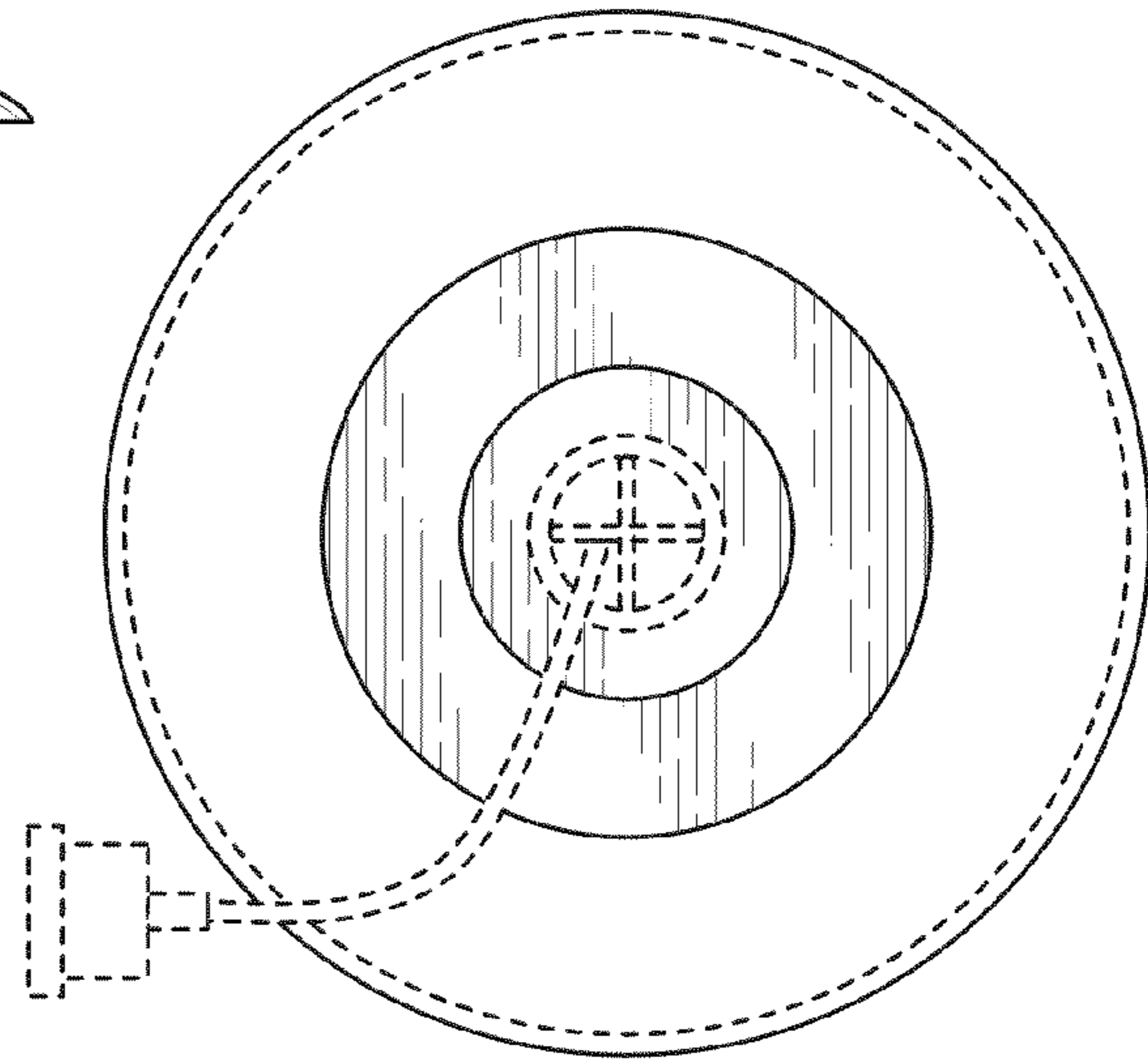


FIG. 4

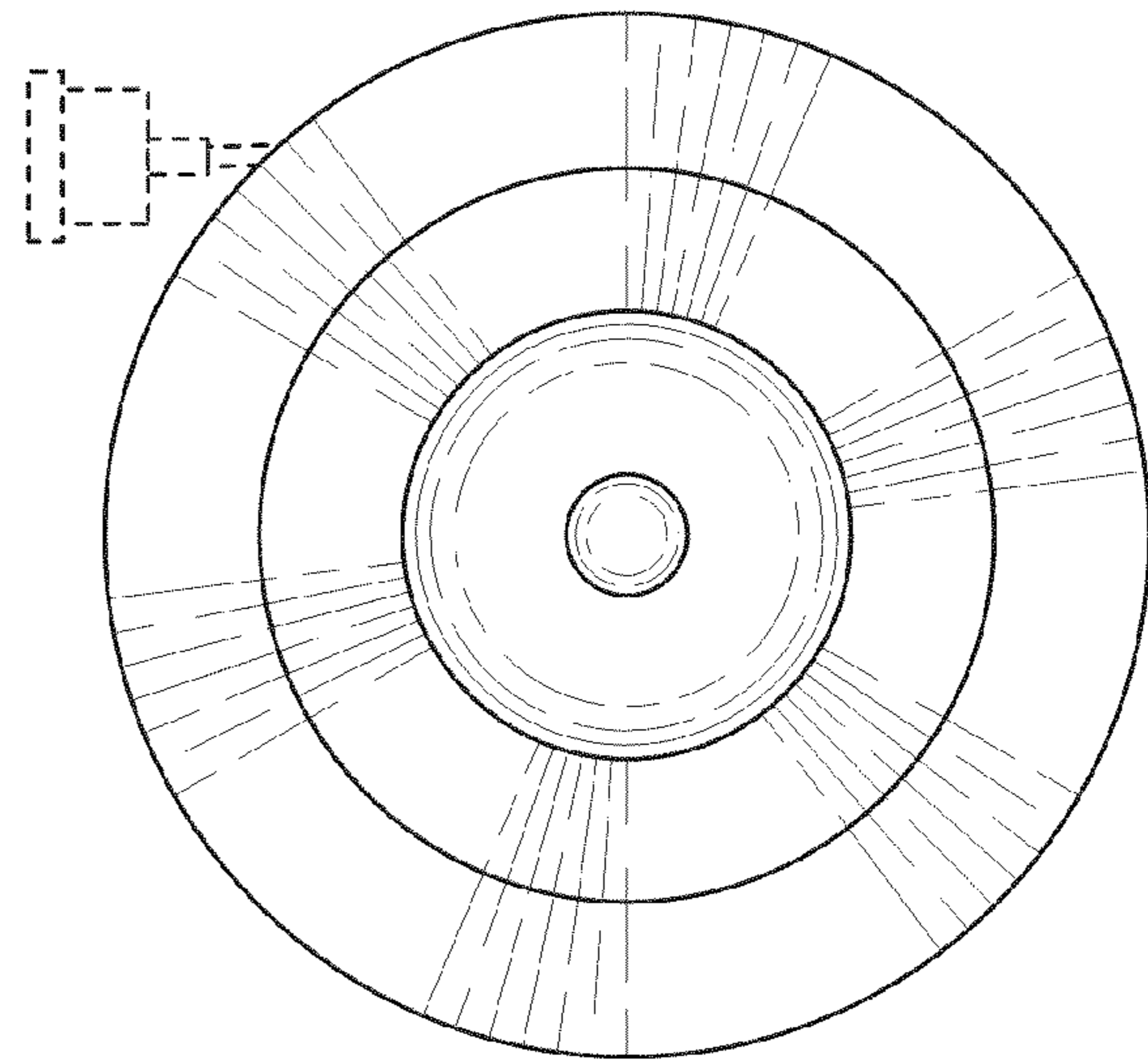


FIG. 5