



US00D653783S

(12) **United States Design Patent**
Biro et al.

(10) **Patent No.:** **US D653,783 S**
(45) **Date of Patent:** **** Feb. 7, 2012**

(54) **VEHICLE LIGHTING SYSTEM**

(75) Inventors: **Joseph Biro**, Scottsdale, AZ (US);
Anthony C. Georgitsis, Edgewood, WA
(US); **Nicholas B. Irwin**, Auburn, WA
(US)

(73) Assignee: **Vision Motor Sports**, Scottsdale, AZ
(US)

(**) Term: **14 Years**

(21) Appl. No.: **29/344,480**

(22) Filed: **Sep. 30, 2009**

(51) **LOC (9) Cl.** **26-06**

(52) **U.S. Cl.** **D26/31**

(58) **Field of Classification Search** D26/28-36;
362/459-468, 475-478, 485-487

See application file for complete search history.

(56) **References Cited**

U.S. PATENT DOCUMENTS

D526,430 S *	8/2006	Hernandez et al.	D26/31
D576,754 S *	9/2008	Wang	D26/31
D642,302 S *	7/2011	Schiavone et al.	D26/28
D643,951 S *	8/2011	Cai	D26/28

* cited by examiner

Primary Examiner — Marcus Jackson

(74) *Attorney, Agent, or Firm* — Barnes & Thornburg LLP;
Mark J. Nahnsen

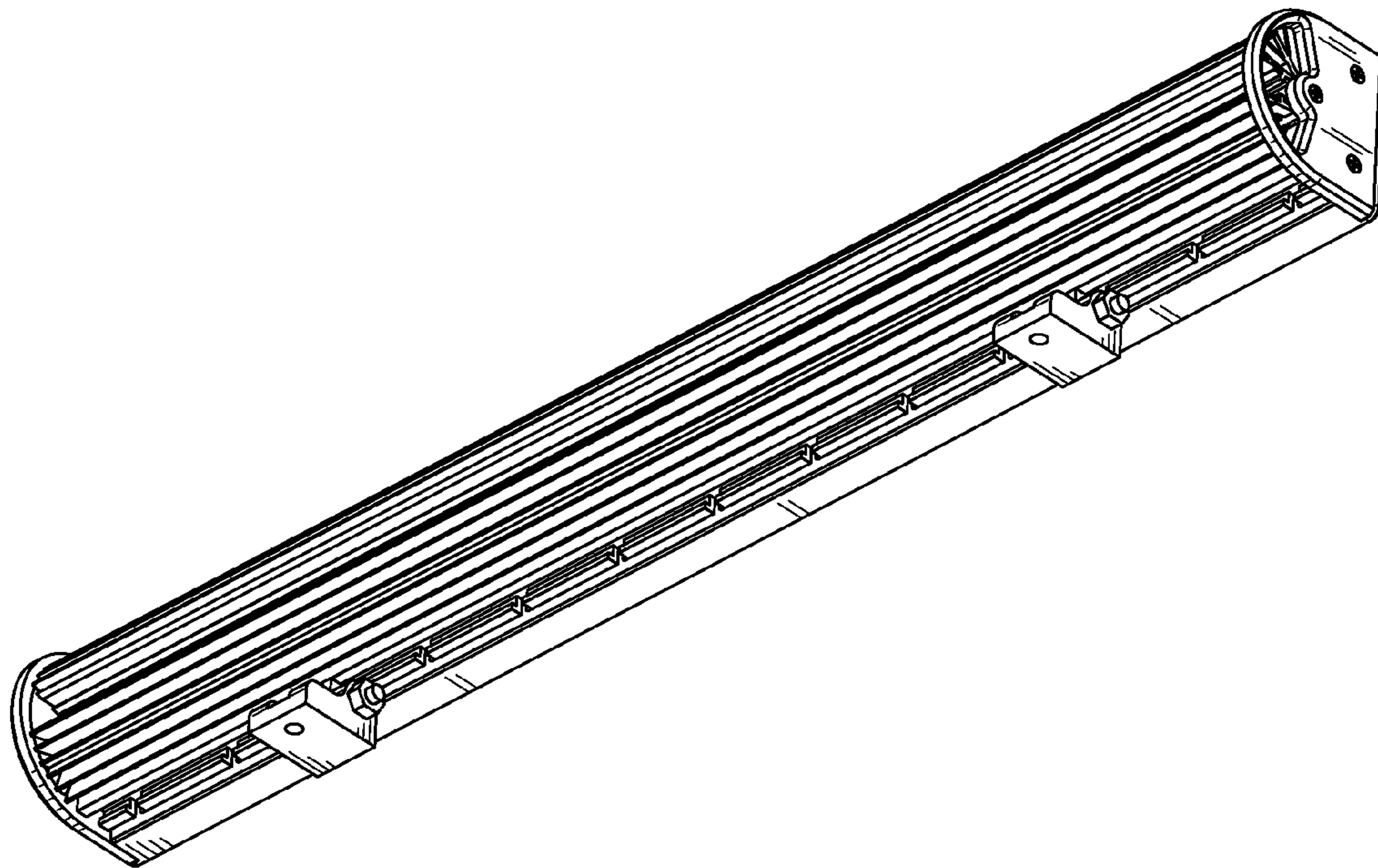
(57) **CLAIM**

The ornamental design for a vehicle lighting system, as shown and described.

DESCRIPTION

FIG. 1 is a top isometric view of a vehicle lighting system;
FIG. 2 is a bottom isometric view of the vehicle lighting system;
FIG. 3 is a front view of the vehicle lighting system;
FIG. 4 is a back view of the vehicle lighting system;
FIG. 5 is a front perspective view of the vehicle lighting system;
FIG. 6 is a rear perspective view of the vehicle lighting system;
FIG. 7 is a side elevational view of the vehicle lighting system, the other side being a mirror image;
FIG. 8 is a bottom view of the vehicle lighting system; and,
FIG. 9 is a top view of the vehicle lighting system.

1 Claim, 4 Drawing Sheets



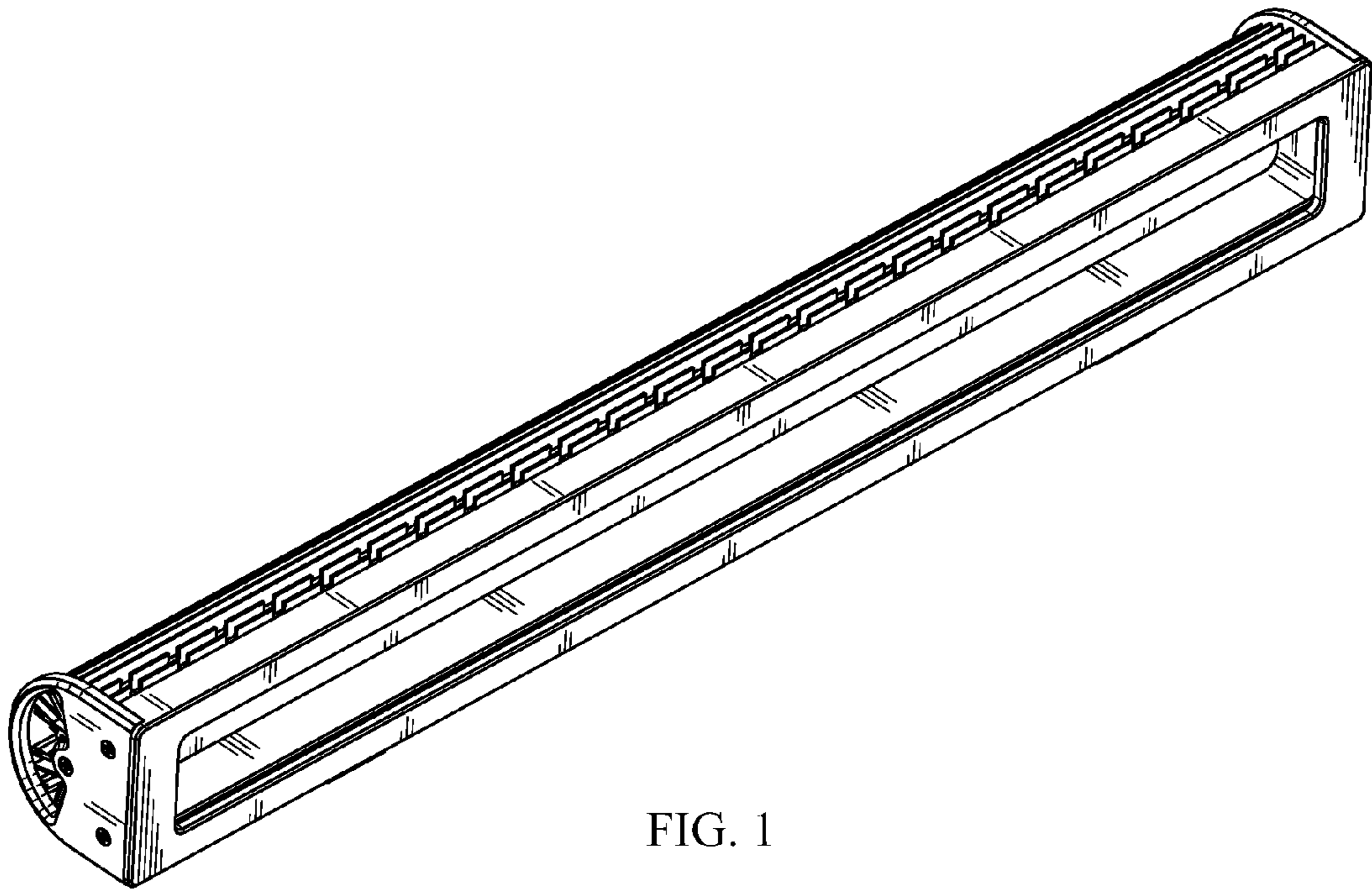


FIG. 1

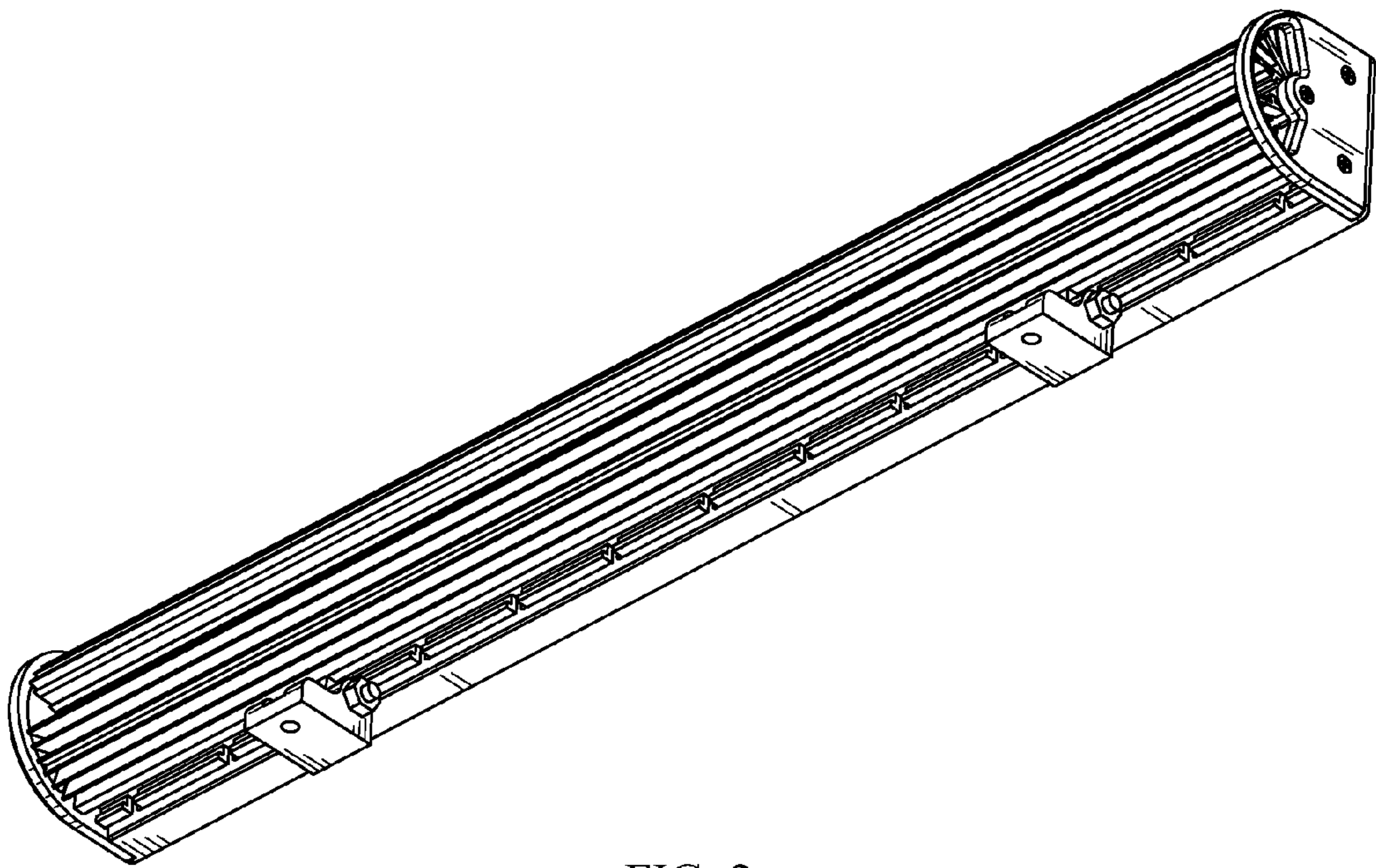


FIG. 2

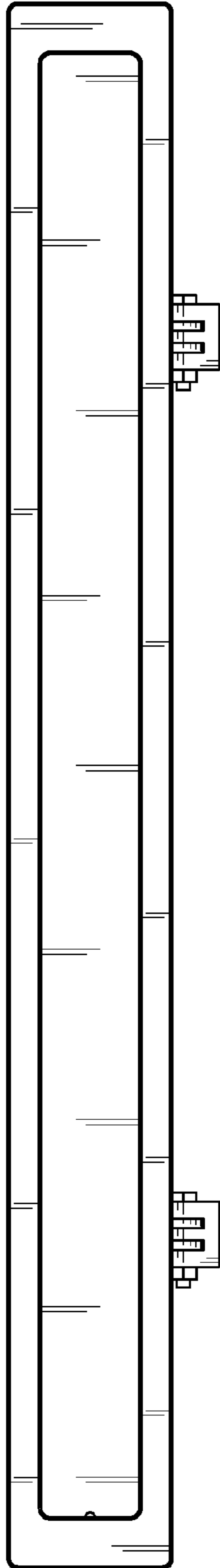


FIG. 3

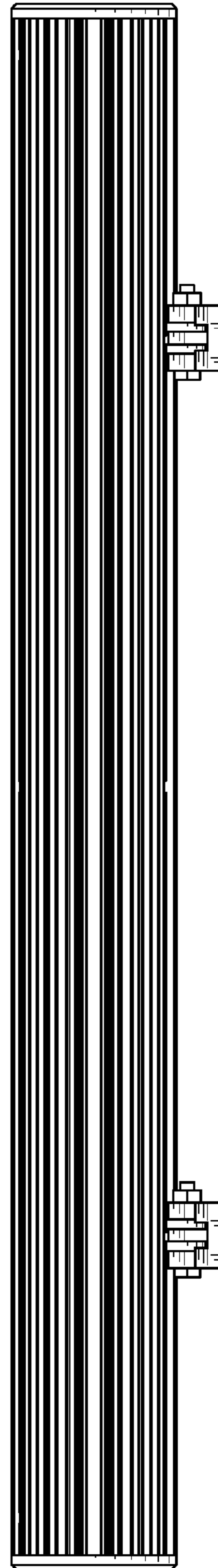


FIG. 4

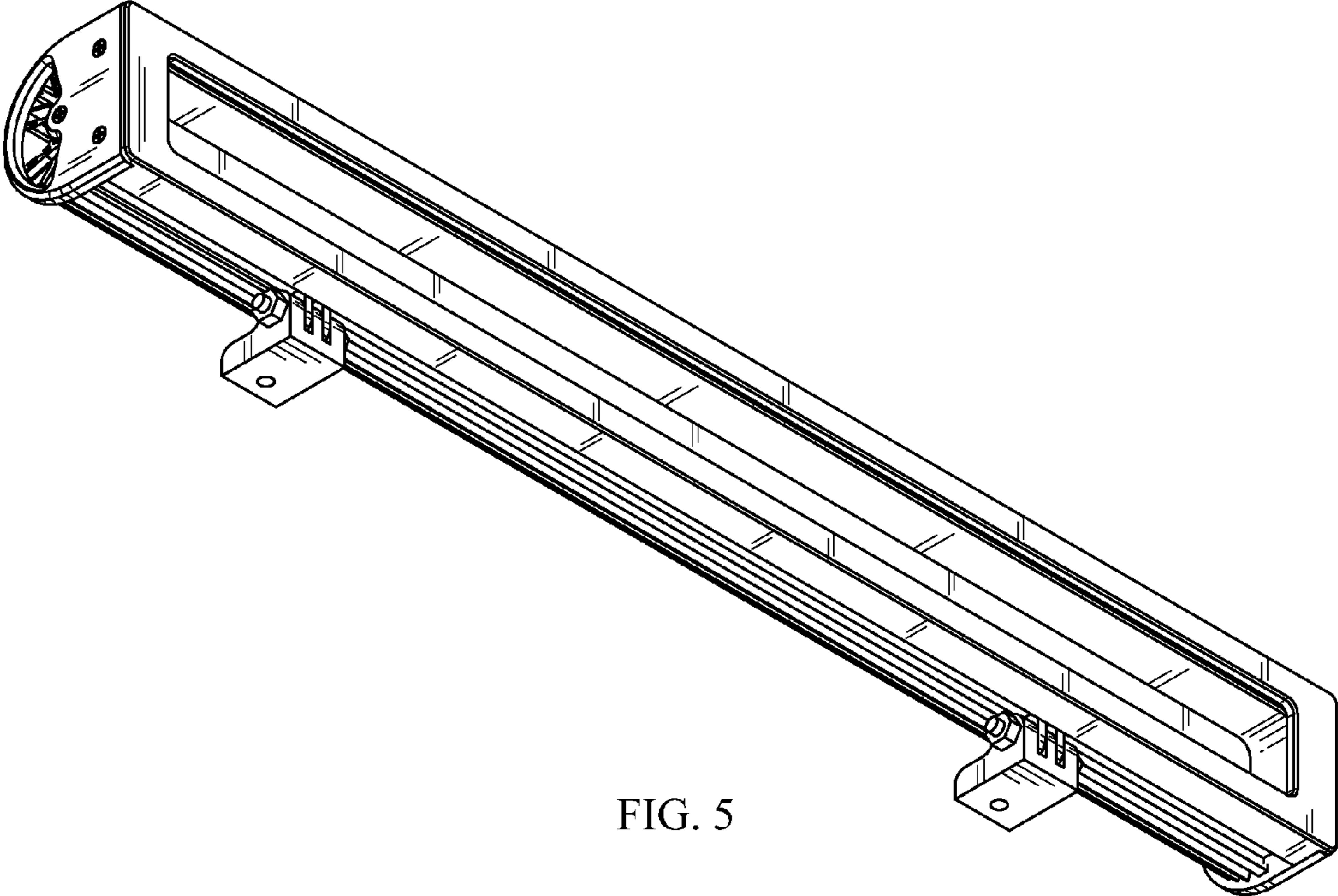


FIG. 5

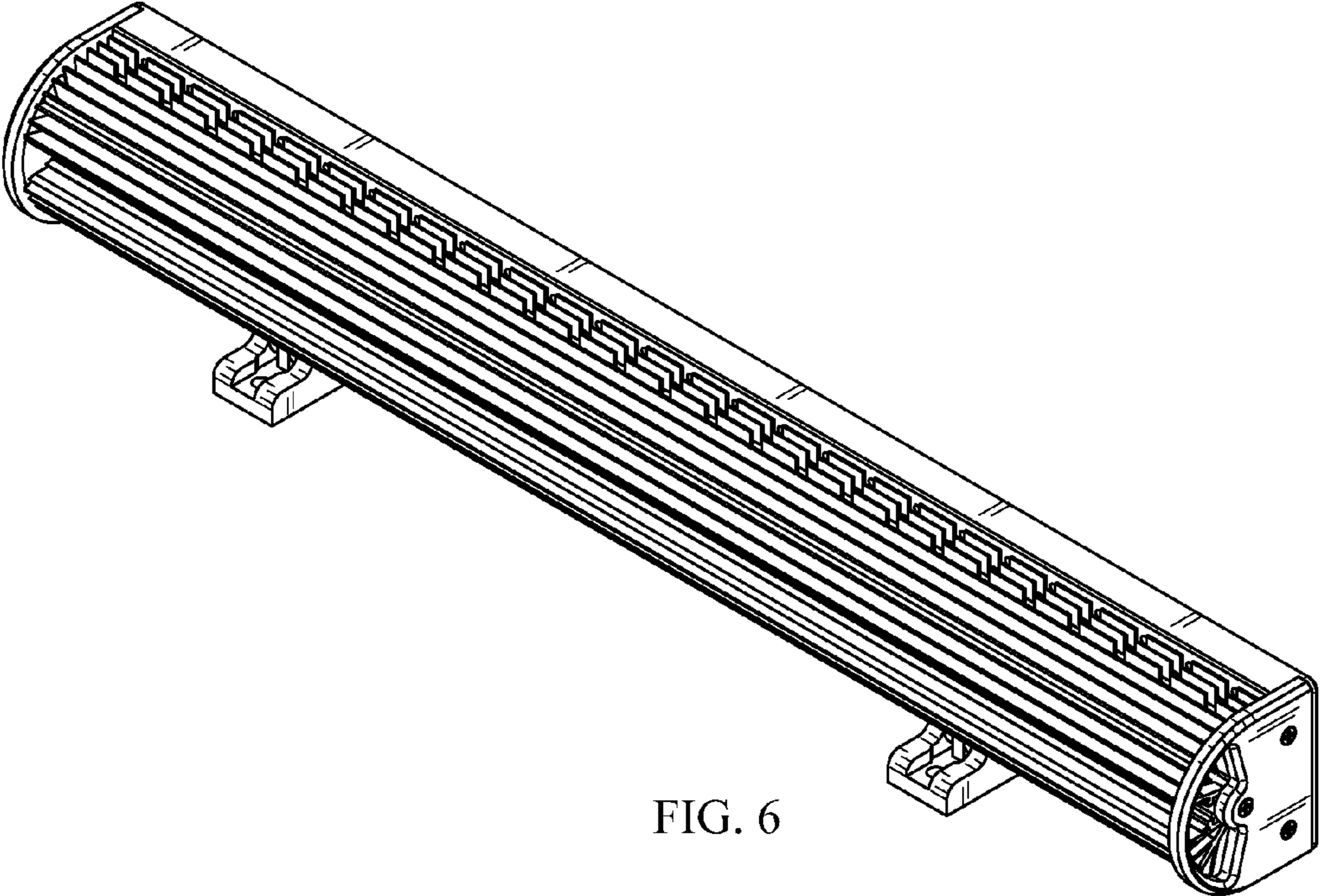


FIG. 6

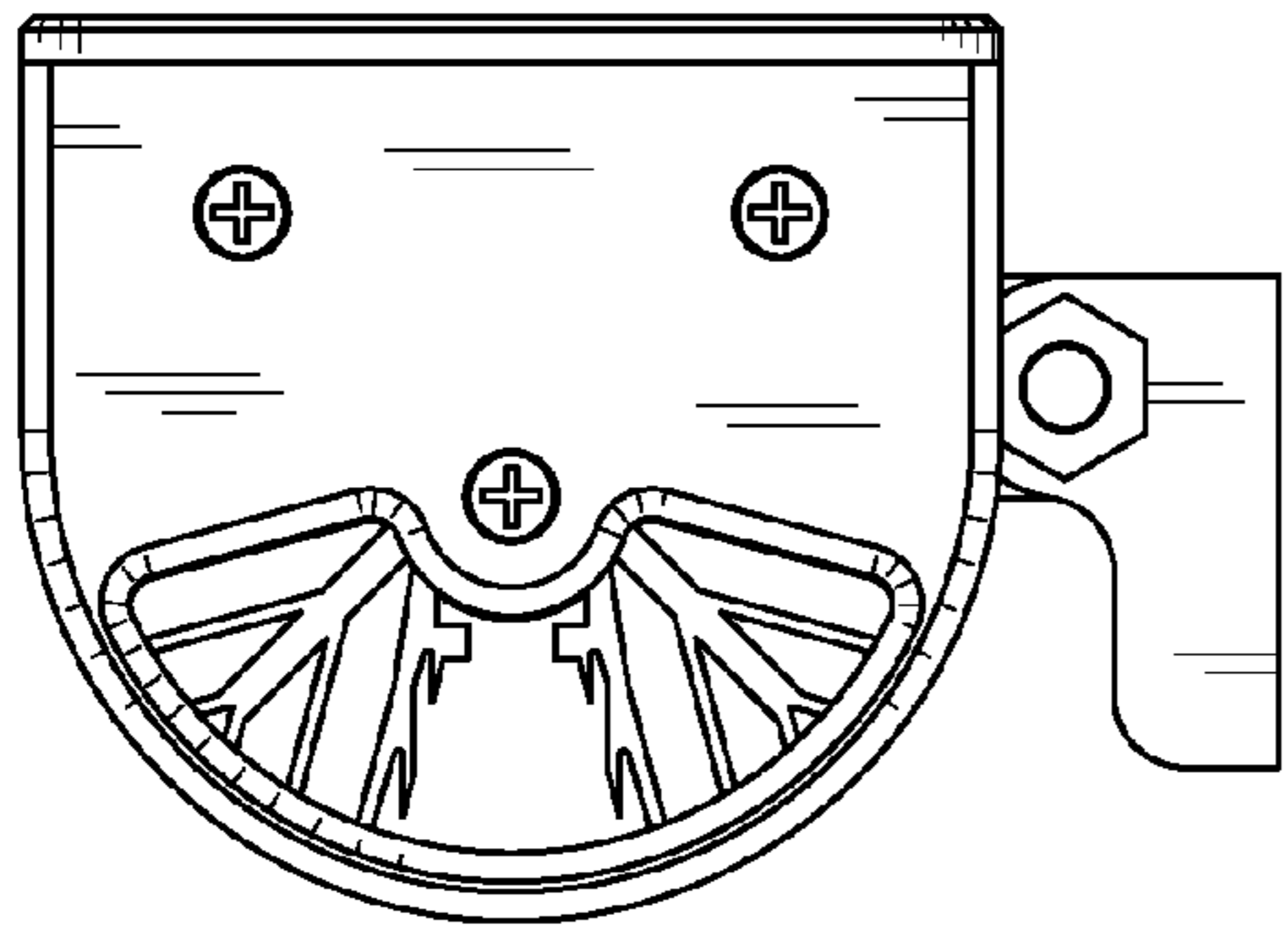


FIG. 7

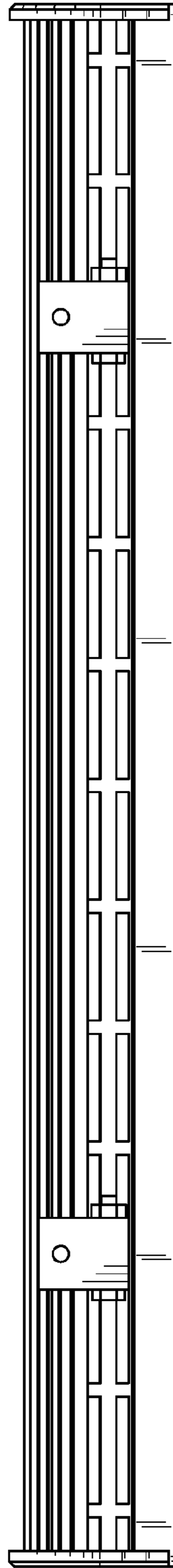


FIG. 8

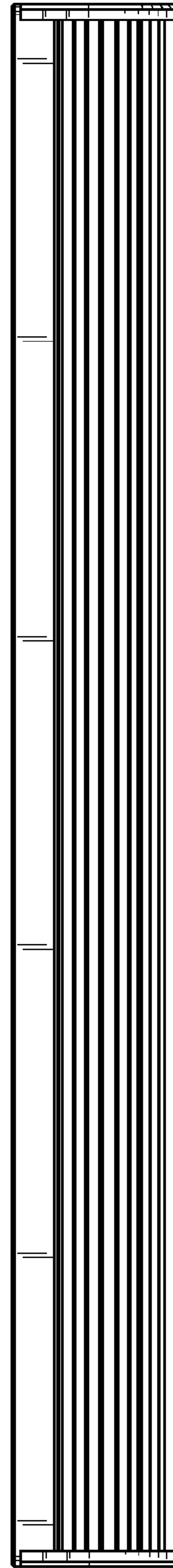


FIG. 9