



US00D653780S

(12) **United States Design Patent**
Metcalf

(10) **Patent No.:** **US D653,780 S**

(45) **Date of Patent:** **** Feb. 7, 2012**

(54) **PANEL WITH RULE SURFACE TEXTURE**

(75) Inventor: **E. Egan Metcalf**, Salt Lake City, UT (US)

(73) Assignee: **3form, Inc.**, Salt Lake City, UT (US)

(**) Term: **14 Years**

(21) Appl. No.: **29/400,729**

(22) Filed: **Aug. 31, 2011**

(51) **LOC (9) Cl.** **25-01**

(52) **U.S. Cl.** **D25/138**

(58) **Field of Classification Search** D25/111,
D25/138-145, 150-153, 156, 157, 163, 199,
D25/102-105, 110, 58; D5/20, 24, 32, 54,
D5/4, 7; 156/63; 52/81.4, 81.5, 81.6, 747.1,
52/783.11, 311.1, 313, 311.2, 316, 239, 241,
52/481.2, 789.1, 788.1; 428/34, 34.1-34.9,
428/35.7, 36.1-36.4, 67, 446, 542.2, 542.6,
428/902, 904.4, 143, 147, 13, 332, 335, 336,
428/339, 480, 483, 195.1, 38; D6/332

See application file for complete search history.

(56) **References Cited**

U.S. PATENT DOCUMENTS

- 3,593,474 A * 7/1971 Neels 52/223.7
- 5,987,831 A * 11/1999 Lamberts-Van Assche 52/316
- D569,012 S * 5/2008 Ellis D25/138
- 7,913,459 B2 * 3/2011 Ball et al. 52/36.1

* cited by examiner

Primary Examiner — Doris Clark

(74) *Attorney, Agent, or Firm* — Workman Nydegger

(57) **CLAIM**

The ornamental design for a panel with rule surface texture, as shown and described.

DESCRIPTION

FIG. 1 is a front perspective view of a panel with rule surface texture, showing usage as a partition structure;

FIG. 2 is an enlarged front perspective view of the central area shown in FIG. 1;

FIG. 3 is a top plan sectional view taken along line 3-3 of FIG. 5;

FIG. 4 is a left side elevation view taken along line 4-4 of FIG. 5;

FIG. 5 is a front elevation view thereof;

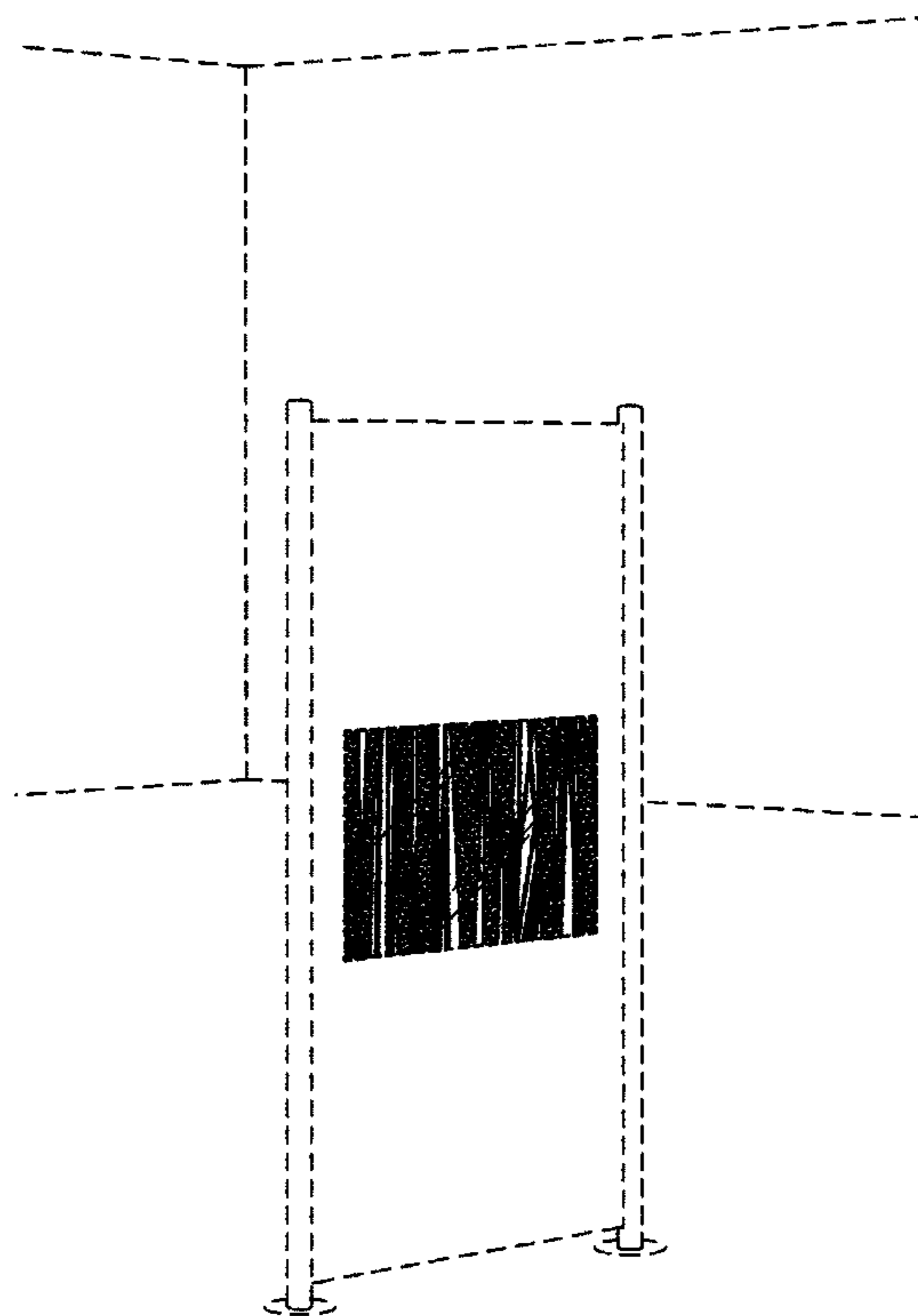
FIG. 6 is a right side sectional view taken along line 6-6 of FIG. 5;

FIG. 7 is a bottom plan sectional view taken along line 7-7 of FIG. 5; and,

FIG. 8 is a rear elevation view.

The broken lines showing environment in the drawings are included for illustrative purposes only and form no part of the claimed design. The outer broken line boundaries in the figures depicting the boundaries of the claimed design indicate that a specific length, width, and thickness form no part of the claimed design and are for illustrative purposes only.

1 Claim, 4 Drawing Sheets



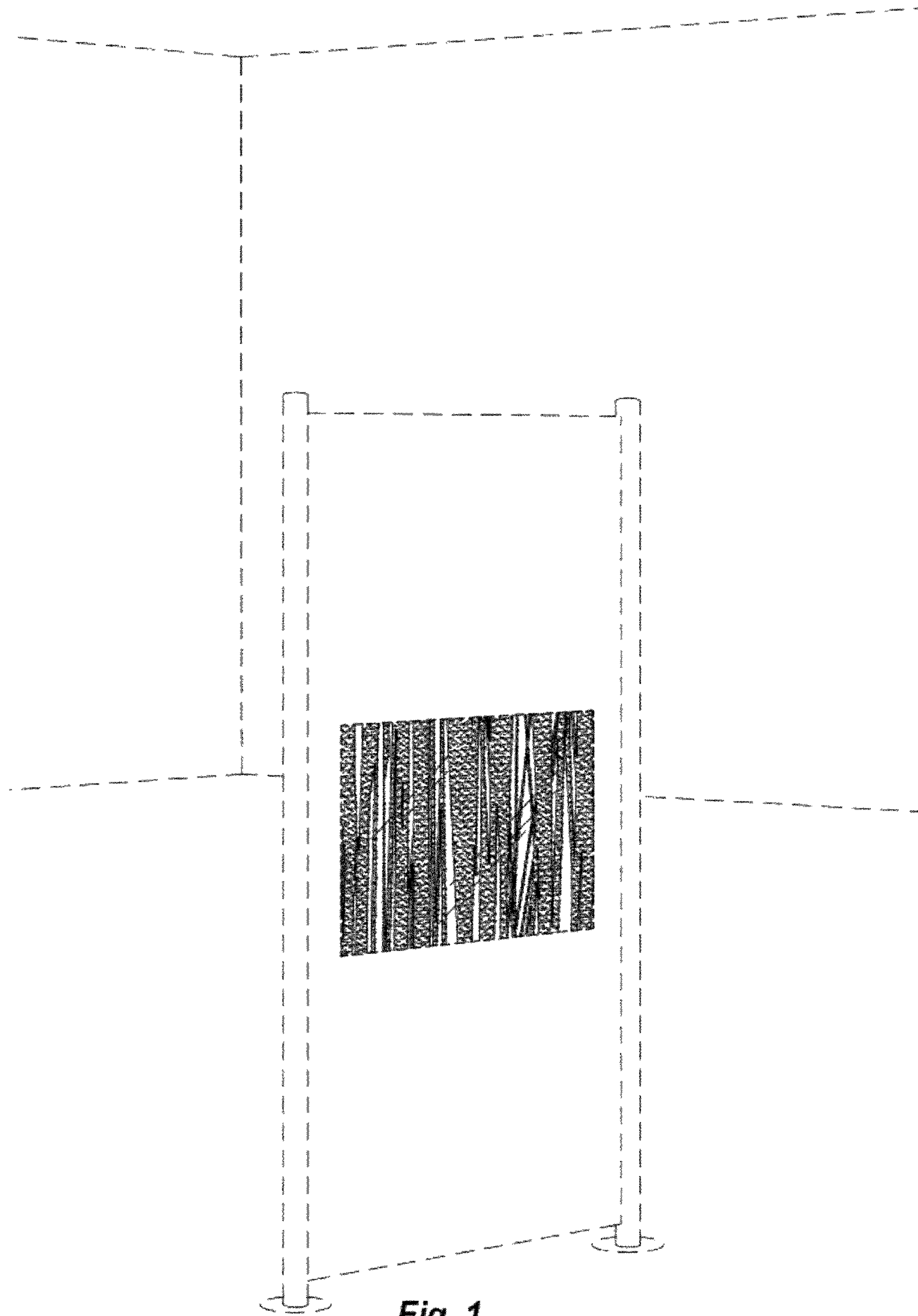


Fig. 1

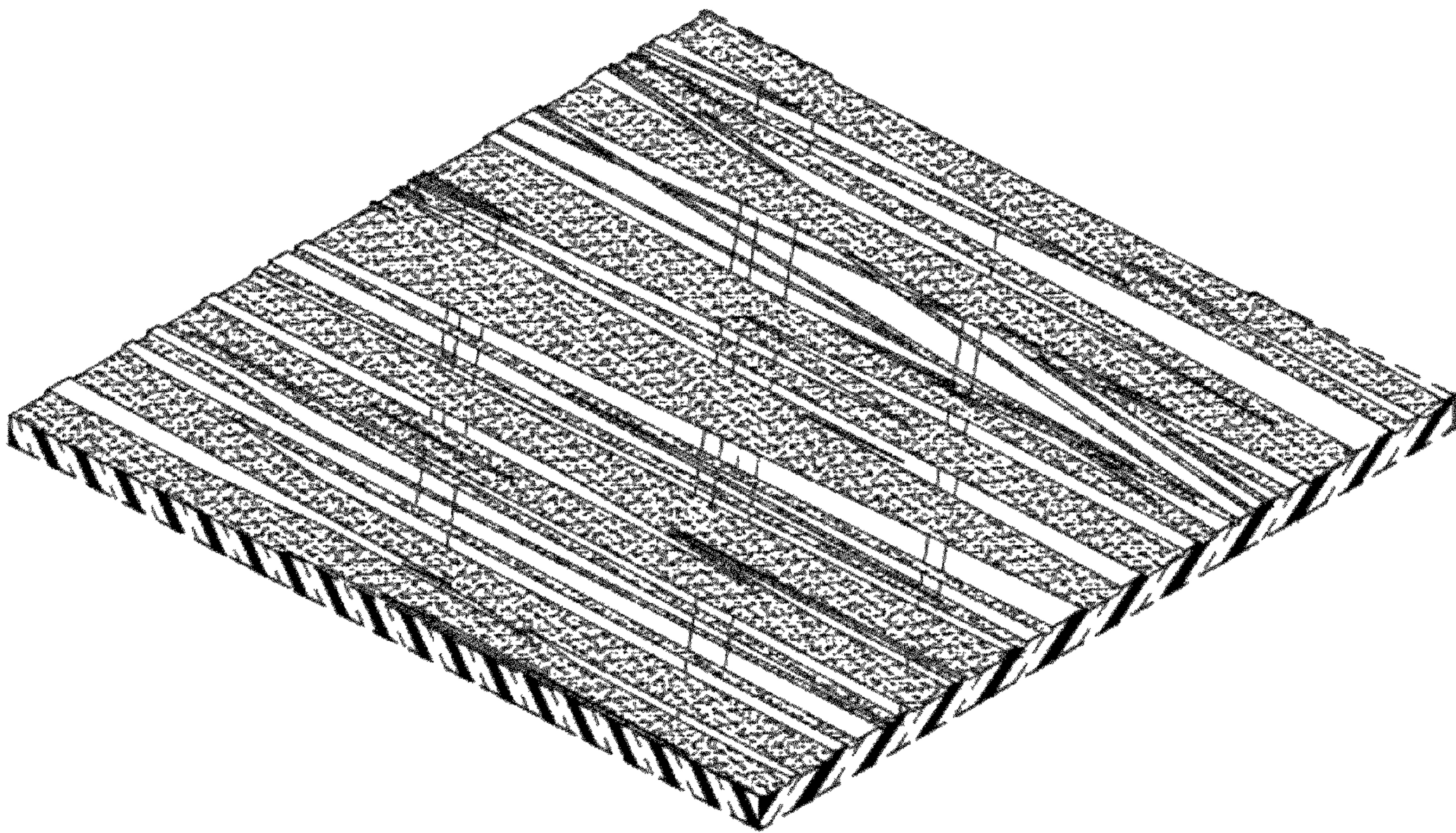


Fig. 2



Fig. 3

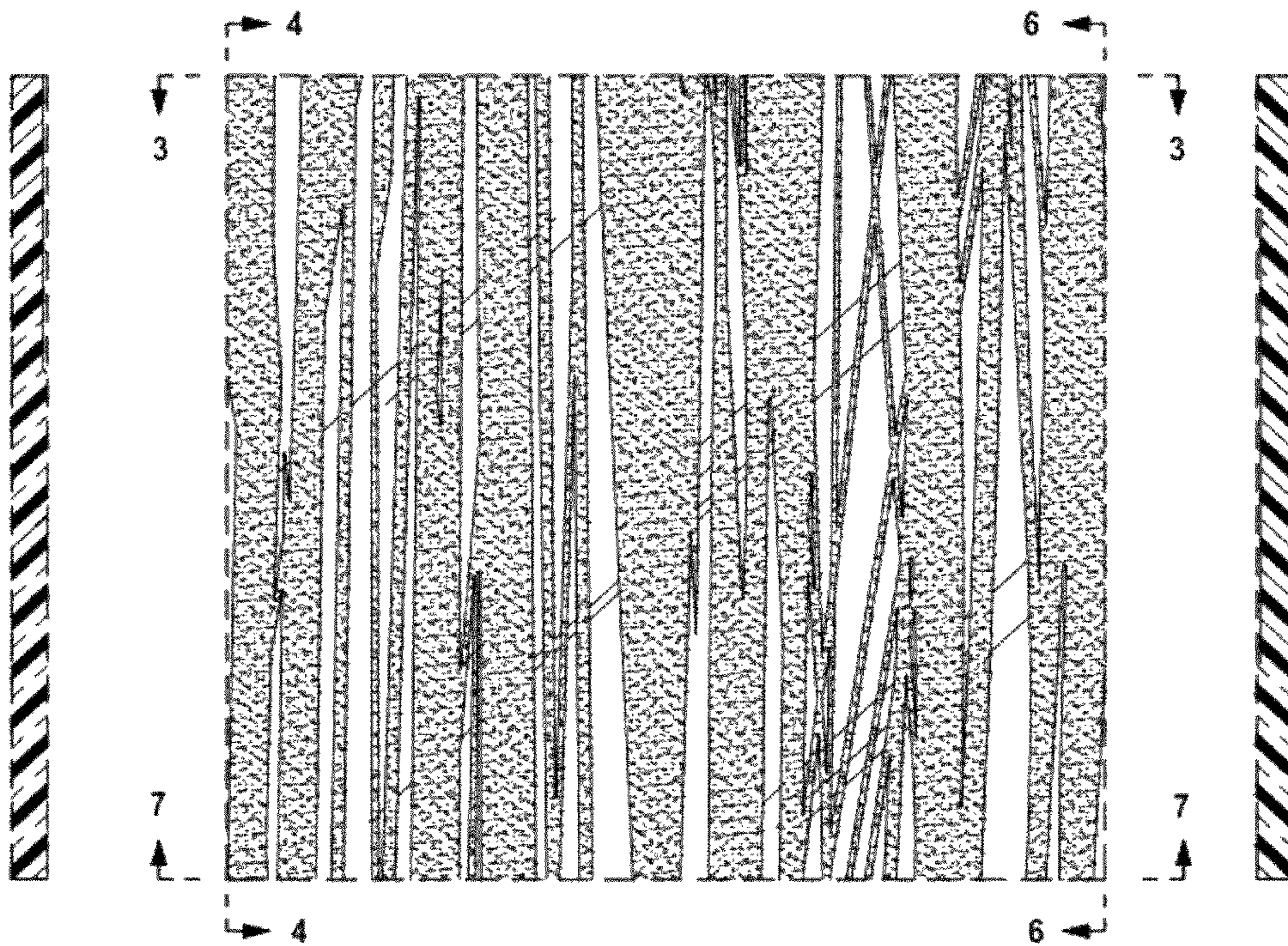


Fig. 4

Fig. 5

Fig. 6



Fig. 7

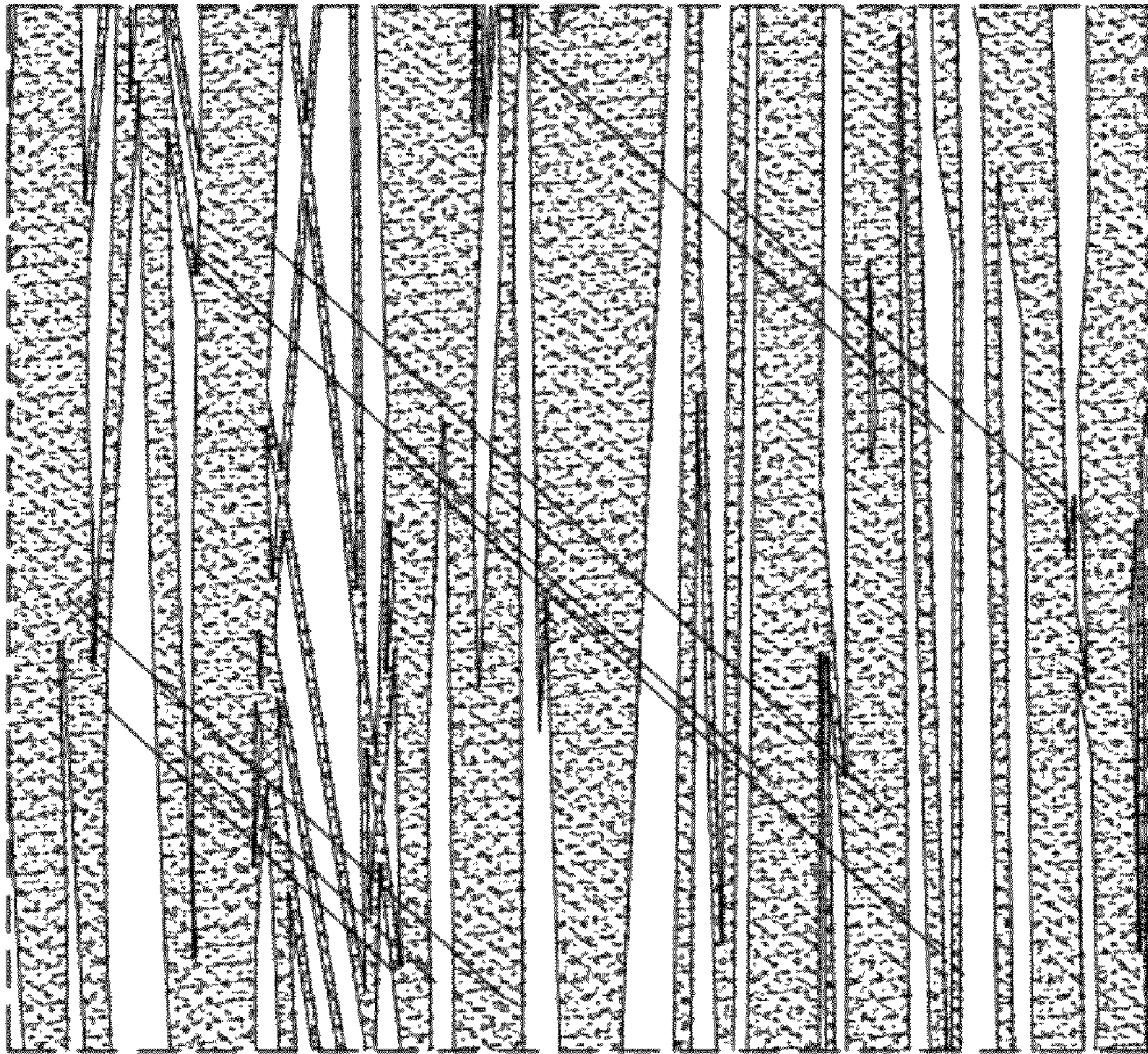


Fig. 8