



US00D653775S

(12) **United States Design Patent**  
**Ohanyan**

(10) **Patent No.:** **US D653,775 S**

(45) **Date of Patent:** **\*\* Feb. 7, 2012**

(54) **CORNER BEAD**

(76) Inventor: **Ashot Ohanyan**, Glendale, CA (US)

(\*\*) Term: **14 Years**

(21) Appl. No.: **29/363,174**

(22) Filed: **Jun. 5, 2010**

(51) **LOC (9) Cl.** ..... **25-01**

(52) **U.S. Cl.** ..... **D25/136**

(58) **Field of Classification Search** ..... D25/126,  
D25/136; 428/40.1; 52/287.1, 255, 275,  
52/716.1, 272, 273

See application file for complete search history.

(56) **References Cited**

**U.S. PATENT DOCUMENTS**

1,308,773	A	7/1919	Clark	
1,430,508	A	9/1922	Johnson	
6,073,406	A	6/2000	Kearney	
6,516,576	B1 *	2/2003	Balmer	52/287.1
7,013,610	B2 *	3/2006	Kunz	52/255
D521,657	S *	5/2006	Zarb	D25/136
D599,916	S *	9/2009	Polston	D25/136

\* cited by examiner

*Primary Examiner* — Doris Clark

(74) *Attorney, Agent, or Firm* — Patent Law Agency, LLC;  
Peter Ganjian

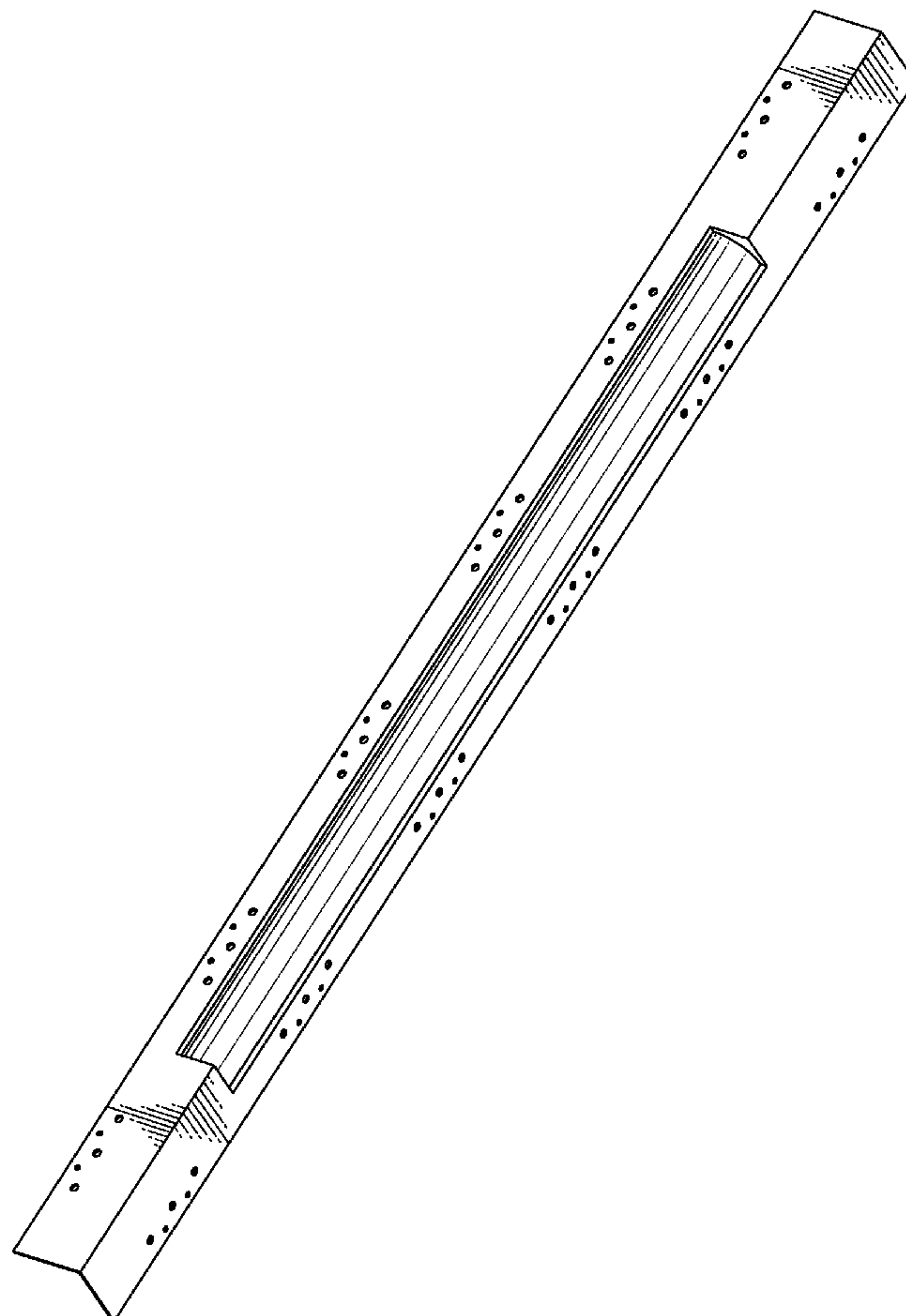
(57) **CLAIM**

The ornamental design for a corner bead, as shown and described.

**DESCRIPTION**

FIG. 1 shows a perspective view of a corner bead, showing my new design;  
 FIG. 2 is a front view of FIG. 1;  
 FIG. 3 is a sectional view taken along the plane indicated on FIG. 2;  
 FIG. 4 is a back view of the corner bead shown in FIG. 1;  
 FIG. 5 is a left lateral view of FIG. 1;  
 FIG. 6 is a right lateral view of FIG. 1;  
 FIG. 7 is a bottom view of FIG. 1;  
 FIG. 8 is a top view of FIG. 1;  
 FIG. 9 is a perspective view of a structure with an access-way and window, showing an installed corner bead of FIG. 1; and,  
 FIG. 10 is a plan view of FIG. 9.  
 The portions of the design shown in broken lines in FIG. 9 and FIG. 10 are for the purpose of illustrating the environment only and form no part of the claimed design.

**1 Claim, 10 Drawing Sheets**



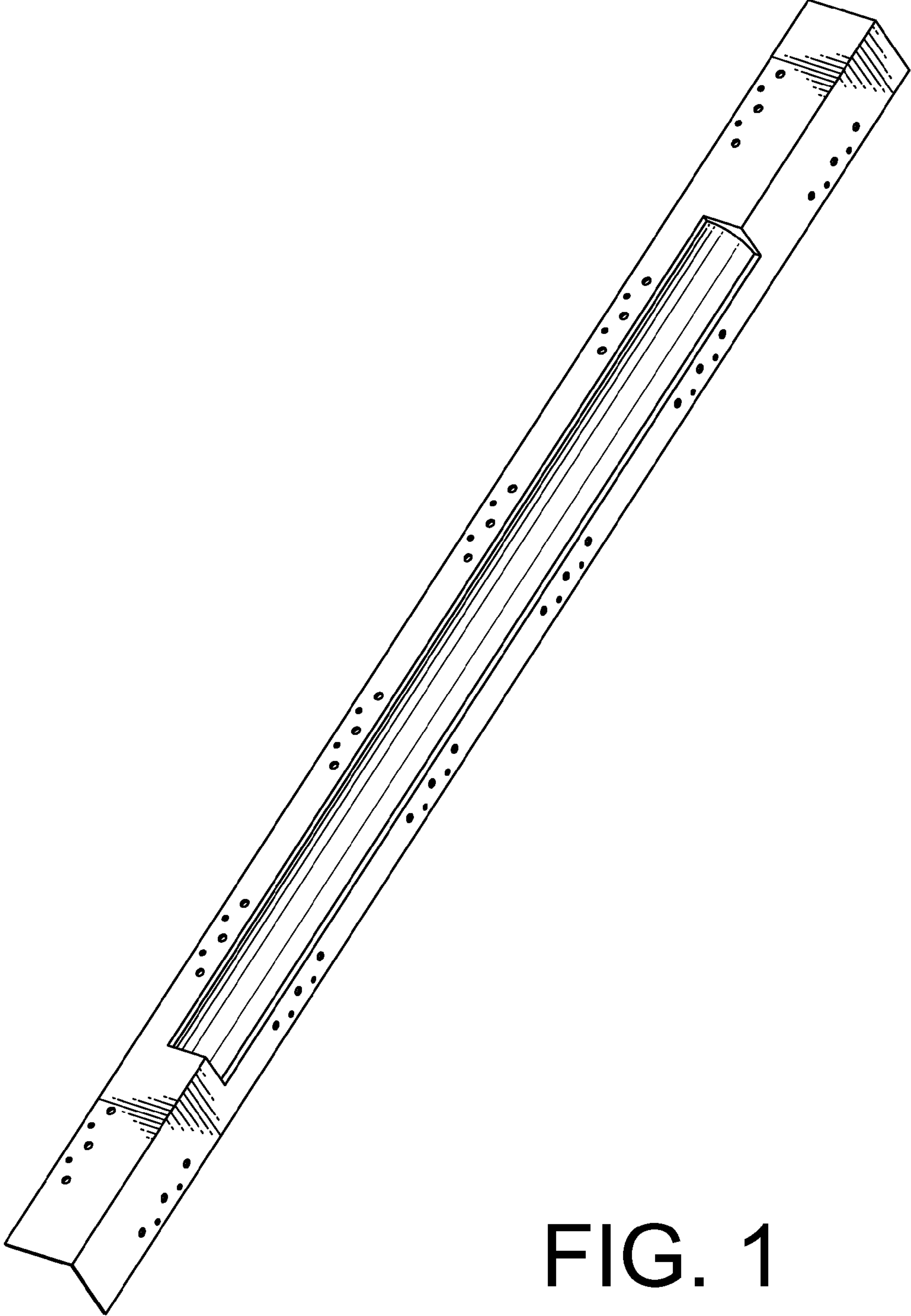


FIG. 1

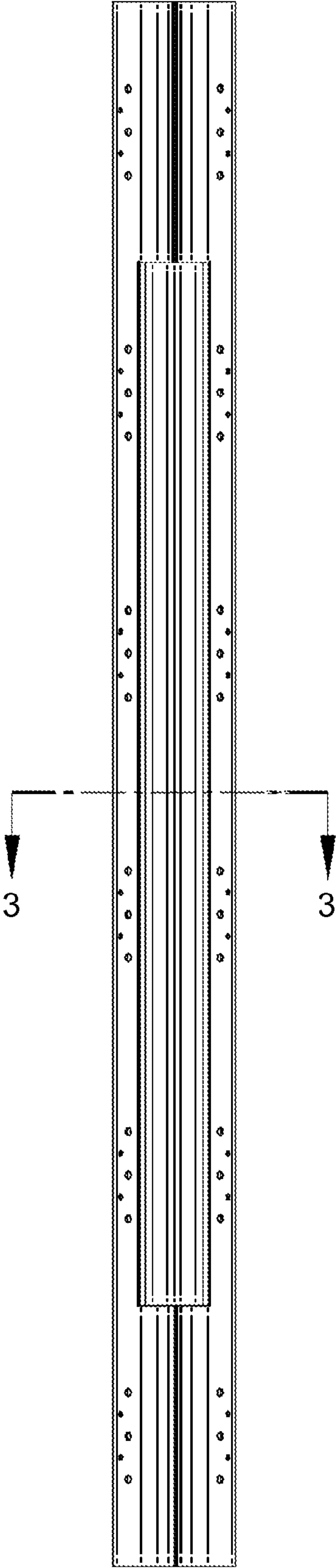


FIG. 2



FIG. 3

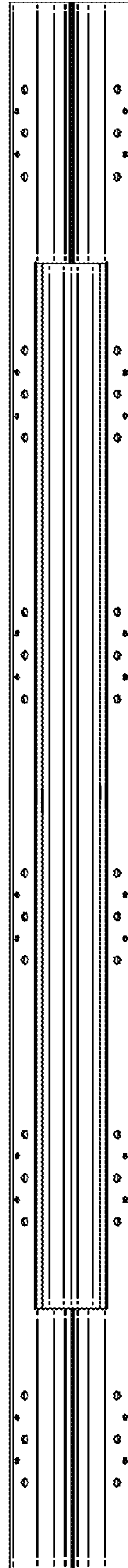


FIG. 4

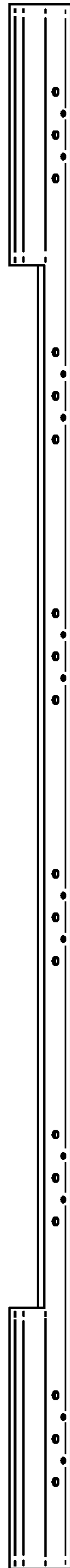


FIG. 5

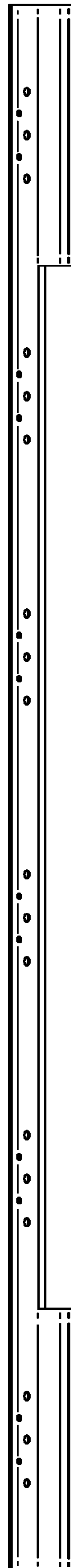


FIG. 6



**FIG. 7**





**FIG. 8**

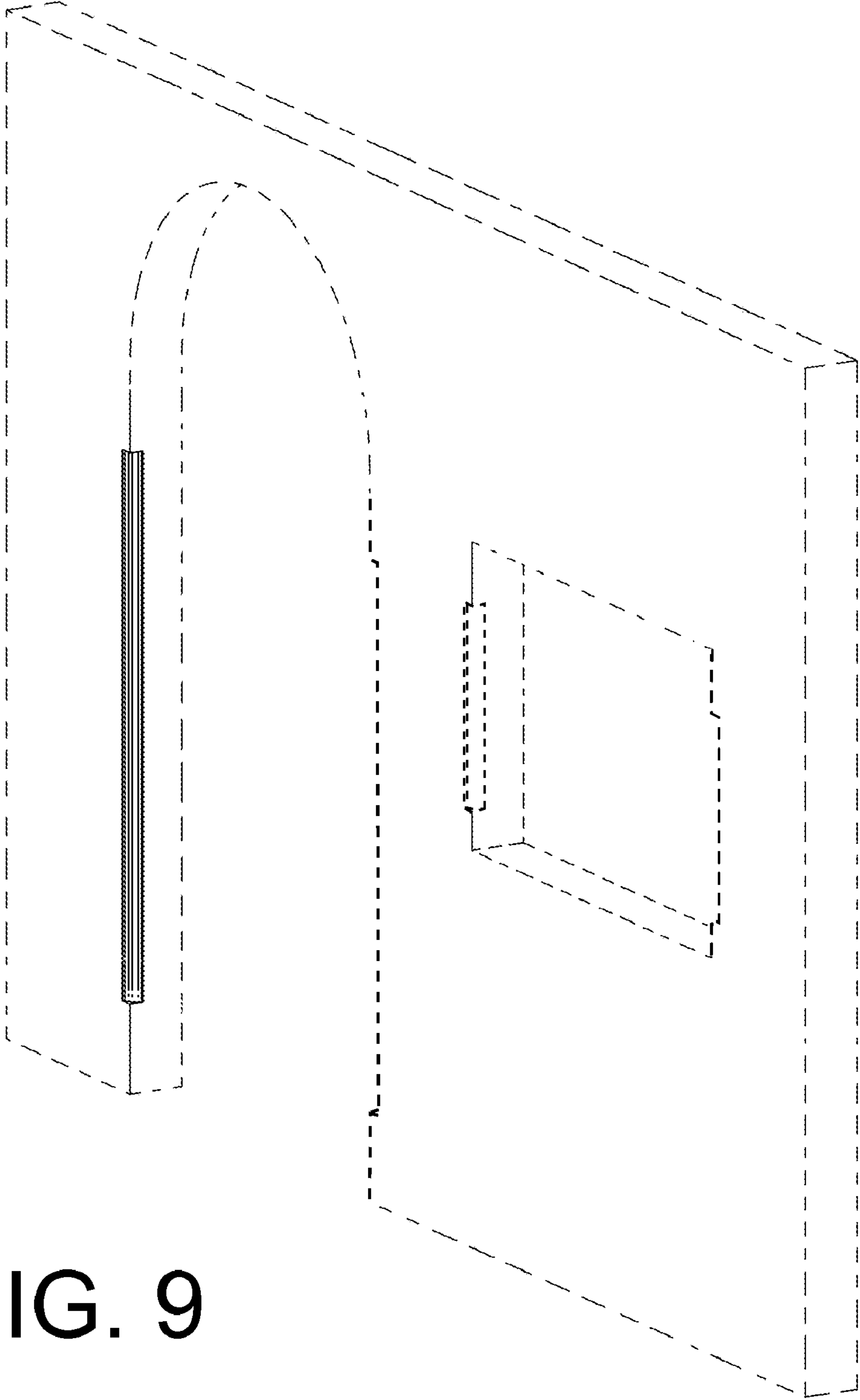


FIG. 9

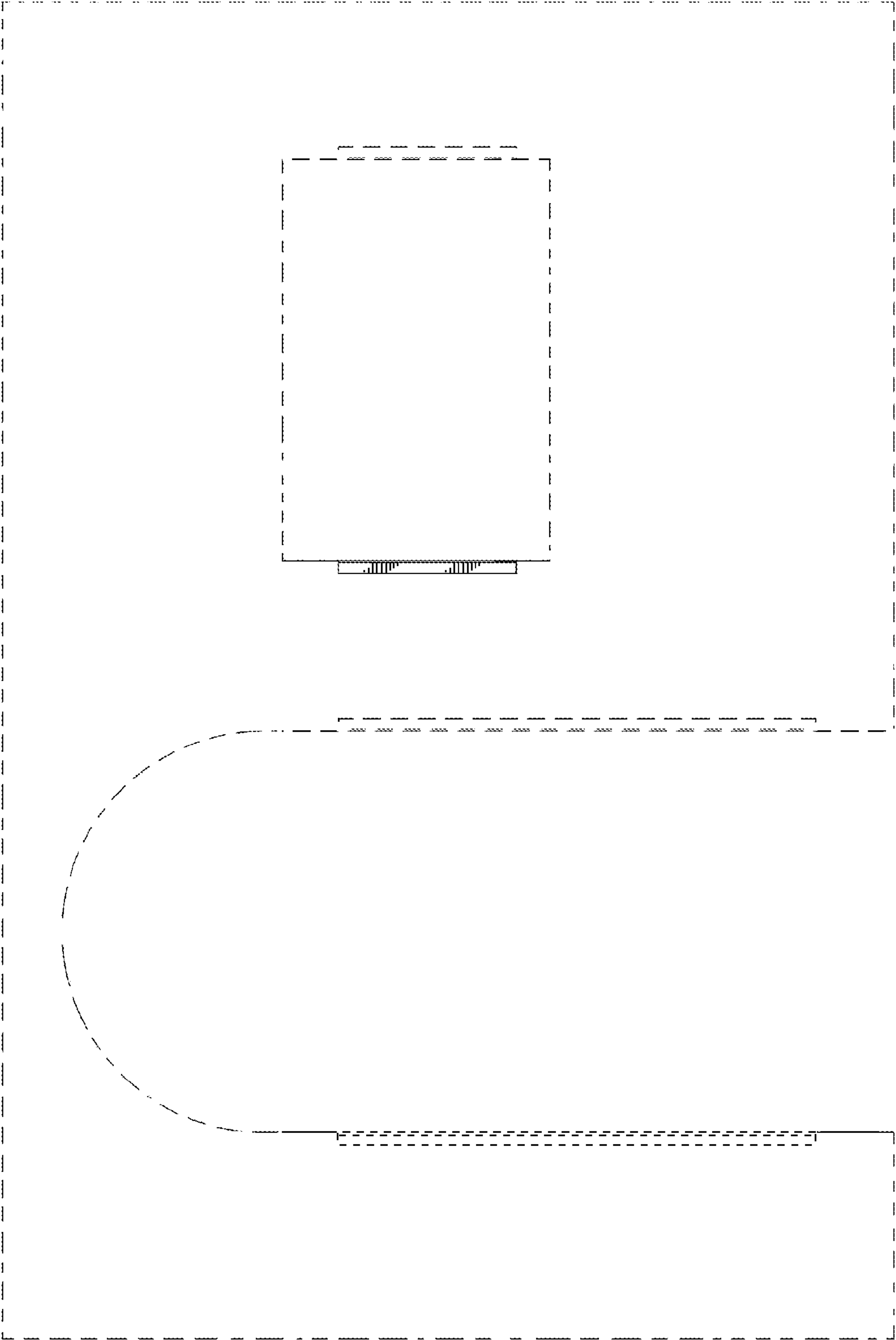


FIG. 10