



US00D653774S

(12) **United States Design Patent**
Kubota

(10) **Patent No.:** **US D653,774 S**

(45) **Date of Patent:** **** Feb. 7, 2012**

(54) **SUPPORTING POST FOR PANEL**

Primary Examiner — Doris Clark

(75) Inventor: **Harunobu Kubota**, Tokyo (JP)

(74) *Attorney, Agent, or Firm* — Osha • Liang LLP

(73) Assignee: **Sugatsune Kogyo Co., Ltd.**,
Chiyoda-ku, Tokyo (JP)

(57) **CLAIM**

The ornamental design for a supporting post for panel, as shown and described.

(**) Term: **14 Years**

DESCRIPTION

(21) Appl. No.: **29/372,368**

(22) Filed: **Nov. 12, 2010**

(30) **Foreign Application Priority Data**

May 14, 2010 (JP) D2010-011948

(51) **LOC (9) Cl.** **25-01**

(52) **U.S. Cl.** **D25/126**

(58) **Field of Classification Search** D25/126;
52/93.1, 111, 118, 126.1, 123.1, 122.1, 127.2,
52/46, 241, 296, 481.1

See application file for complete search history.

(56) **References Cited**

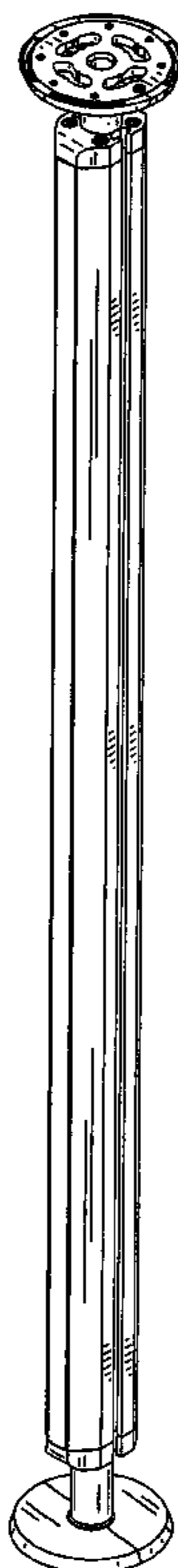
U.S. PATENT DOCUMENTS

4,019,291	A *	4/1977	Ernst	52/36.6
5,930,968	A *	8/1999	Pullam	52/481.1
6,119,430	A *	9/2000	Nicholls	52/846
D504,183	S *	4/2005	McCracken	D25/126
2001/0004820	A1 *	6/2001	Poliquin	52/481.1
2004/0003564	A1 *	1/2004	Surowiecki	52/481.1

* cited by examiner

FIG. 1 is a perspective view of the top, front and right of a supporting post for panel showing my new design;
 FIG. 2 is a front view thereof;
 FIG. 3 is a rear view thereof;
 FIG. 4 is a top plan view thereof;
 FIG. 5 is an enlarged top plan view thereof;
 FIG. 6 is a bottom view thereof;
 FIG. 7 is a right side view thereof;
 FIG. 8 is a left side view thereof;
 FIG. 9 is an enlarged cross sectional view at a line 9-9 shown in FIG. 2;
 FIG. 10 is an enlarged cross sectional view at a line 10-10 shown in FIG. 2;
 FIG. 11 is an enlarged cross sectional view at a line 11-11 shown in FIG. 4;
 FIG. 12 is a partially enlarged view of a portion 12 shown in FIG. 11;
 FIG. 13 is a reference view of usage thereof; and,
 FIG. 14 is a reference view of usage thereof.
 The portions of the article in broken lines are shown for illustrative purposes only and form no part of the claimed design.

1 Claim, 9 Drawing Sheets



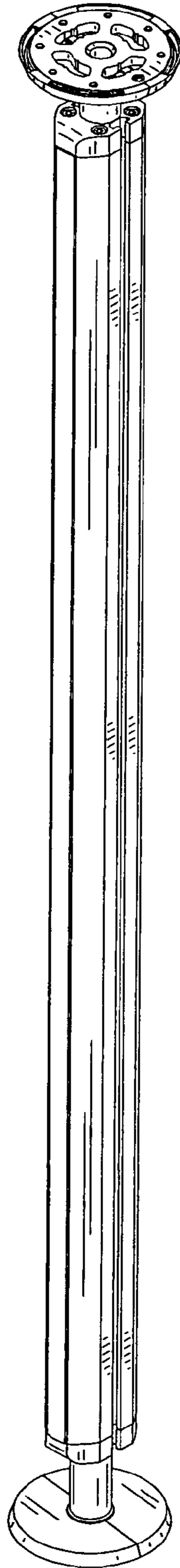
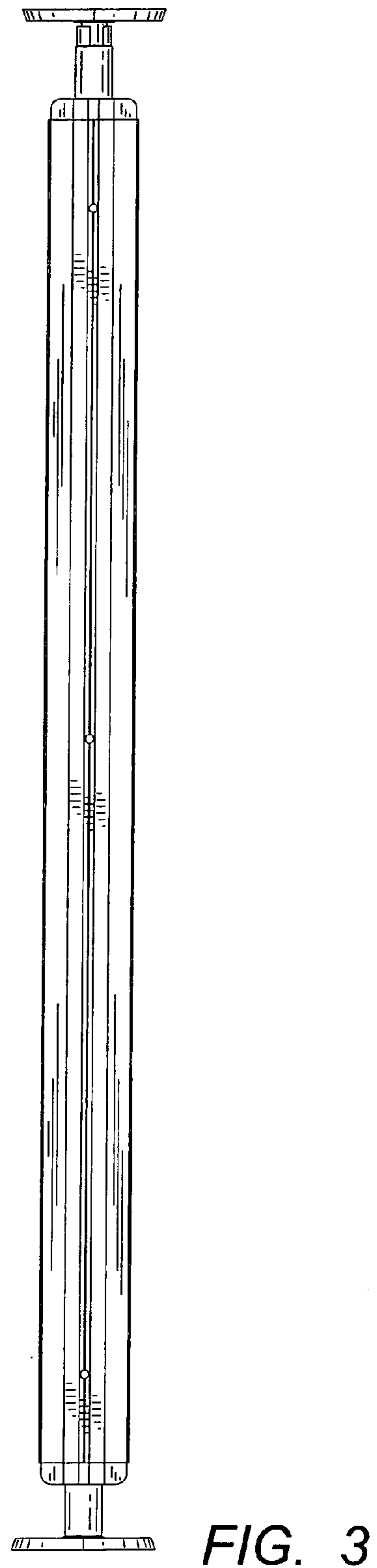
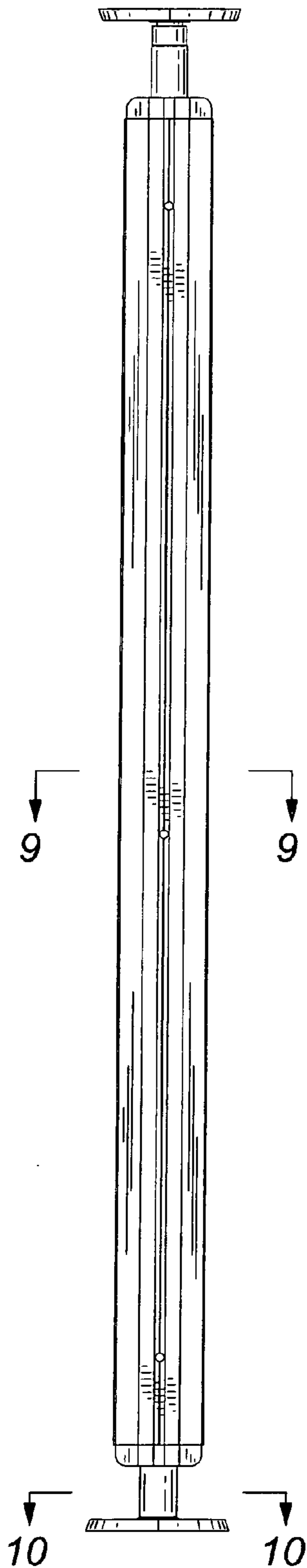


FIG. 1



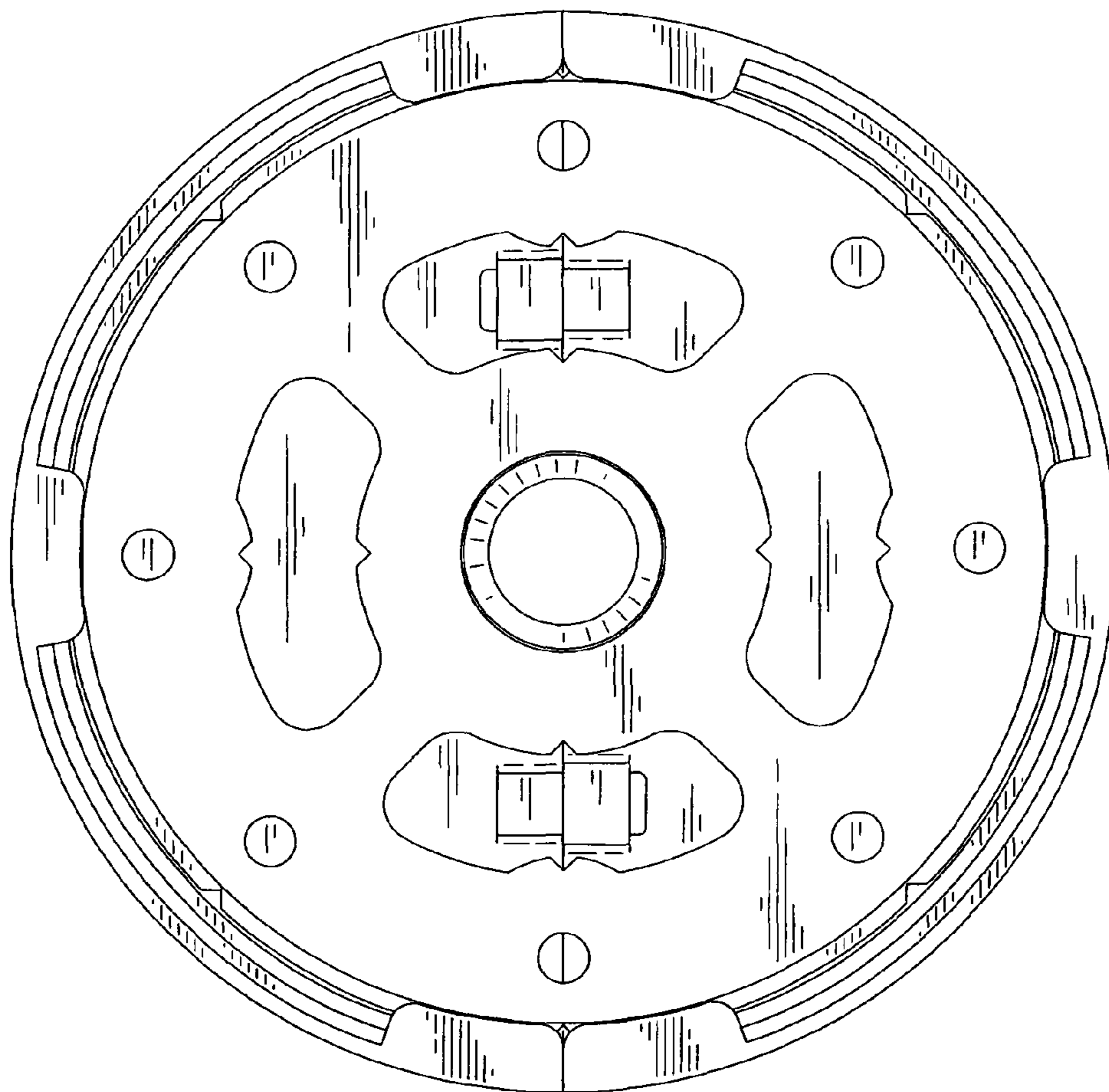
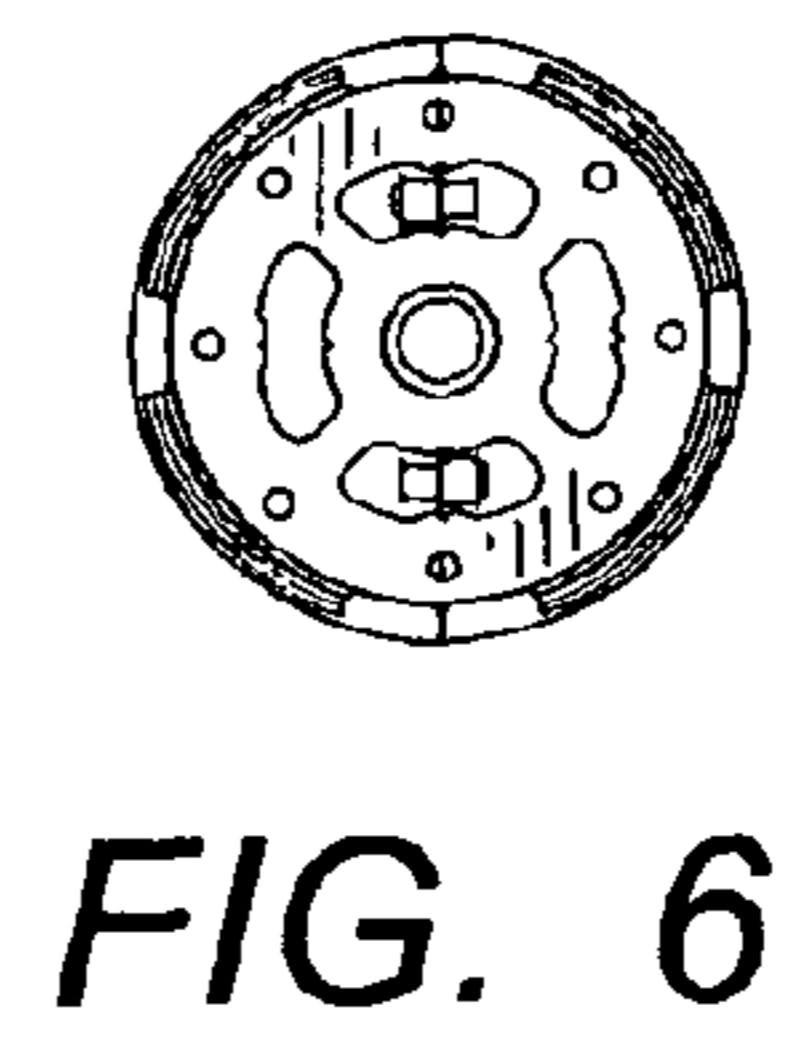
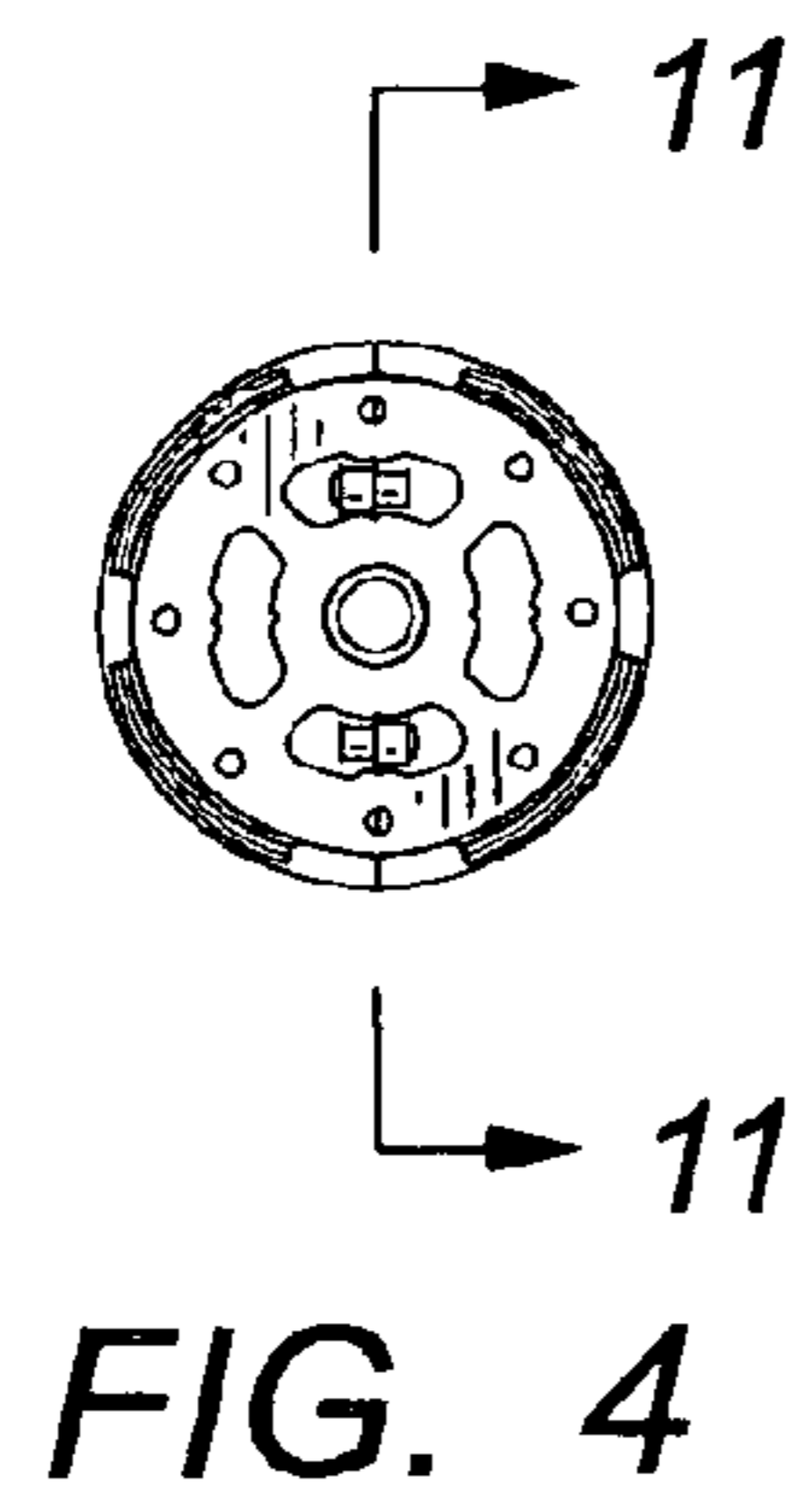


FIG. 5

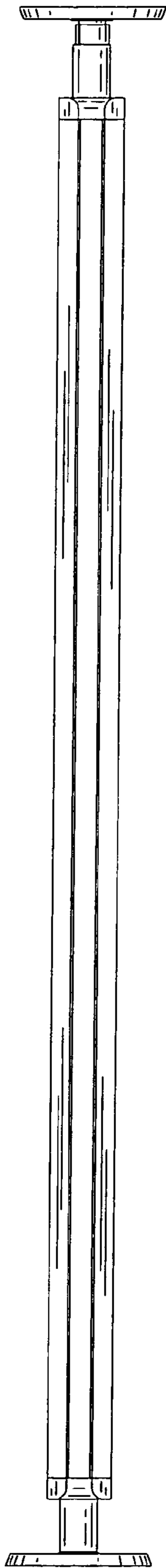


FIG. 7

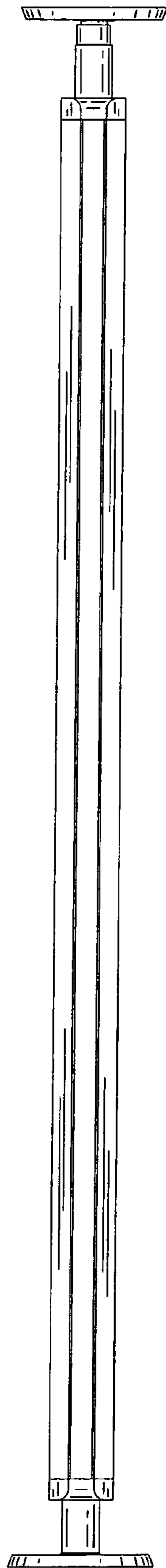


FIG. 8

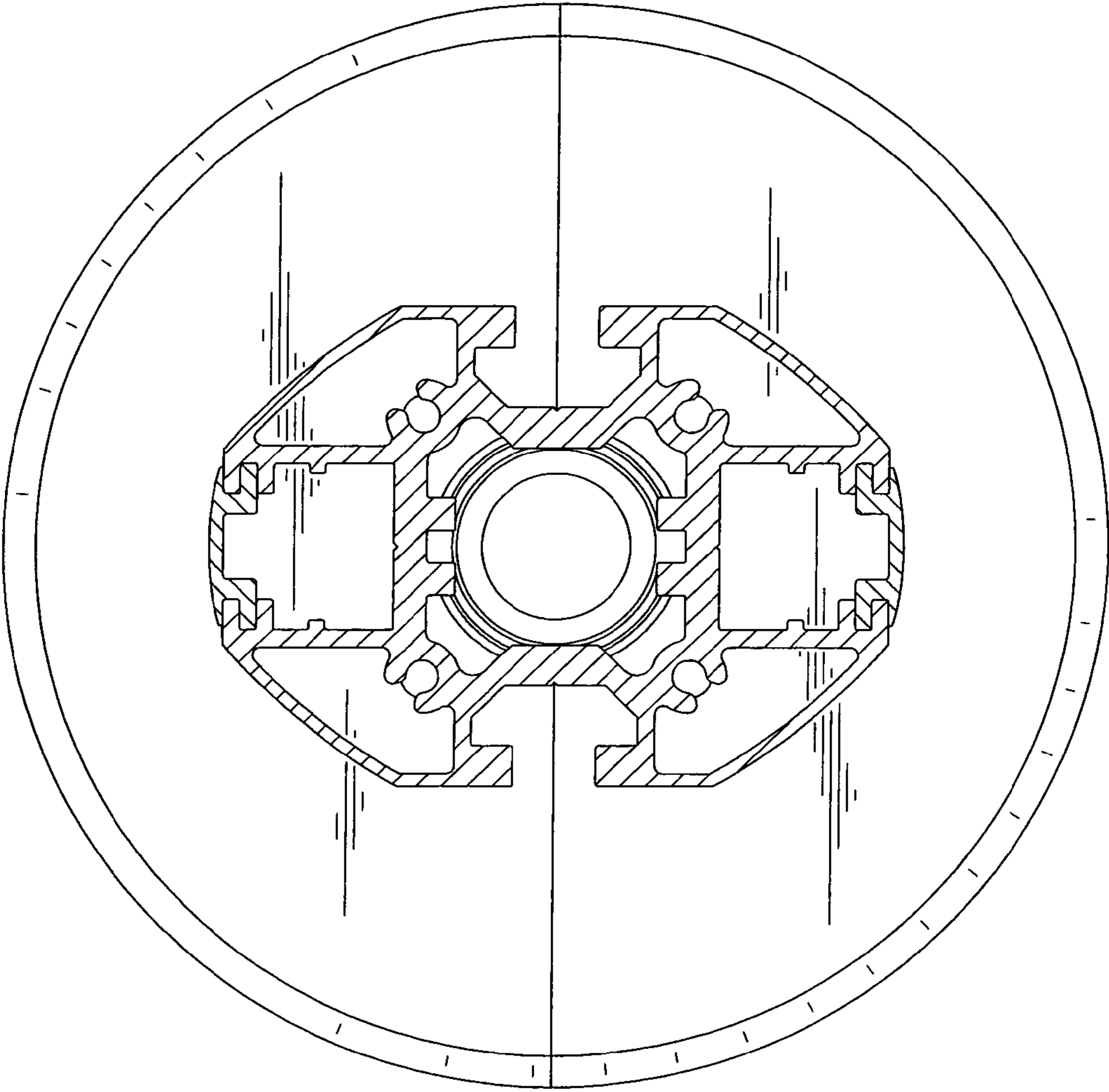


FIG. 9

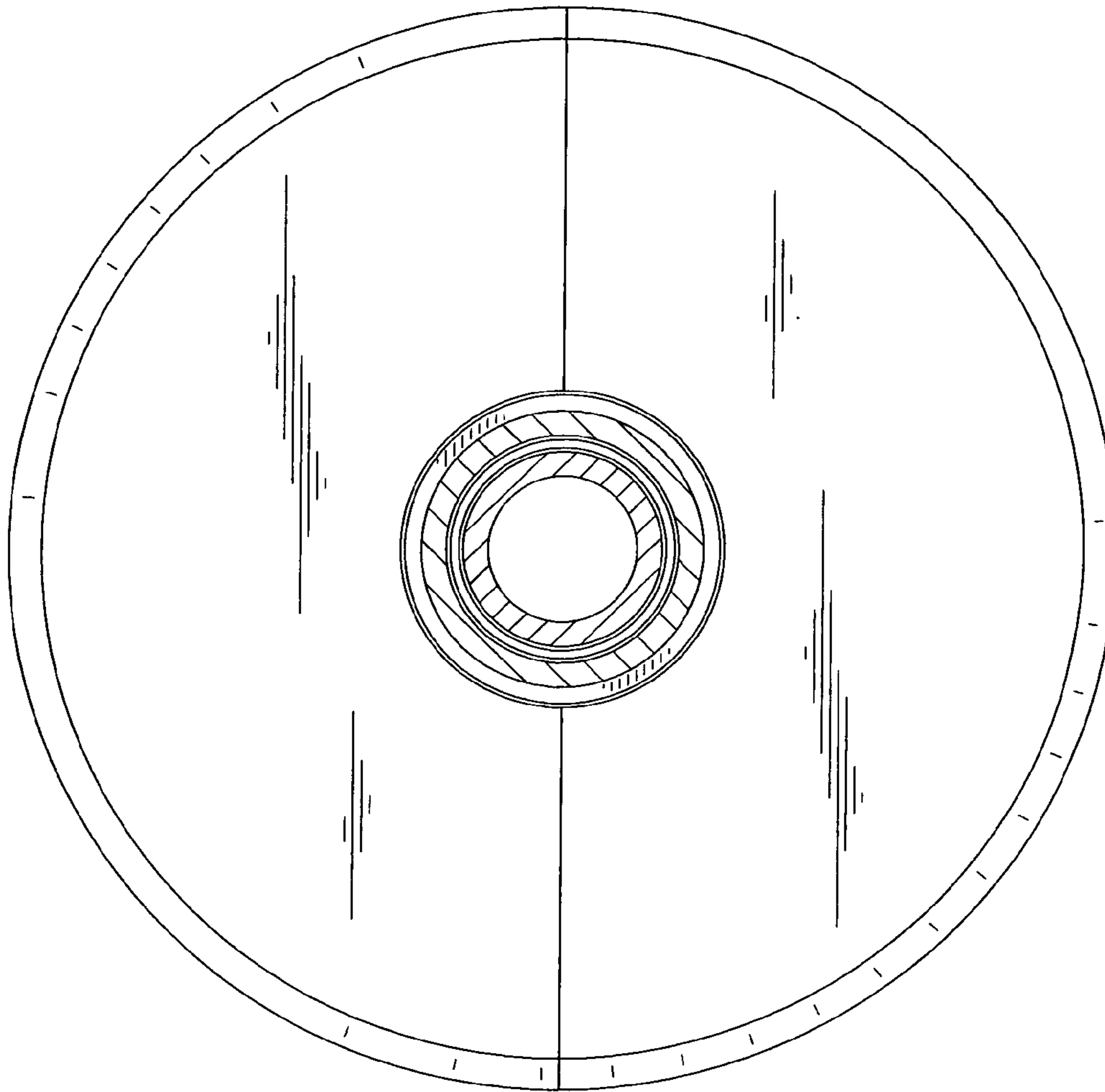


FIG. 10

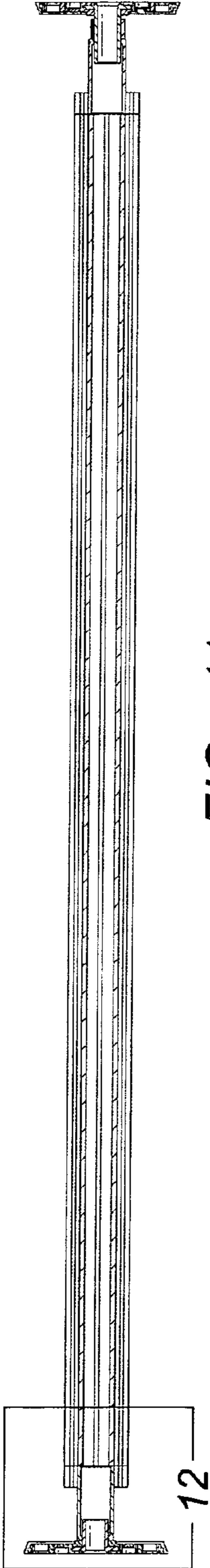


FIG. 11

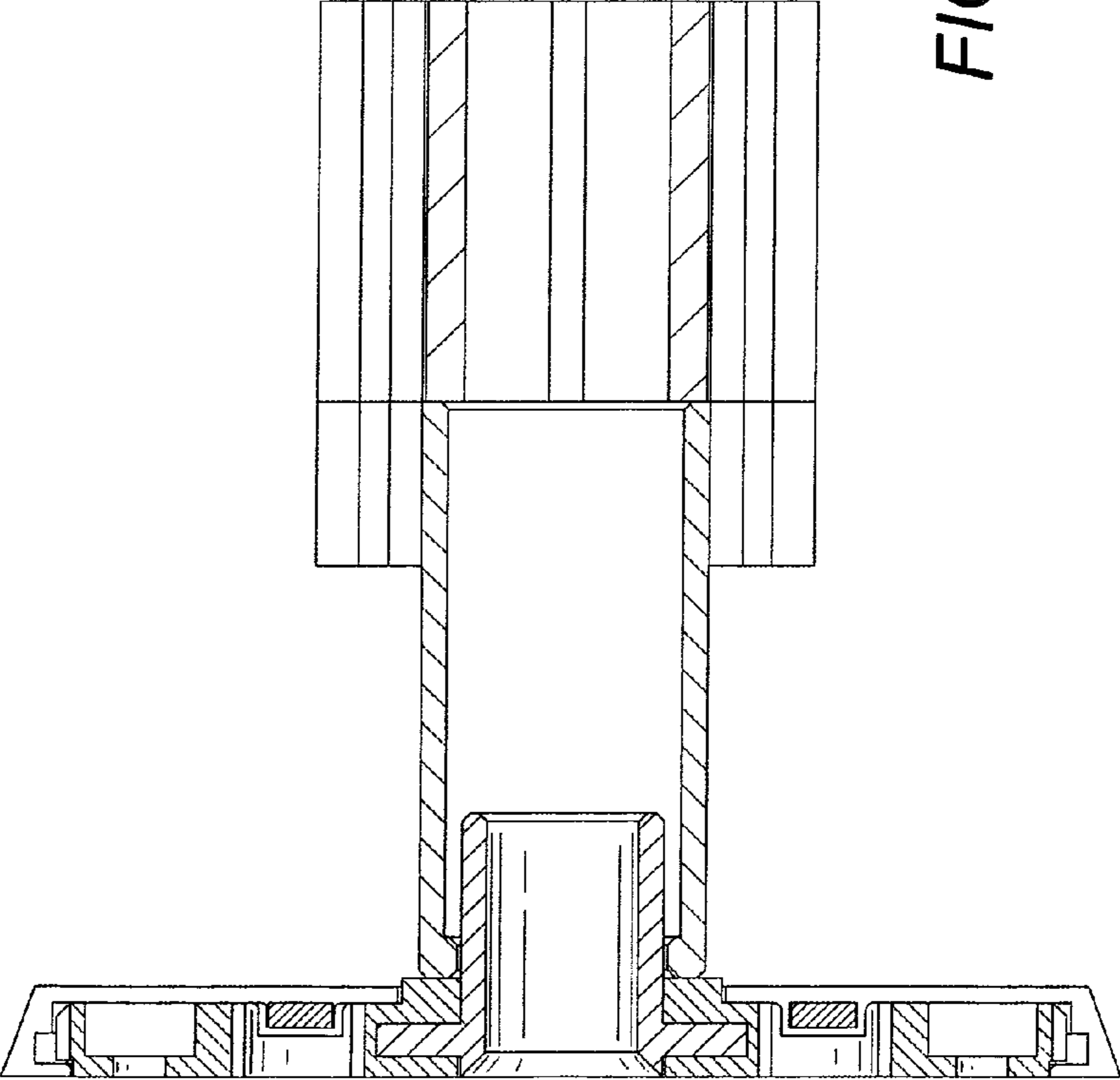


FIG. 12

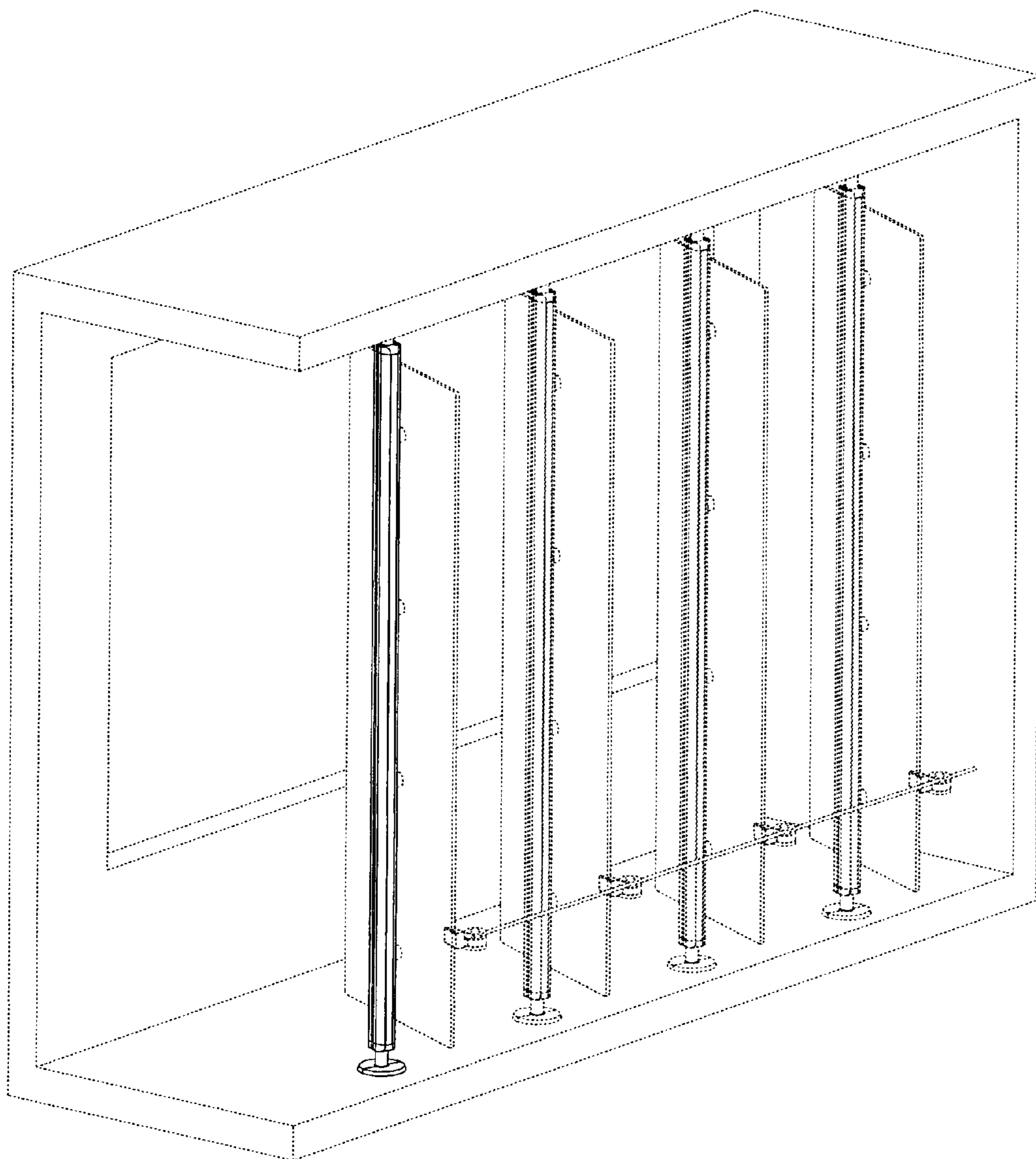


FIG. 13

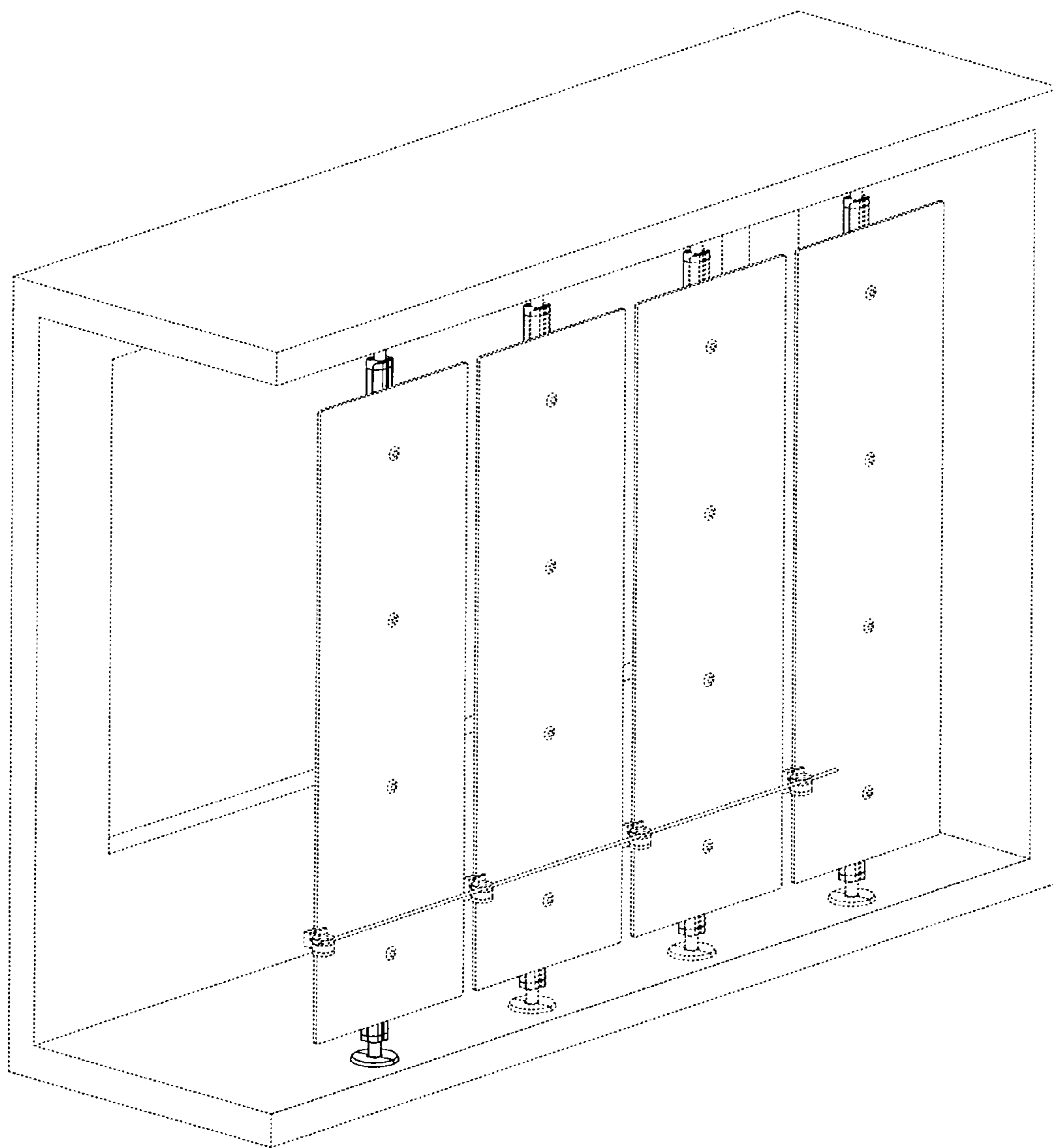


FIG. 14