



US00D653765S

(12) **United States Design Patent**  
**Oonuma et al.**

(10) **Patent No.:** **US D653,765 S**  
(45) **Date of Patent:** **\*\* Feb. 7, 2012**

(54) **PORTION OF A CLINICAL ANALYZER**

(75) Inventors: **Mitsuru Oonuma**, Tokyo (JP); **Akira Omachi**, Komae (JP); **Hiroshi Watanabe**, Hitachinaka (JP); **Masanori Akutsu**, Hitachinaka (JP); **Shigeki Matsubara**, Hitachinaka (JP)

(73) Assignee: **Hitachi High-Technologies Corporation**, Tokyo (JP)

(\*\*) Term: **14 Years**

(21) Appl. No.: **29/383,157**

(22) Filed: **Jan. 13, 2011**

(30) **Foreign Application Priority Data**

Jul. 23, 2010 (JP) ..... 2010-017872

(51) **LOC (9) Cl.** ..... **24-01**

(52) **U.S. Cl.** ..... **D24/216**

(58) **Field of Classification Search** ..... D24/216,  
D24/224, 231, 232, 186, 107, 169, 217, 233;  
D10/46, 81; 422/500, 547, 62-65, 67; 435/287.1,  
435/287.3; 436/43, 45, 47  
See application file for complete search history.

(56) **References Cited**

**U.S. PATENT DOCUMENTS**

D313,764 S 1/1991 Shaffer  
D320,443 S 10/1991 Yokoyama et al.  
D344,339 S \* 2/1994 Yoshikawa et al. .... D24/169  
D508,999 S \* 8/2005 Fanning et al. .... D24/216  
D523,153 S \* 6/2006 Akashi et al. .... D24/232

D599,688 S \* 9/2009 Ito ..... D10/81  
2007/0110617 A1 \* 5/2007 Nagai et al. .... 422/65  
2008/0019868 A1 \* 1/2008 Okumoto et al. .... 422/63  
2009/0269841 A1 \* 10/2009 Wojciechowski et al. .... 435/325

**OTHER PUBLICATIONS**

U.S. Appl. No. 29/383,151, filed Jan. 13, 2011, Oonuma et al., copending.

\* cited by examiner

*Primary Examiner* — Anhdao Doan

(74) *Attorney, Agent, or Firm* — Antonelli, Terry, Stout & Kraus, LLP.

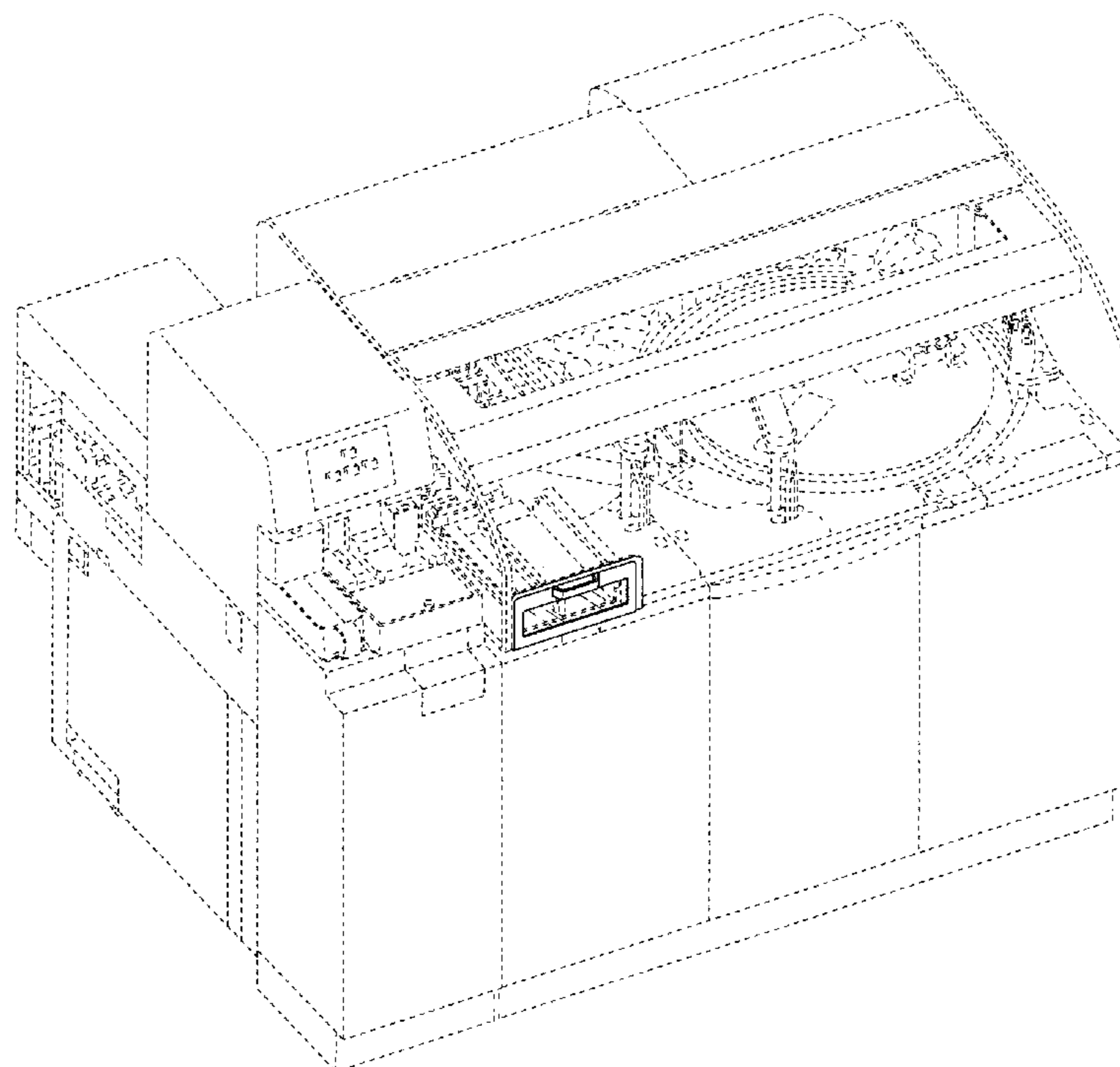
(57) **CLAIM**

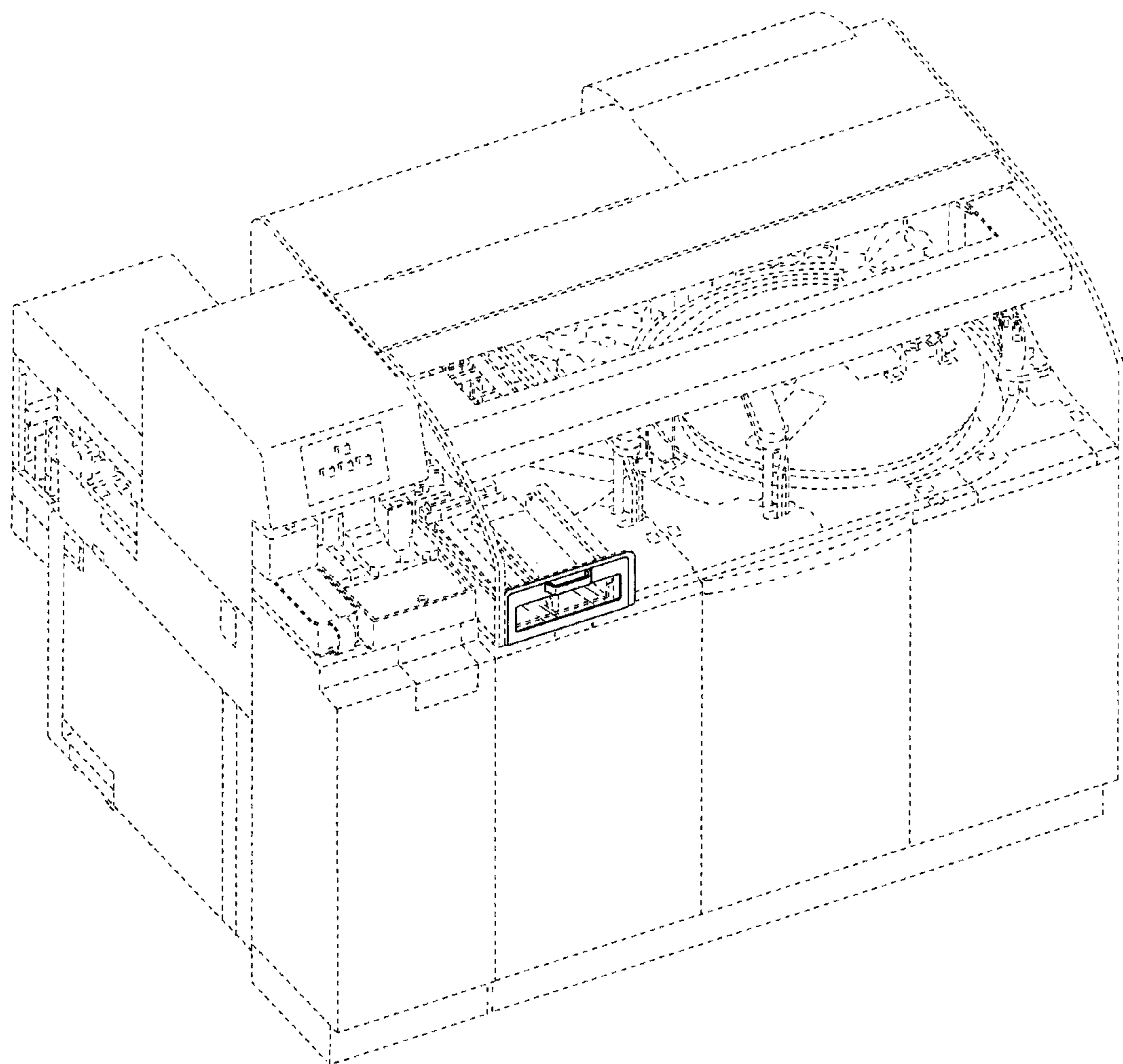
We claim the ornamental design for a portion of a clinical analyzer, as shown and described.

**DESCRIPTION**

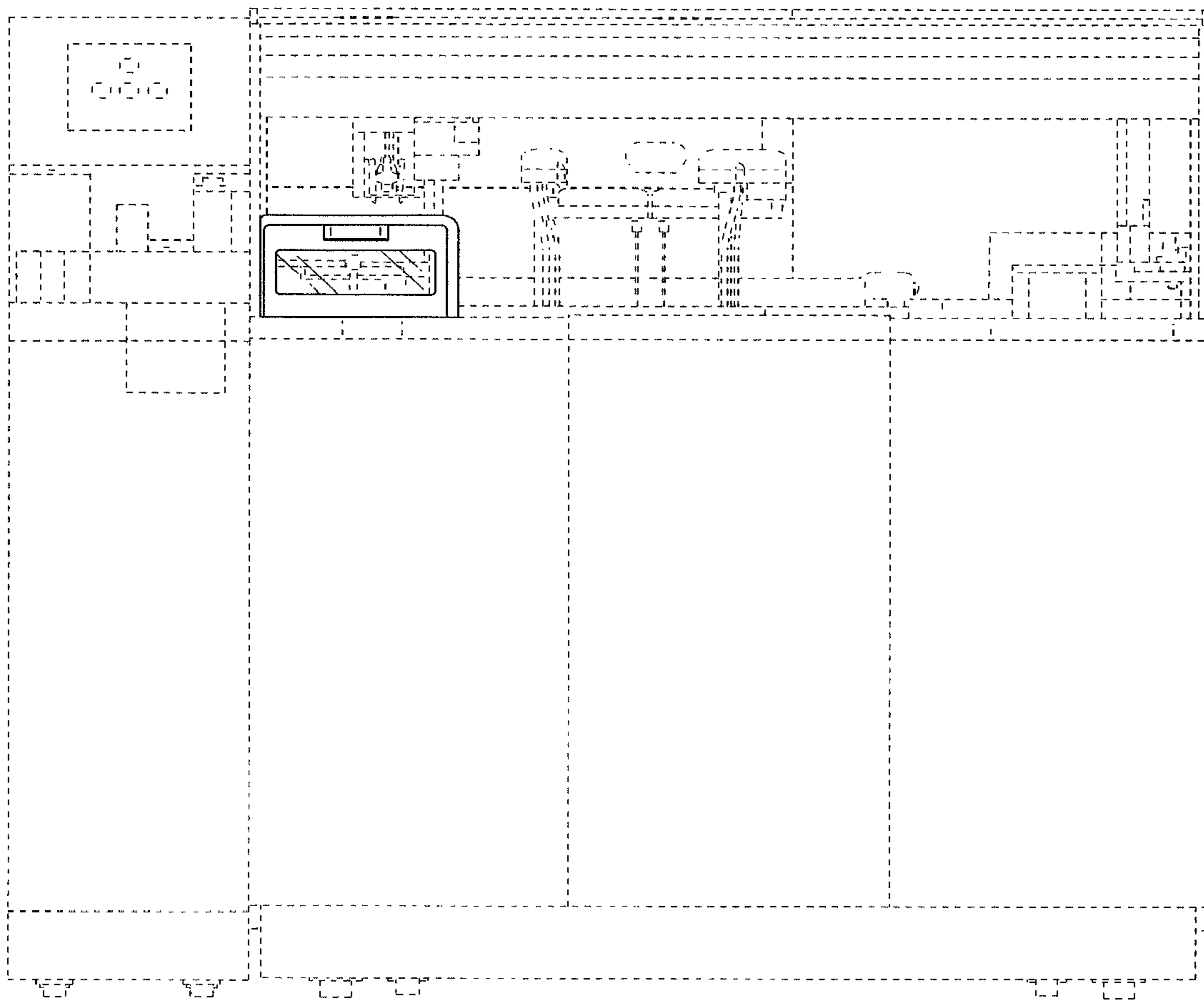
FIG. 1 is a front, top and left side perspective view of a portion of a clinical analyzer showing our new design;  
FIG. 2 is a front elevational view thereof;  
FIG. 3 is a rear elevational view thereof;  
FIG. 4 is a top plan view thereof;  
FIG. 5 is a bottom plan view thereof;  
FIG. 6 is a left side elevational view thereof; and,  
FIG. 7 is a right side elevational view thereof.  
The broken lines in all drawing views are included for the purpose of illustrating portions of the clinical analyzer that form no part of the claimed design.

**1 Claim, 7 Drawing Sheets**

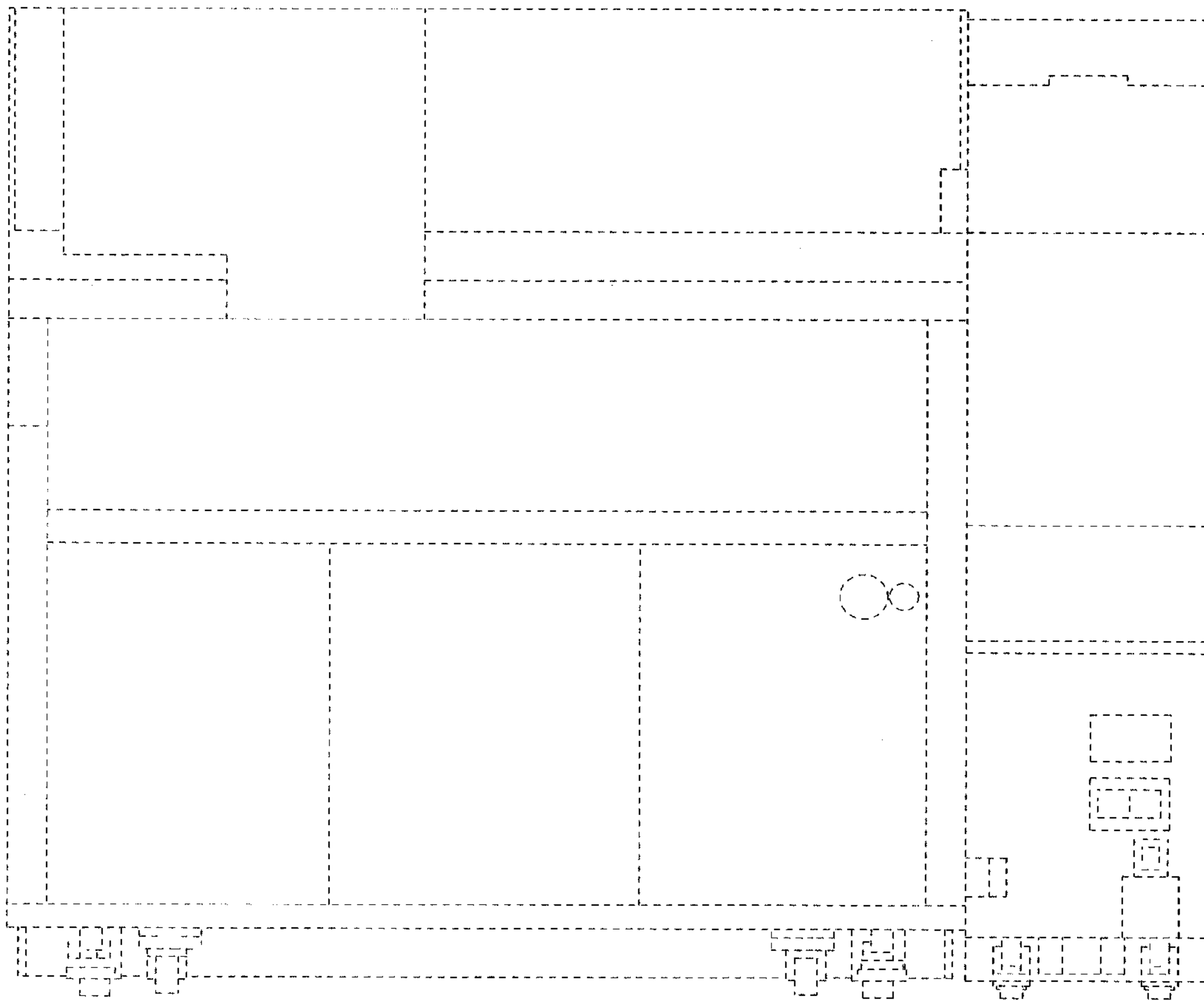




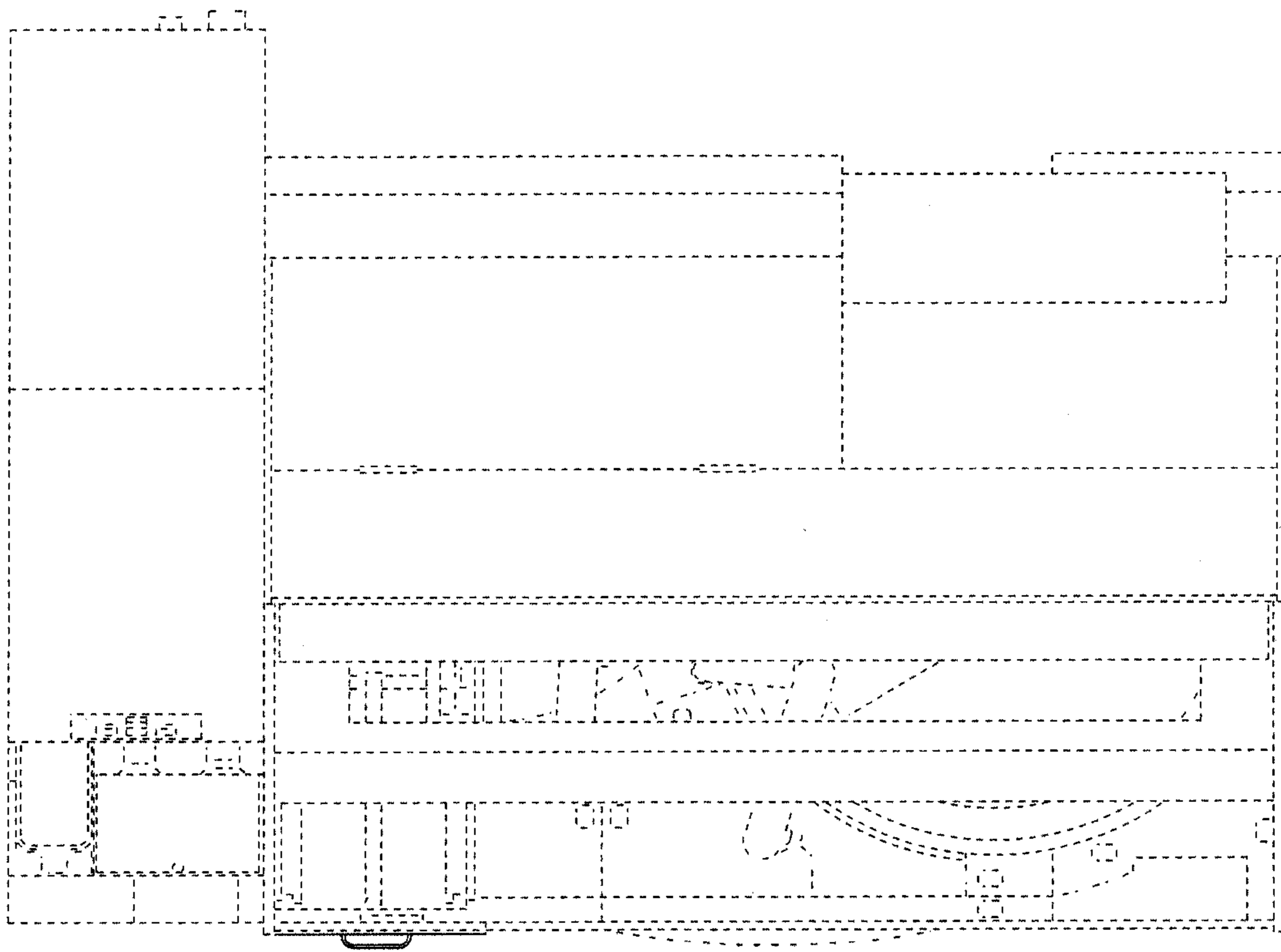
*FIG. 1*



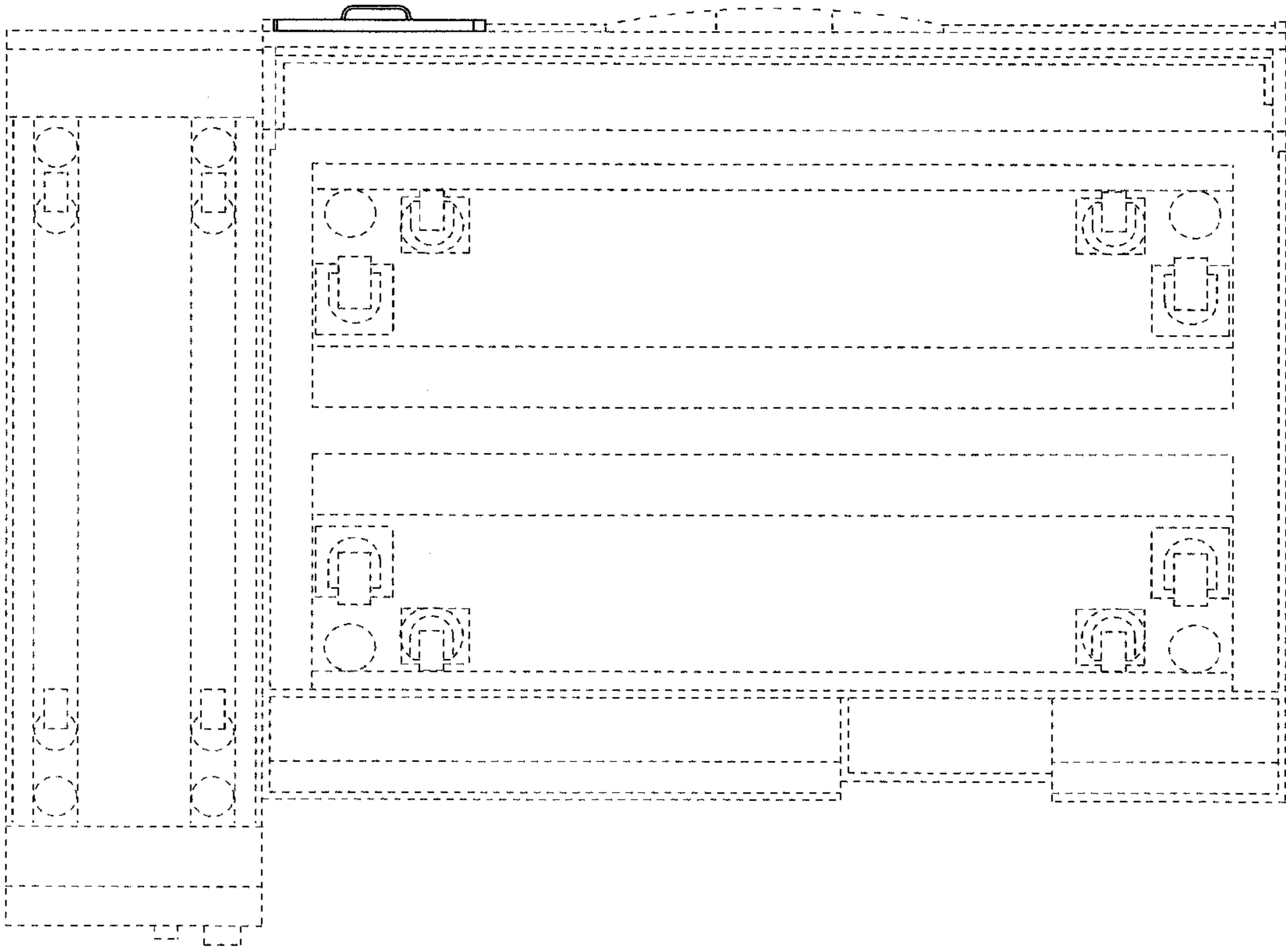
**FIG. 2**



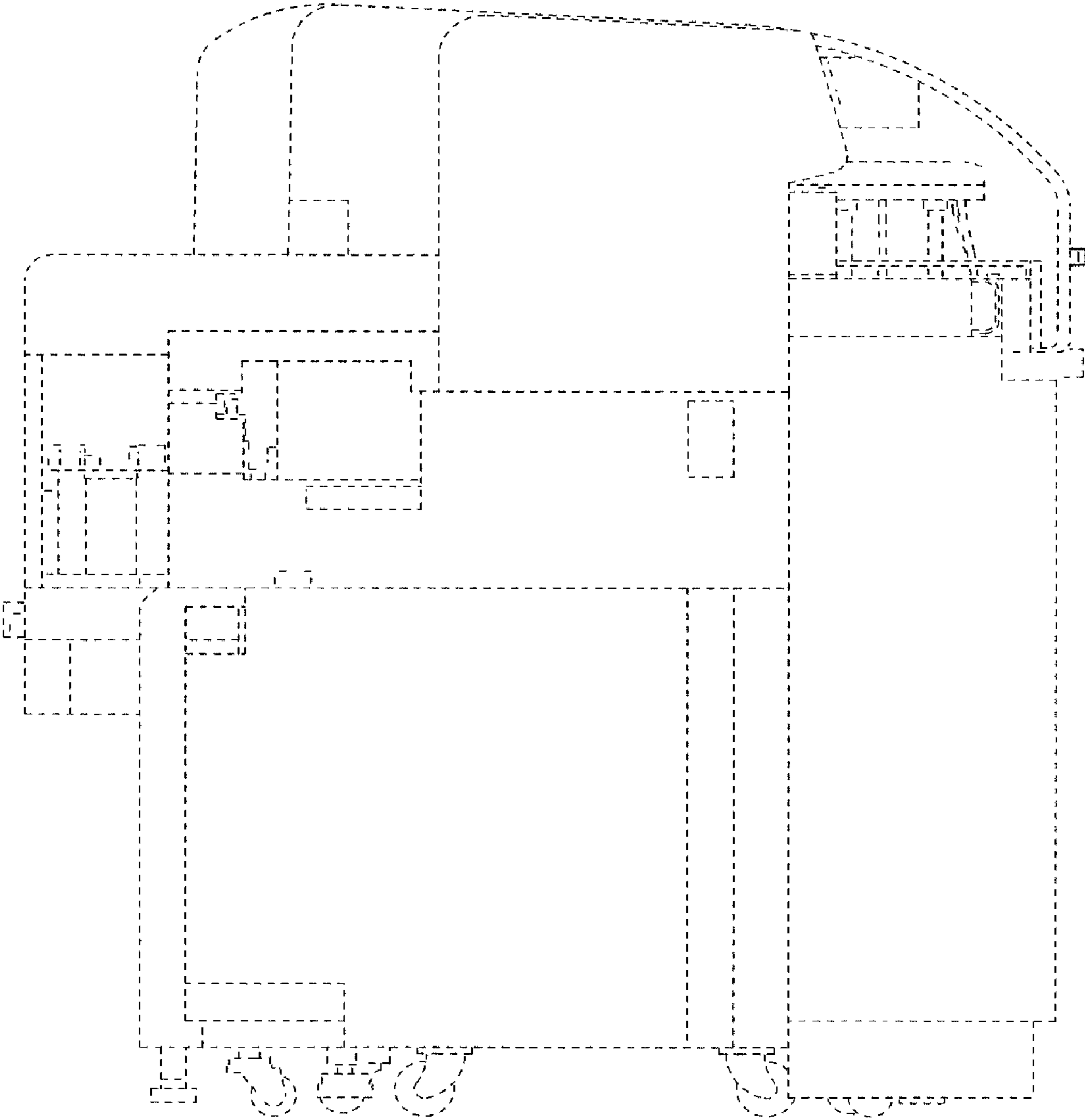
**FIG. 3**



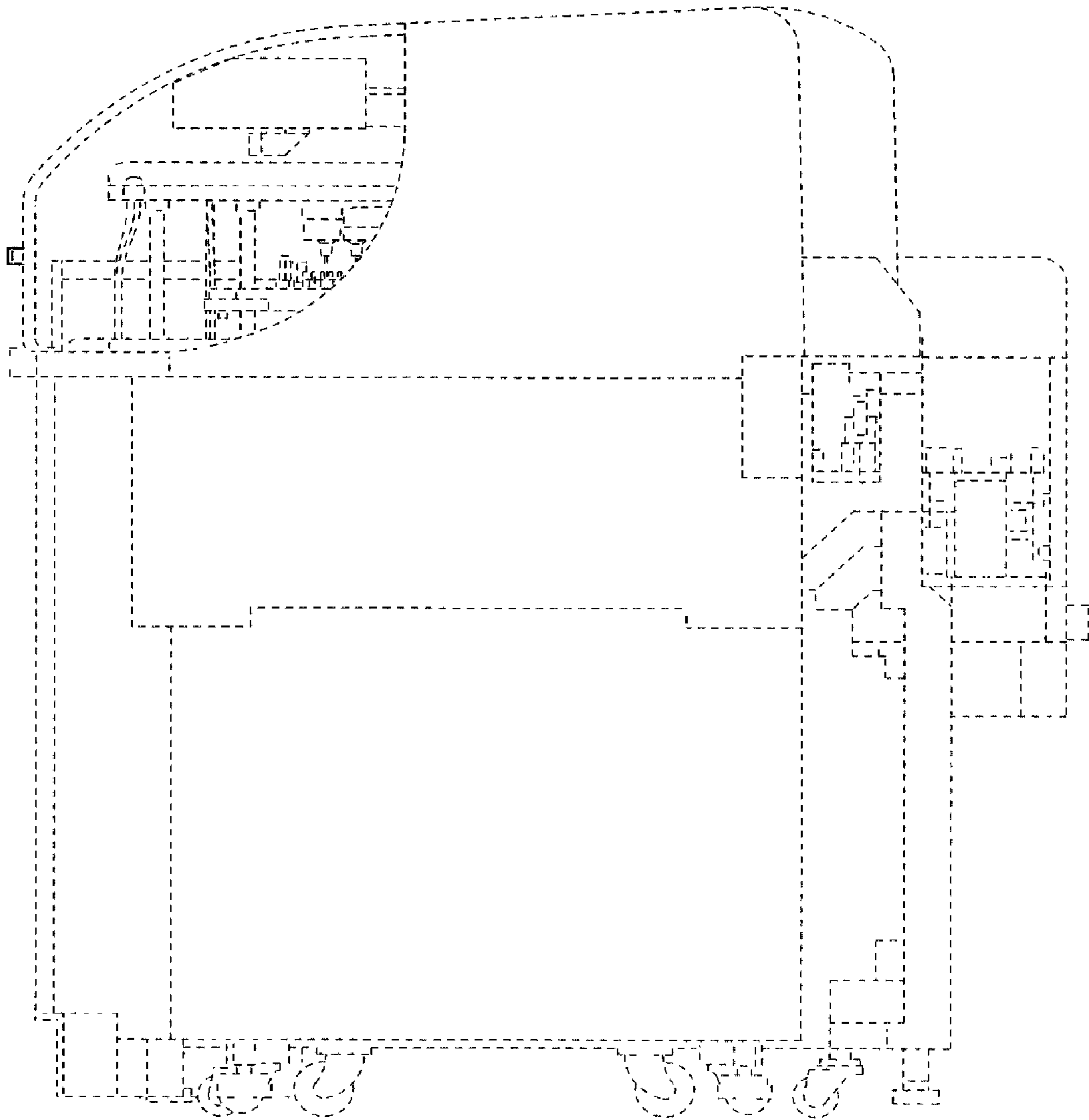
**FIG. 4**



**FIG. 5**



**FIG. 6**



**FIG. 7**