



US00D653760S

(12) **United States Design Patent**
Johnson

(10) **Patent No.:** **US D653,760 S**

(45) **Date of Patent:** **** Feb. 7, 2012**

(54) **VAPOR ION PLASMA GENERATOR**

(76) **Inventor:** **Dennis E. J. Johnson**, Colorado Springs,
CO (US)

(**) **Term:** **14 Years**

(21) **Appl. No.:** **29/368,937**

(22) **Filed:** **Aug. 31, 2010**

(51) **LOC (9) Cl.** **24-01**

(52) **U.S. Cl.** **D24/164**

(58) **Field of Classification Search** D24/163,
D24/164, 165, 169, 216, 231, 232, 110, 110.5,
D24/217; D23/204, 205, 206, 207; D9/690;
D3/203.7; 128/204.18, 204.25, 205.15, 205.18,
128/205.24, 202.25, 202.26; 141/3, 4; 422/45,
422/305

See application file for complete search history.

(56) **References Cited**

U.S. PATENT DOCUMENTS

2,258,746	A *	10/1941	Dickman	122/39
D273,695	S *	5/1984	Johnson et al.	D23/207
D273,697	S *	5/1984	Johnson et al.	D23/207
D316,897	S *	5/1991	Burger et al.	D24/232

5,196,171	A *	3/1993	Peltier	422/121
D372,529	S *	8/1996	Remes	D24/110
D436,401	S *	1/2001	Remes et al.	D24/164
D490,519	S *	5/2004	Pelerossi et al.	D24/164
D516,211	S *	2/2006	Minshull et al.	D24/110
D568,996	S *	5/2008	Woodruff	D24/164
D579,104	S *	10/2008	Benzick et al.	D24/110
D631,956	S *	2/2011	Lulla et al.	D24/110

* cited by examiner

Primary Examiner — Anhdao Doan

(57) **CLAIM**

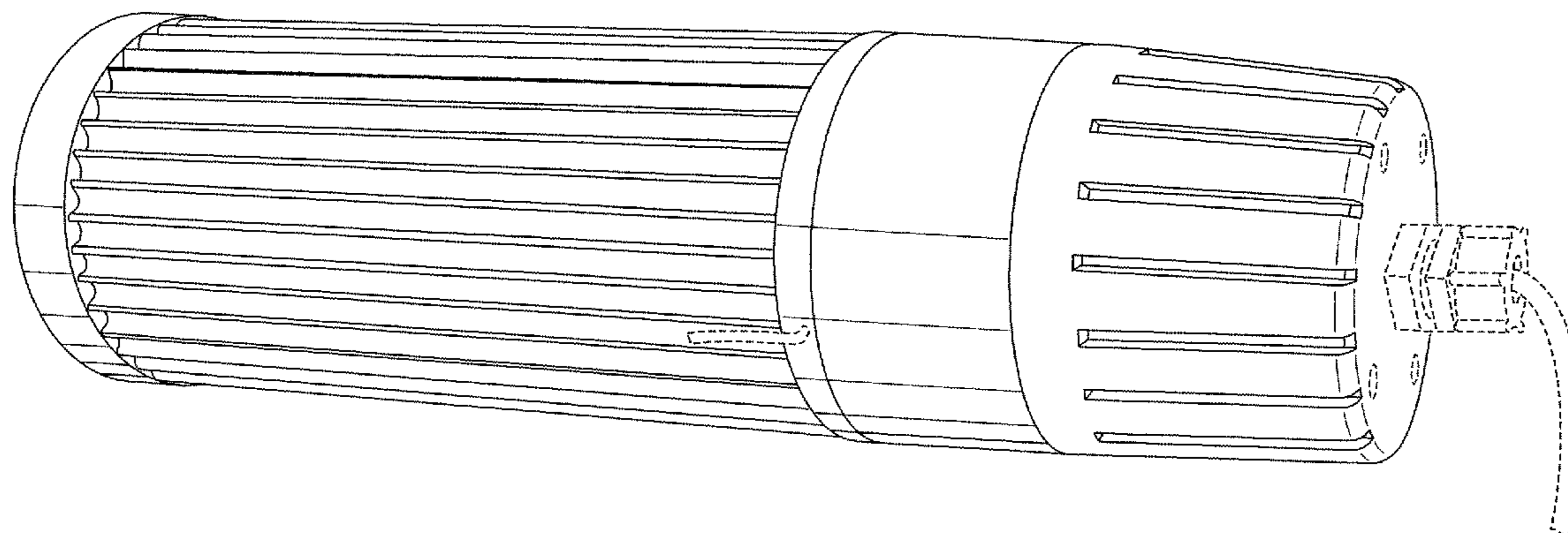
The ornamental design for a vapor ion plasma generator, as shown and described.

DESCRIPTION

FIG. 1 is a side perspective view of a vapor ion plasma generator showing my new design;
FIG. 2 is another side perspective view thereof;
FIG. 3 is a left end view thereof;
FIG. 4 is a right end view thereof; and,
FIG. 5 is a side view thereof.

The broken lines shown in the figure views are included for the purpose of illustrating portions of the vapor ion plasma generator that form no part of the claimed design.

1 Claim, 2 Drawing Sheets



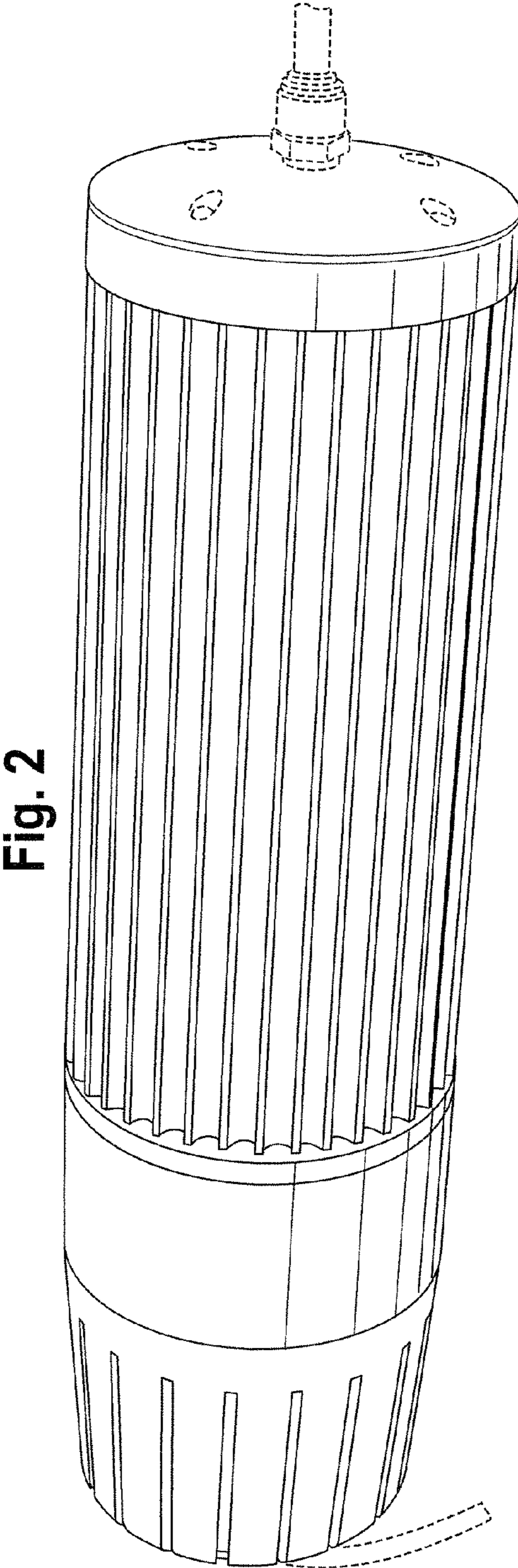
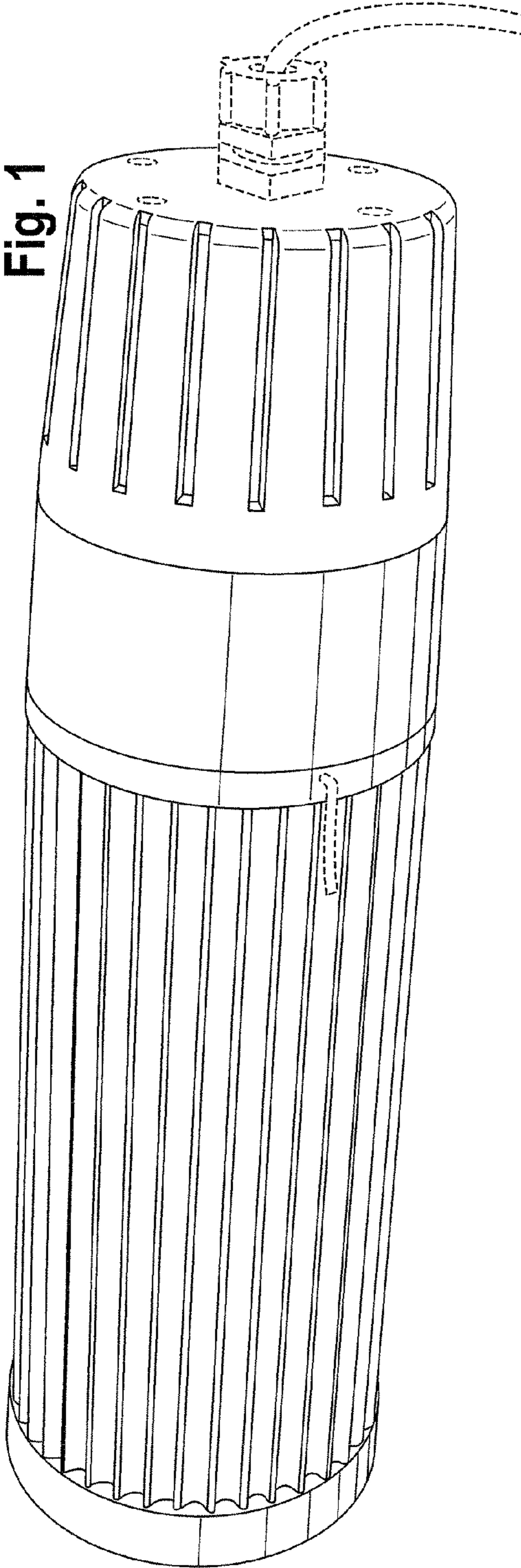


Fig. 4

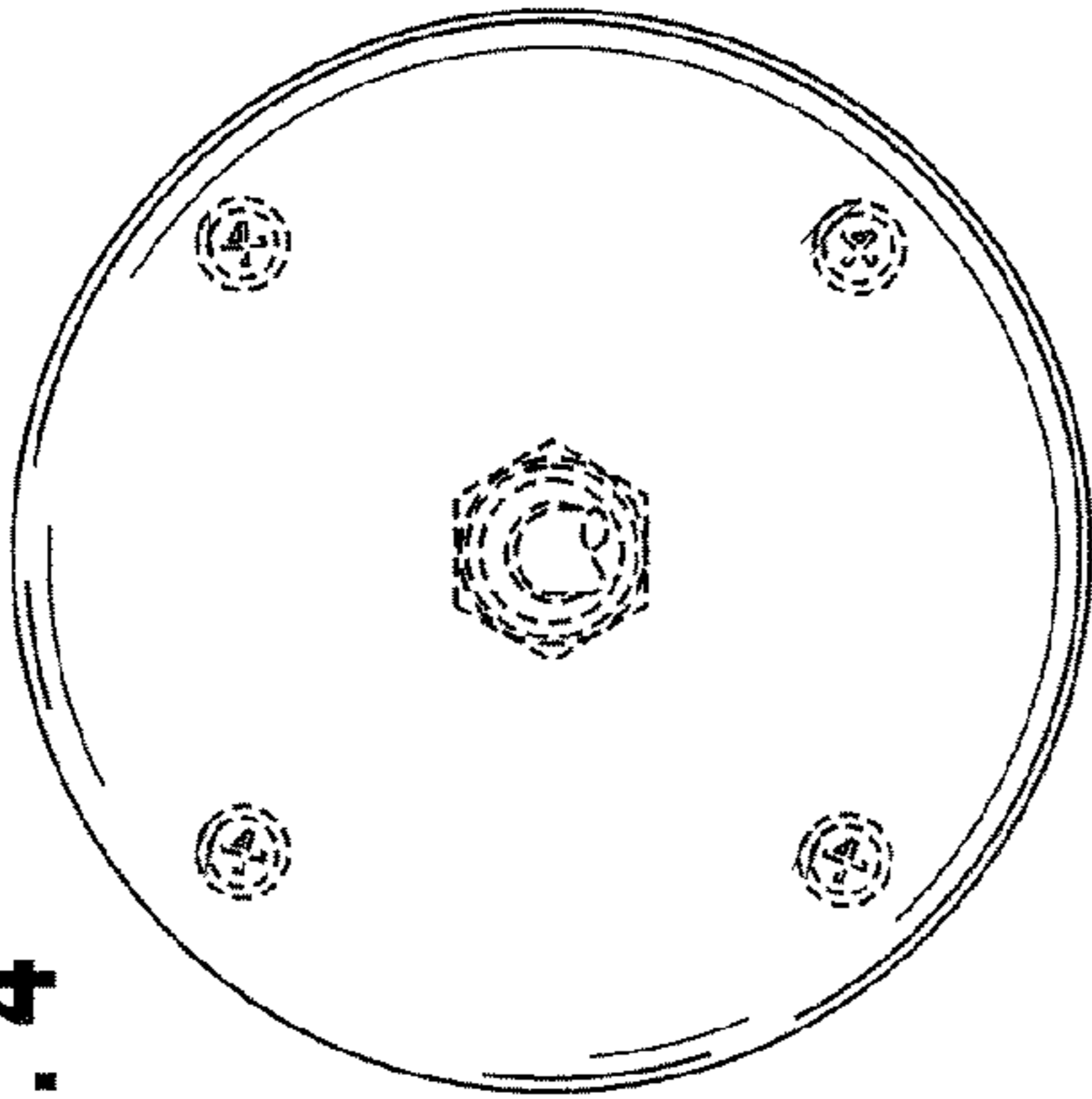


Fig. 3

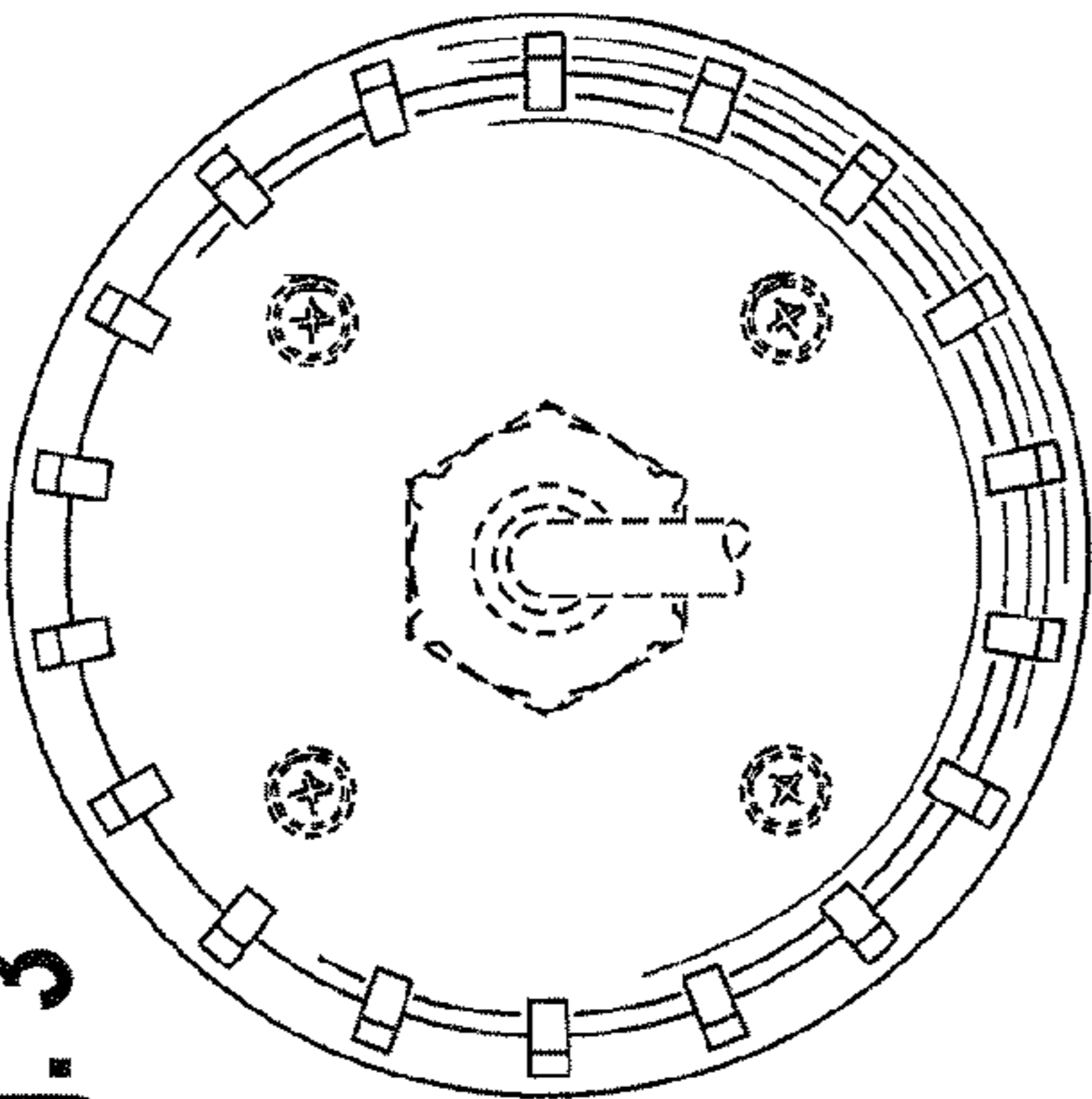


Fig. 5

