

US00D653759S

(12) **United States Design Patent**
Smith et al.

(10) **Patent No.:** **US D653,759 S**
(45) **Date of Patent:** **** Feb. 7, 2012**

(54) **PROSTHESIS**

(75) Inventors: **Justin R. Smith**, West Jordan, UT (US);
Robert E. Finlinson, Salt Lake City, UT
(US); **Nathan A. Williams**, Salt Lake
City, UT (US); **Jeffrey J. Friesen**,
Sandy, UT (US); **Kelli D. Hales**,
Centerville, UT (US)

(73) Assignee: **Otto Bock Healthcare GmbH**,
Duderstadt (DE)

(**) Term: **14 Years**

(21) Appl. No.: **29/387,501**

(22) Filed: **Mar. 14, 2011**

(51) **LOC (9) Cl.** **24-03**

(52) **U.S. Cl.** **D24/155**

(58) **Field of Classification Search** D24/155-157;
623/53-56

See application file for complete search history.

(56) **References Cited**

U.S. PATENT DOCUMENTS

5,509,938	A *	4/1996	Phillips	623/56
5,899,944	A *	5/1999	Phillips	623/55
6,527,811	B1 *	3/2003	Phillips	623/52
6,929,665	B2 *	8/2005	Christensen	623/52
7,060,104	B2 *	6/2006	Phillips	623/55
D579,115	S *	10/2008	Rubie et al.	D24/155
D632,392	S *	2/2011	Jacobs et al.	D24/155
D633,205	S *	2/2011	Muhlenberend	D24/155
D633,618	S *	3/2011	Johnson et al.	D24/155

2003/0144745	A1 *	7/2003	Phillips	623/55
2003/0191541	A1 *	10/2003	Phillips	623/55
2007/0027557	A1 *	2/2007	Jonsson et al.	623/55

OTHER PUBLICATIONS

Excerpt from Catalogue for Renegade® Prosthetic Foot(RS1), published in 2010, distributed by Freedom Innovations, LLC.
Excerpt from Catalogue for Renegade® (MX (RS1-M1 or RS6-M1), published in 2010, distributed by Freedom Innovations, LLC.
Excerpt from Catalogue for Silhouette® Prosthetic Foot (RS4), published in 2010, distributed by Freedom Innovations, LLC.
Sale sheet for Silhouette VS and LP-VS, published in 2010, distributed by Freedom Innovations, LLC.

* cited by examiner

Primary Examiner — Ian Simmons

Assistant Examiner — Charles Hanson

(74) *Attorney, Agent, or Firm* — Holland & Hart LLP

(57) **CLAIM**

The ornamental design for a prosthesis, as shown and described.

DESCRIPTION

FIG. 1 is a perspective view of a prosthesis according to the present invention;

FIG. 2 is another perspective view thereof;

FIG. 3 is right side view thereof;

FIG. 4 is left side view thereof;

FIG. 5 is top view thereof;

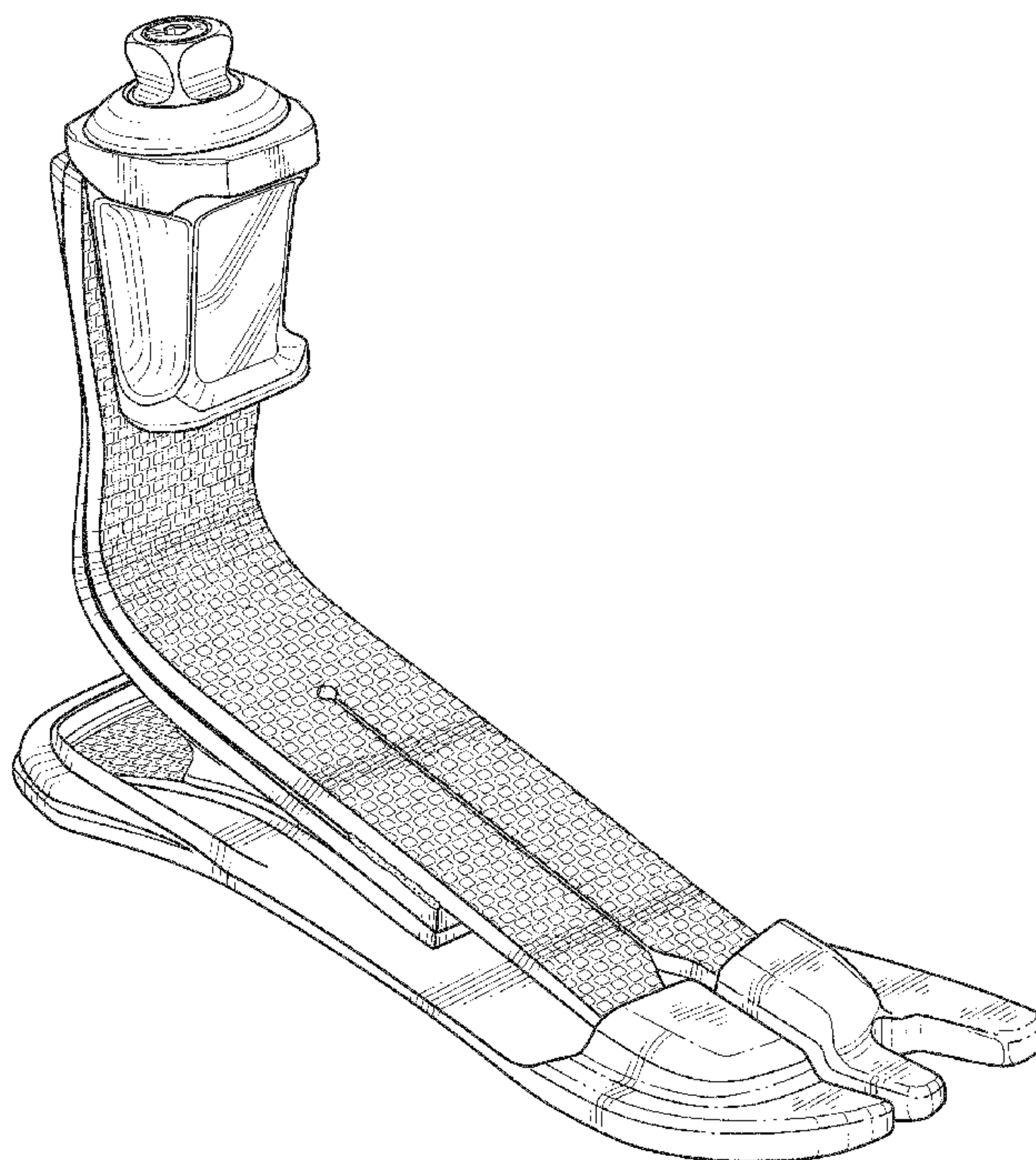
FIG. 6 is bottom view thereof;

FIG. 7 is front view thereof; and,

FIG. 8 is rear view thereof.

The broken line showing in FIG. 6 is included for the purpose of illustrating environment and forms no part of the claimed design.

1 Claim, 5 Drawing Sheets



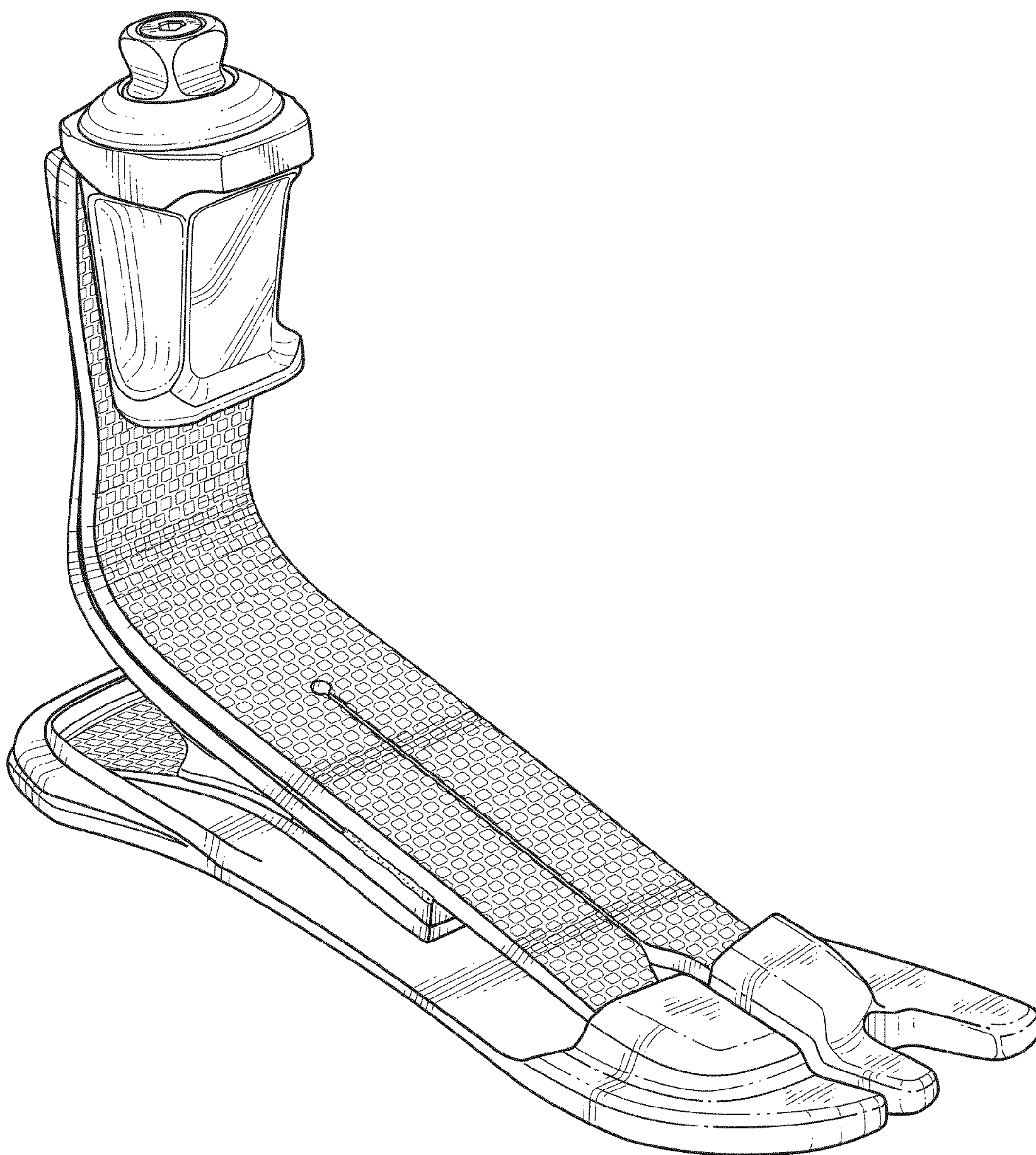


FIG. 1

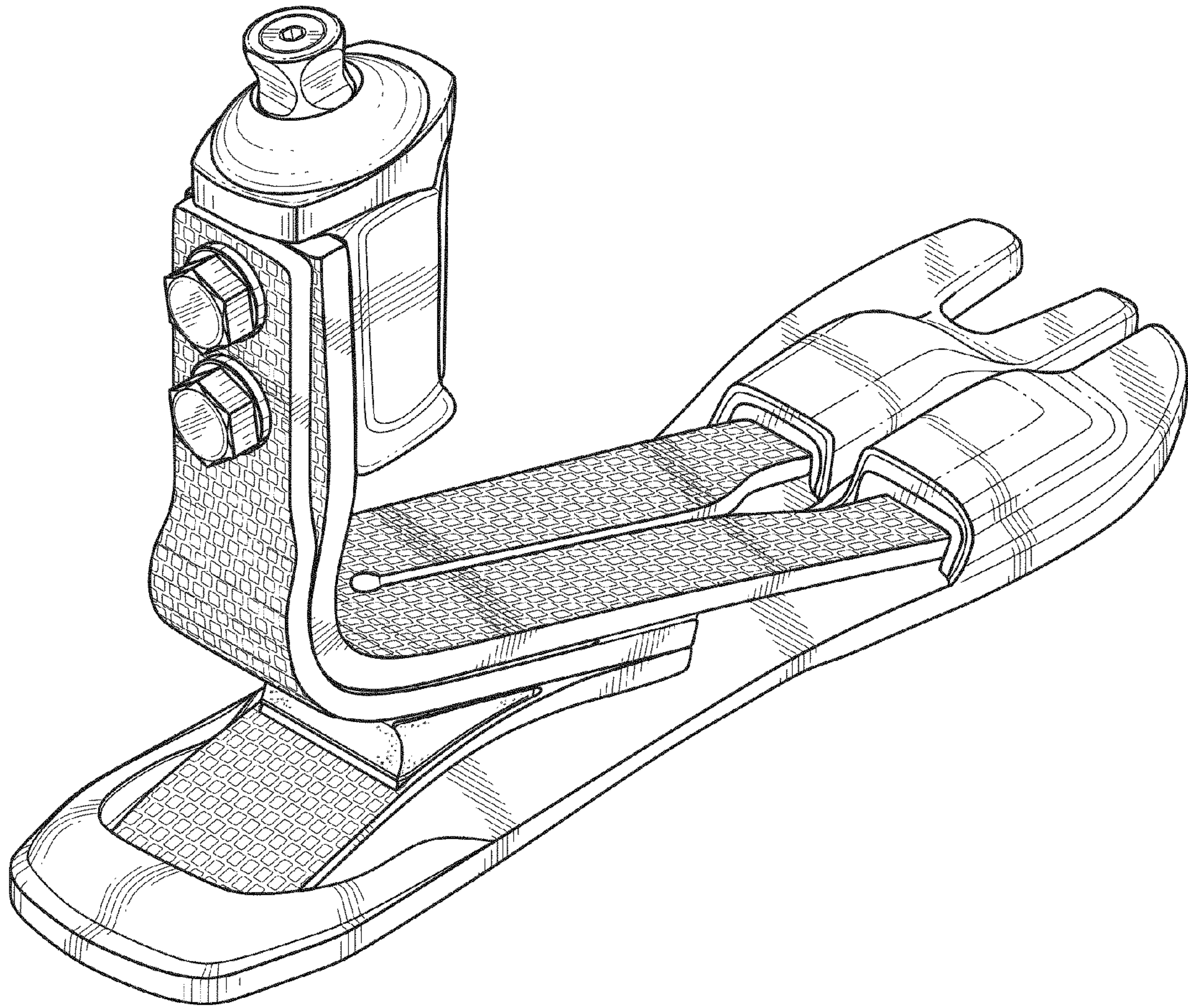


FIG. 2

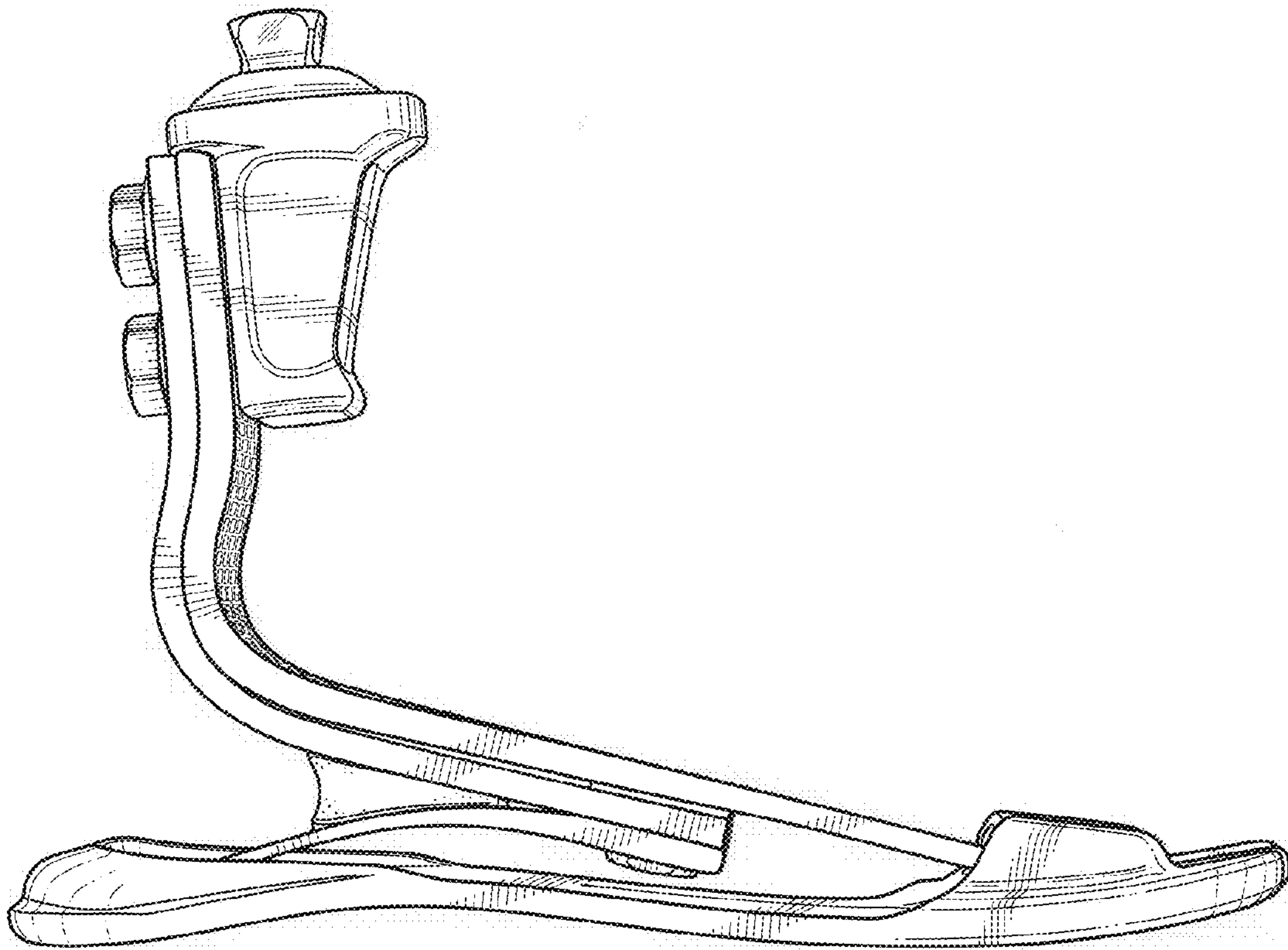


FIG. 3

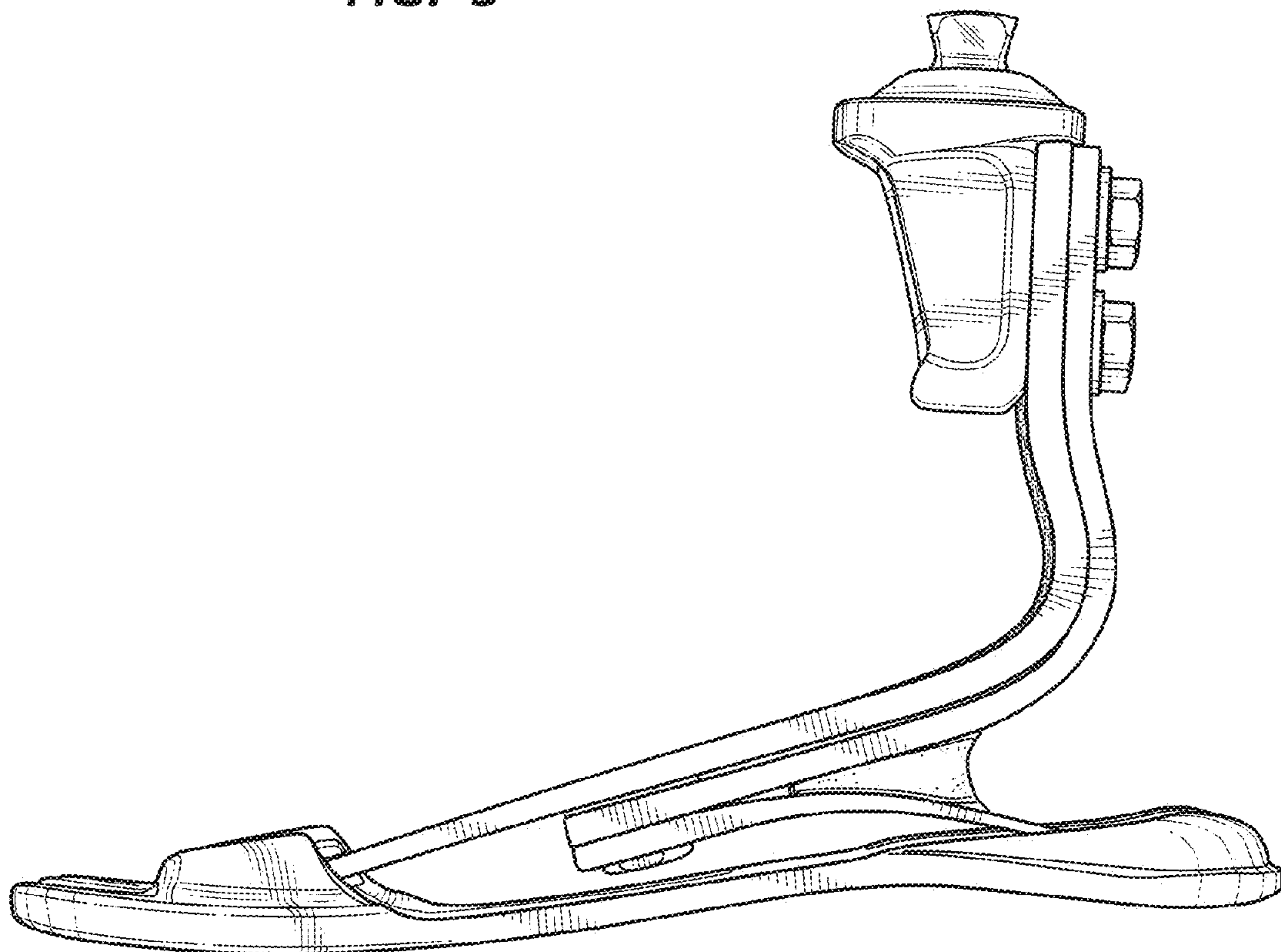


FIG. 4

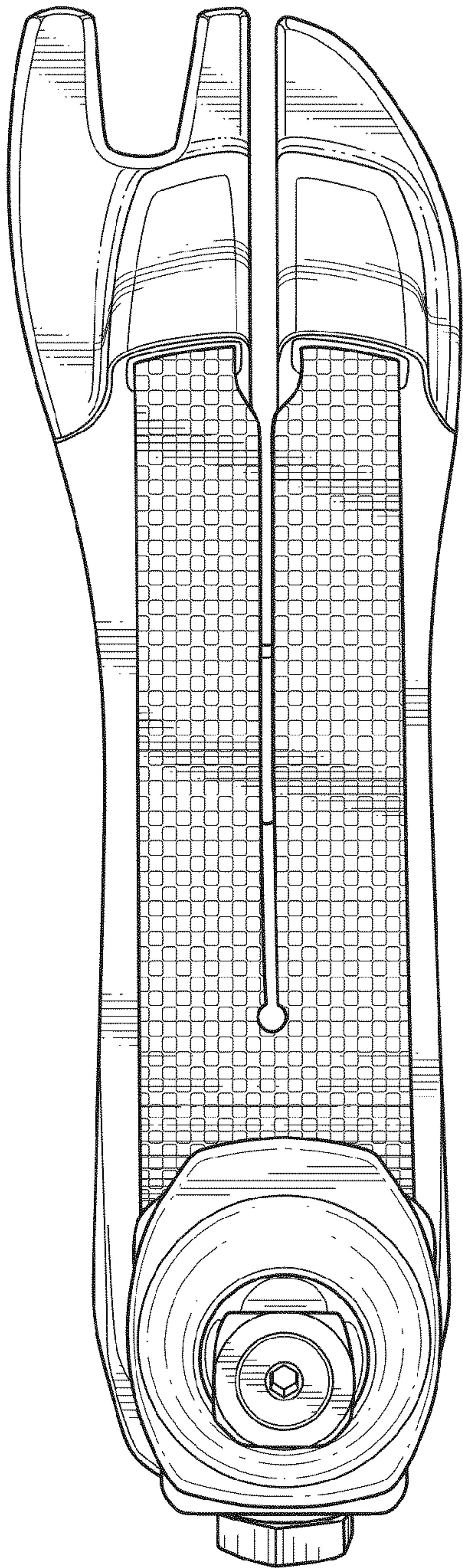


FIG. 5

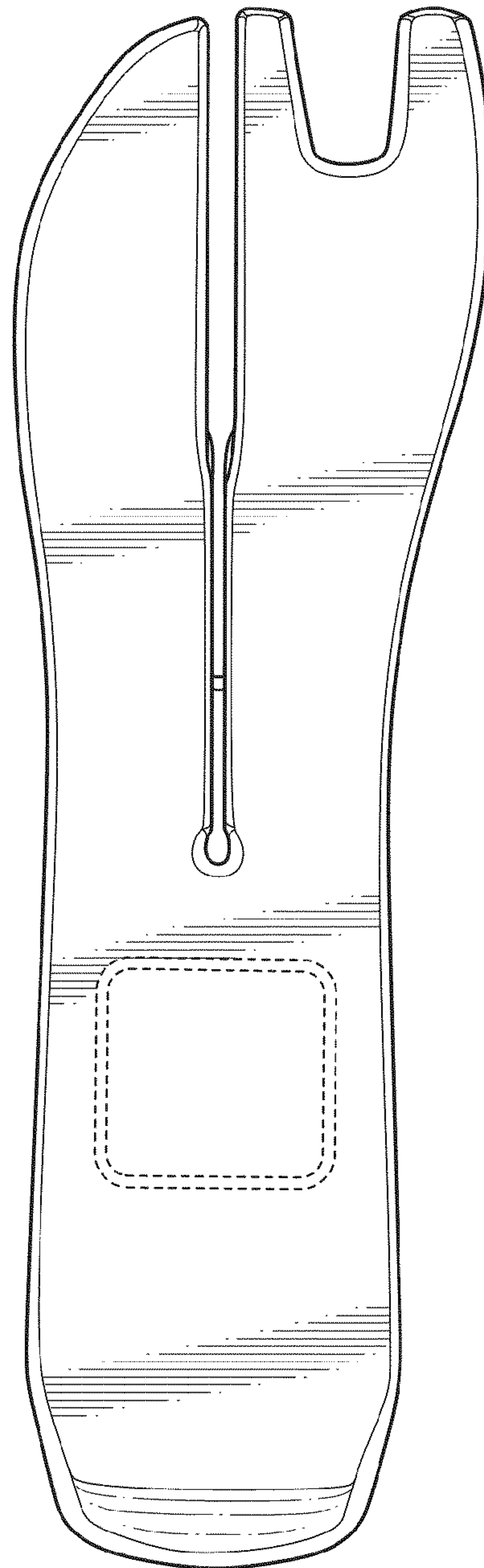


FIG. 6

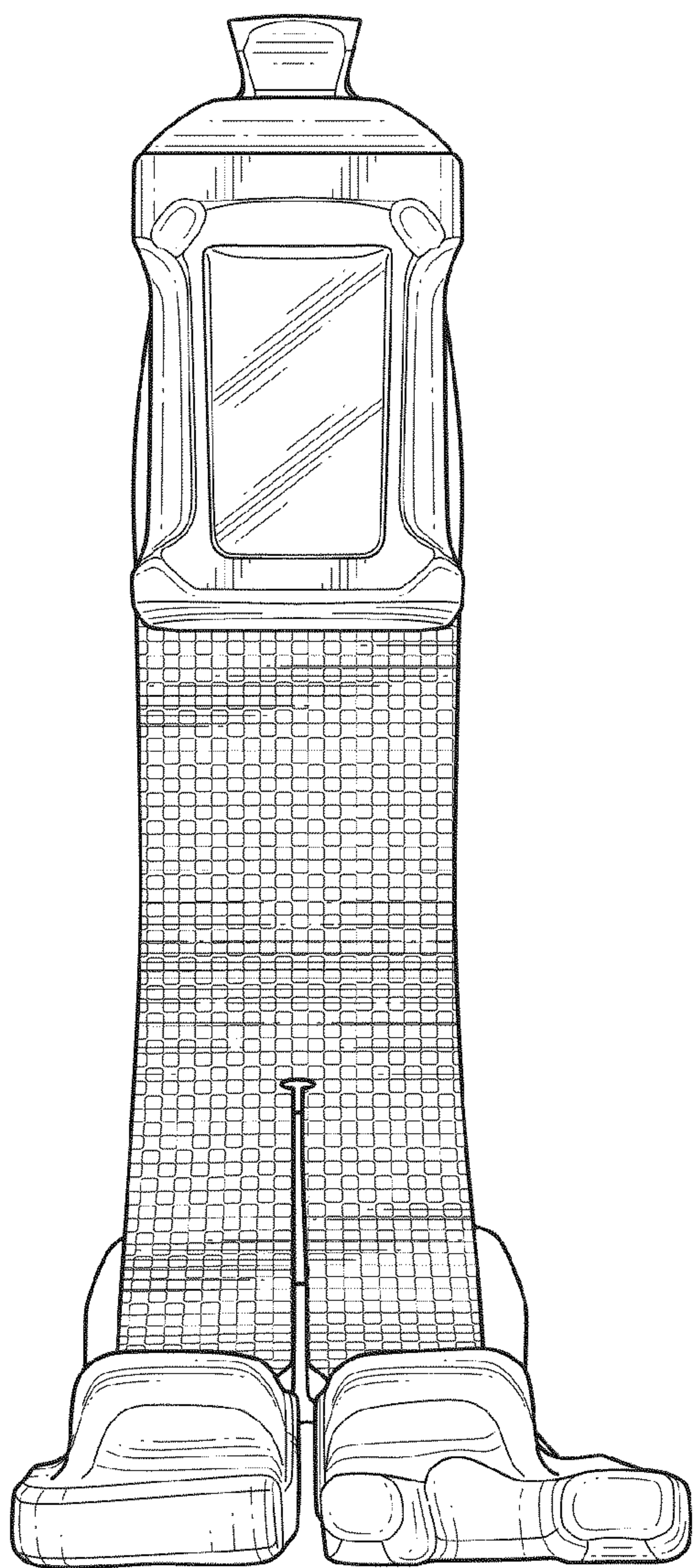


FIG. 7

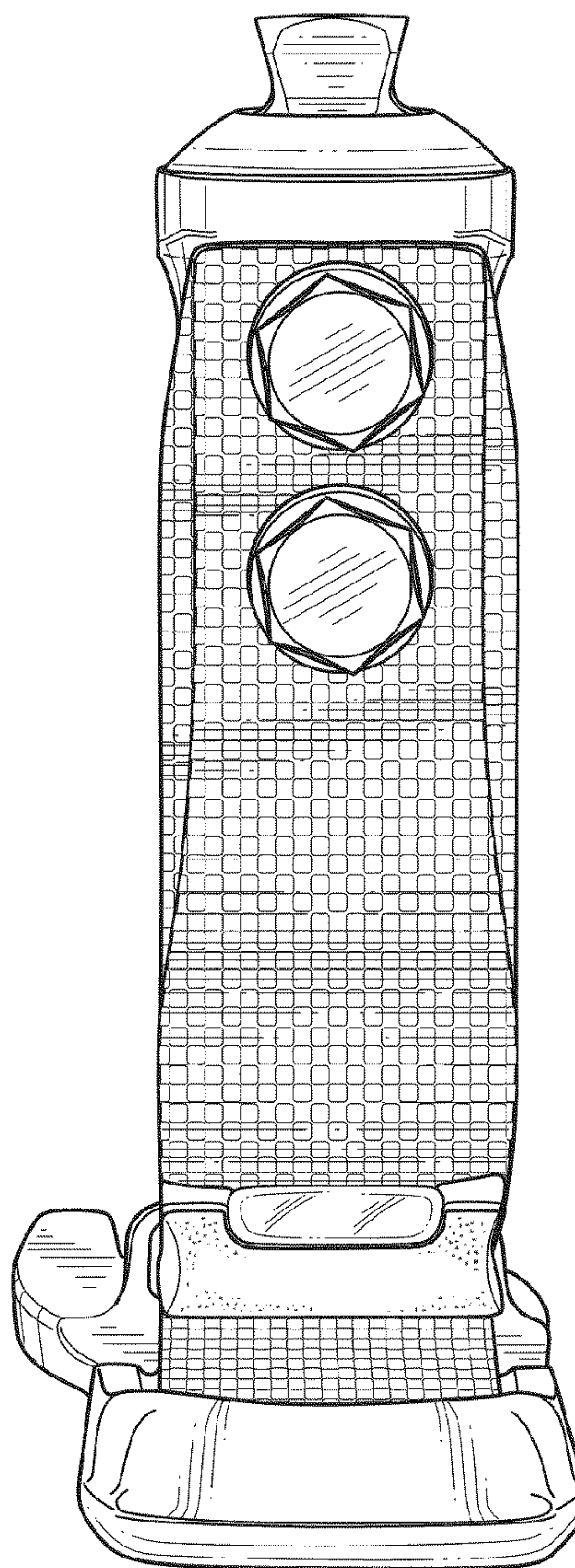


FIG. 8