



US00D653757S

(12) **United States Design Patent**
Binder

(10) **Patent No.:** **US D653,757 S**

(45) **Date of Patent:** **** Feb. 7, 2012**

(54) **INTERVERTEBRAL SPINAL STABILIZATION DEVICE**

D629,106 S * 12/2010 Horton et al. D24/155
D629,519 S * 12/2010 Horton D24/155
D629,905 S * 12/2010 Horton et al. D24/155

(75) Inventor: **Lawrence John Binder**, Miami, FL (US)

* cited by examiner

(73) Assignee: **Binder Biomedical, Inc.**, Boca Raton, FL (US)

Primary Examiner — Ian Simmons

Assistant Examiner — Charles Hanson

(74) *Attorney, Agent, or Firm* — J. Mark Bledsoe; Mark Swanson; Bradley Arant Boult Cummings, LLP

(**) Term: **14 Years**

(21) Appl. No.: **29/357,190**

(57) **CLAIM**

I claim the ornamental design for an intervertebral spinal stabilization device, as shown and described.

(22) Filed: **Mar. 9, 2010**

(51) **LOC (9) Cl.** **24-02**

(52) **U.S. Cl.** **D24/155**

(58) **Field of Classification Search** D24/155–157;
606/60, 61, 73, 95, 213, 65, 67, 288, 902,
606/246, 248, 249; 623/17.11, 17.12, 17.13,
623/17.14, 17.15, 17.16, 23.61, 23.56, 247,
623/213; D15/143, 139

See application file for complete search history.

DESCRIPTION

FIG. 1 is a front perspective view of the intervertebral spinal stabilization device;

FIG. 2 is a back perspective view of the intervertebral spinal stabilization device;

FIG. 3 is a top view of the intervertebral spinal stabilization device;

FIG. 4 is a front view of the intervertebral spinal stabilization device;

FIG. 5 is a right view of the intervertebral spinal stabilization device;

FIG. 6 is a back view of the intervertebral spinal stabilization device;

FIG. 7 is a left view of the intervertebral spinal stabilization device; and,

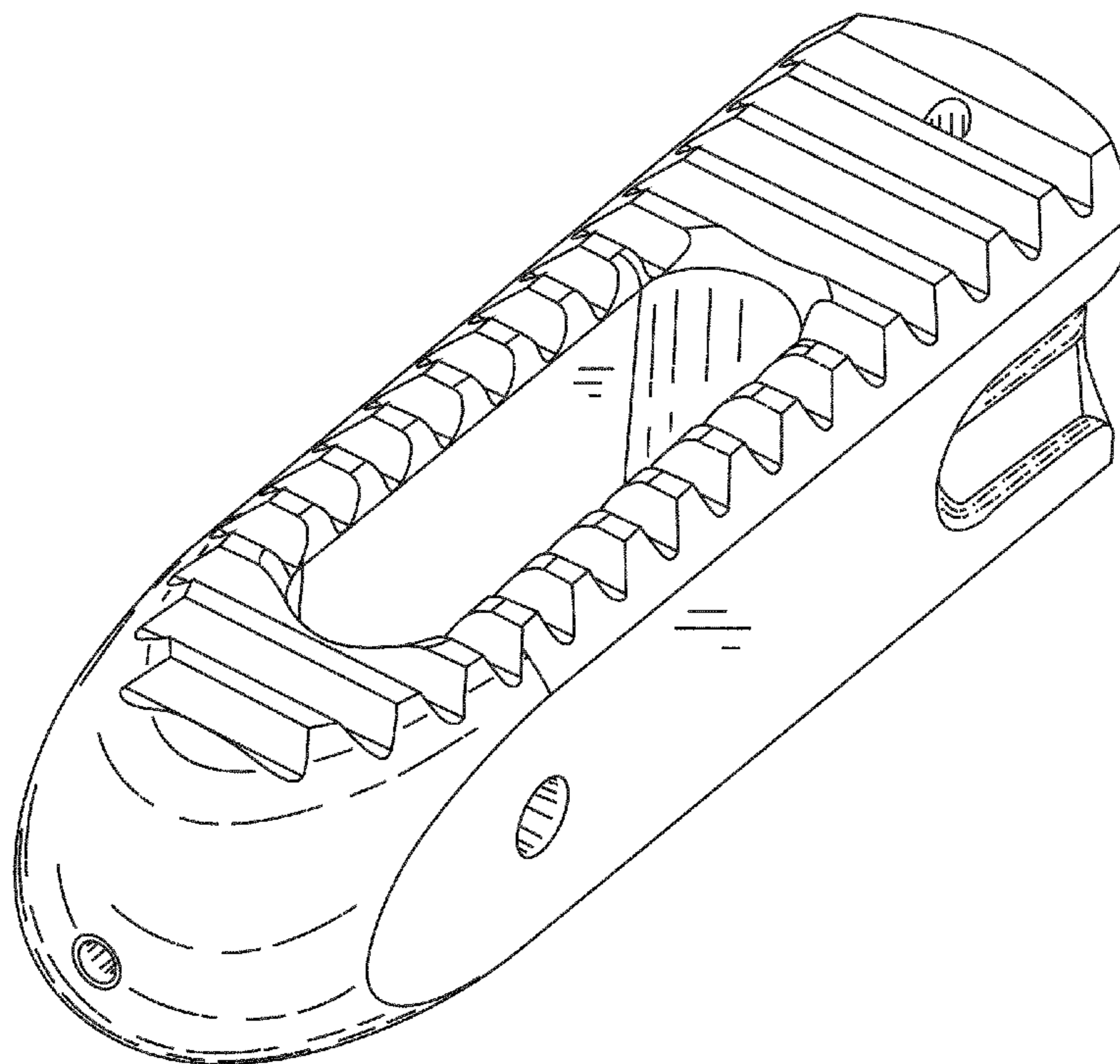
FIG. 8 is a bottom view of the intervertebral spinal stabilization device.

(56) **References Cited**

U.S. PATENT DOCUMENTS

5,766,252	A *	6/1998	Henry et al.	623/17.16
6,432,140	B1 *	8/2002	Lin	623/17.16
6,436,140	B1 *	8/2002	Liu et al.	623/17.11
D583,053	S *	12/2008	Zhukauskas et al.	D24/155
D605,768	S *	12/2009	Zhukauskas et al.	D24/155
D612,500	S *	3/2010	Strobel et al.	D24/155
D619,719	S *	7/2010	Pannu	D24/155
D620,117	S *	7/2010	Dawson et al.	D24/156
D625,822	S *	10/2010	Lewis et al.	D24/155
D626,233	S *	10/2010	Cipoletti et al.	D24/155

1 Claim, 3 Drawing Sheets



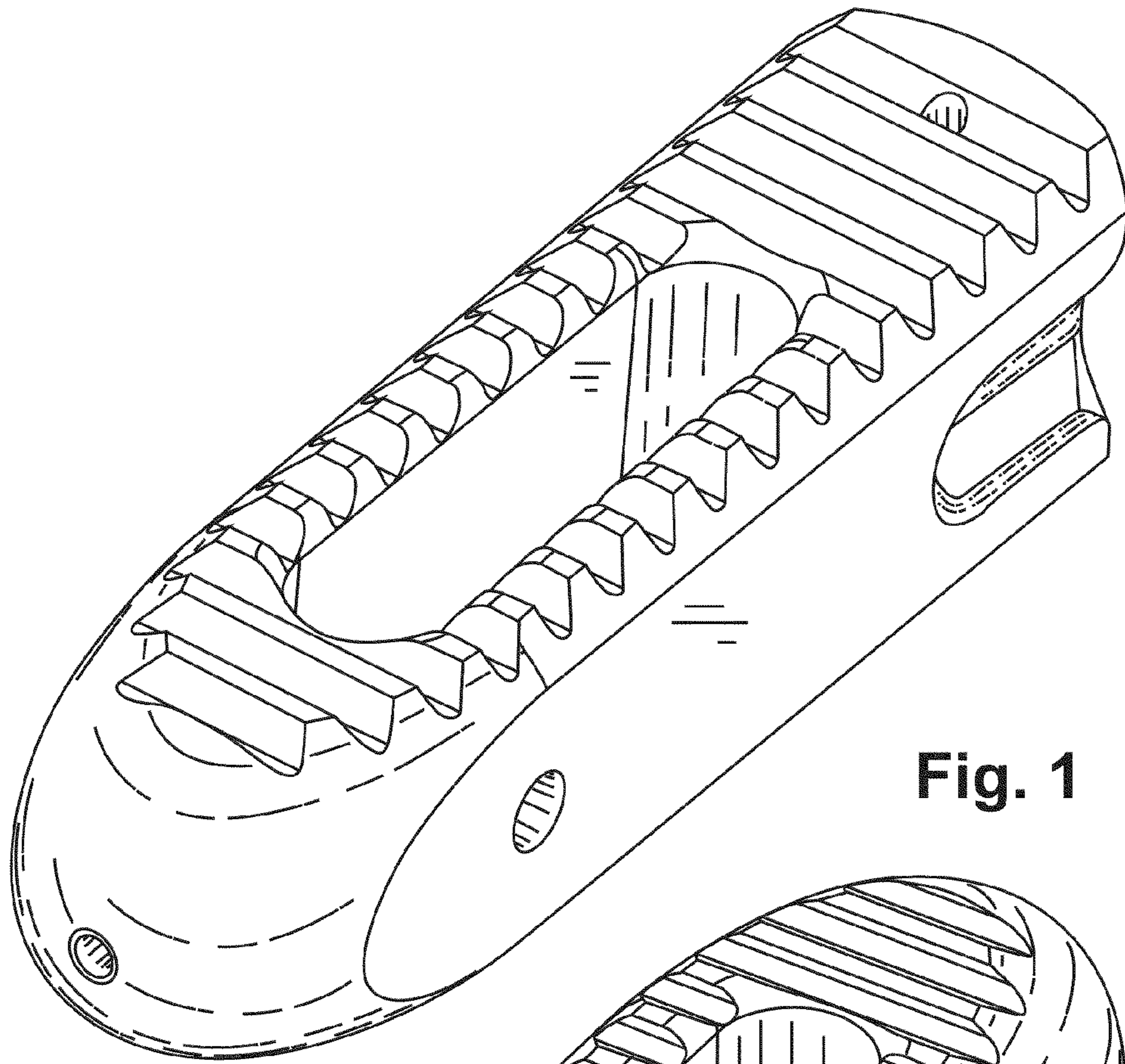


Fig. 1

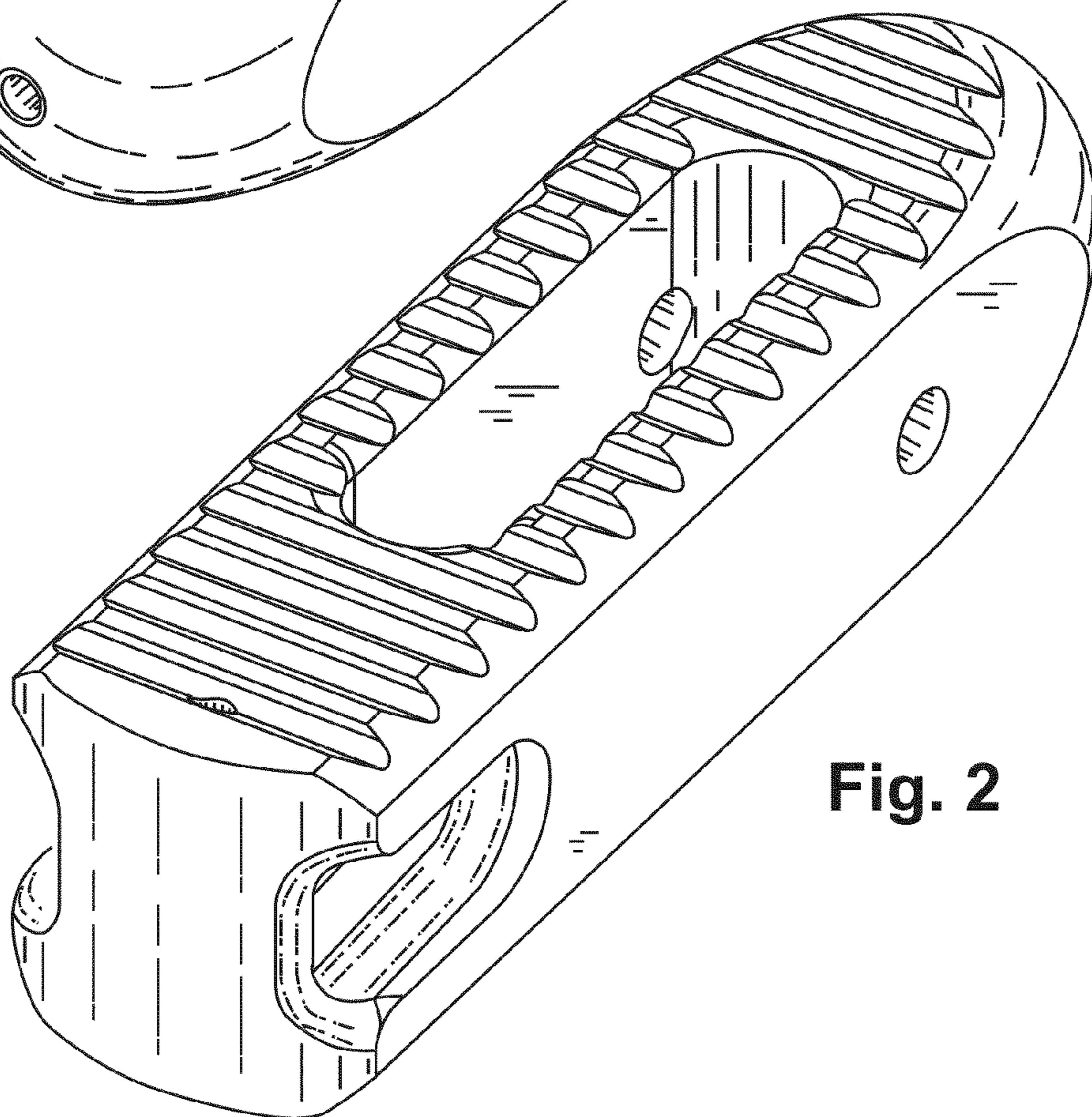


Fig. 2

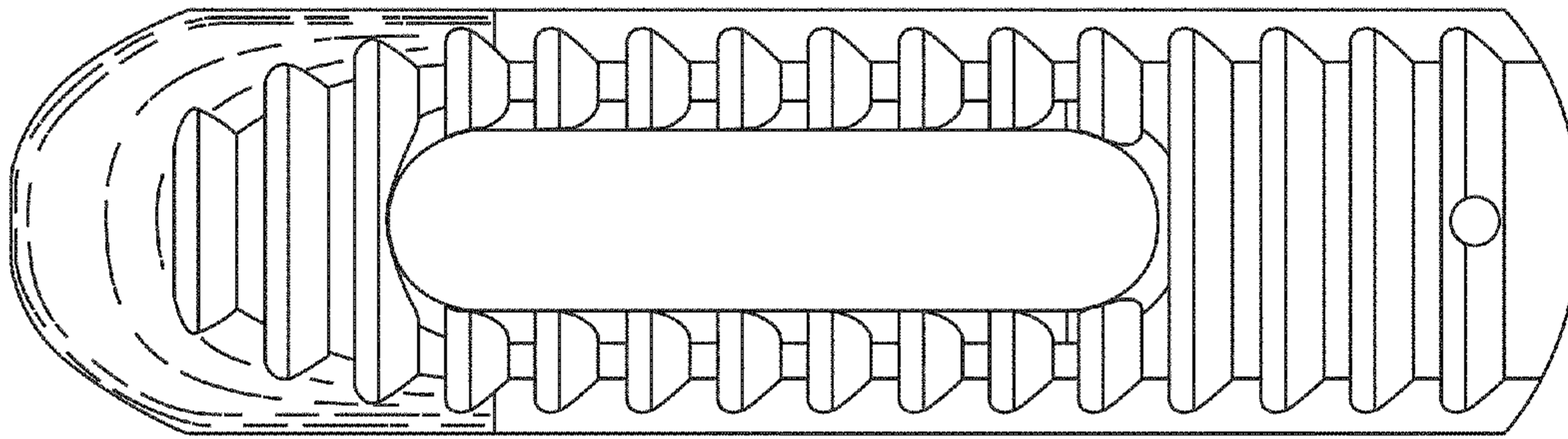


Fig. 3

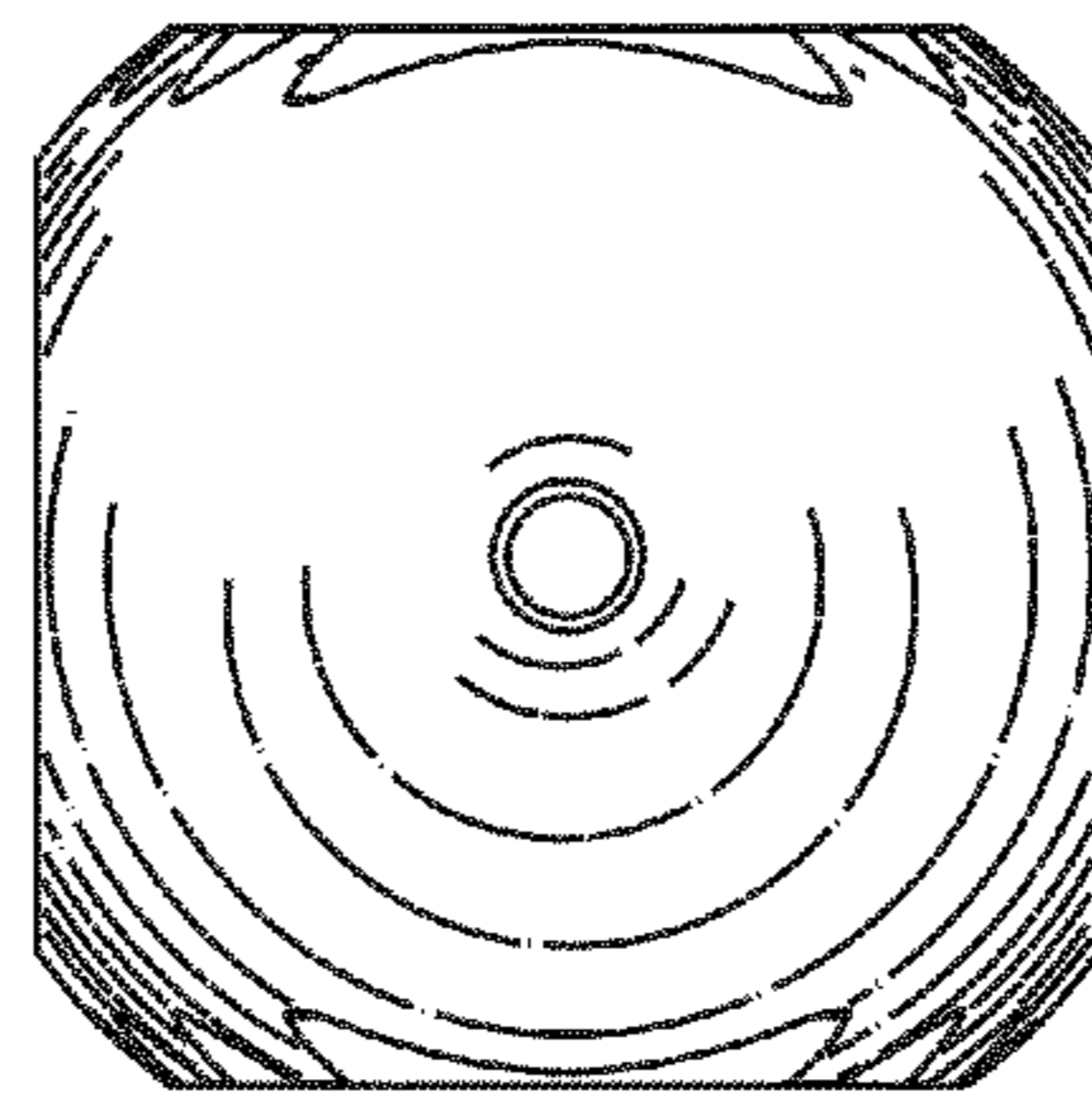


Fig. 4

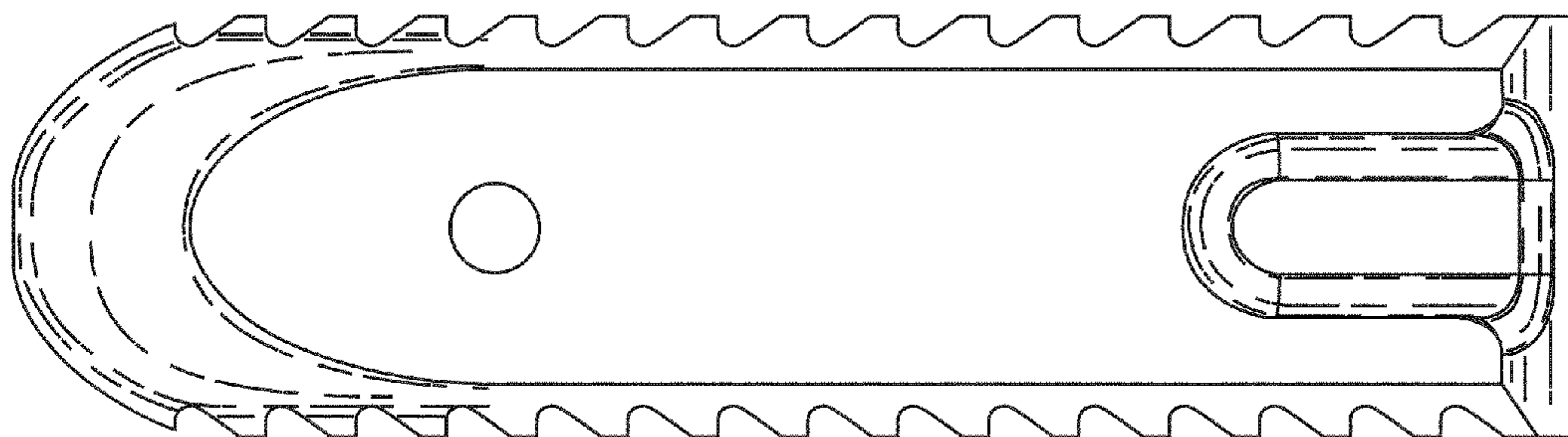


Fig. 5

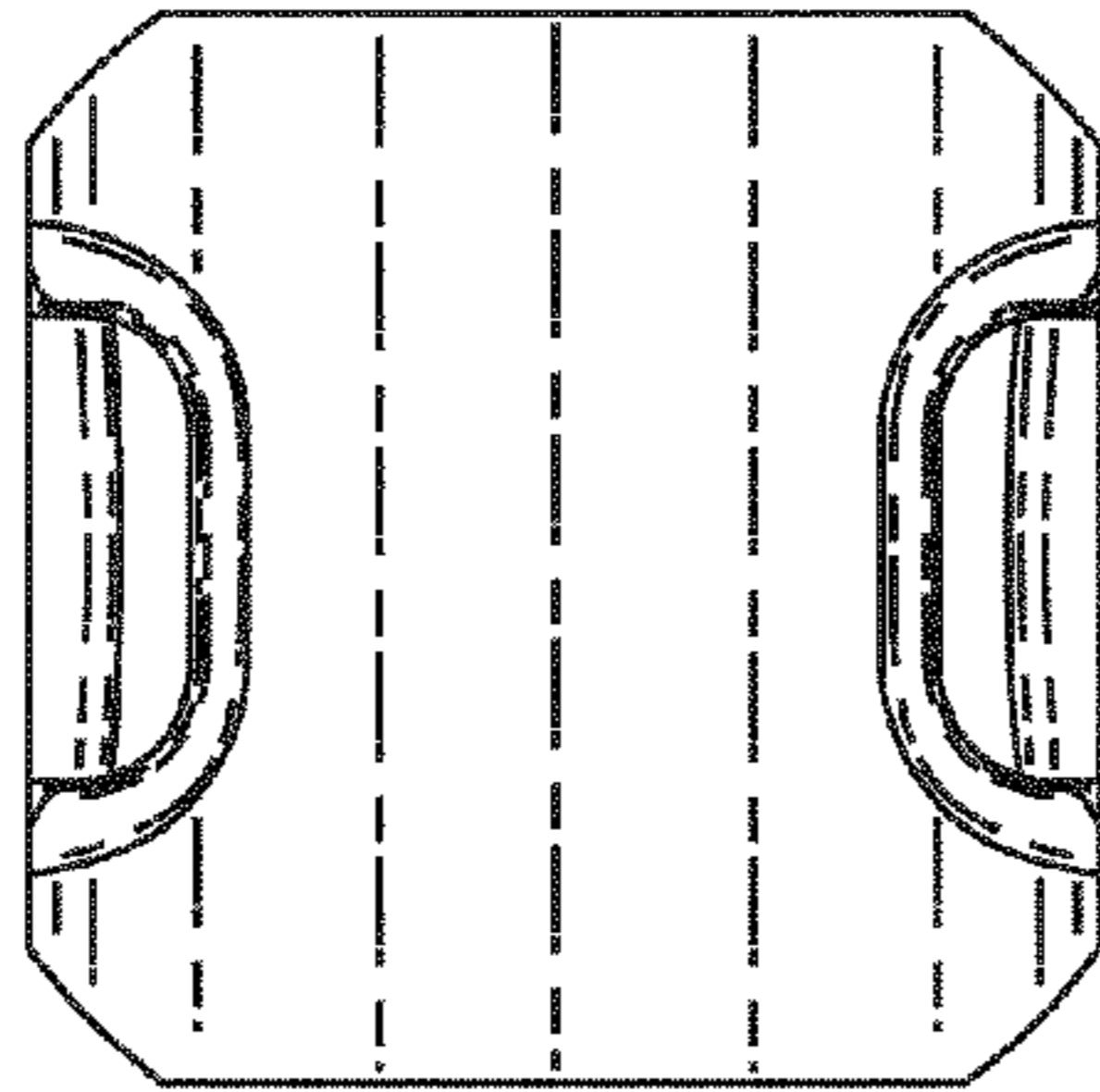


Fig. 6

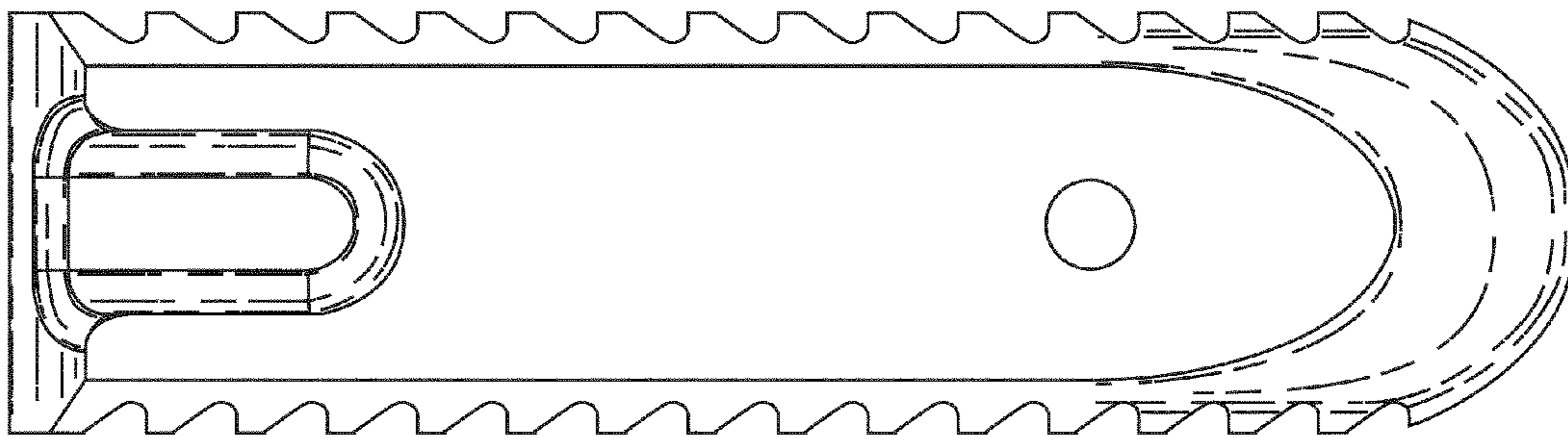


Fig. 7

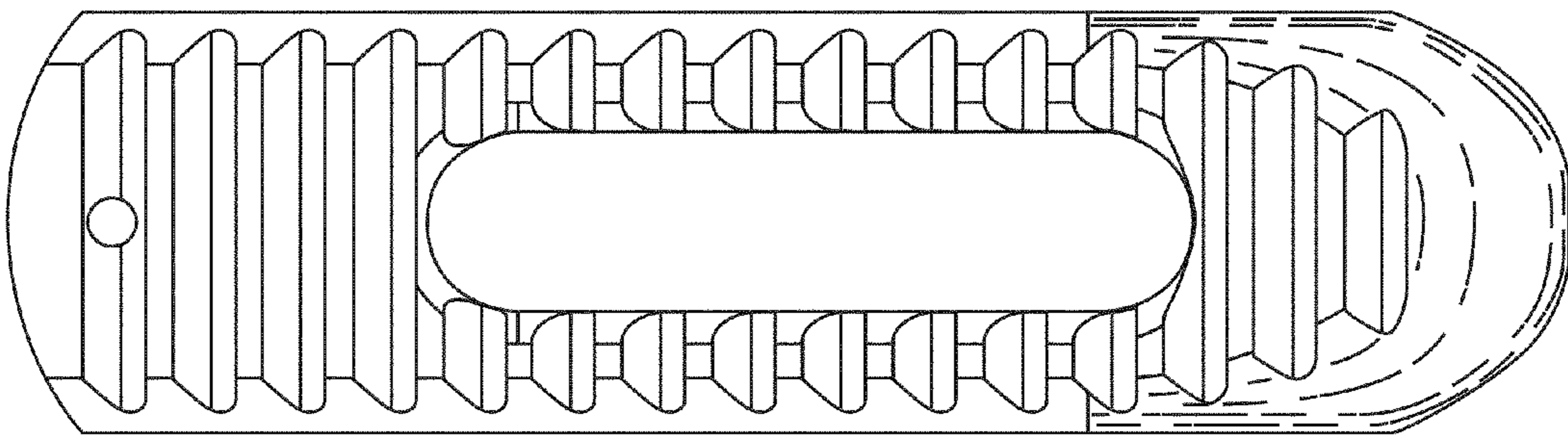


Fig. 8