



US00D653756S

(12) **United States Design Patent**
Courtney et al.

(10) **Patent No.:** **US D653,756 S**
(45) **Date of Patent:** **** *Feb. 7, 2012**

- (54) **INTERBODY FUSION DEVICE IMPLANT**
- (75) Inventors: **Steve Courtney**, Plano, TX (US); **David Freehill**, Temple, TX (US)
- (73) Assignee: **Eminent Spine LLC**, Georgetown, TX (US)
- (*) Notice: This patent is subject to a terminal disclaimer.
- (**) Term: **14 Years**
- (21) Appl. No.: **29/328,827**
- (22) Filed: **Dec. 2, 2008**
- (51) **LOC (9) Cl.** **24-03**
- (52) **U.S. Cl.** **D24/155**
- (58) **Field of Classification Search** D24/155-157; 606/60, 61, 73, 95, 213, 246, 248, 249; 623/23.61, 623/23.56, 247, 213, 11.11, 16.14, 20.23, 623/20.33, 33, 41, 17.11-17.16
See application file for complete search history.

D472,634 S	4/2003	Anderson	
D473,650 S	4/2003	Anderson	
6,676,703 B2 *	1/2004	Biscup	623/17.16
D493,225 S	7/2004	Varga et al.	
D494,274 S	8/2004	Varga et al.	
D501,555 S	2/2005	Varga et al.	
D503,801 S	4/2005	Jackson	
6,964,687 B1 *	11/2005	Bernard et al.	623/17.16
D524,443 S	7/2006	Blain	
D530,423 S *	10/2006	Miles et al.	D24/155
7,141,068 B2 *	11/2006	Ross et al.	623/17.11
D533,277 S	12/2006	Blain	
D539,934 S	4/2007	Blain	
D541,940 S	5/2007	Blain	
7,229,477 B2 *	6/2007	Biscup	623/17.11
D553,742 S *	10/2007	Park	D24/155
7,309,358 B2 *	12/2007	Berry et al.	623/17.16
7,458,988 B2 *	12/2008	Trieu et al.	623/17.13
7,641,690 B2 *	1/2010	Abdou	623/17.11

* cited by examiner

Primary Examiner — Ian Simmons
Assistant Examiner — Charles Hanson
(74) *Attorney, Agent, or Firm* — Scott T. Griggs; Griggs Bergen LLP

(56) **References Cited**

U.S. PATENT DOCUMENTS

D213,282 S	1/1969	Ring	
D242,827 S	12/1976	Elliott	
D245,259 S	8/1977	Shen	
D245,920 S	9/1977	Shen	
D248,771 S	8/1978	Groth et al.	
D248,772 S	8/1978	Groth et al.	
D291,003 S	7/1987	Huckstep	
D326,156 S	5/1992	Martinez	
D374,078 S	9/1996	Johnson et al.	
D377,095 S	12/1996	Michelson	
D397,439 S	8/1998	Koros et al.	
D411,009 S	6/1999	Asfora	
6,245,108 B1 *	6/2001	Biscup	623/17.11
D450,121 S	11/2001	Anderson	
D458,373 S	6/2002	Jackson	
D472,633 S	4/2003	Anderson	

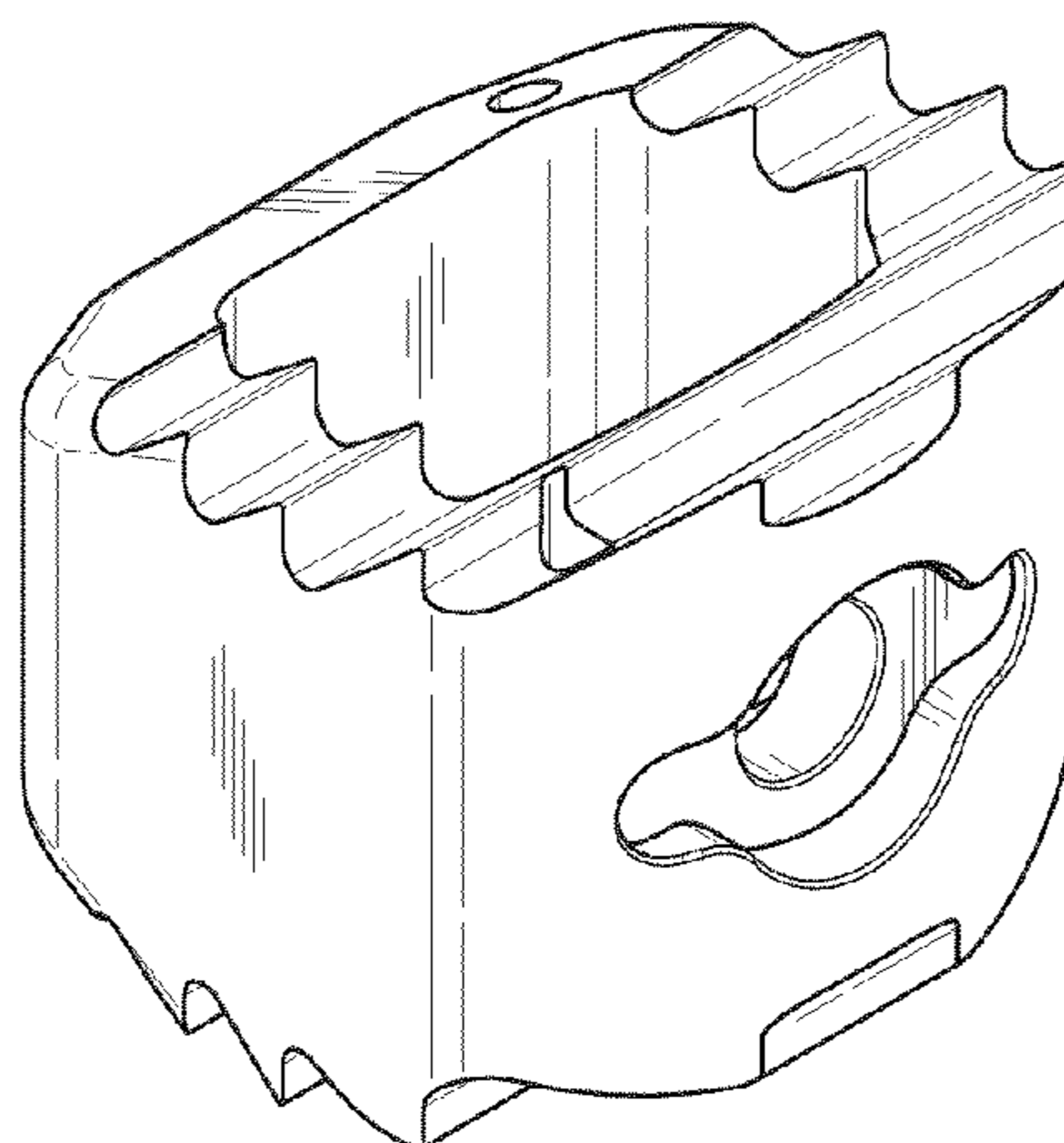
(57) **CLAIM**

The ornamental design for an interbody fusion device implant, as shown and described.

DESCRIPTION

FIG. 1 is a front perspective view of an interbody fusion device implant illustrating the design; FIG. 2 is a bottom perspective view thereof; FIG. 3 is a front elevation view thereof; FIG. 4 is a rear elevation view thereof; FIG. 5 is a left-side elevation view thereof; FIG. 6 is a right-side elevation view thereof; FIG. 7 is a top plan view thereof; and, FIG. 8 is a bottom plan view thereof.

1 Claim, 4 Drawing Sheets



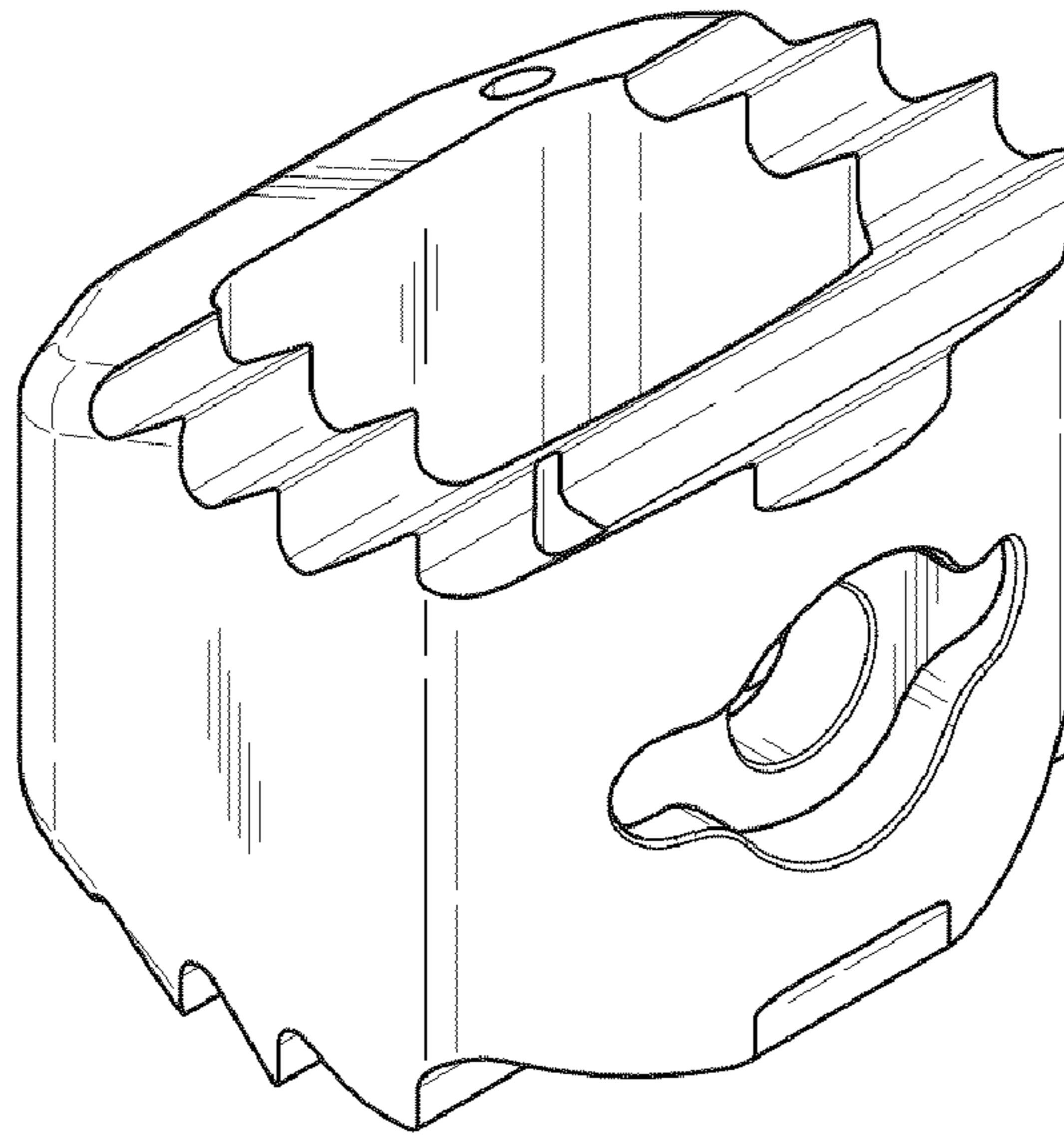


FIG. 1

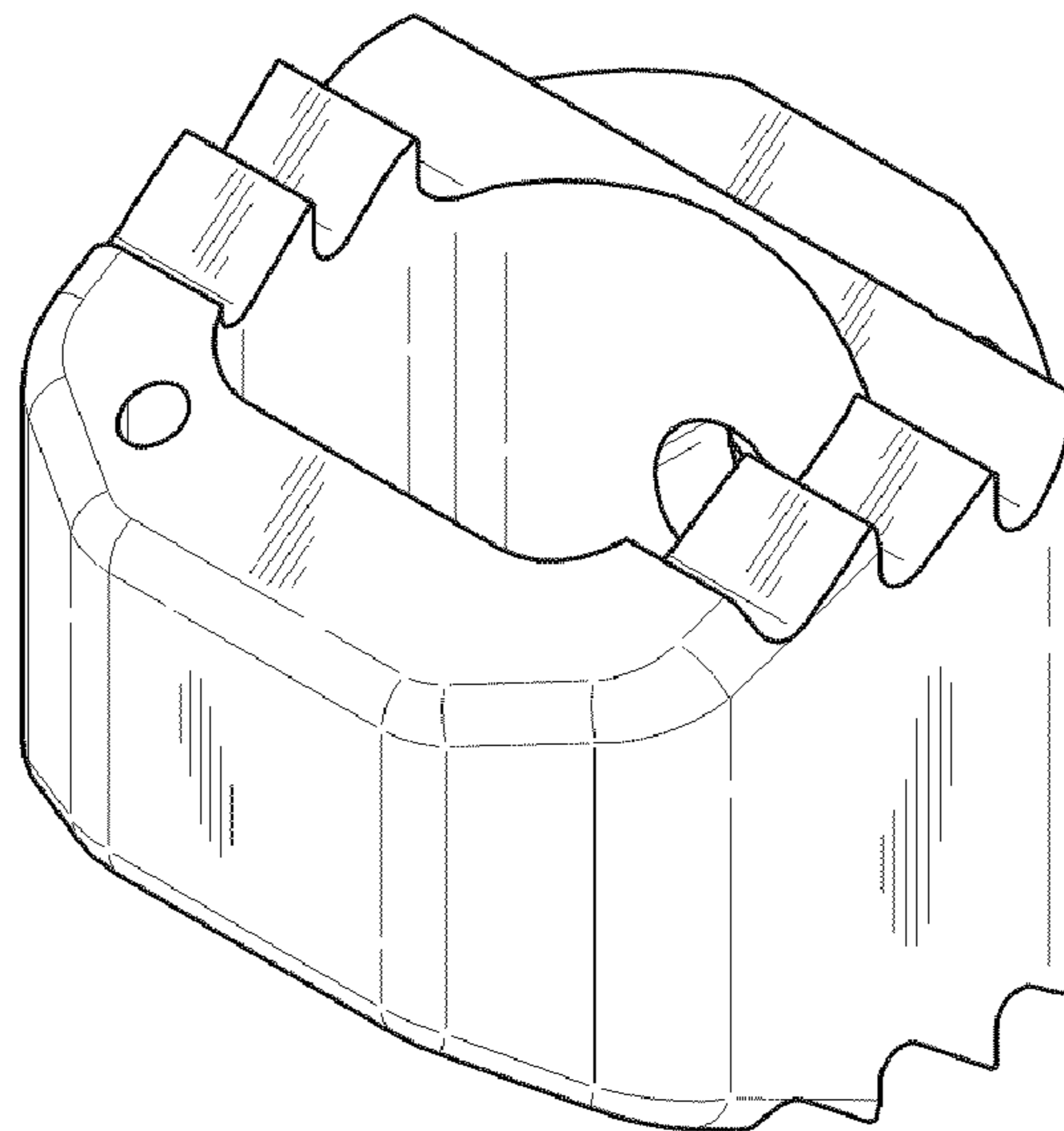


FIG. 2

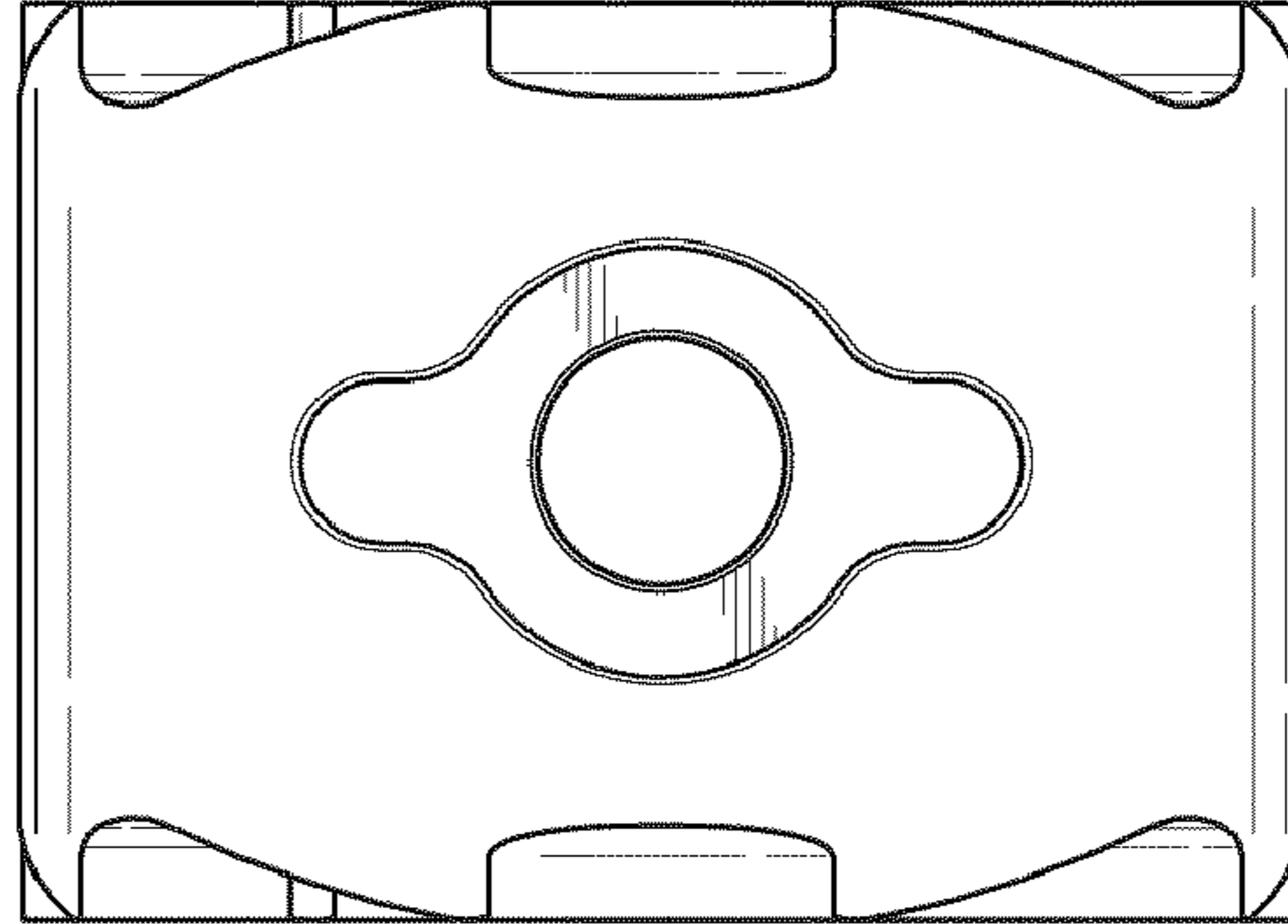


FIG. 3

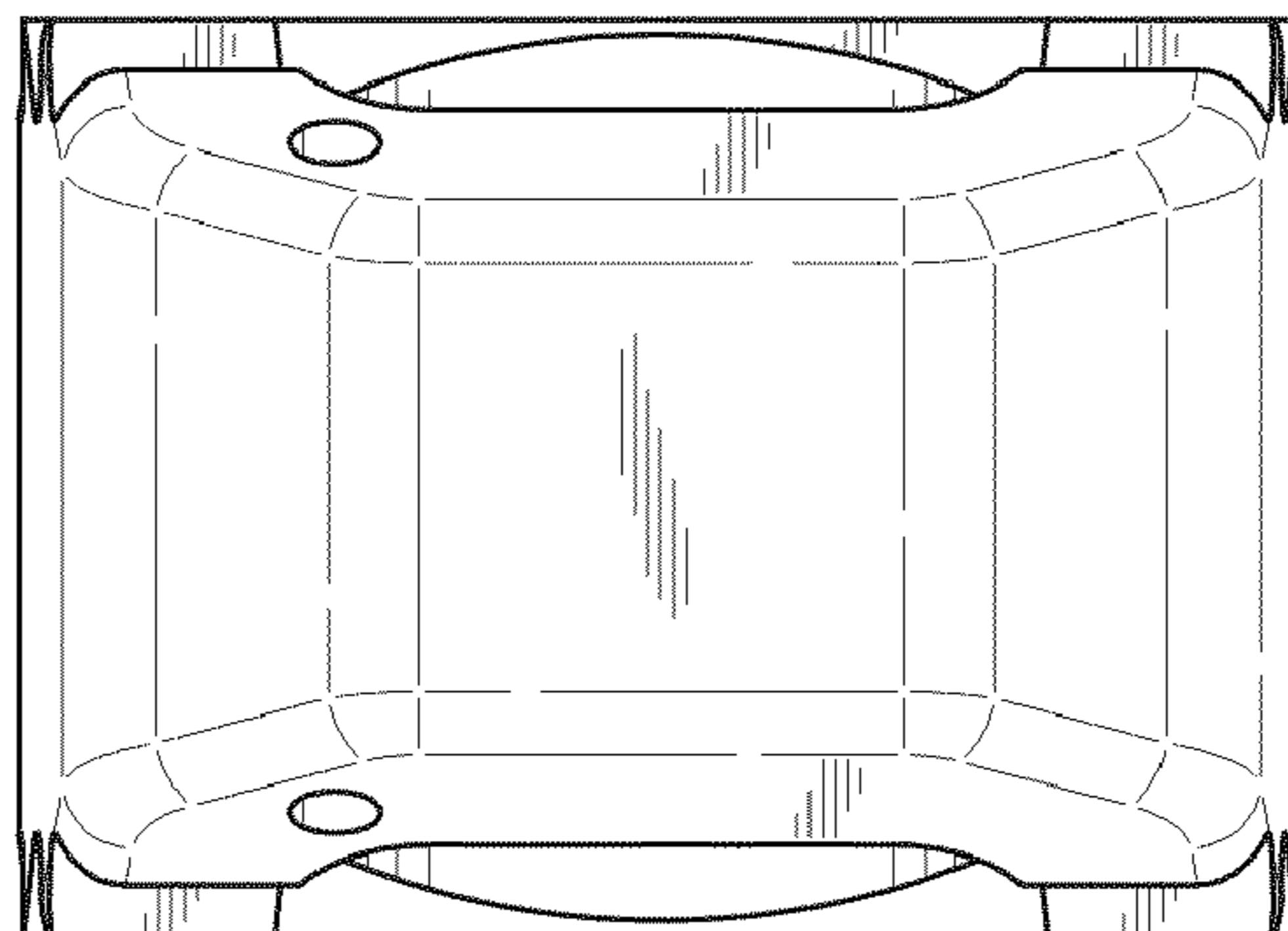


FIG. 4

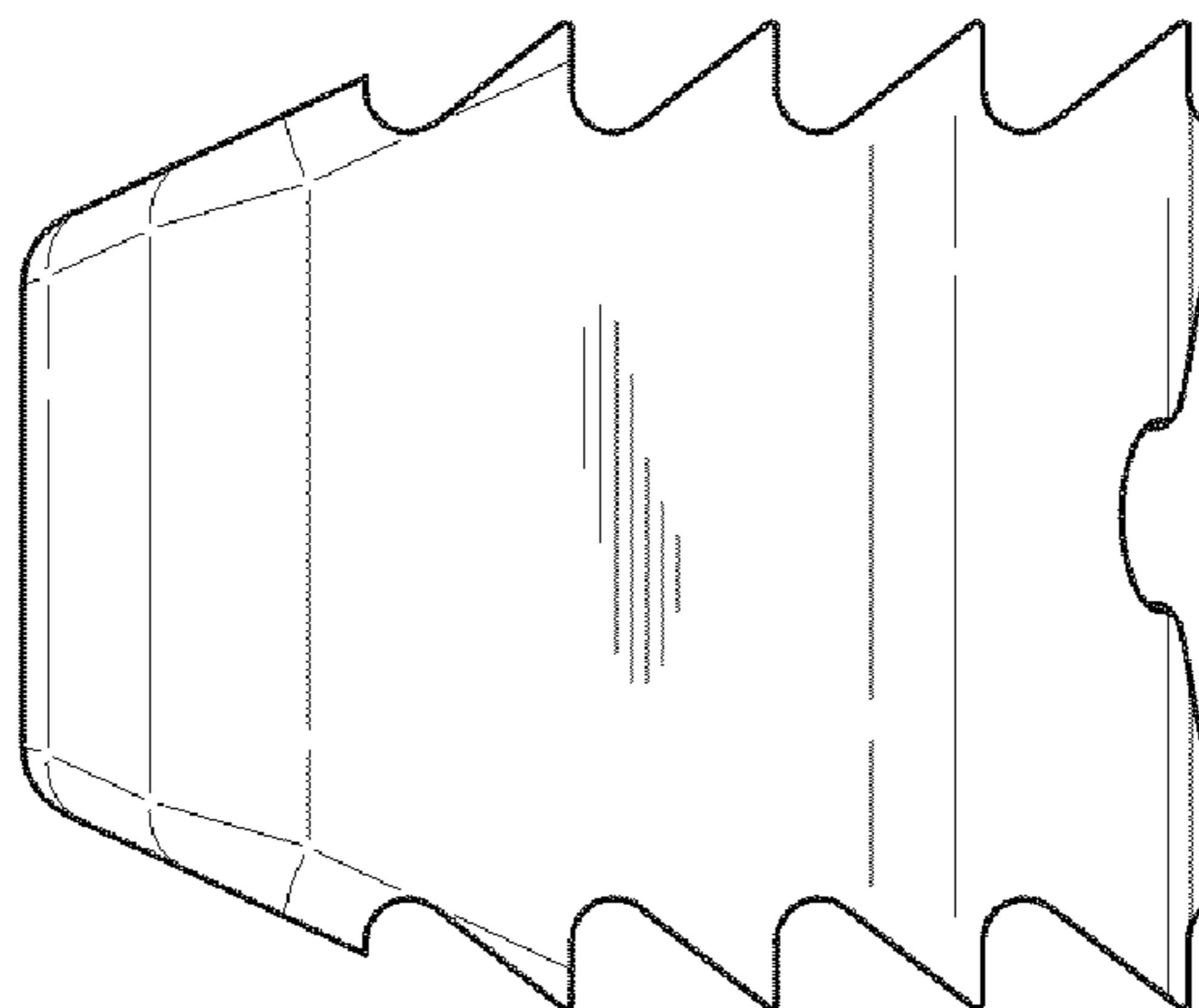


FIG. 5

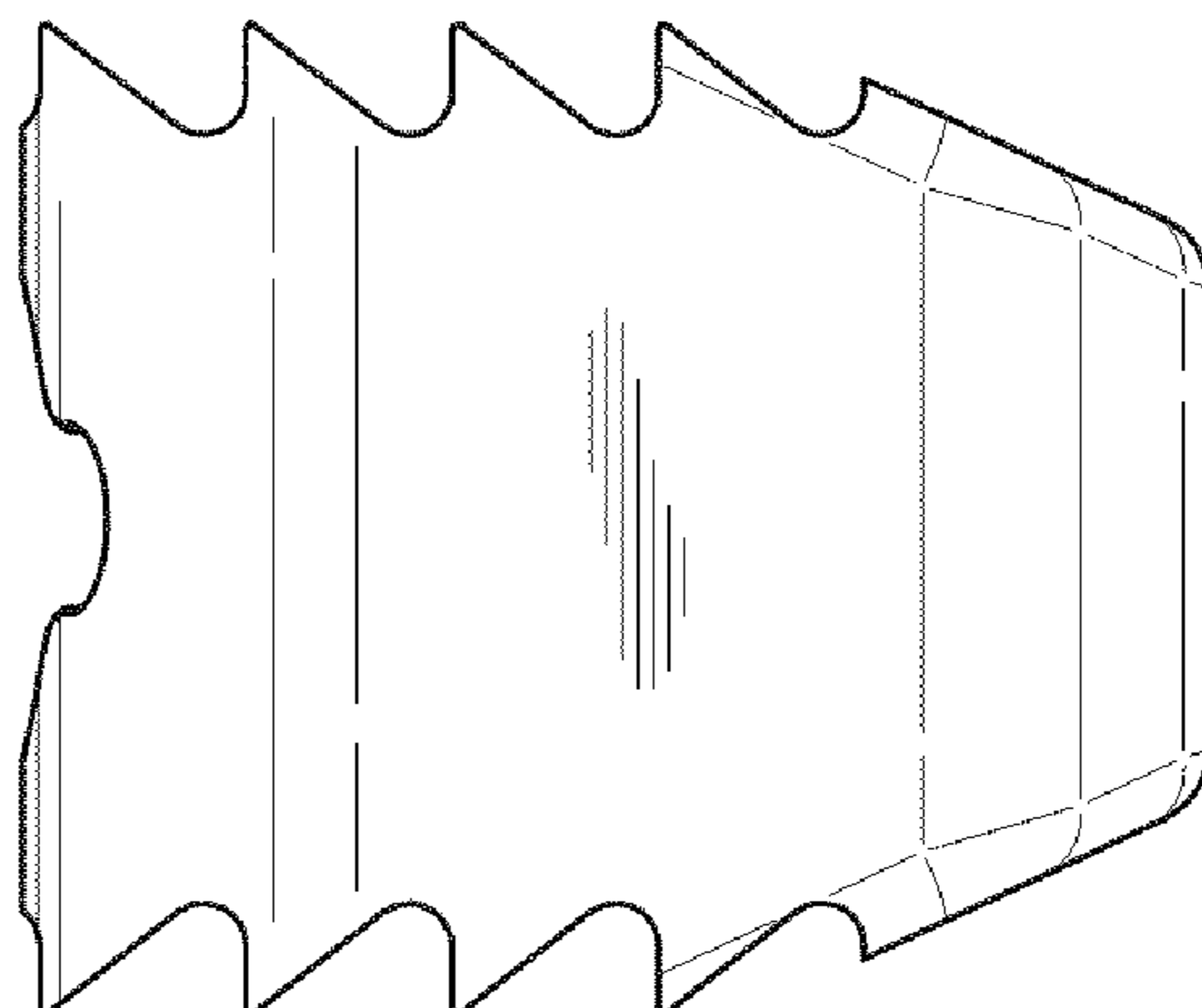


FIG. 6

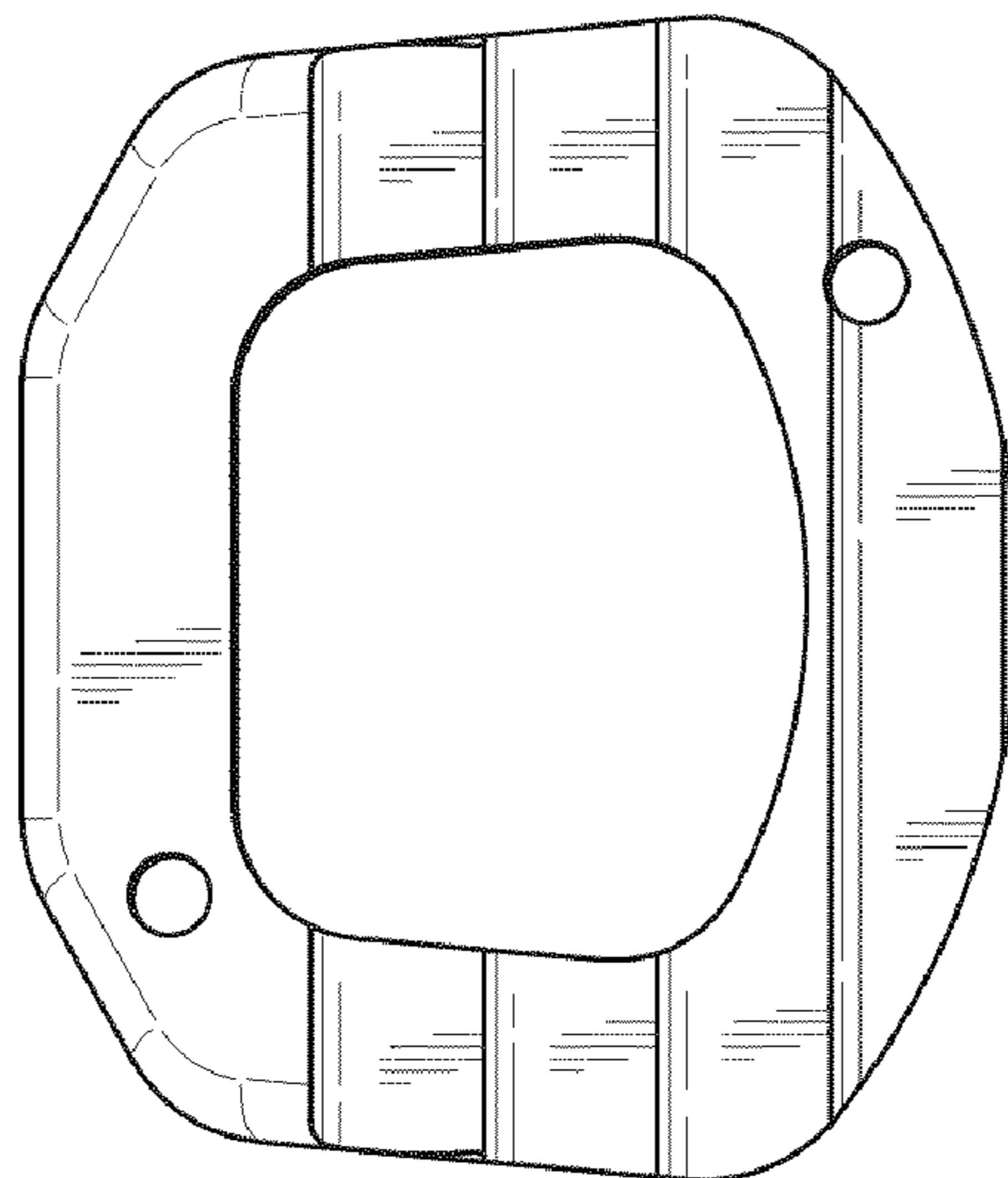


FIG. 7

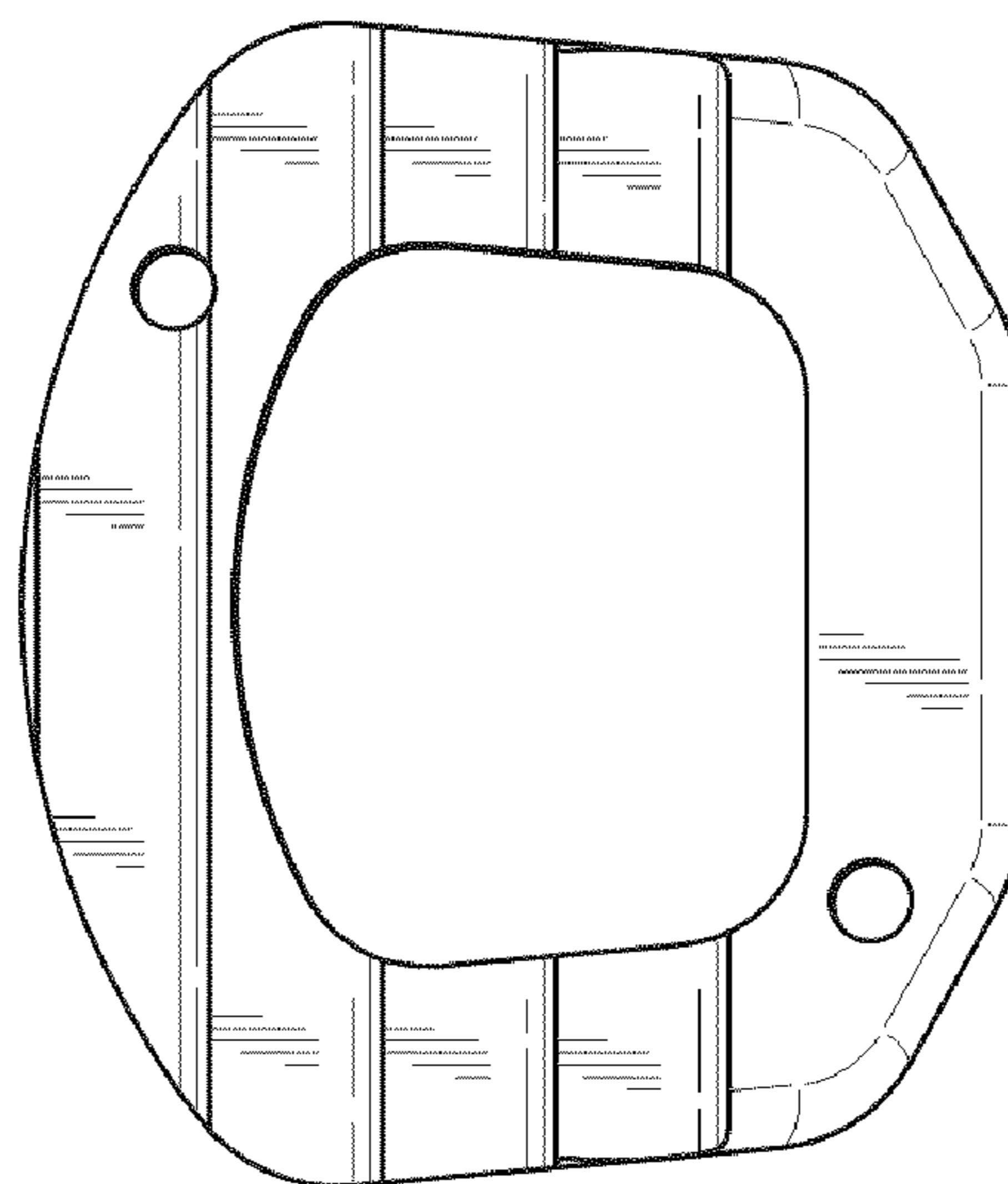


FIG. 8