



US00D653755S

(12) **United States Design Patent**  
**Takiguchi et al.**

(10) **Patent No.:** **US D653,755 S**

(45) **Date of Patent:** **\*\* Feb. 7, 2012**

(54) **DENTAL HANDPIECE**

(75) Inventors: **Toshiya Takiguchi**, Kanuma (JP);  
**Takeshi Kagawa**, Kanuma (JP)

(73) Assignee: **Nakanishi Inc.**, Kanuma-shi (JP)

(\*\*) Term: **14 Years**

(21) Appl. No.: **29/381,507**

(22) Filed: **Dec. 20, 2010**

(51) **LOC (9) Cl.** ..... **24-03**

(52) **U.S. Cl.** ..... **D24/152**

(58) **Field of Classification Search** ..... D24/107,  
D24/133, 146, 152, 154-156, 176, 180; 433/3,  
433/29, 80, 82, 88, 114, 116, 124, 126, 173,  
433/174, 229

See application file for complete search history.

(56) **References Cited**

**U.S. PATENT DOCUMENTS**

3,364,576	A *	1/1968	Kern, Jr.	433/82
D239,390	S *	3/1976	Webb	D24/146
D241,550	S *	9/1976	Morin	D24/146
D251,304	S *	3/1979	Leonard	D24/146
D257,284	S *	10/1980	Leonard	D24/146
D261,032	S *	9/1981	Marucci et al.	D24/146
D378,412	S *	3/1997	Badoz et al.	D24/152
5,897,317	A *	4/1999	Hansen	433/126

5,984,654	A *	11/1999	Mendoza et al.	433/132
D427,682	S *	7/2000	Novak	D24/152
D463,556	S *	9/2002	Bareth et al.	D24/152
6,676,374	B2 *	1/2004	Hashimoto et al.	433/132
D499,486	S *	12/2004	Kuhn et al.	D24/152
D550,358	S *	9/2007	Nakanishi	D24/146
D556,323	S *	11/2007	Nakanishi	D24/146

\* cited by examiner

*Primary Examiner* — Wan Laymon

(74) *Attorney, Agent, or Firm* — Jason D. Voight

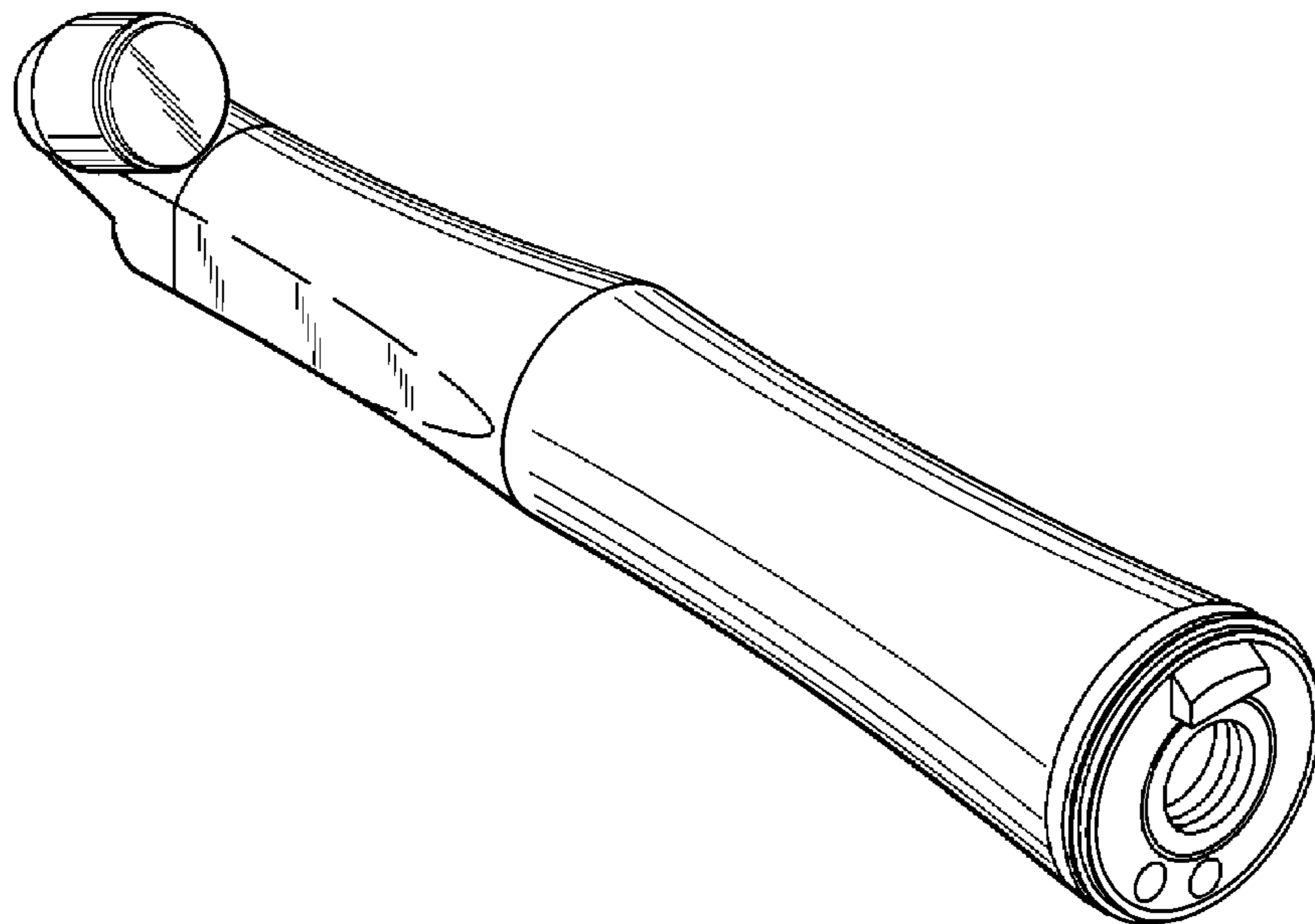
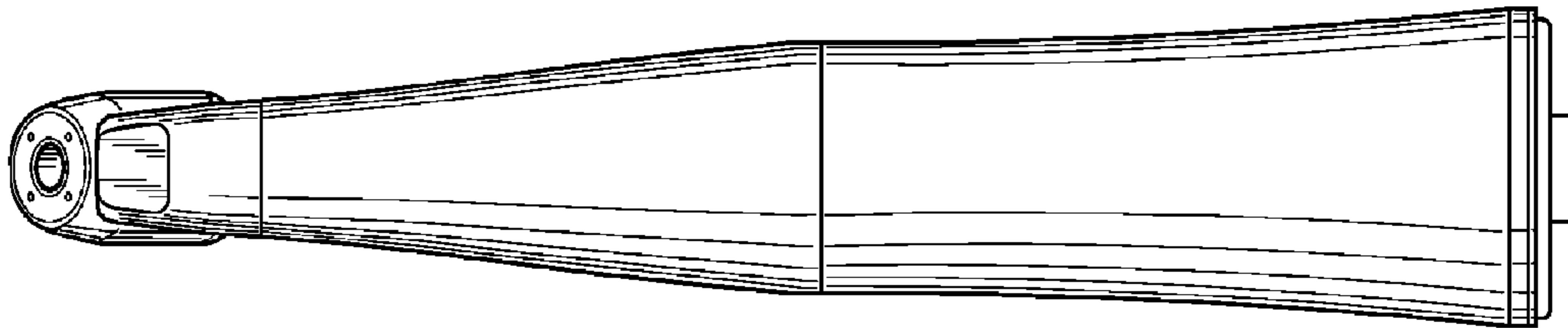
(57) **CLAIM**

The ornamental design for dental handpiece, as shown and described.

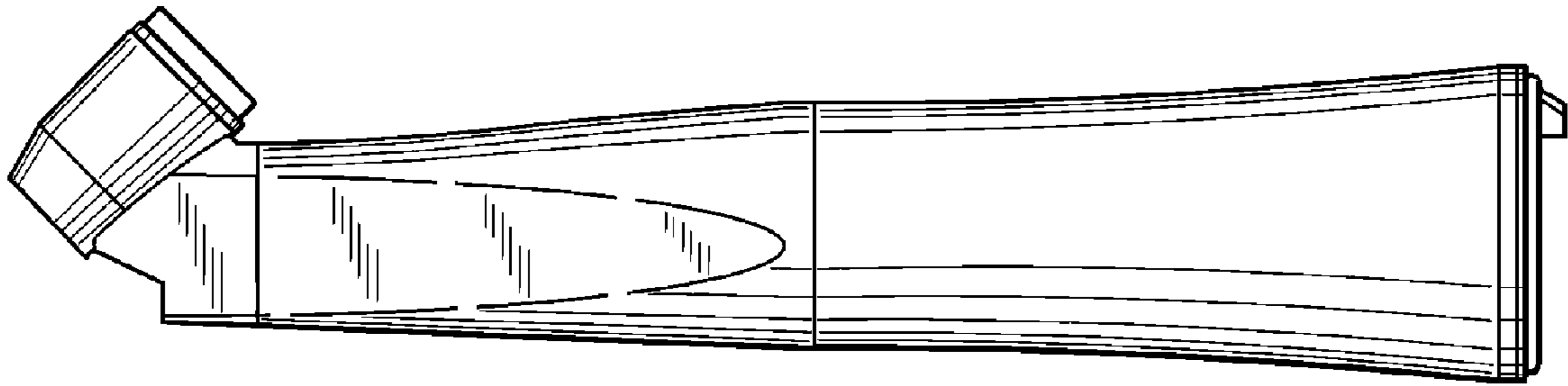
**DESCRIPTION**

FIG. 1 is a front elevation of a dental handpiece;  
FIG. 2 is a left side elevation thereof;  
FIG. 3 is a right side elevation thereof;  
FIG. 4 is a top plan view thereof;  
FIG. 5 is a bottom plan view thereof;  
FIG. 6 is a perspective view from upper left side thereof; and,  
FIG. 7 is a perspective view from upper right side thereof.  
The rear elevation is omitted because it is represented symmetrically to the front elevation.  
Portions of the dental handpiece shown in broken lines form no part of the claimed design.

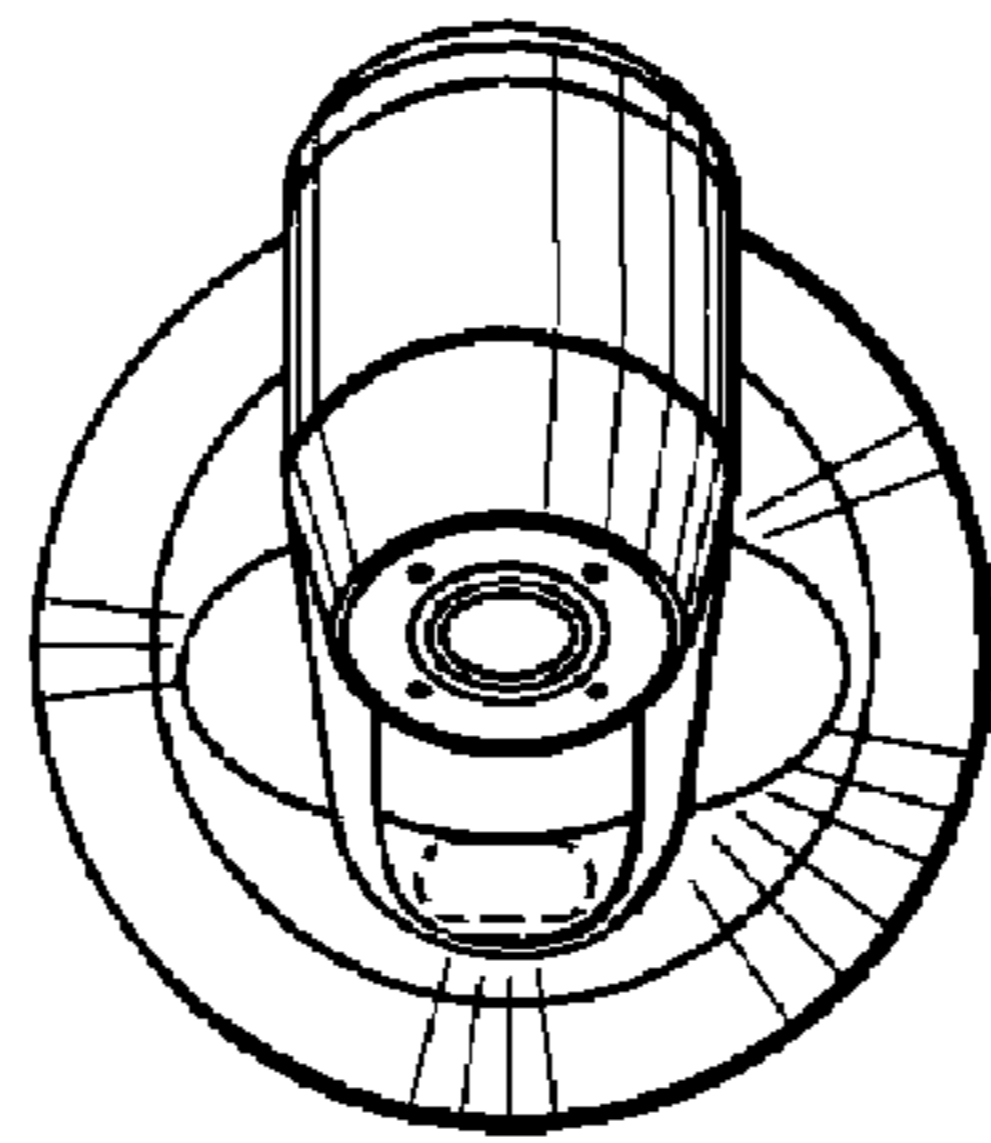
**1 Claim, 3 Drawing Sheets**



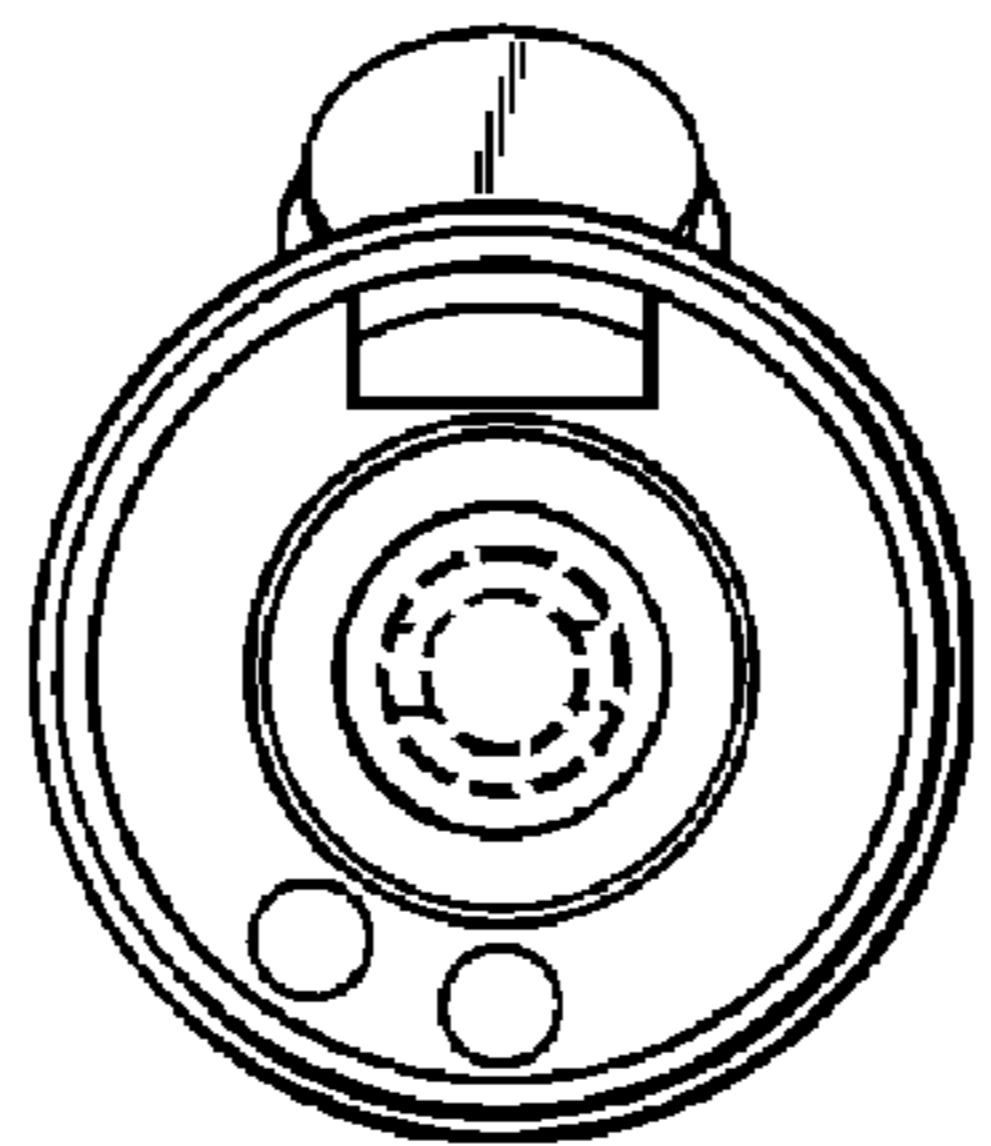
**FIG. 1**



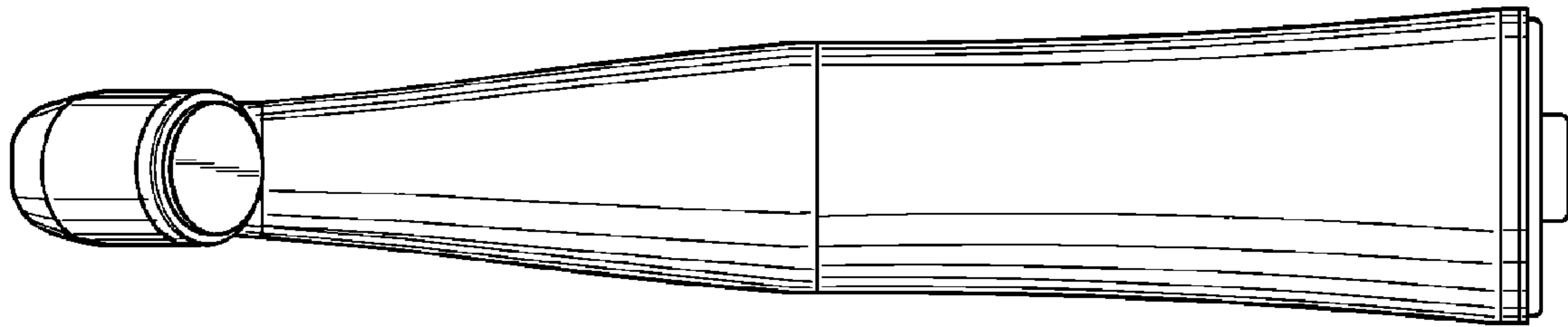
**FIG. 2**



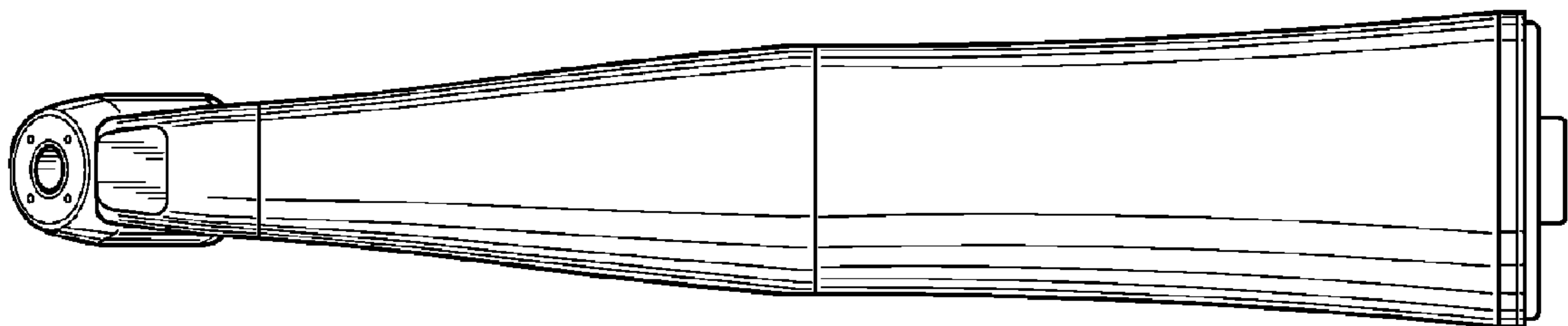
**FIG. 3**



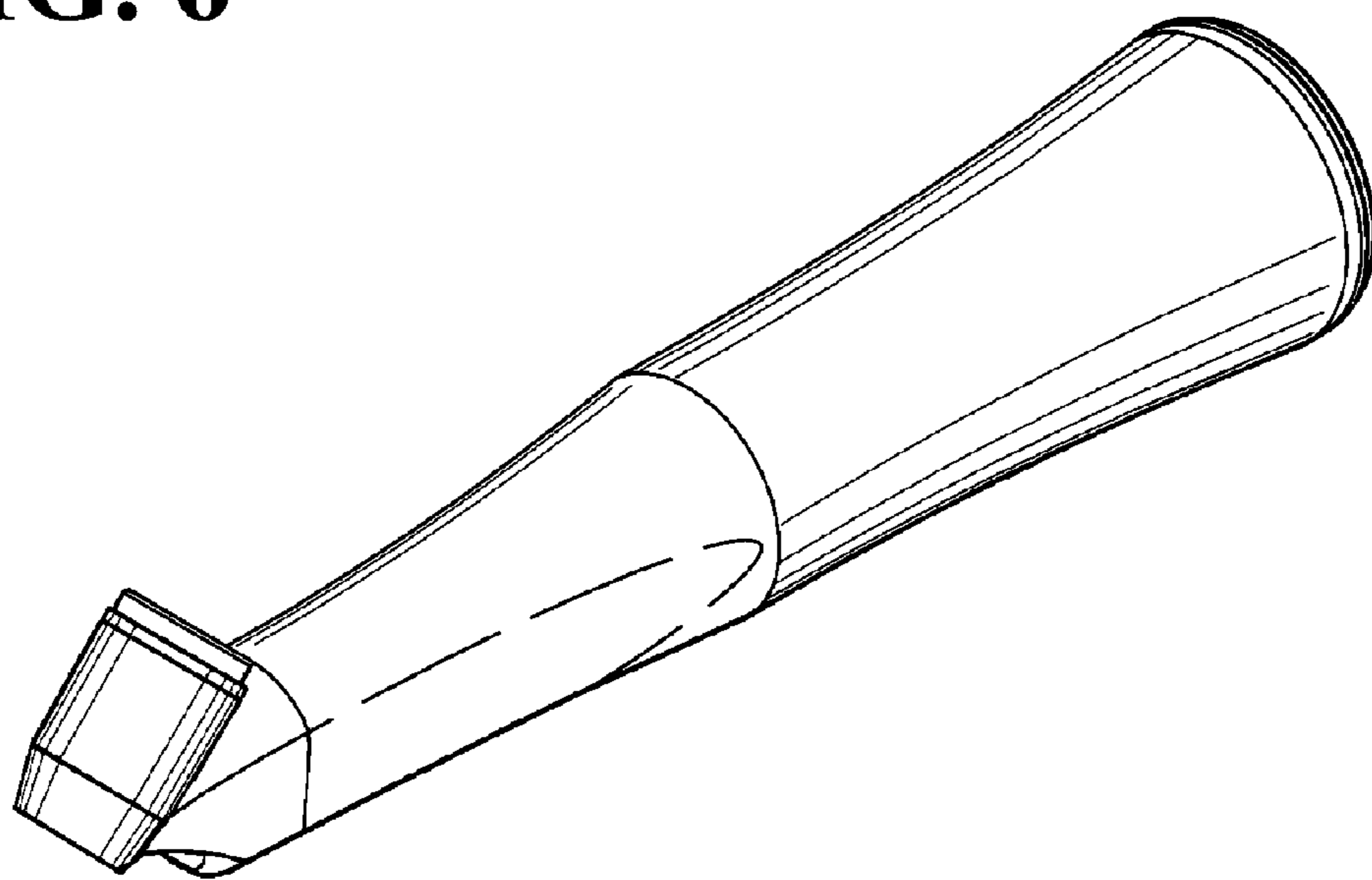
**FIG. 4**



**FIG. 5**



**FIG. 6**



**FIG. 7**

