



US00D653749S

(12) **United States Design Patent**  
**Winter et al.**

(10) **Patent No.:** **US D653,749 S**  
(45) **Date of Patent:** **\*\* Feb. 7, 2012**

(54) **EXHALATION MODULE FILTER BODY**

5,255,675 A 10/1993 Kolobow  
5,259,373 A 11/1993 Gruenke et al.  
5,269,293 A 12/1993 Löser et al.  
5,277,175 A 1/1994 Riggs et al.  
5,299,568 A 4/1994 Forare et al.

(75) Inventors: **David Phillip Winter**, Encinitas, CA  
(US); **Warren G. Sanborn**, Escondido,  
CA (US)

(Continued)

(73) Assignee: **Nellcor Puritan Bennett LLC**, Boulder,  
CO (US)

**FOREIGN PATENT DOCUMENTS**

EP 0459647 12/1991

(Continued)

(\*\*) Term: **14 Years**

(21) Appl. No.: **29/360,553**

**OTHER PUBLICATIONS**

(22) Filed: **Apr. 27, 2010**

Cairo et al., "Mosby's Respiratory Care Equipment, Seventh Edition", Mosby, US, XP002524651, 2004, pp. 360-361 and 775-778.

(51) **LOC (9) Cl.** ..... **29-02**

(Continued)

(52) **U.S. Cl.** ..... **D24/110.6**

(58) **Field of Classification Search** ..... D24/110.6;  
128/202.26, 203.12, 204.18, 204.22, 205.12,  
128/205.18, 205.24, 205.27; 600/529, 532;  
250/338.5, 343

See application file for complete search history.

*Primary Examiner* — Ian Simmons  
*Assistant Examiner* — Christopher Lee

(57) **CLAIM**

The ornamental design for an exhalation module filter body,  
as shown and described.

(56) **References Cited**

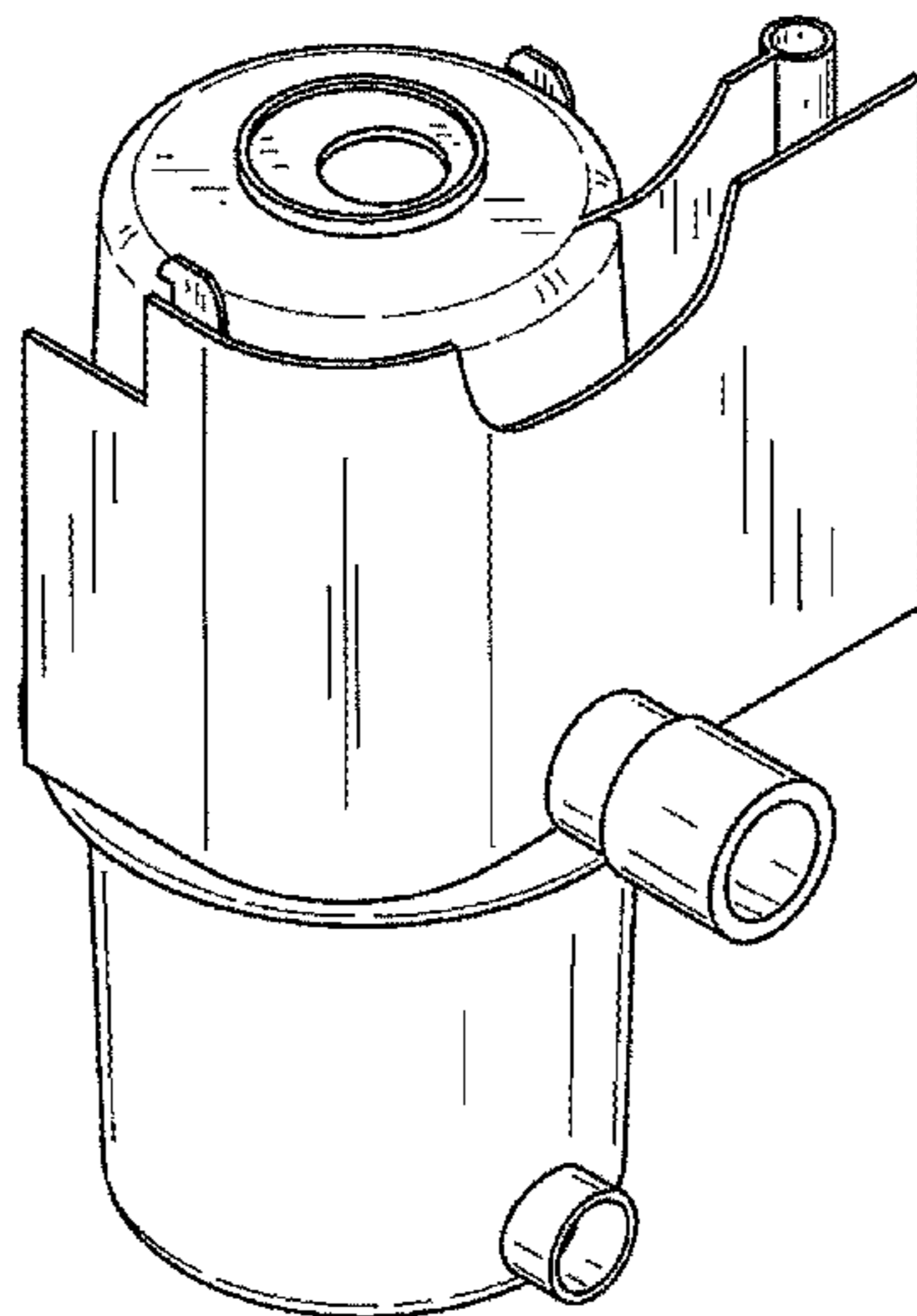
**DESCRIPTION**

**U.S. PATENT DOCUMENTS**

4,527,557 A 7/1985 DeVries et al.  
D300,271 S \* 3/1989 Rudolph et al. .... D24/110.6  
D300,272 S \* 3/1989 Rudolph et al. .... D24/110.6  
D300,273 S \* 3/1989 Rudolph et al. .... D24/110.6  
D305,165 S \* 12/1989 Rudolph et al. .... D24/110.6  
4,957,107 A 9/1990 Sipin  
4,991,576 A 2/1991 Henkin et al.  
4,993,269 A 2/1991 Guillaume et al.  
5,000,173 A 3/1991 Zalkin et al.  
5,038,621 A 8/1991 Stupecky  
5,109,838 A 5/1992 Elam  
5,127,400 A 7/1992 DeVries et al.  
5,134,995 A 8/1992 Gruenke et al.  
5,146,092 A 9/1992 Apperson et al.  
5,153,436 A 10/1992 Apperson et al.  
5,161,525 A 11/1992 Kimm et al.  
5,168,868 A 12/1992 Hicks  
5,178,155 A 1/1993 Mault  
5,237,987 A 8/1993 Anderson et al.

FIG. 1 is a perspective view of a exhalation module filter body showing a new design.  
FIG. 2 is a front view of a exhalation module filter body showing a new design.  
FIG. 3 is a back view of a exhalation module filter body showing a new design.  
FIG. 4 is a right side view of a exhalation module filter body showing a new design.  
FIG. 5 is a left side view of a exhalation module filter body showing a new design.  
FIG. 6 is a top view of a exhalation module filter body showing a new design; and,  
FIG. 7 is a bottom view of a exhalation module filter body showing a new design.

**1 Claim, 7 Drawing Sheets**



# US D653,749 S

Page 2

U.S. PATENT DOCUMENTS						
5,301,667	A	4/1994	McGrail et al.	6,217,524	B1 4/2001 Orr et al.	
5,309,901	A	5/1994	Beaussant	6,227,196	B1 5/2001 Jaffe et al.	
5,316,009	A	5/1994	Yamada et al.	6,287,264	B1 9/2001 Hoffman	
5,331,995	A	7/1994	Westfall et al.	6,295,330	B1 9/2001 Skog et al.	
5,339,807	A	8/1994	Carter	6,295,985	B1 10/2001 Kock et al.	
5,343,858	A	9/1994	Winefordner et al.	6,306,098	B1 10/2001 Orr et al.	
5,368,021	A	11/1994	Beard et al.	6,308,706	B1 10/2001 Lammers et al.	
5,369,277	A	11/1994	Knodle et al.	6,309,360	B1 10/2001 Mault	
5,383,449	A	1/1995	Forare et al.	6,312,389	B1 11/2001 Kofoed et al.	
5,390,666	A	2/1995	Kimm et al.	6,325,978	B1 12/2001 Labuda et al.	
5,398,677	A	3/1995	Smith	6,349,922	B1 2/2002 Rydin	
D357,532	S *	4/1995	McCulloch ..... D24/110.6	6,358,215	B1 3/2002 Ricciardelli	
5,452,714	A	9/1995	Anderson et al.	6,371,113	B1 4/2002 Tobia et al.	
5,467,766	A	11/1995	Ansite et al.	6,390,091	B1 5/2002 Banner et al.	
5,494,028	A	2/1996	DeVries et al.	6,394,962	B1 5/2002 Gama De Abreu et al.	
5,497,767	A	3/1996	Olsson et al.	6,402,697	B1 6/2002 Calkins et al.	
5,503,140	A	4/1996	Winefordner et al.	6,408,848	B1 6/2002 Feldman et al.	
5,517,983	A	5/1996	Deighan et al.	6,412,483	B1 7/2002 Jones et al.	
5,524,615	A	6/1996	Power	6,415,788	B1 7/2002 Clawson et al.	
5,540,220	A	7/1996	Gropper et al.	6,419,634	B1 7/2002 Gaston, IV et al.	
5,542,416	A	8/1996	Chalvignac	6,457,472	B1 10/2002 Schwartz et al.	
5,546,935	A	8/1996	Champeau	6,471,658	B1 10/2002 Daniels et al.	
5,549,106	A	8/1996	Gruenke et al.	6,523,537	B1 2/2003 Mas Marfany	
5,568,910	A	10/1996	Koehler et al.	6,523,538	B1 2/2003 Wikefeldt	
5,575,283	A	11/1996	Sjostrand	6,526,970	B2 3/2003 DeVries et al.	
5,606,968	A	3/1997	Mang	6,532,960	B1 3/2003 Yurko	
5,616,923	A	4/1997	Rich et al.	6,540,689	B1 4/2003 Orr et al.	
5,617,847	A	4/1997	Howe	6,543,449	B1 4/2003 Woodring et al.	
5,632,270	A	5/1997	O'Mahony et al.	6,550,479	B1 4/2003 Duxbury	
5,657,750	A	8/1997	Colman et al.	6,557,553	B1 5/2003 Borrello	
5,660,171	A	8/1997	Kimm et al.	6,557,554	B1 5/2003 Sugiura	
5,662,099	A	9/1997	Tobia et al.	6,564,798	B1 5/2003 Jalde	
5,678,537	A	10/1997	Bathe et al.	6,572,561	B2 6/2003 Mault	
5,692,497	A	12/1997	Schnitzer et al.	6,575,164	B1 6/2003 Jaffe et al.	
5,693,944	A	12/1997	Rich	6,575,165	B1 6/2003 Cook et al.	
5,697,363	A	12/1997	Hart	6,575,918	B2 6/2003 Kline	
5,701,883	A	12/1997	Hete et al.	6,584,973	B1 7/2003 Biondi et al.	
5,701,889	A	12/1997	Danon	6,606,994	B1 8/2003 Clark	
5,771,884	A	6/1998	Yarnall et al.	6,616,615	B2 9/2003 Mault	
5,789,660	A	8/1998	Kofoed et al.	6,616,896	B2 9/2003 Labuda et al.	
5,794,614	A	8/1998	Gruenke et al.	6,619,289	B1 9/2003 Mashak	
5,797,393	A	8/1998	Kohl	6,622,725	B1 9/2003 Fisher et al.	
5,803,064	A	9/1998	Phelps et al.	6,629,934	B2 10/2003 Mault et al.	
5,813,399	A	9/1998	Isaza et al.	6,631,716	B1 10/2003 Robinson et al.	
5,823,179	A	10/1998	Grychowski et al.	6,648,831	B2 11/2003 Orr et al.	
5,826,575	A	10/1998	Lall	6,648,832	B2 11/2003 Orr et al.	
5,845,636	A	12/1998	Gruenke et al.	6,659,962	B2 12/2003 Ricciardelli	
5,857,458	A	1/1999	Tham et al.	6,668,824	B1 12/2003 Isaza et al.	
5,868,133	A	2/1999	DeVries et al.	6,691,702	B2 *	2/2004 Appel et al. .... 128/202.26
5,875,783	A	3/1999	Kullik	6,722,359	B2	4/2004 Chalvignac
5,876,352	A	3/1999	Weismann	6,723,055	B2	4/2004 Hoffman
5,881,717	A	3/1999	Isaza	6,729,331	B2	5/2004 Kay
5,881,722	A	3/1999	DeVries et al.	6,739,334	B2	5/2004 Valeij
5,906,204	A	5/1999	Beran et al.	6,763,829	B2	7/2004 Jaffe et al.
5,918,597	A	7/1999	Jones et al.	6,772,762	B2	8/2004 Piesinger
5,937,856	A	8/1999	Jonasson et al.	6,805,121	B1	10/2004 Flood et al.
5,957,130	A	9/1999	Krahbichler et al.	6,815,211	B1	11/2004 Blazewicz et al.
6,041,777	A	3/2000	Faithfull et al.	6,840,906	B2	1/2005 Gama De Abreu et al.
D429,330	S *	8/2000	Hoening ..... D24/110.6	6,877,511	B2	4/2005 DeVries et al.
6,095,139	A	8/2000	Psaros	6,886,558	B2	5/2005 Tanaka et al.
6,095,140	A	8/2000	Poon et al.	6,896,713	B1	5/2005 Eckerbom et al.
6,099,481	A	8/2000	Daniels et al.	6,908,438	B2	6/2005 Orr et al.
6,102,038	A	8/2000	DeVries	6,938,619	B1	9/2005 Hickle
6,106,480	A	8/2000	Gama De Abreu et al.	6,954,702	B2	10/2005 Pierry et al.
6,116,242	A *	9/2000	Frye et al. .... 128/205.24	6,955,651	B2	10/2005 Kück et al.
6,119,686	A	9/2000	Somerson et al.	6,990,980	B2	1/2006 Richey et al.
6,123,074	A	9/2000	Hete et al.	7,004,168	B2	2/2006 Mace et al.
6,131,571	A	10/2000	Lampotang et al.	D518,172	S *	3/2006 Britten et al. .... D24/110.6
6,135,967	A	10/2000	Fiorenza et al.	7,018,340	B2	3/2006 Jaffe et al.
6,148,814	A	11/2000	Clemmer et al.	7,032,589	B2	4/2006 Kerechanin, II et al.
6,152,132	A	11/2000	Psaros	7,040,315	B1	5/2006 Stromberg
6,152,135	A	11/2000	DeVries et al.	7,040,321	B2	5/2006 Göbel
6,155,986	A	12/2000	Brydon et al.	7,043,979	B2	5/2006 Smith et al.
6,158,432	A	12/2000	Biondi et al.	7,066,175	B2	6/2006 Hamilton et al.
6,176,234	B1	1/2001	Salter et al.	7,066,176	B2	6/2006 Jaffe et al.
6,179,784	B1	1/2001	Daniels et al.	7,074,196	B2	7/2006 Kück et al.
6,192,885	B1	2/2001	Jalde	RE39,225	E	8/2006 Isaza et al.
6,203,502	B1	3/2001	Hilgendorf et al.	7,118,537	B2	10/2006 Baddour
				7,121,277	B2	10/2006 Ström

# US D653,749 S

Page 3

---

7,135,001 B2	11/2006	Orr et al.	2007/0073183 A1	3/2007	Kline
7,152,604 B2	12/2006	Hickle et al.	2007/0095347 A1	5/2007	Lampotang et al.
7,168,597 B1	1/2007	Jones et al.	2007/0107728 A1	5/2007	Ricciardelli et al.
D536,443 S *	2/2007	Latsos ..... D24/110.6	2007/0113854 A1	5/2007	Mcauliffe
7,183,552 B2	2/2007	Russell	2007/0125377 A1	6/2007	Heinonen et al.
7,195,013 B2	3/2007	Lurie	2007/0142716 A1	6/2007	Biondi
7,210,478 B2	5/2007	Banner et al.	2007/0144521 A1	6/2007	DeVries et al.
7,222,623 B2	5/2007	DeVries et al.	2007/0144523 A1	6/2007	Bolam et al.
7,241,269 B2	7/2007	McCawley et al.	2007/0149891 A1	6/2007	George et al.
7,275,540 B2	10/2007	Bolam	2007/0157930 A1	7/2007	Soliman et al.
7,291,115 B2	11/2007	Cardona Burrul	2007/0157931 A1	7/2007	Parker et al.
7,291,851 B2	11/2007	DelFavero et al.	2007/0163579 A1	7/2007	Li et al.
7,302,949 B2	12/2007	Pelerossi et al.	2007/0193579 A1	8/2007	Duquette et al.
7,320,321 B2	1/2008	Pranger et al.	2007/0199566 A1	8/2007	Be'eri
7,335,164 B2	2/2008	Mace et al.	2007/0215154 A1	9/2007	Borrello
7,341,563 B2	3/2008	Rich et al.	2007/0225612 A1	9/2007	Mace
7,347,205 B2	3/2008	Levi	2007/0232952 A1	10/2007	Baddour
7,347,825 B2	3/2008	Vaughan et al.	2007/0240718 A1	10/2007	Daly
7,392,806 B2	7/2008	Yuen et al.	2007/0255160 A1	11/2007	Daly
7,427,269 B2	9/2008	George et al.	2007/0272241 A1	11/2007	Sanborn et al.
7,432,508 B2	10/2008	Daniels et al.	2007/0272242 A1	11/2007	Sanborn et al.
7,475,685 B2	1/2009	Dietz et al.	2007/0273887 A1	11/2007	Russell
7,484,508 B2	2/2009	Younes	2007/0282214 A1	12/2007	George et al.
7,509,957 B2	3/2009	Duquette et al.	2008/0000471 A1	1/2008	Bolam et al.
7,525,663 B2	4/2009	Kwok et al.	2008/0009761 A1	1/2008	Acker et al.
7,547,285 B2	6/2009	Kline	2008/0011300 A1	1/2008	Andreix
2001/0029339 A1	10/2001	Orr et al.	2008/0021339 A1	1/2008	Gabriel et al.
2001/0031928 A1	10/2001	Orr et al.	2008/0045825 A1	2/2008	Melker et al.
2002/0026941 A1	3/2002	Bondi et al.	2008/0053438 A1	3/2008	DeVries et al.
2002/0128566 A1	9/2002	Gama De Abreu et al.	2008/0058667 A1	3/2008	Pierry et al.
2002/0138213 A1	9/2002	Mault	2008/0060646 A1	3/2008	Isaza
2003/0047188 A1	3/2003	Mace et al.	2008/0060656 A1	3/2008	Isaza
2003/0062045 A1	4/2003	Woodring et al.	2008/0091117 A1	4/2008	Choncholas et al.
2003/0111078 A1	6/2003	Habashi et al.	2008/0119753 A1	5/2008	Ricciardelli et al.
2003/0140921 A1	7/2003	Smith et al.	2008/0119754 A1	5/2008	Hietala
2003/0191405 A1	10/2003	Rich et al.	2008/0135044 A1	6/2008	Freitag et al.
2004/0003814 A1	1/2004	Banner et al.	2008/0183094 A1	7/2008	Schonfuss et al.
2004/0087867 A1	5/2004	Gama De Abreu et al.	2008/0196720 A1	8/2008	Kollmeyer et al.
2004/0138577 A1	7/2004	Kline	2008/0202517 A1	8/2008	Mitton et al.
2004/0186391 A1	9/2004	Pierry et al.	2008/0202518 A1	8/2008	Mitton et al.
2004/0256560 A1	12/2004	Russell	2008/0214947 A1	9/2008	Hunt et al.
2004/0261793 A1	12/2004	Stromberg et al.	2008/0257349 A1	10/2008	Hedner et al.
2005/0005936 A1	1/2005	Wondka	2009/0107500 A1 *	4/2009	Edwards ..... 128/204.23
2005/0112325 A1	5/2005	Hickle	2009/0235935 A1	9/2009	Pacey
2005/0124907 A1	6/2005	Kuck et al.	2011/0126836 A1 *	6/2011	Winter et al. .... 128/205.12
2005/0139211 A1	6/2005	Alston et al.			
2005/0150494 A1	7/2005	DeVries et al.			
2005/0217671 A1	10/2005	Fisher et al.			
2005/0279358 A1	12/2005	Richey et al.			
2005/0284476 A1	12/2005	Blache et al.			
2005/0285055 A1	12/2005	DelFavero et al.			
2006/0009707 A1	1/2006	Daniels et al.			
2006/0052950 A1	3/2006	Pierry et al.			
2006/0086357 A1	4/2006	Soliman et al.			
2006/0129054 A1	6/2006	Orr et al.			
2006/0130839 A1	6/2006	Bassovich			
2006/0145078 A1	7/2006	Russell			
2006/0201507 A1	9/2006	Breen			
2006/0241508 A1	10/2006	Jaffe et al.			
2006/0243278 A1	11/2006	Hamilton et al.			
2006/0249148 A1	11/2006	Younes			
2006/0249153 A1	11/2006	DeVries et al.			
2006/0253038 A1	11/2006	Kuck et al.			
2006/0278223 A1	12/2006	Younes			
2007/0000494 A1	1/2007	Banner et al.			
2007/0028921 A1	2/2007	Banner et al.			
2007/0044798 A1	3/2007	Levi			
2007/0062531 A1	3/2007	Fisher et al.			
2007/0068518 A1	3/2007	Urias et al.			
2007/0068530 A1	3/2007	Pacey			

FOREIGN PATENT DOCUMENTS		
EP	0850652	7/1998
EP	01205203	9/2004
EP	1189649	6/2005
EP	0965357	3/2007
FR	2695320	3/1994
JP	2002136595 A	5/2002
WO	WO9641571	12/1996
WO	WO9744636	11/1997
WO	WO2007109177	9/2007

OTHER PUBLICATIONS	
International Search Report, PCT/US2009/034363, dated Aug. 5, 2009.	
International Search Report, PCT/US2009/055889, dated Nov. 26, 2009.	
International Search Report, PCT/US2009/059102, dated Nov. 30, 2009.	
Jaffe, Ph.D., Michael B., "Proximal Flow Measurement with the Series 3 Flow Sensors", Respiration, Inc., 2002, pp. 1-4.	

\* cited by examiner

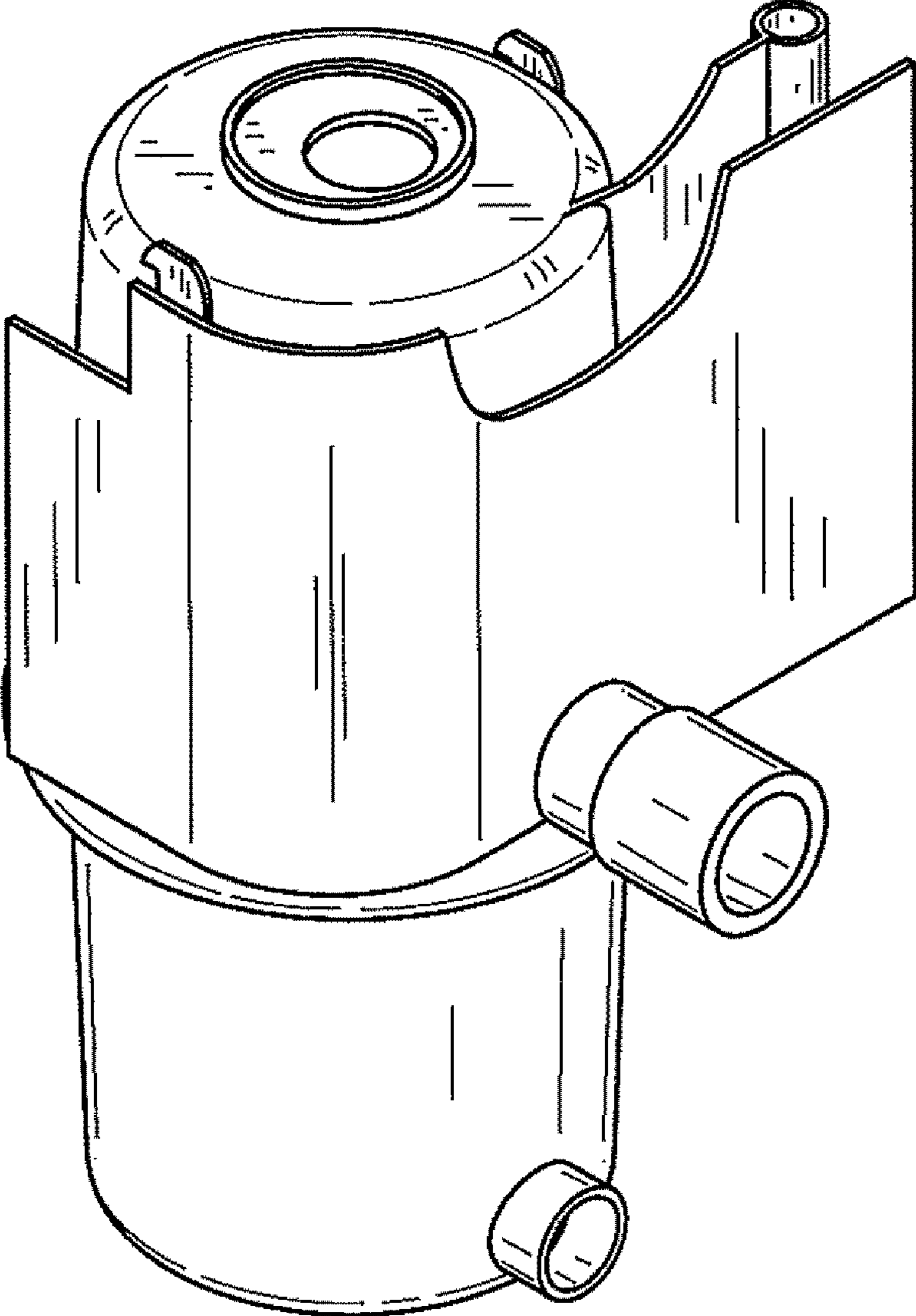


FIG. 1

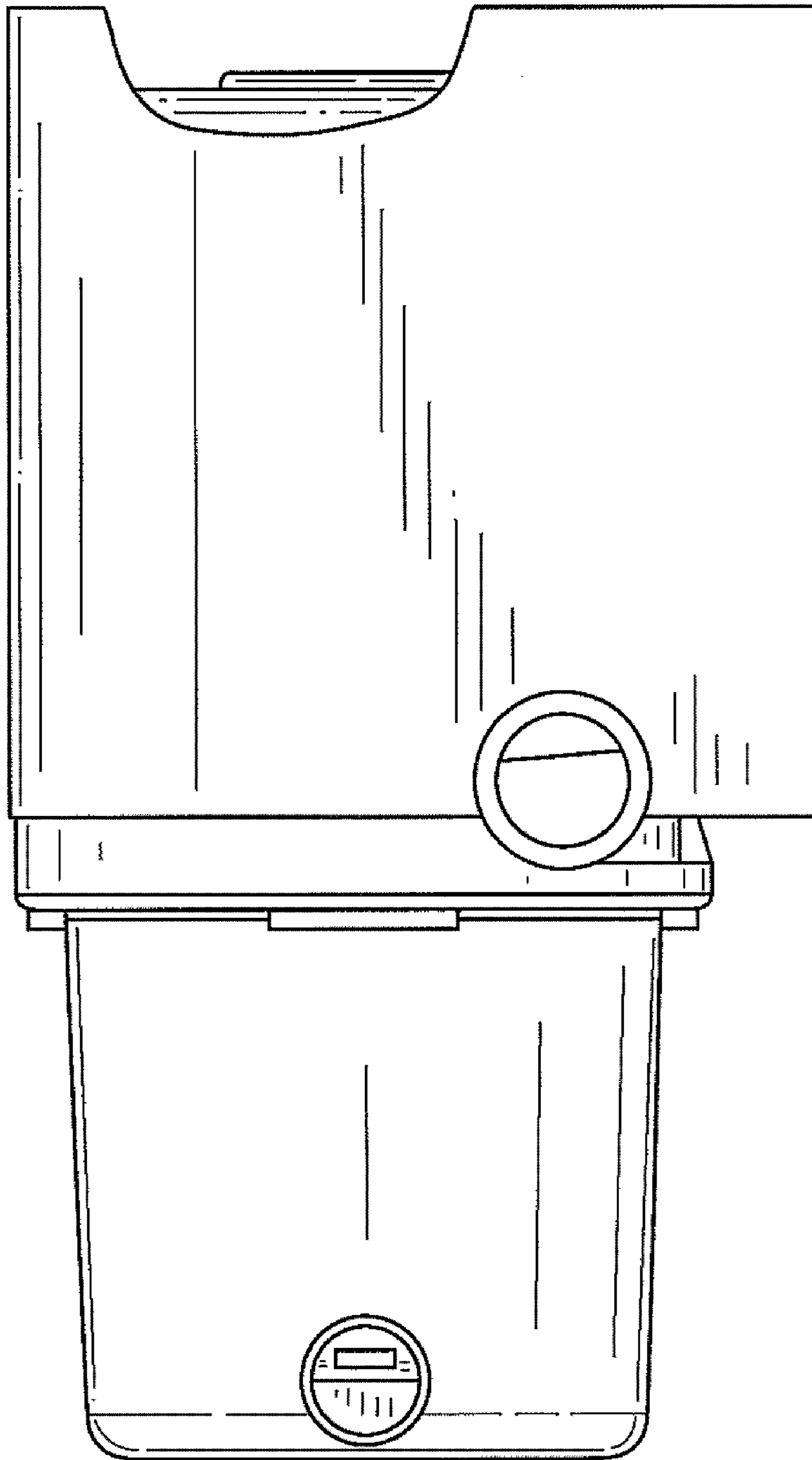


FIG. 2

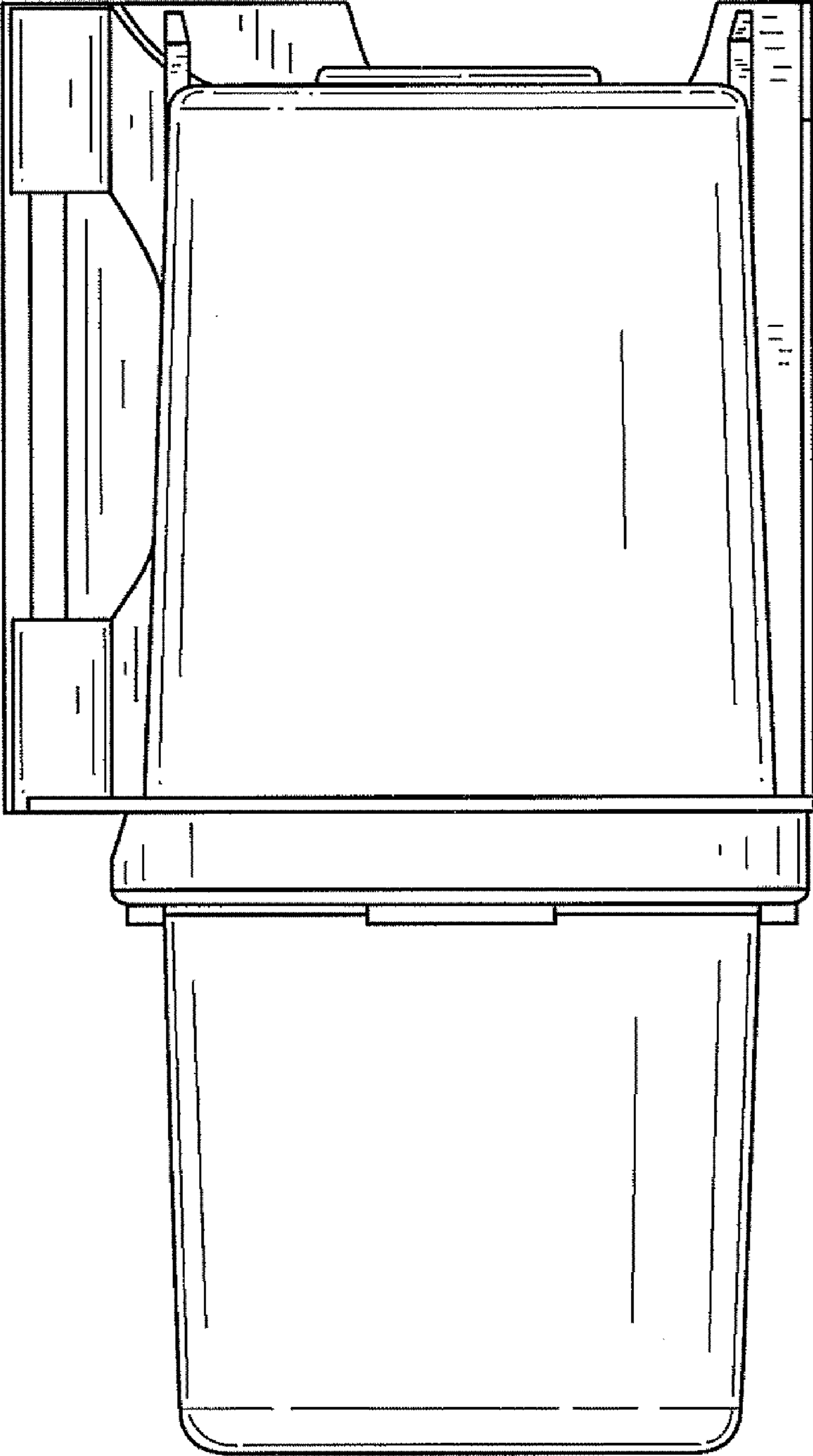


FIG.3

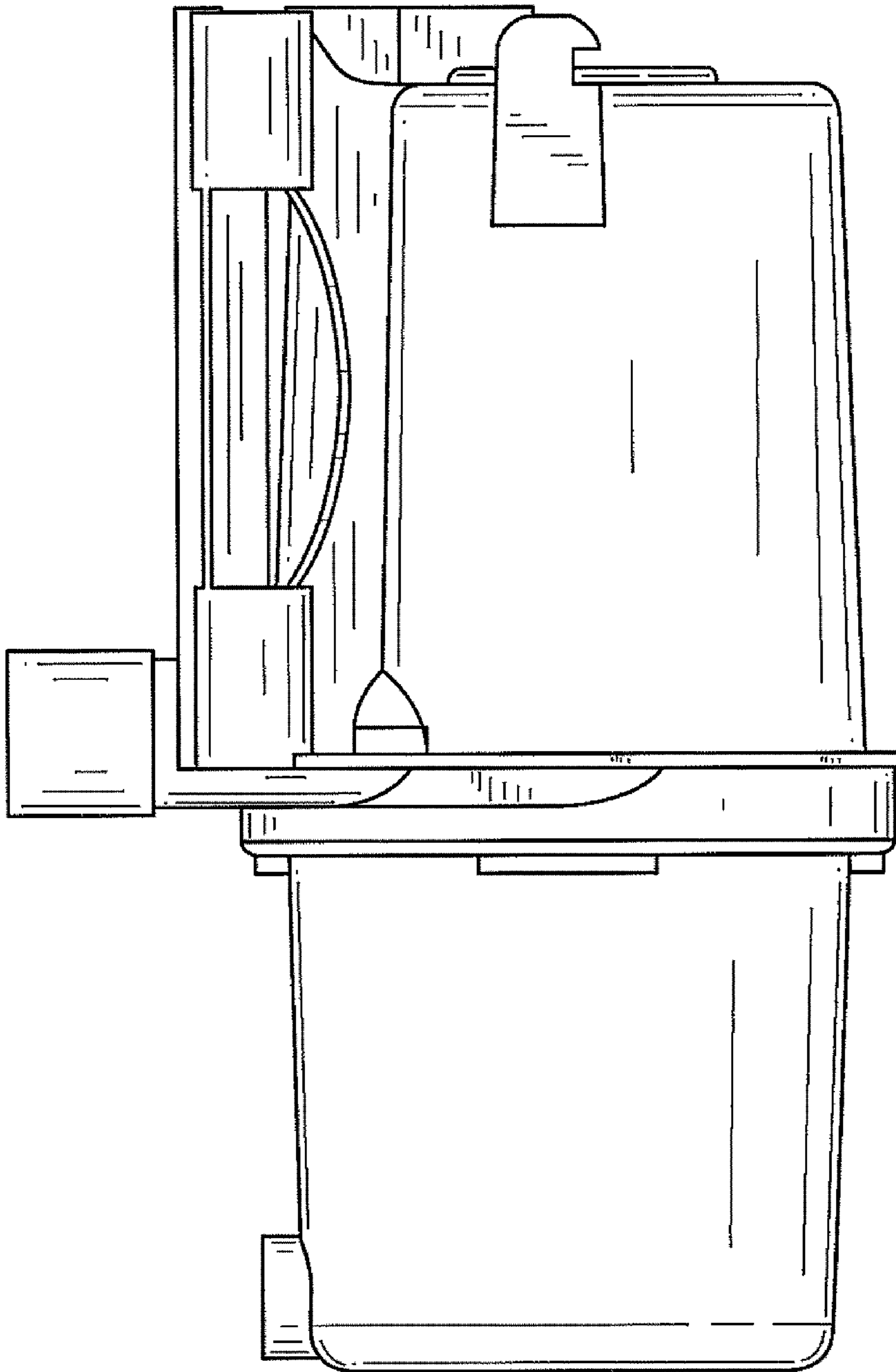


FIG.4

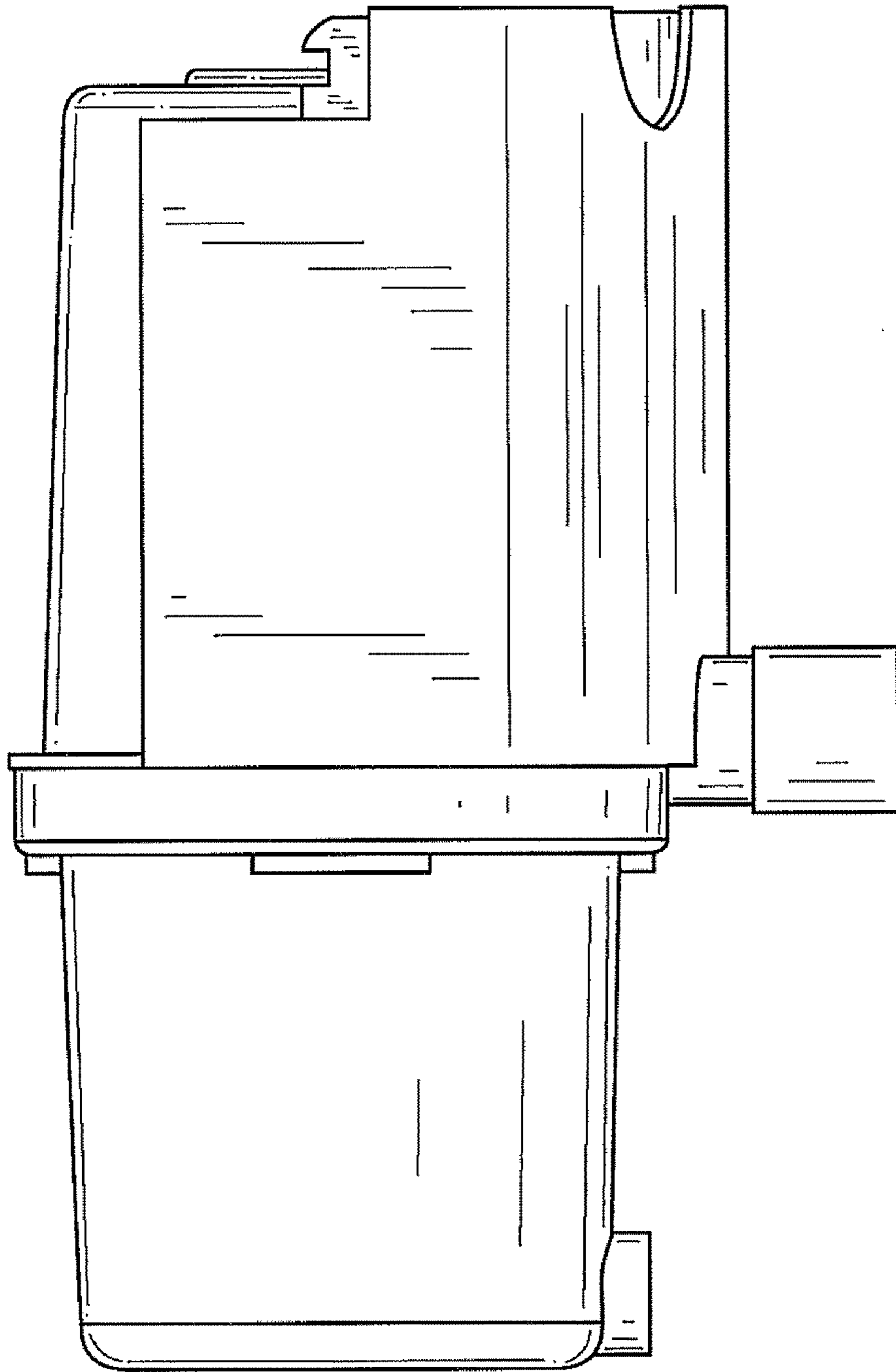


FIG.5



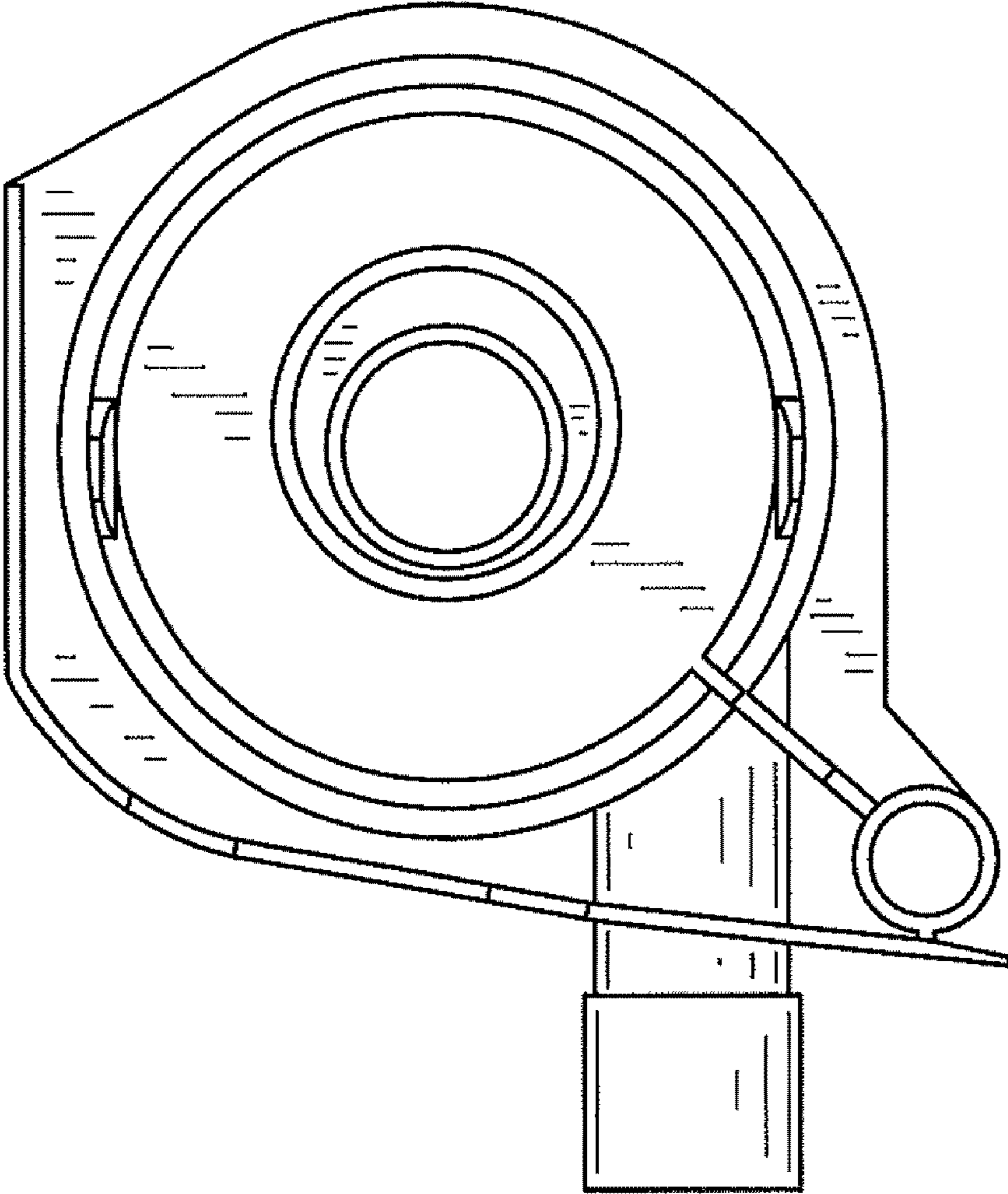


FIG. 6

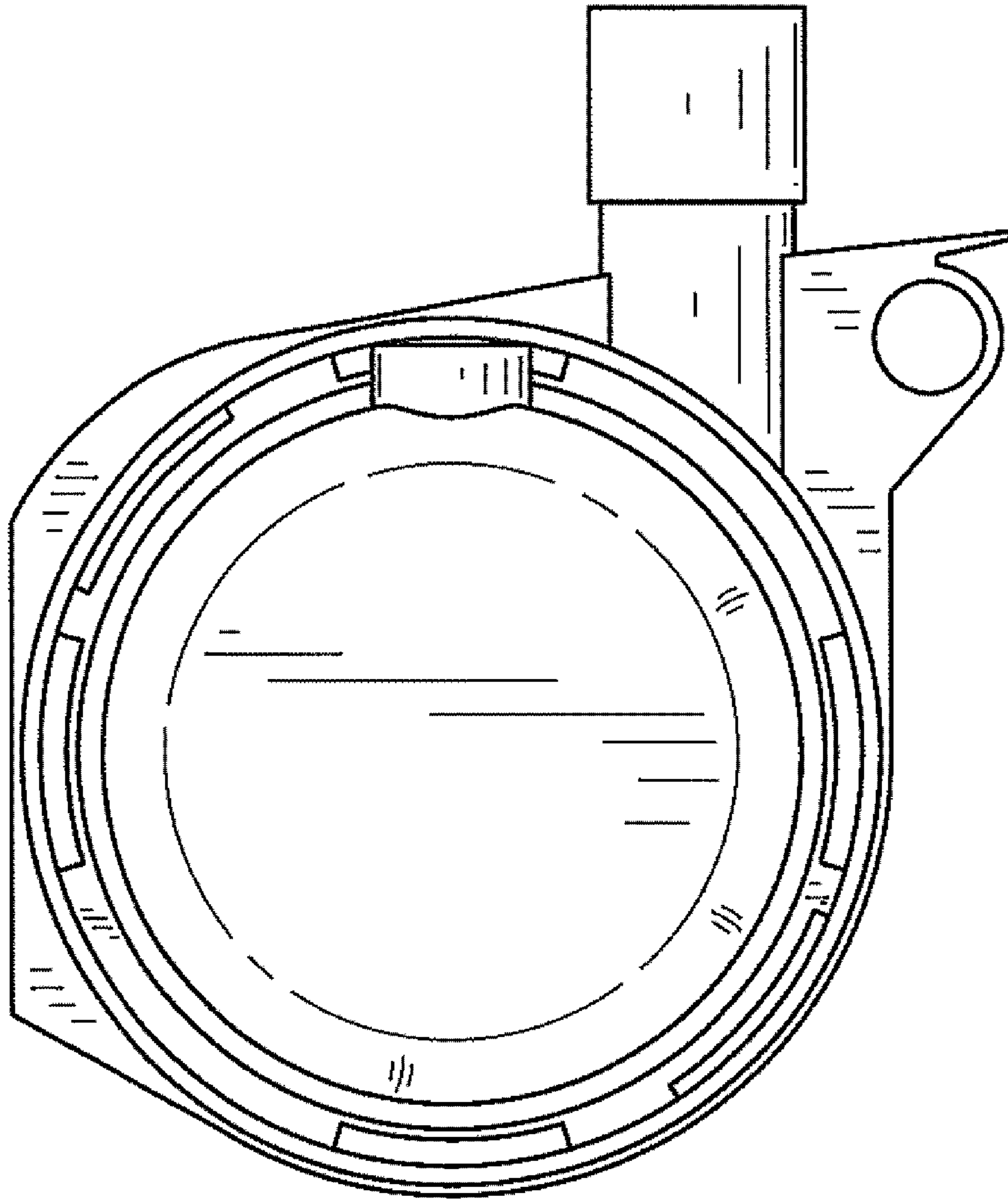


FIG.7