



US00D653745S

(12) **United States Design Patent**  
**Gregg et al.**

(10) **Patent No.:** **US D653,745 S**

(45) **Date of Patent:** **\*\* Feb. 7, 2012**

(54) **DRAIN PAN FOR MOUNTED WATER EQUIPMENT**

(76) Inventors: **Matthew Scott Gregg**, Mechanicsville, VA (US); **Franklin Shearwood Brizendine, Jr.**, Dunnsville, VA (US)

(\*\*) Term: **14 Years**

(21) Appl. No.: **29/333,891**

(22) Filed: **Mar. 17, 2009**

(51) **LOC (9) Cl.** ..... **23-04**

(52) **U.S. Cl.** ..... **D23/386**

(58) **Field of Classification Search** ..... D23/393,  
D23/370, 373, 351, 354, 259, 200; 454/364-368;  
220/571; 184/106; D15/150; 62/241, 244;  
126/30

See application file for complete search history.

(56) **References Cited**

U.S. PATENT DOCUMENTS

3,779,330	A *	12/1973	Longpre	.....	184/106
4,054,184	A *	10/1977	Marcinko	.....	184/106
4,677,947	A *	7/1987	Bousquet	.....	184/106
D318,109	S *	7/1991	Sullivan	.....	D23/354
D340,250	S *	10/1993	Lux, Jr.	.....	D15/150
5,339,676	A *	8/1994	Johnson	.....	184/106
D358,194	S *	5/1995	Schroeder	.....	D23/200

5,503,294	A *	4/1996	Taylor et al.	.....	220/571
5,526,900	A *	6/1996	Mason	.....	184/106
D398,619	S *	9/1998	Yevcak	.....	D15/150
5,967,200	A *	10/1999	Hall	.....	184/106
D457,539	S *	5/2002	Rothlisberger	.....	D15/150
7,188,708	B2 *	3/2007	Osman	.....	184/106

\* cited by examiner

*Primary Examiner* — David Muller

(74) *Attorney, Agent, or Firm* — Maier & Maier, PLLC

(57) **CLAIM**

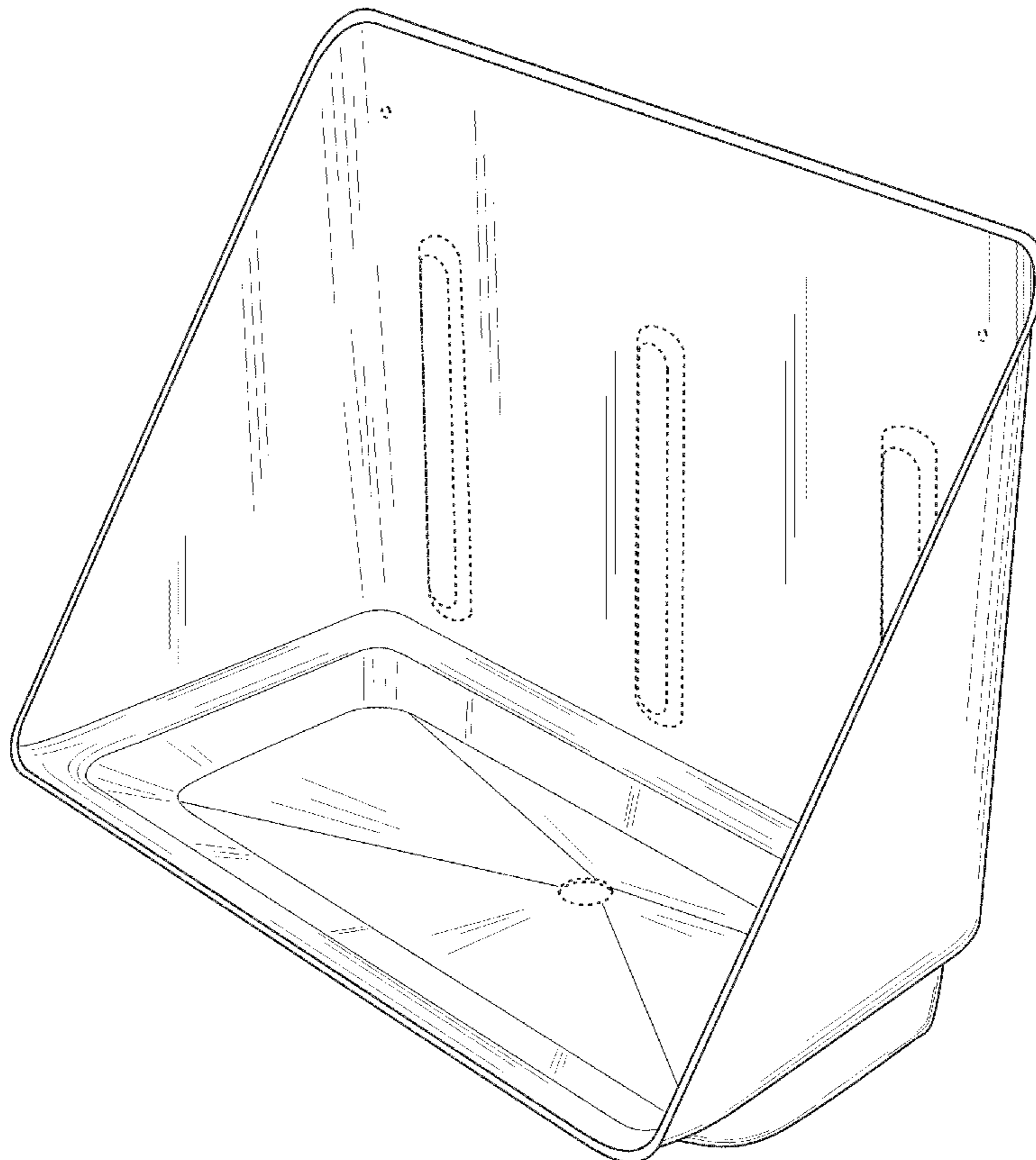
The ornamental design for a drain pan for mounted water equipment, as shown and described.

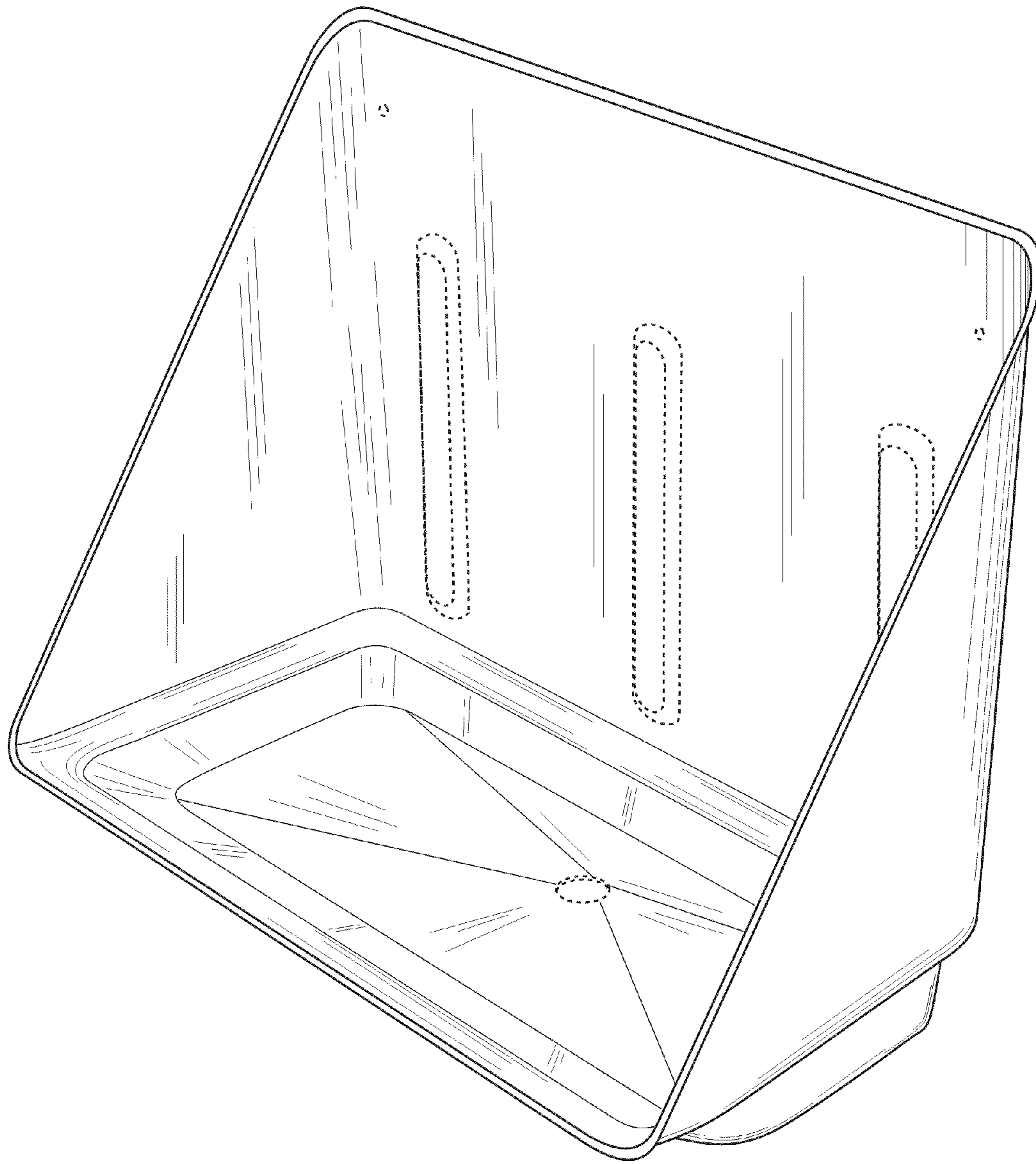
**DESCRIPTION**

FIG. 1 is an isometric view of a drain pan for mounted water equipment, showing our design; FIG. 2 is a front view thereof; FIG. 3 is a rear view thereof; FIG. 4 is a left side view thereof; FIG. 5 is a right side view thereof; FIG. 6 is a top view thereof; and, FIG. 7 is a bottom view thereof.

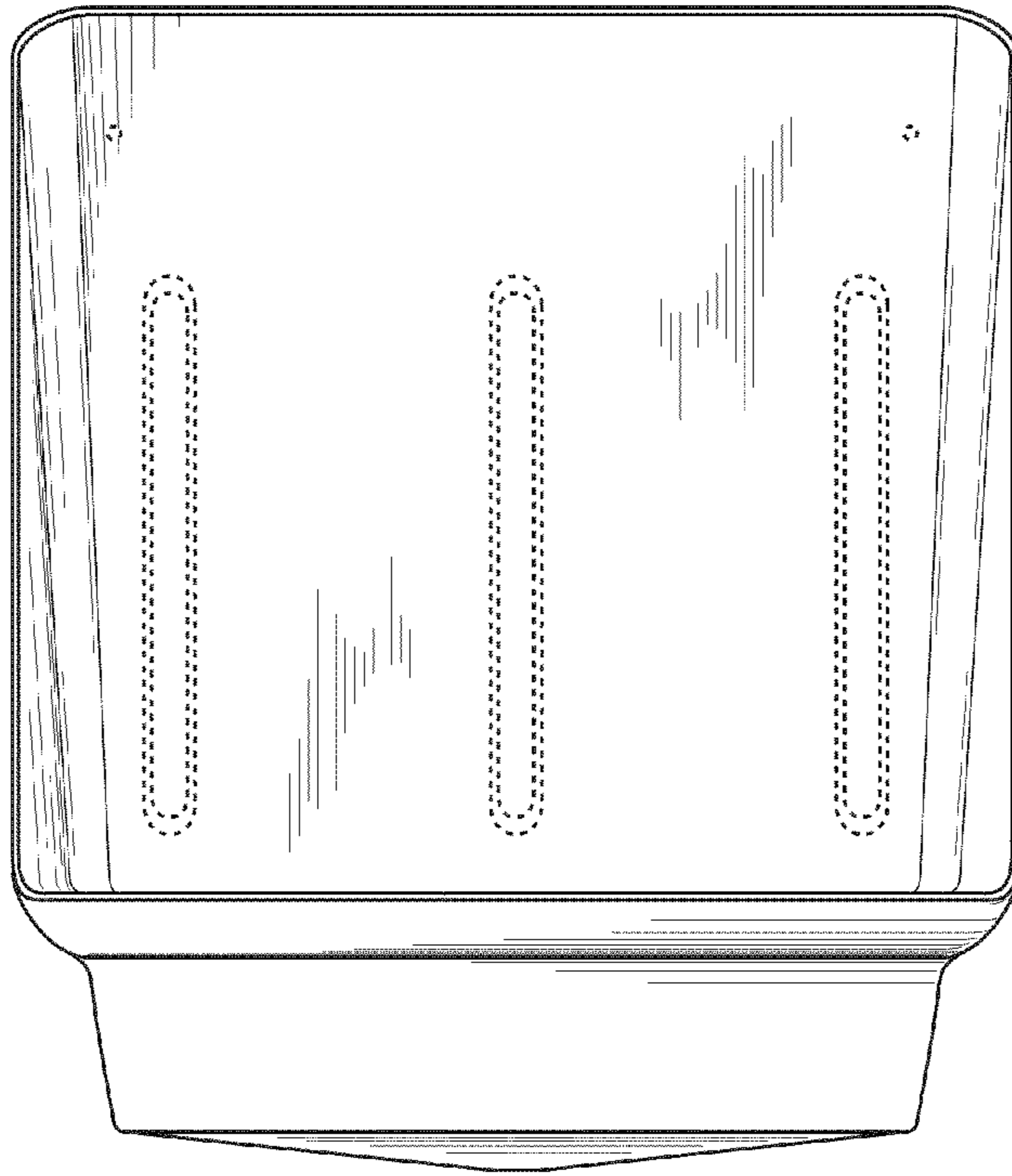
The broken line showing of parts of the drawings is included for the purpose of illustrating use and environment and forms no part of the claimed design.

**1 Claim, 3 Drawing Sheets**

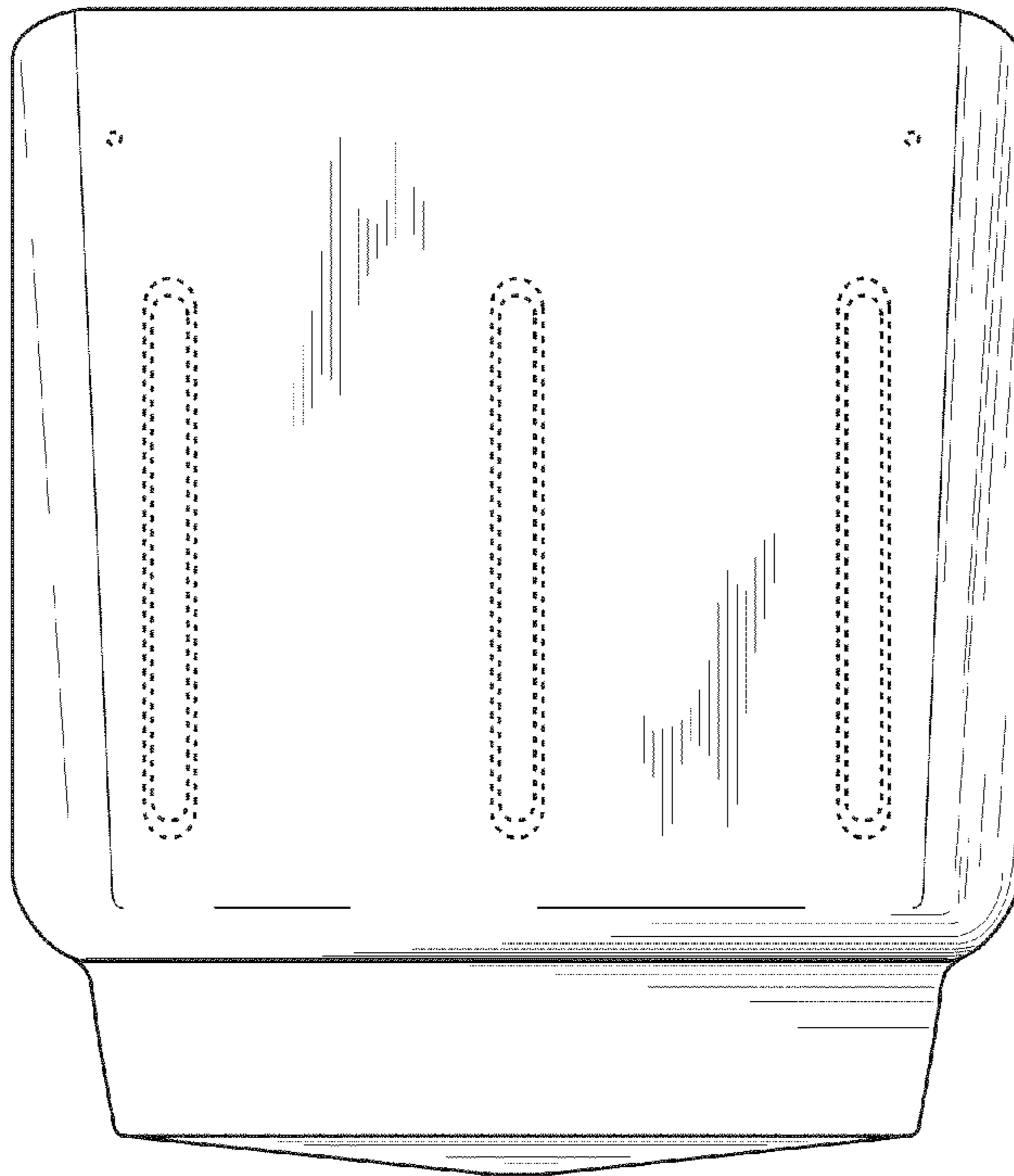




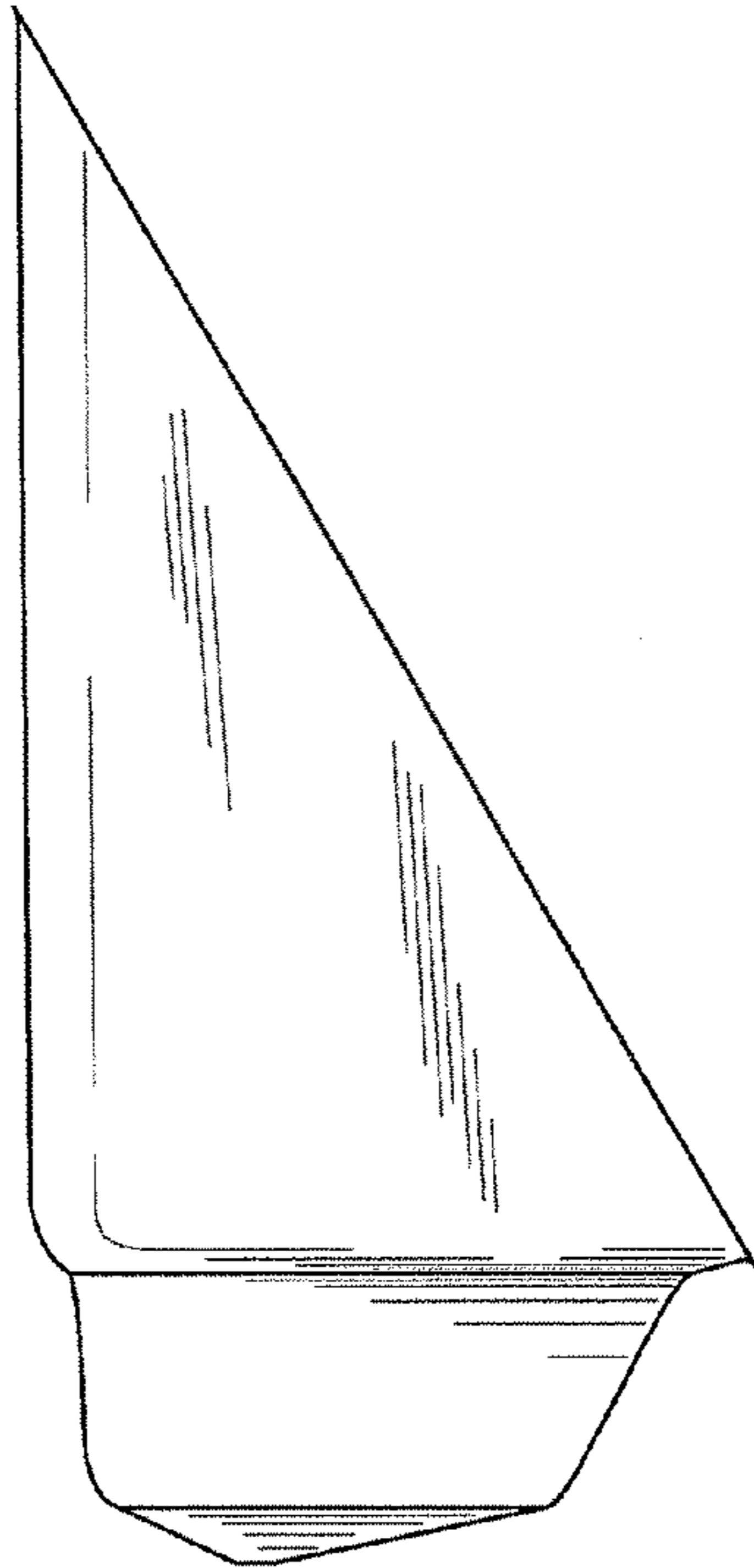
**Fig. 1**



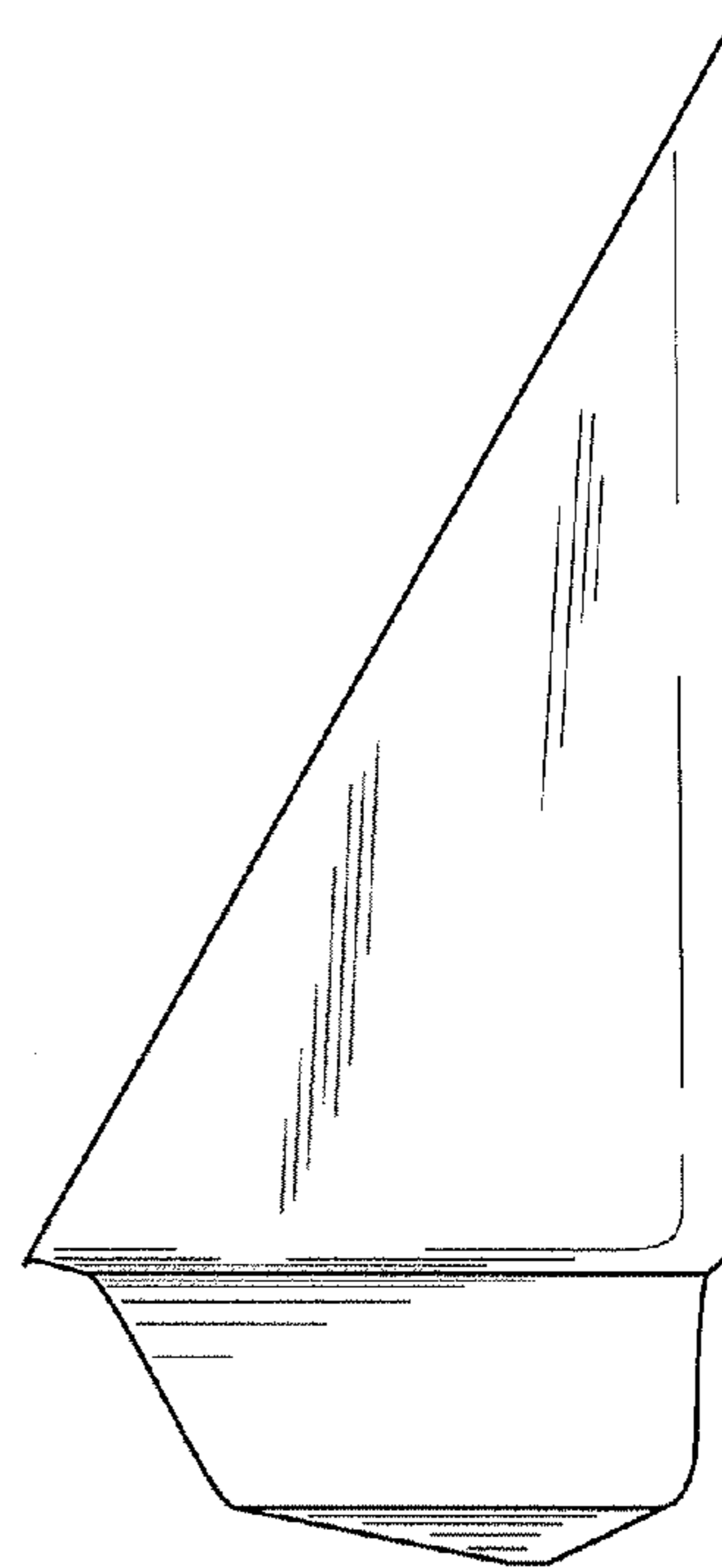
*Fig. 2*



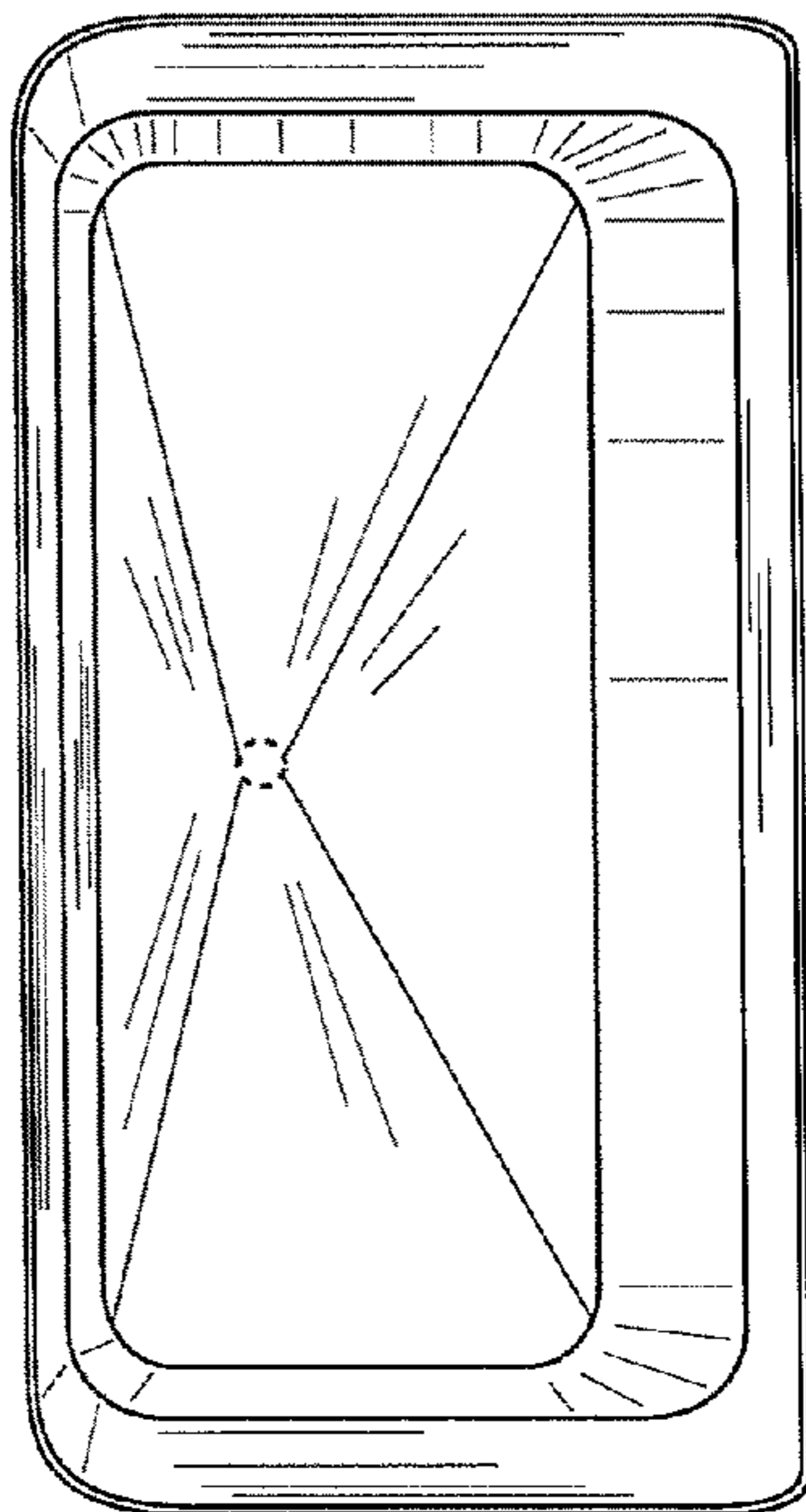
*Fig. 3*



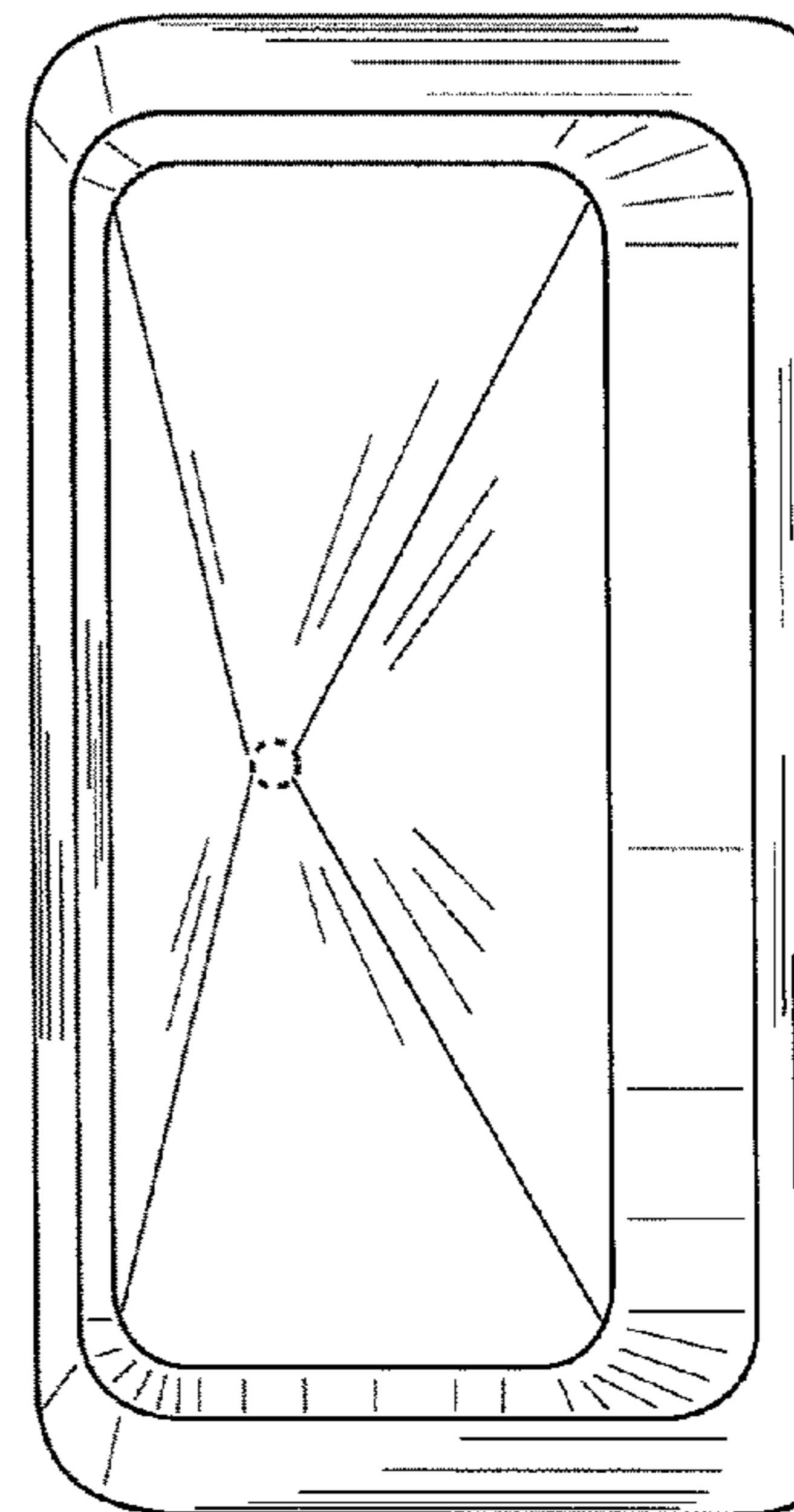
**Fig. 4**



**Fig. 5**



**Fig. 6**



**Fig. 7**