



US00D653738S

(12) **United States Design Patent**  
**Losa**

(10) **Patent No.:** **US D653,738 S**  
(45) **Date of Patent:** **\*\* Feb. 7, 2012**

(54) **FURNACE**

(75) Inventor: **Ivano Losa**, Lecco (IT)

(73) Assignee: **AK-47 S.R.L.**, Lecco (IT)

(\*\*) Term: **14 Years**

(21) Appl. No.: **29/371,176**

(22) Filed: **Nov. 15, 2010**

(30) **Foreign Application Priority Data**

May 20, 2010 (EM) ..... 001215362

(51) **LOC (9) Cl.** ..... **23-03**

(52) **U.S. Cl.** ..... **D23/329**

(58) **Field of Classification Search** ..... D23/314,  
D23/317, 332, 330, 335, 334, 336, 337, 338,  
D23/339, 340, 342, 352, 355, 362, 364, 329;  
416/244 R, 347 R, 53.1-53.3; 392/365, 367

See application file for complete search history.

(56) **References Cited**

**U.S. PATENT DOCUMENTS**

3,107,663 A \* 10/1963 Lambert ..... 126/85 R  
D379,900 S \* 6/1997 Gillam et al. .... D7/337

D467,651 S \* 12/2002 Ashton ..... D23/332  
D633,995 S \* 3/2011 Chiang ..... D23/343  
D637,273 S \* 5/2011 Weng et al. .... D23/328

\* cited by examiner

*Primary Examiner* — T. Chase Nelson

*Assistant Examiner* — Ania Aman

(74) *Attorney, Agent, or Firm* — Modiano & Associati;  
Alber Josif; Daniel J. O’Byrne

(57) **CLAIM**

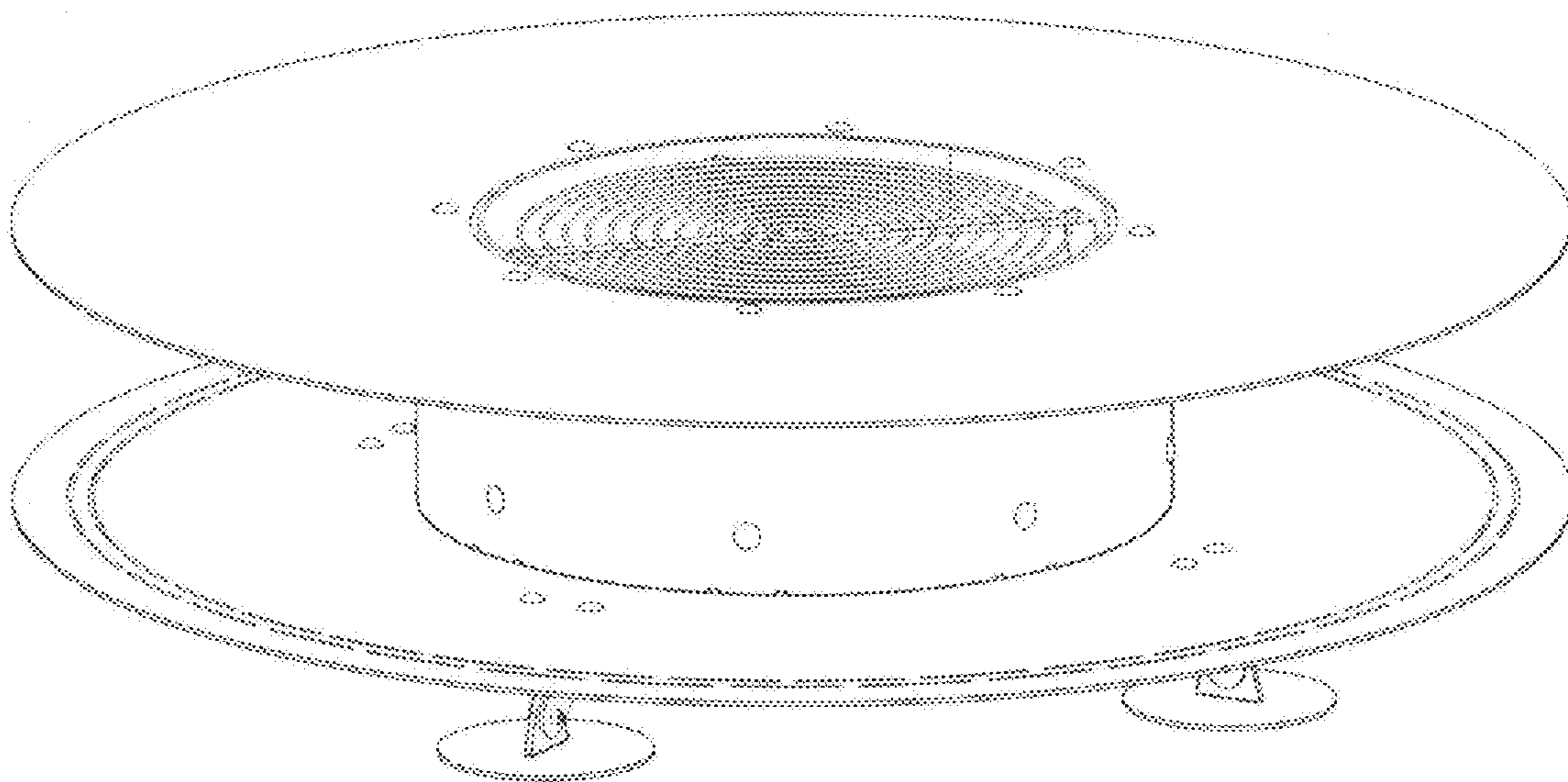
The ornamental design for the furnace, as shown and described.

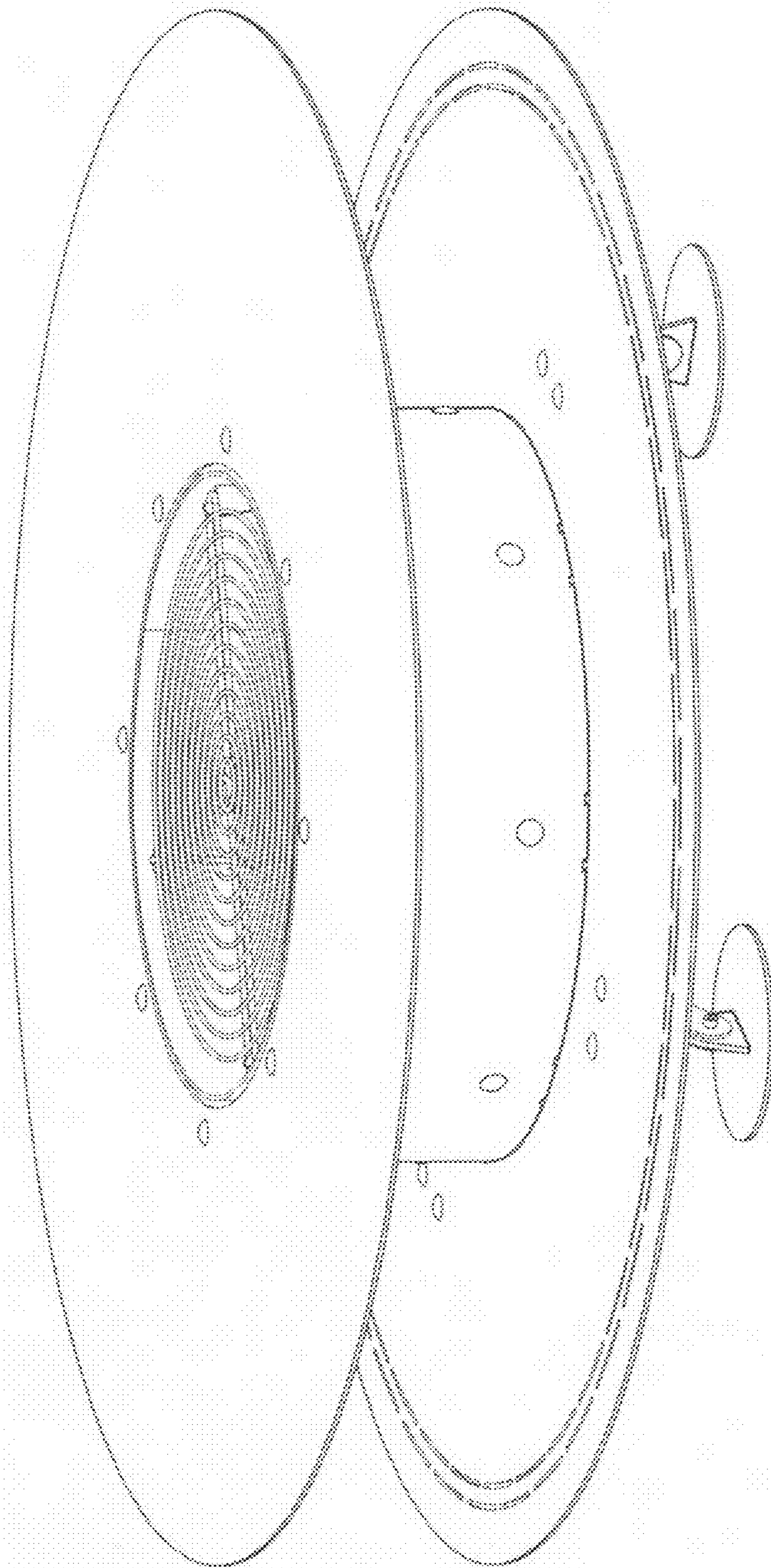
**DESCRIPTION**

FIG. 1 is a perspective view of the furnace;  
FIG. 2 is a front elevation view thereof;  
FIG. 3 is a rear elevation view thereof;  
FIG. 4 is a left side elevation view thereof;  
FIG. 5 is a right side elevation view thereof;  
FIG. 6 is a plan view thereof, taken from above; and,  
FIG. 7 is a plan view thereof, taken from below.

The present design relates to a furnace that has a cylindrical body which defines a central region for accommodating the wood to be burned surrounded by an upper circular flange and by a lower circular flange which define the area for storing the wood to be used for the furnace.

**1 Claim, 5 Drawing Sheets**





*Fig. 1*



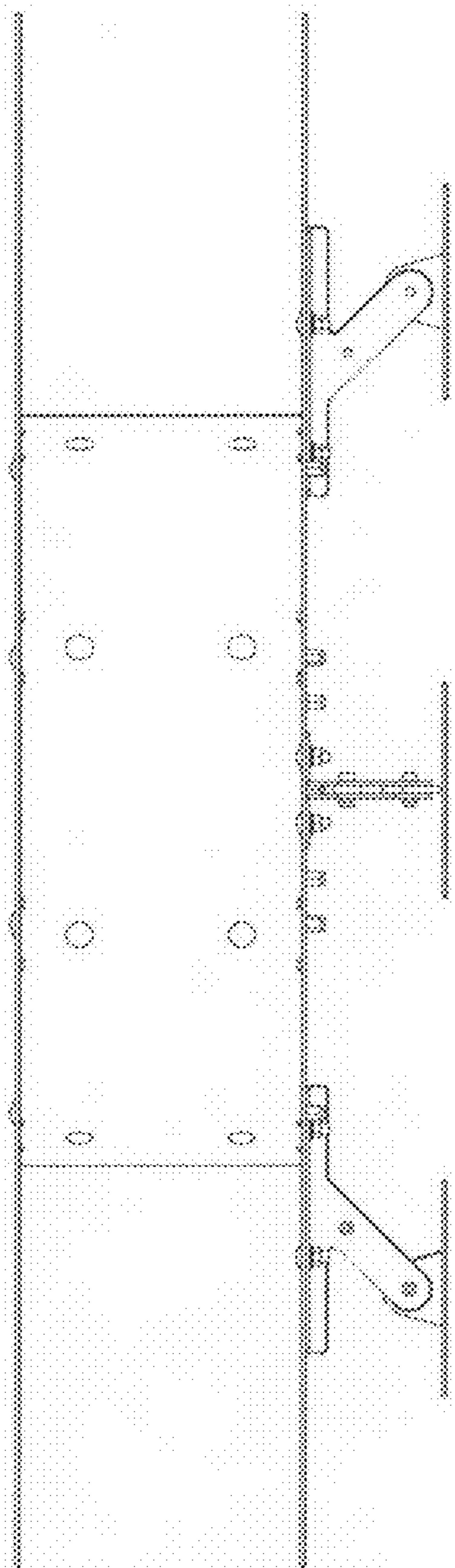


Fig. 2

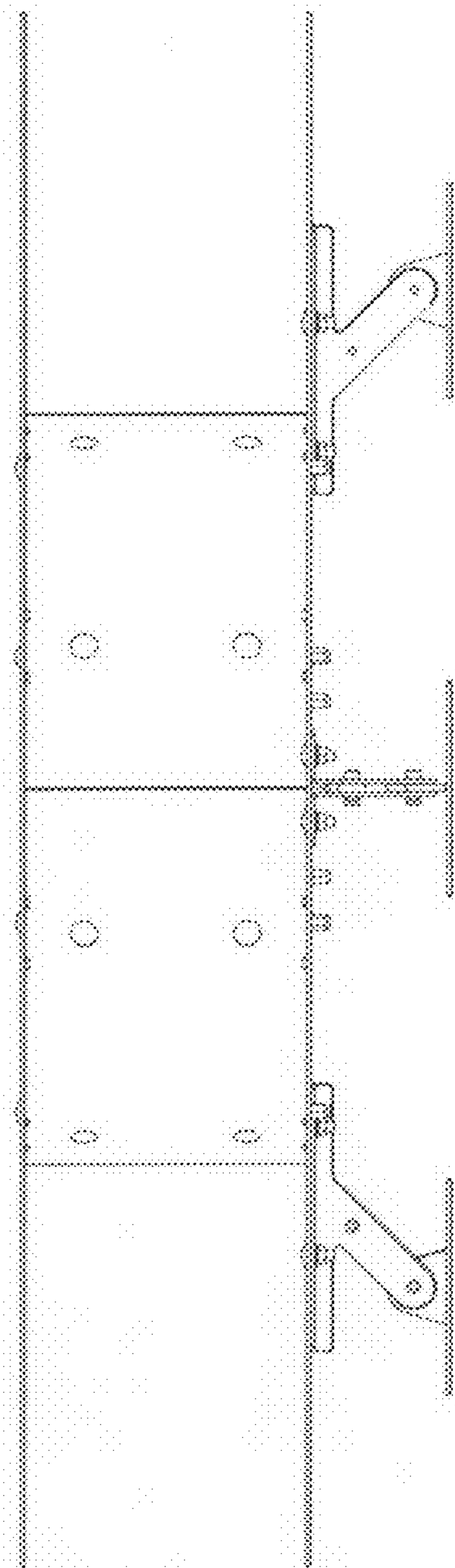


Fig. 3

Fig. 4

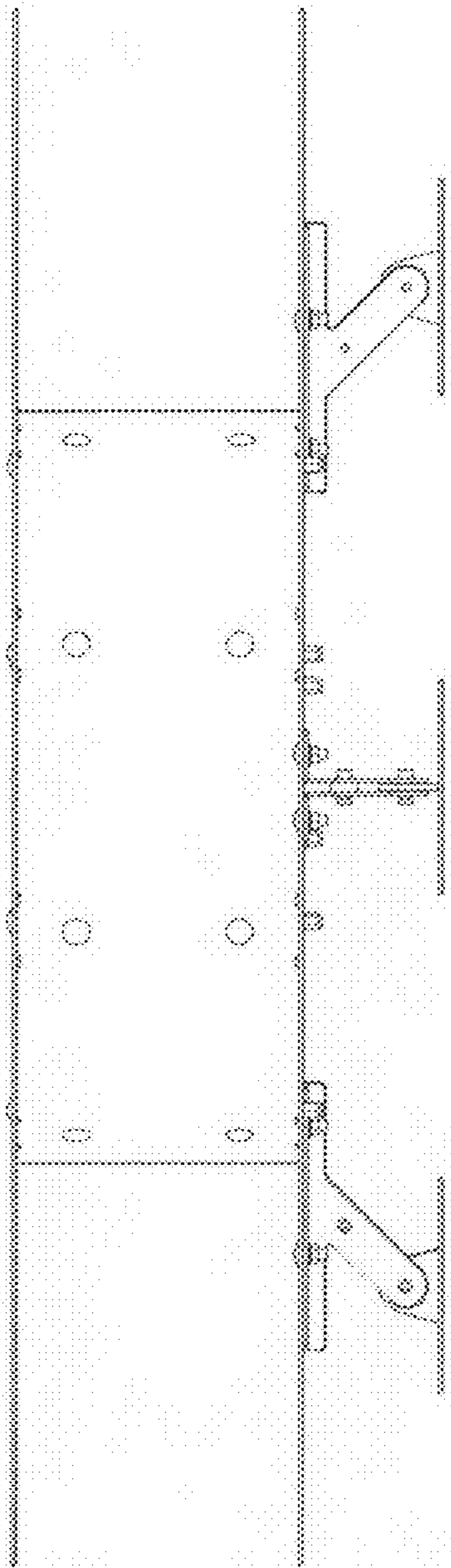
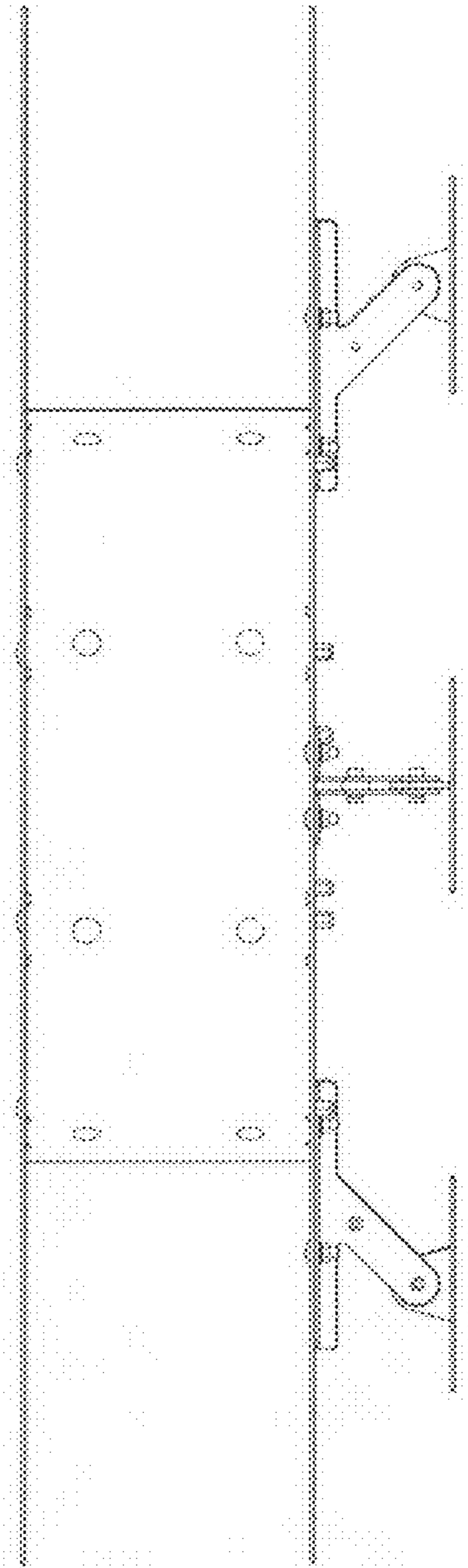
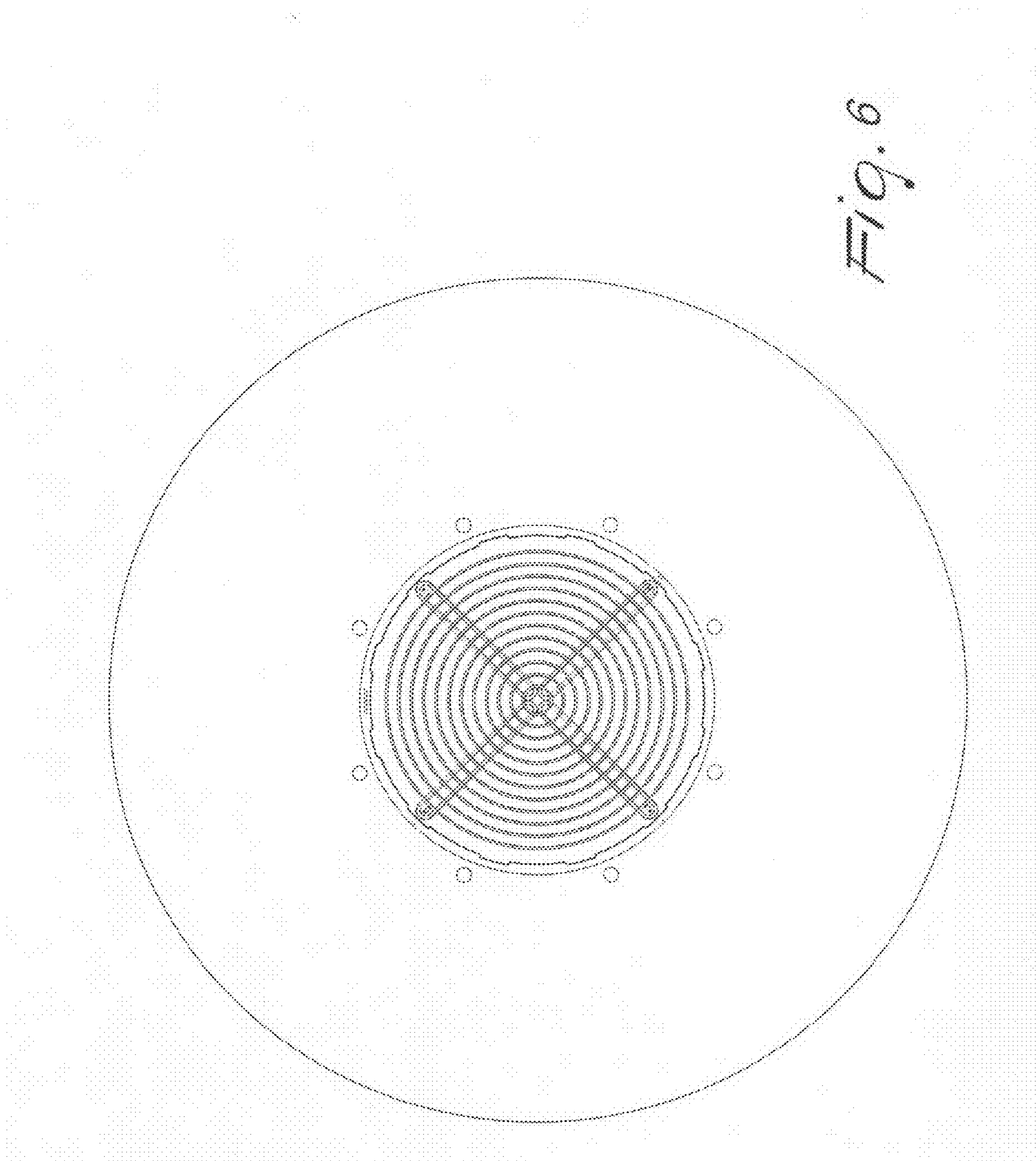


Fig. 5





*Fig. 6*



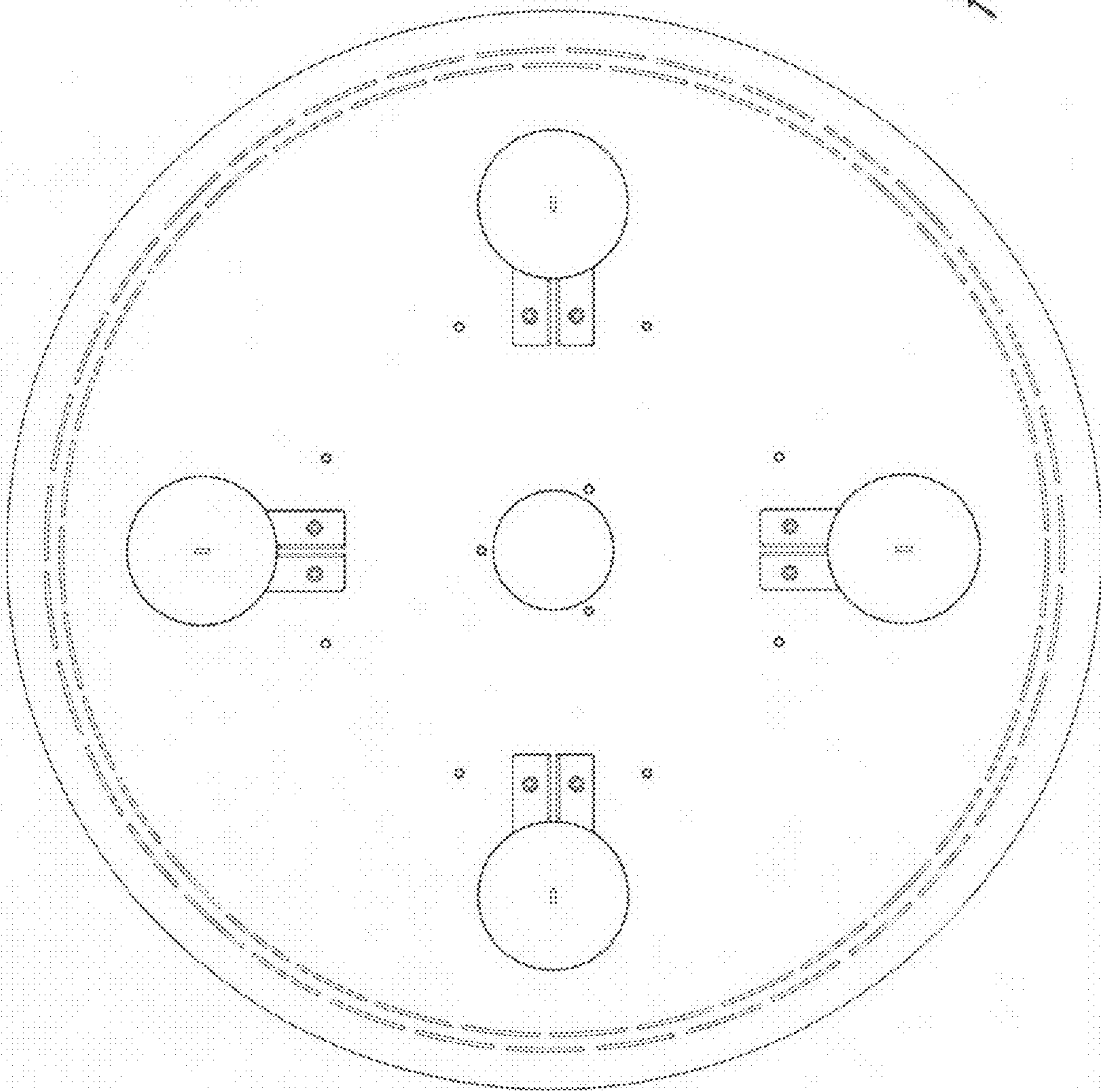


Fig. 7