



US00D653737S

(12) **United States Design Patent**
Reyes-Silva

(10) **Patent No.:** **US D653,737 S**

(45) **Date of Patent:** **** Feb. 7, 2012**

(54) **BATH AND SHOWER LINER**

(76) **Inventor:** **Neyda G. Reyes-Silva**, Gardena, CA
(US)

(**) **Term:** **14 Years**

(21) **Appl. No.:** **29/388,686**

(22) **Filed:** **Mar. 31, 2011**

(51) **LOC (9) Cl.** **23-02**

(52) **U.S. Cl.** **D23/304**

(58) **Field of Classification Search** D23/275,
D23/277, 280.1, 303-304; 4/580-581, 583;
D6/611

See application file for complete search history.

(56) **References Cited**

U.S. PATENT DOCUMENTS

1,081,987	A *	12/1913	Price, Jr.	4/580
1,961,360	A *	6/1934	Herndon, Jr. et al.	4/580
3,931,651	A	1/1976	Weir	
3,938,200	A *	2/1976	Roberts et al.	4/580
4,602,393	A *	7/1986	Fiveash	4/580
5,153,950	A *	10/1992	Sowers	4/580

5,216,764	A *	6/1993	Hall et al.	4/583
D361,831	S *	8/1995	Pokosa	D23/304
5,465,436	A *	11/1995	Bleicher	4/580
D387,143	S *	12/1997	McCarroll	D23/304
5,742,955	A	4/1998	Parkay et al.	
6,085,367	A *	7/2000	Guiste	4/580

* cited by examiner

Primary Examiner — Robert Delehanty

(57) **CLAIM**

The ornamental design for a bath and shower liner, as shown and described.

DESCRIPTION

FIG. 1 is a right elevation view of a bath and shower liner showing our new design, the opposite side being a mirror image of the shown;

FIG. 2 is a front elevation view thereof;

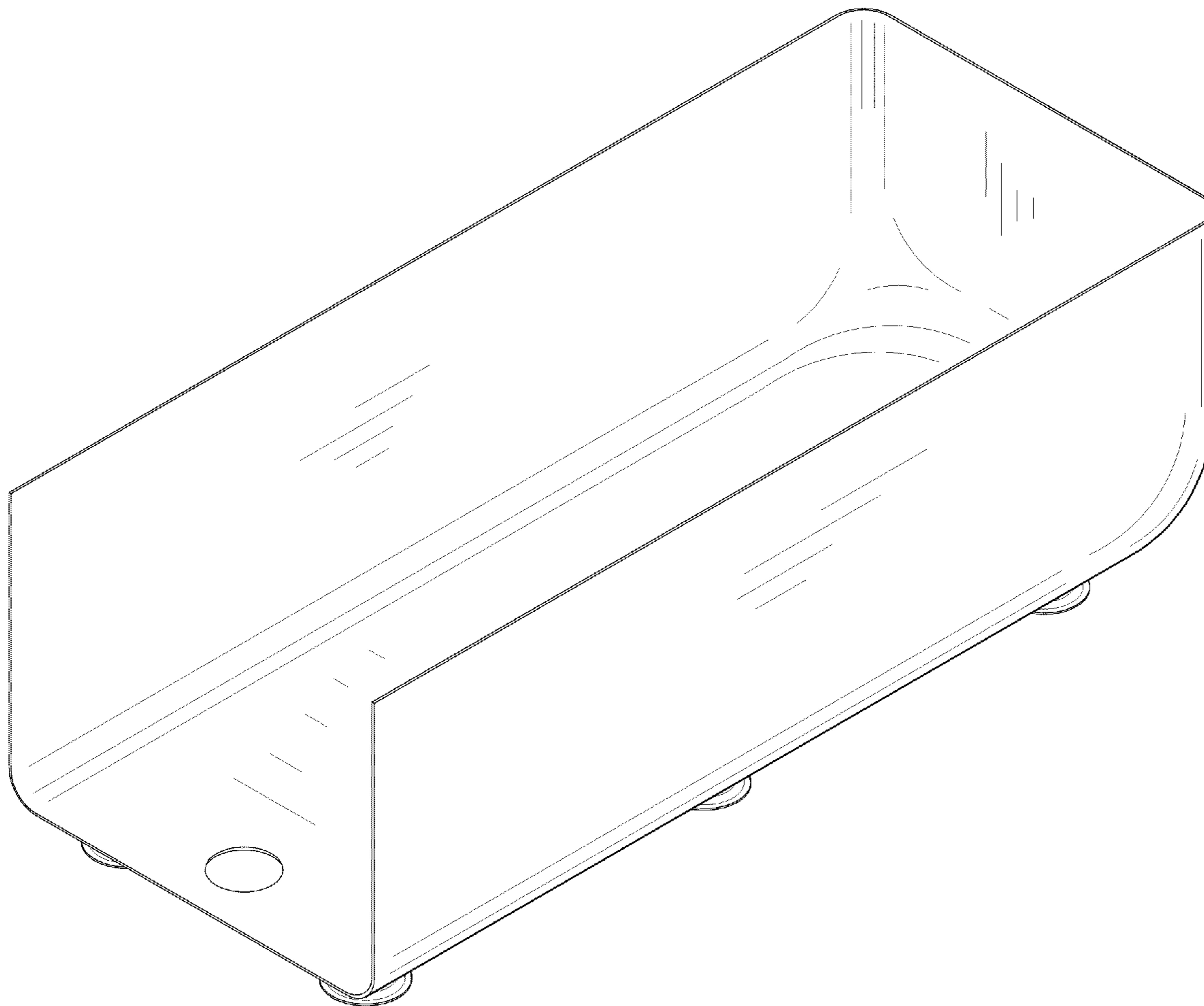
FIG. 3 is a rear elevation view thereof;

FIG. 4 is a top plan view thereof;

FIG. 5 is a bottom plan view thereof; and,

FIG. 6 is an isometric view thereof.

1 Claim, 5 Drawing Sheets



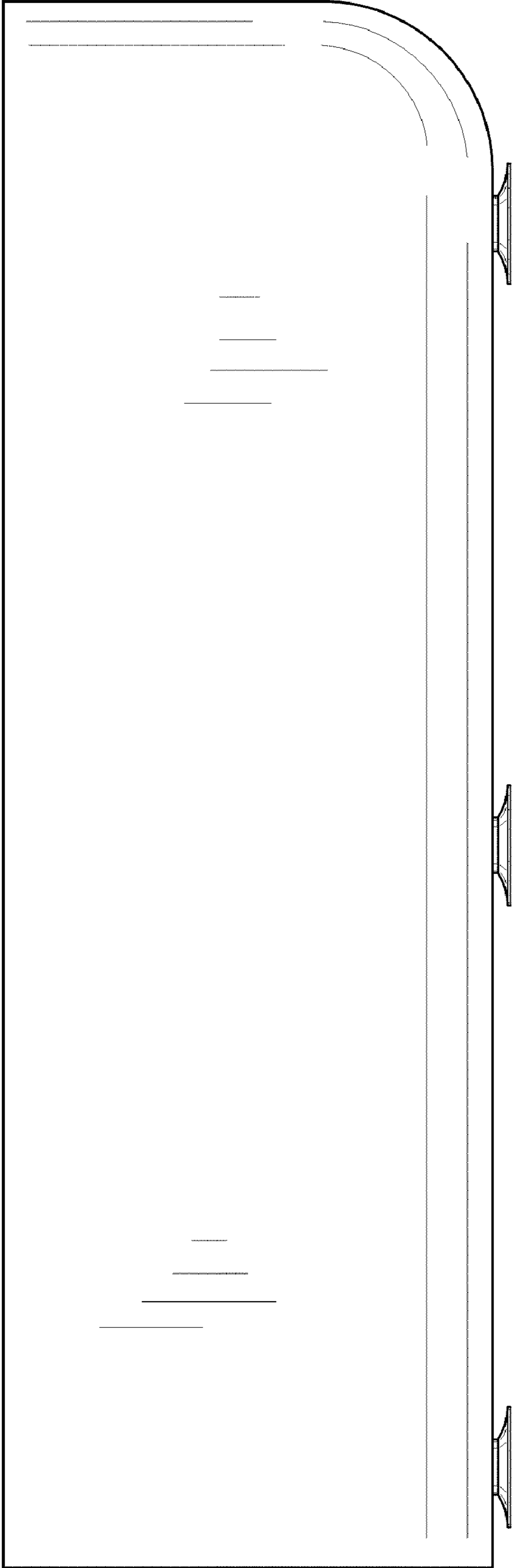


FIG. 1

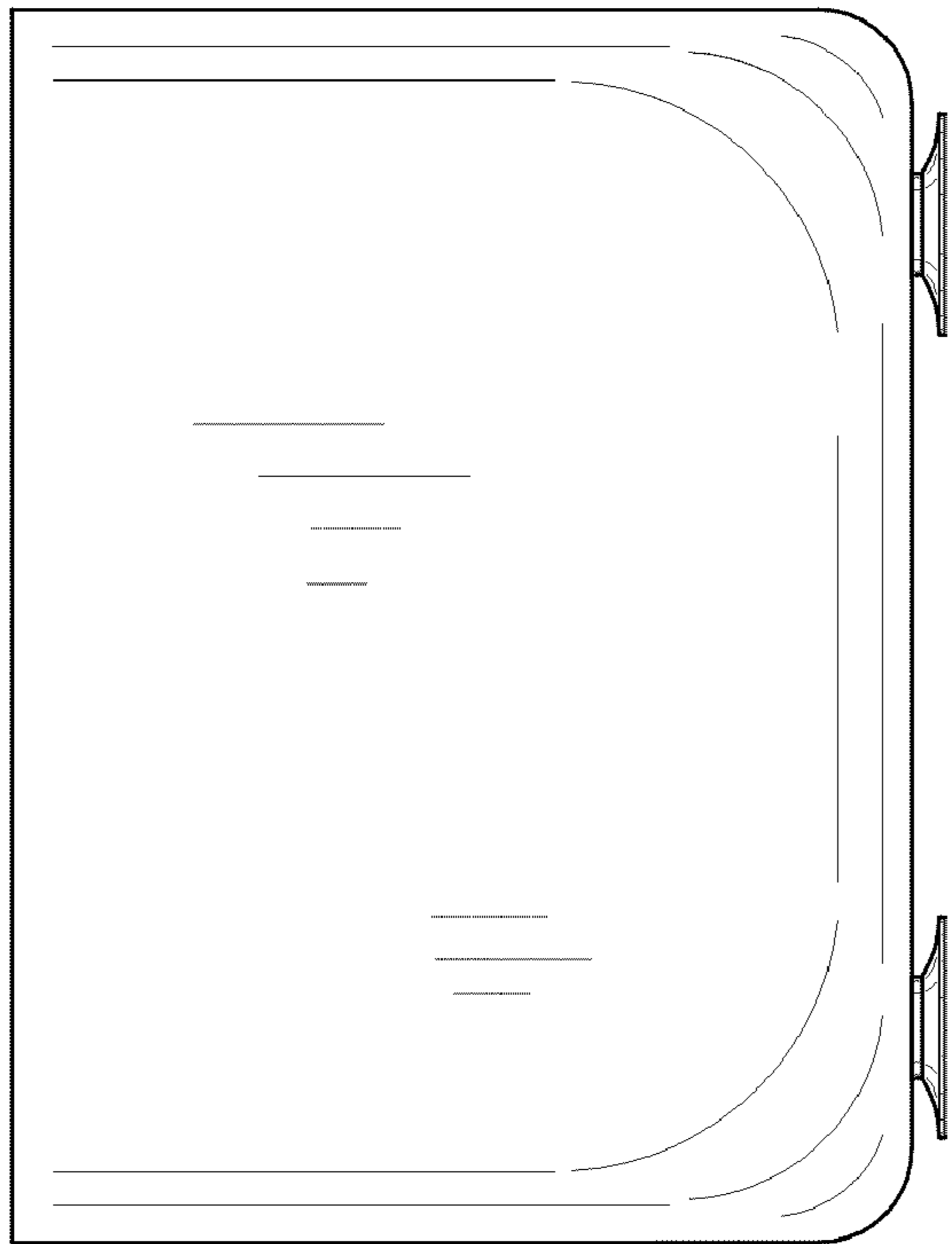


FIG. 2

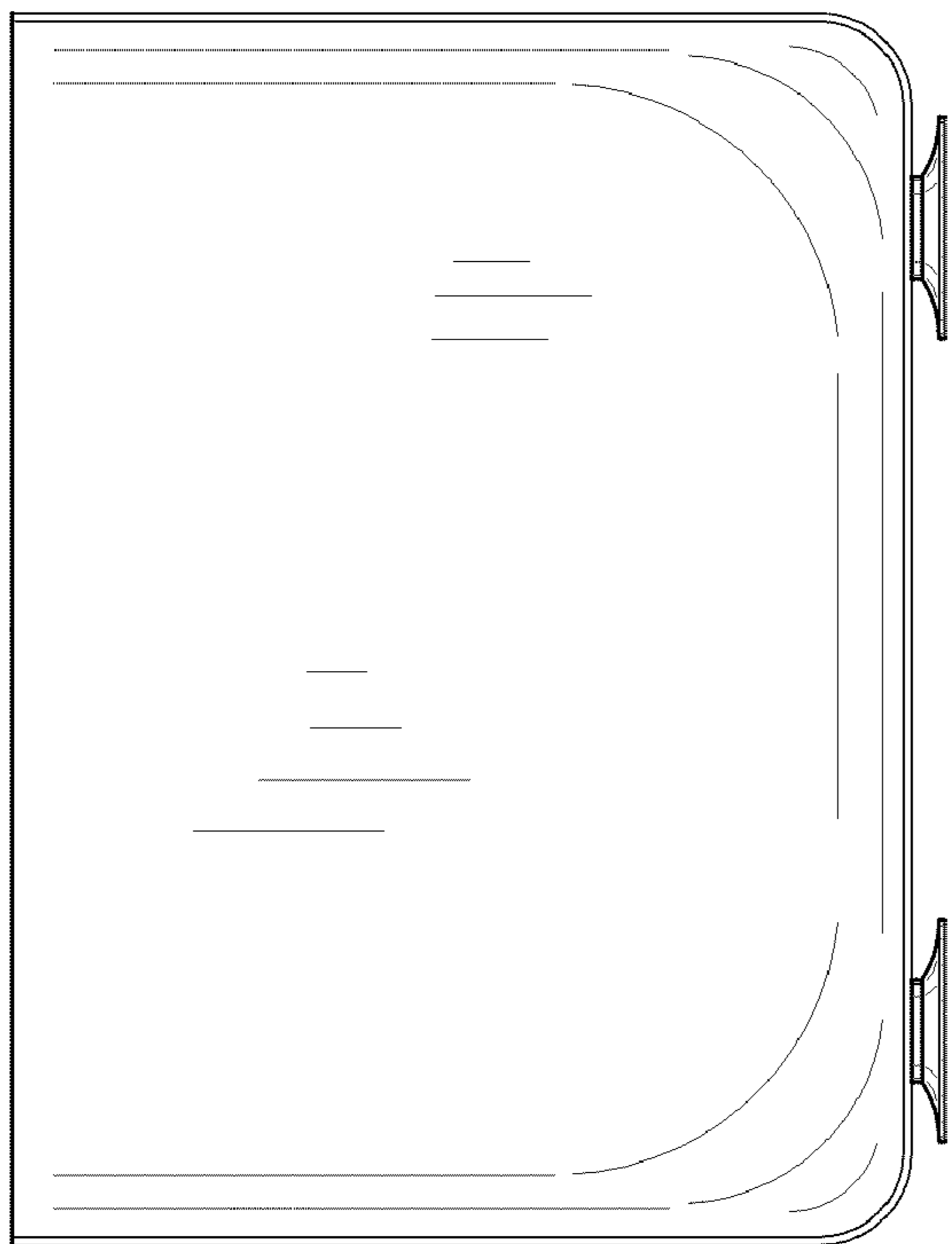


FIG. 3

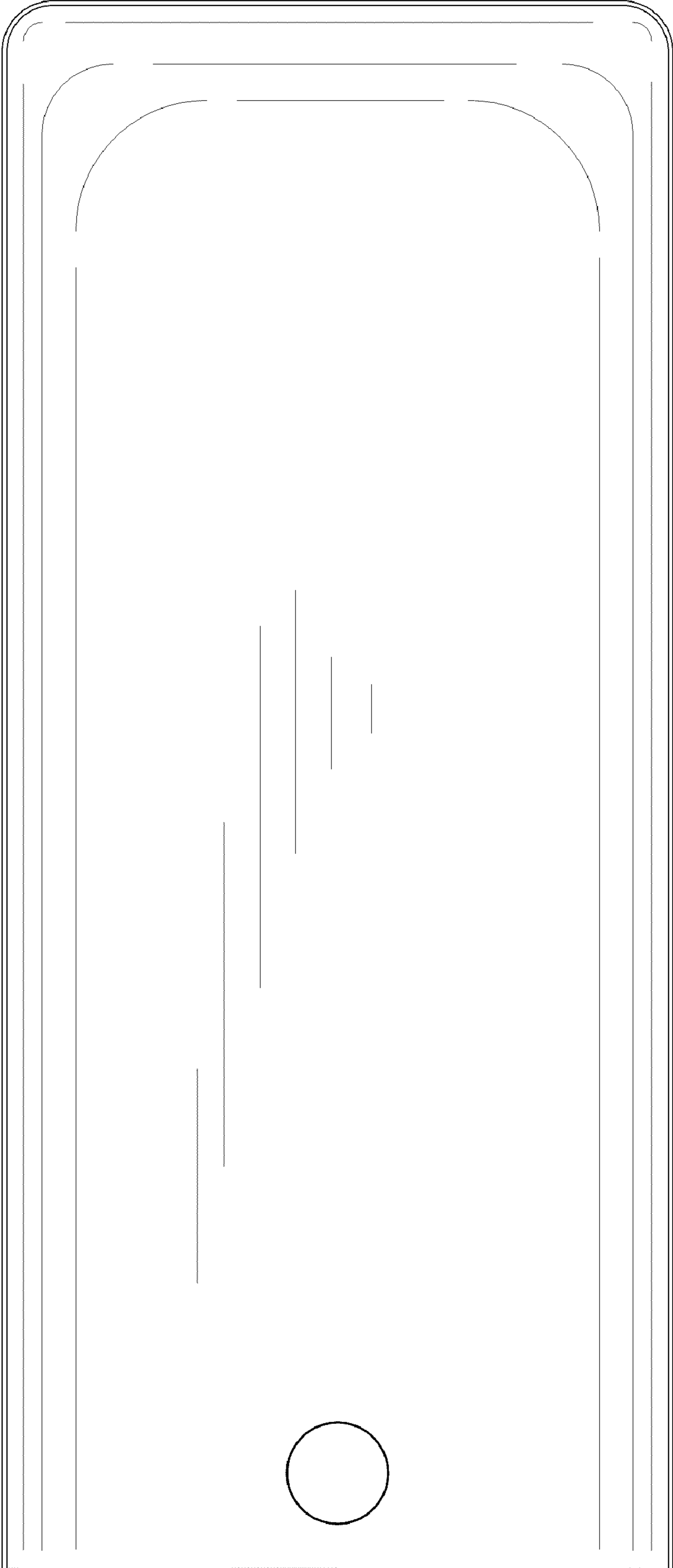


FIG. 4

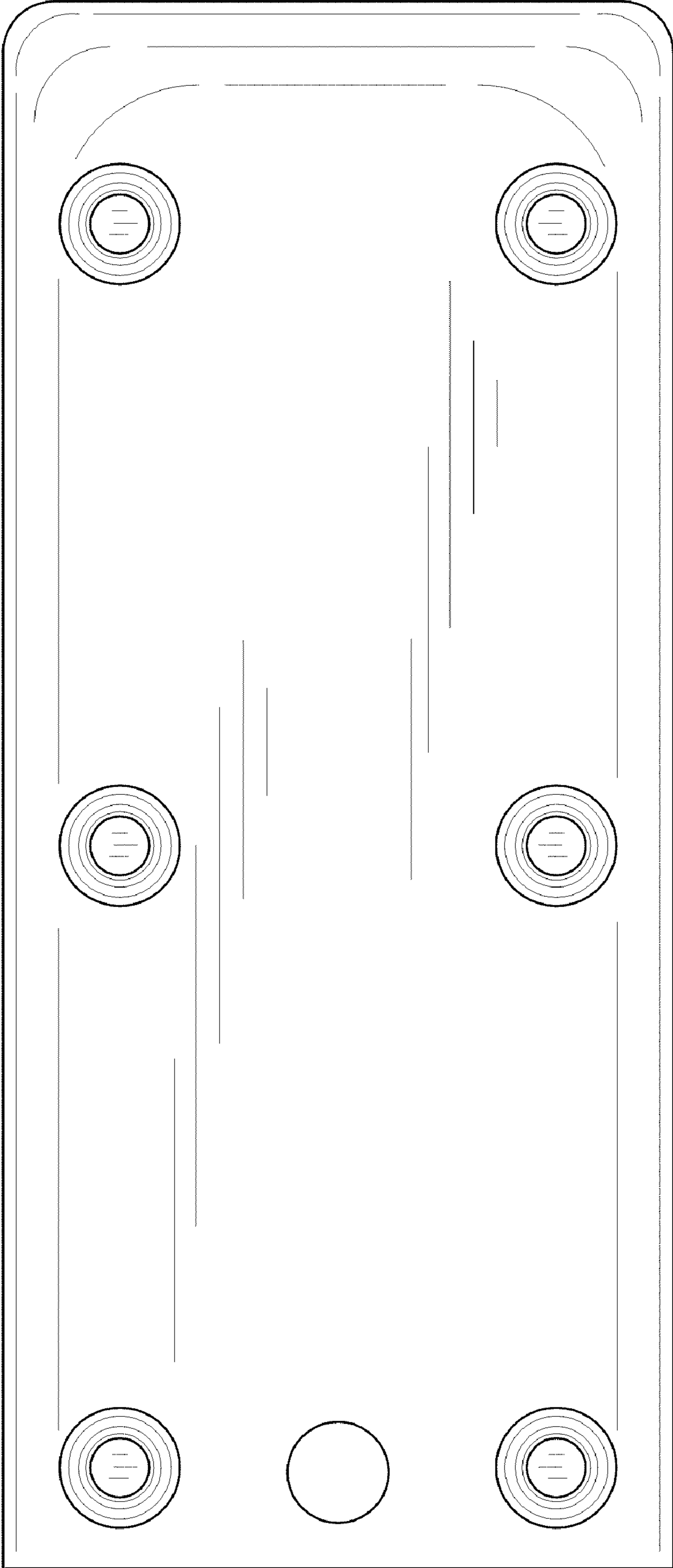


FIG. 5

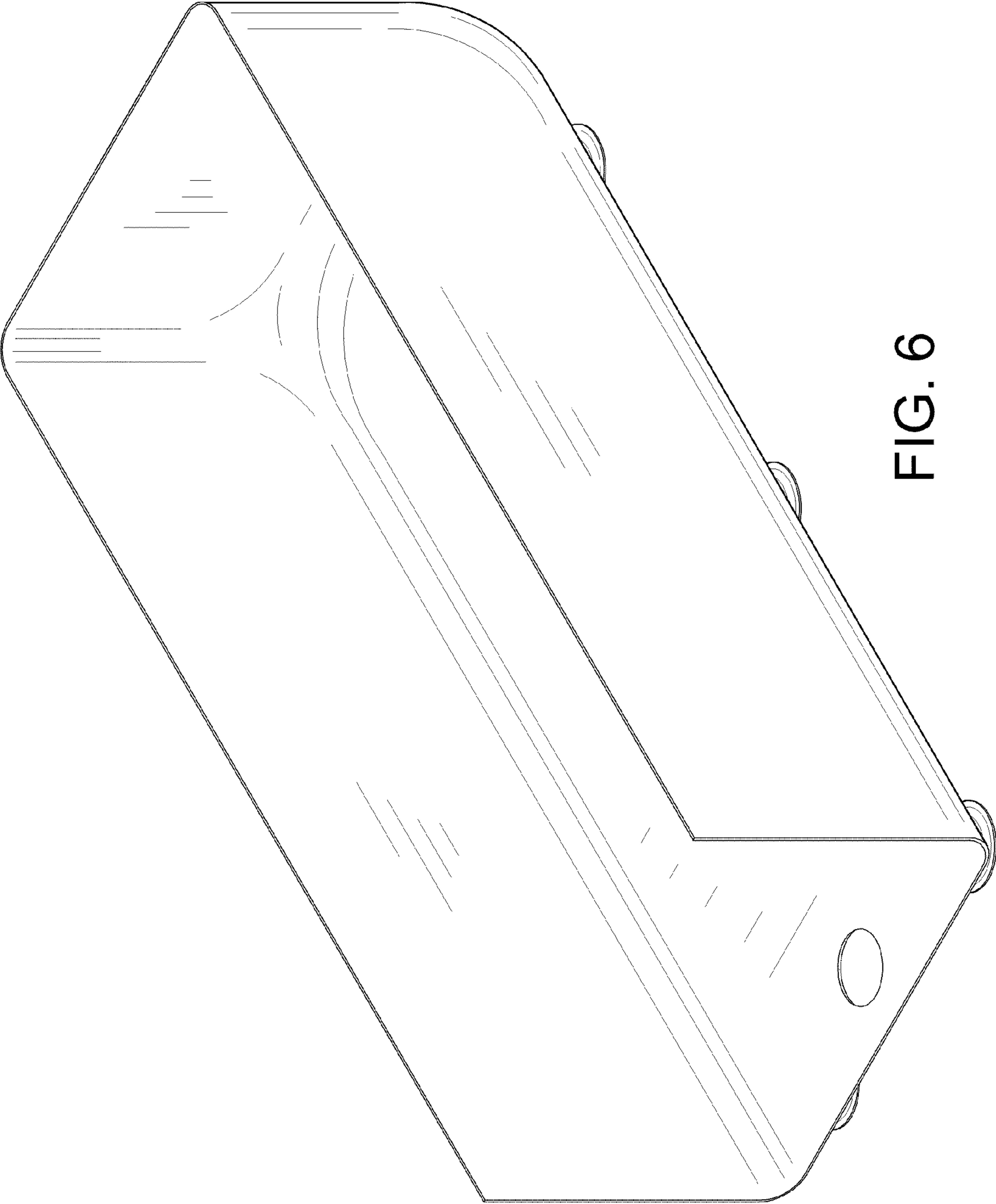


FIG. 6