



US00D653736S

(12) **United States Design Patent**
Niehaus et al.

(10) **Patent No.:** **US D653,736 S**
(45) **Date of Patent:** **** Feb. 7, 2012**

(54) **SINK WITH INTEGRATED MOUNTING FLANGE**

(76) Inventors: **Eric Niehaus**, Vincennes, IN (US);
Mark Webster, Millersville, MD (US)

(**) Term: **14 Years**

(21) Appl. No.: **29/403,098**

(22) Filed: **Sep. 30, 2011**

Related U.S. Application Data

(63) Continuation of application No. 29/393,765, filed on Jun. 9, 2011.

(51) **LOC (9) Cl.** **23-02**

(52) **U.S. Cl.** **D23/290**

(58) **Field of Classification Search** D23/284-28,
D23/291, 292, 289, 293.1; 4/619
See application file for complete search history.

(56) **References Cited**

U.S. PATENT DOCUMENTS

D547,838 S *	7/2007	Plikuhn	D23/290
D580,531 S	11/2008	Cusimano	
D580,532 S	11/2008	Cusimano	
D586,445 S	2/2009	Ziemann et al.	
7,698,753 B2	4/2010	Jones et al.	
D625,791 S	10/2010	Cusimano	
D626,203 S	10/2010	Cusimano	
D634,826 S *	3/2011	Booth	D23/290
D635,228 S	3/2011	Eilmus et al.	
2009/0144893 A1	6/2009	Cusimano	

FOREIGN PATENT DOCUMENTS

WO PCT/US 08/85778 1/2009
WO WO 2009/073873 A1 6/2009

OTHER PUBLICATIONS

Picture of sink.

* cited by examiner

Primary Examiner — Robert Delehanty

(74) *Attorney, Agent, or Firm* — Taft Stettinius & Hollister LLP

(57) **CLAIM**

We claim the ornamental design for a sink with integrated mounting flange, as shown and described.

DESCRIPTION

FIG. 1 is an elevated perspective view of a sink with integrated mounting flange, showing our new design, from the left front;

FIG. 2 is a frontal view thereof;

FIG. 3 is a rear view thereof;

FIG. 4 is a right profile view thereof;

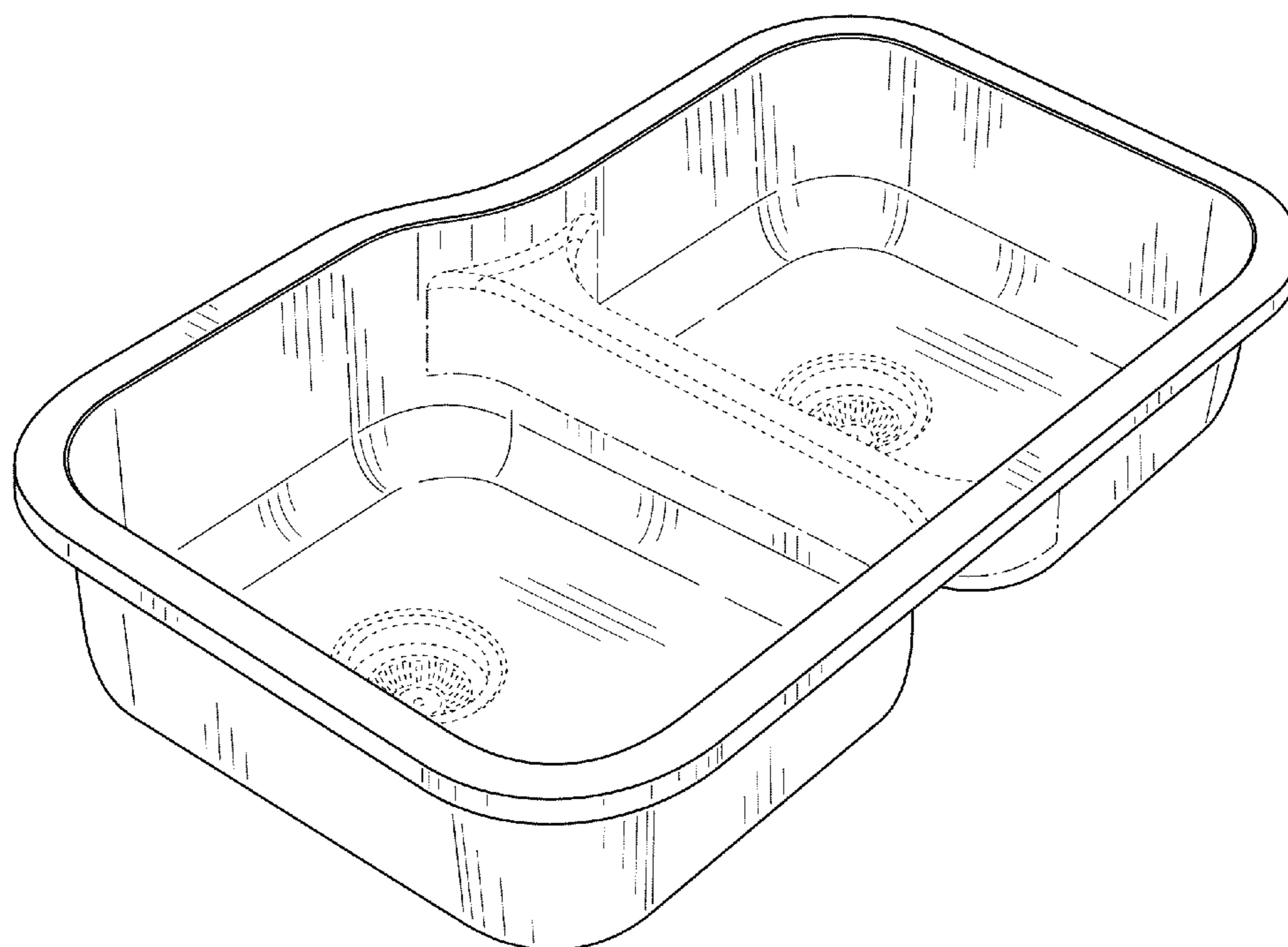
FIG. 5 is a left profile view thereof;

FIG. 6 is a top view thereof; and,

FIG. 7 is a bottom view thereof.

The broken lines showing certain features are for illustrative purposes only and form no part of the claimed design.

1 Claim, 4 Drawing Sheets



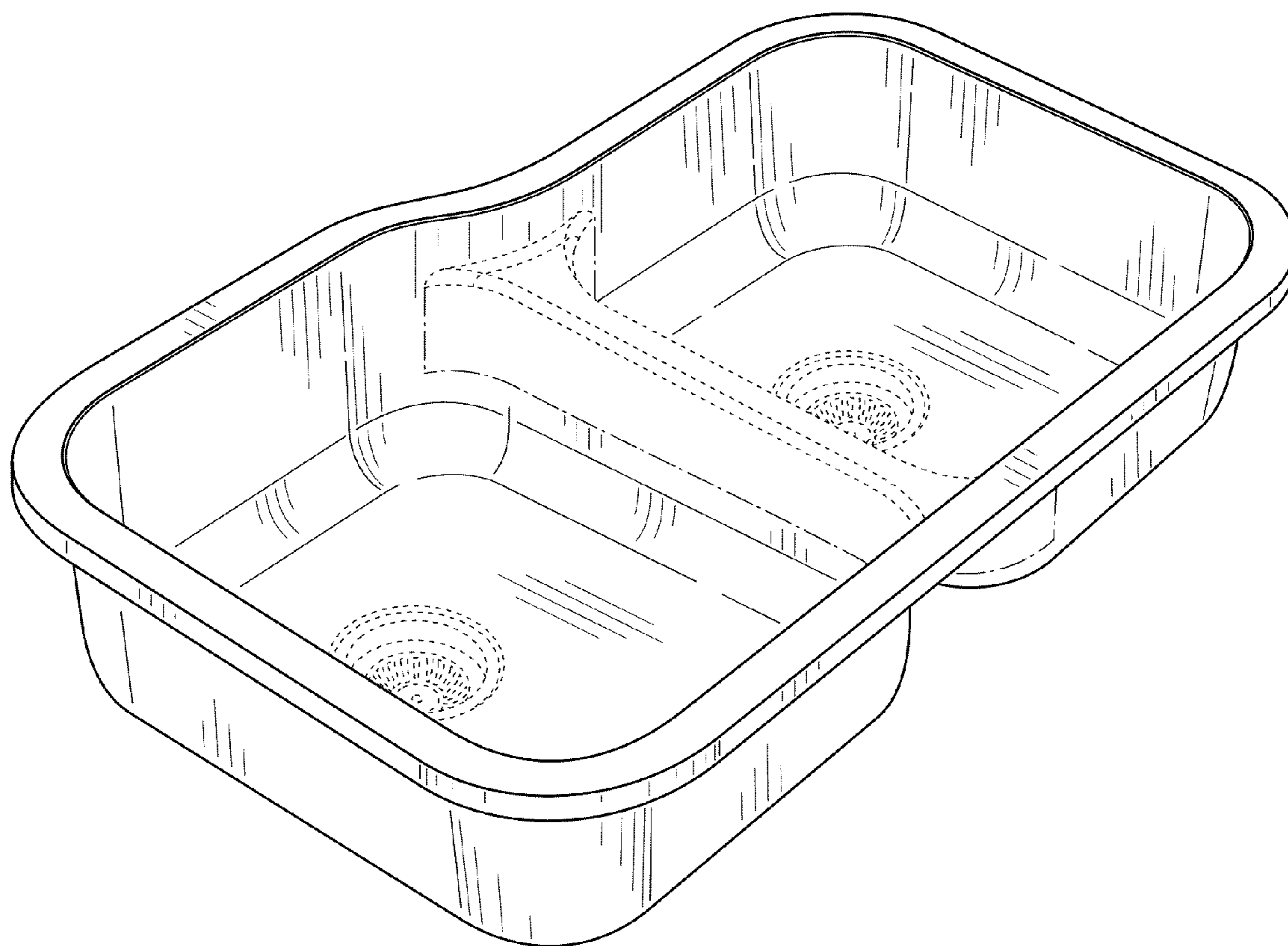


FIG. 1

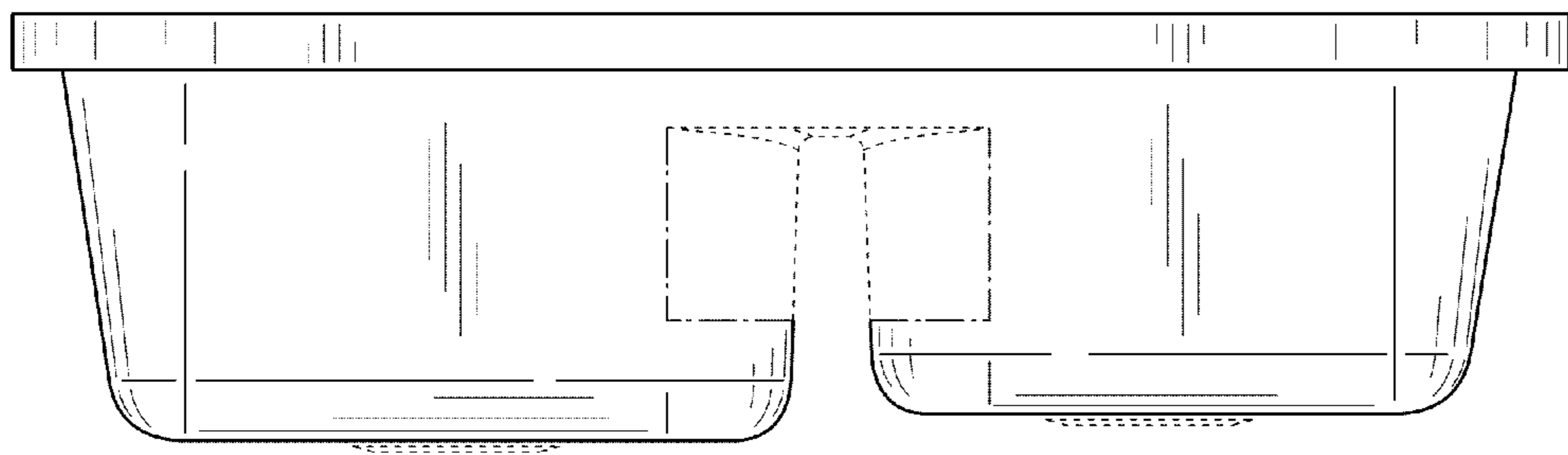


FIG. 2

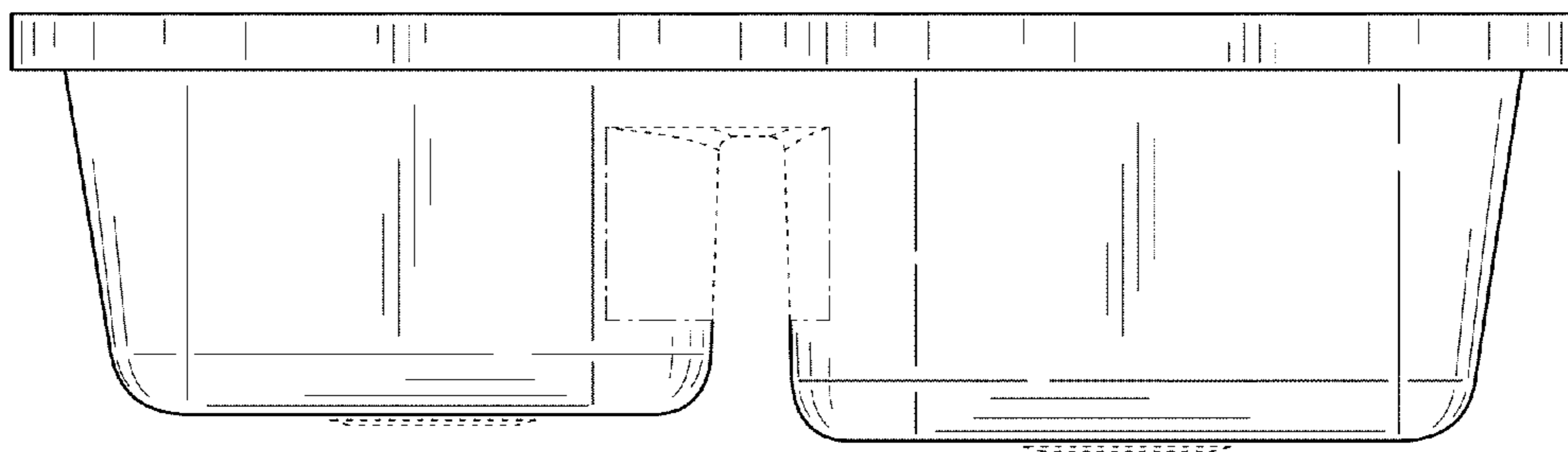


FIG. 3

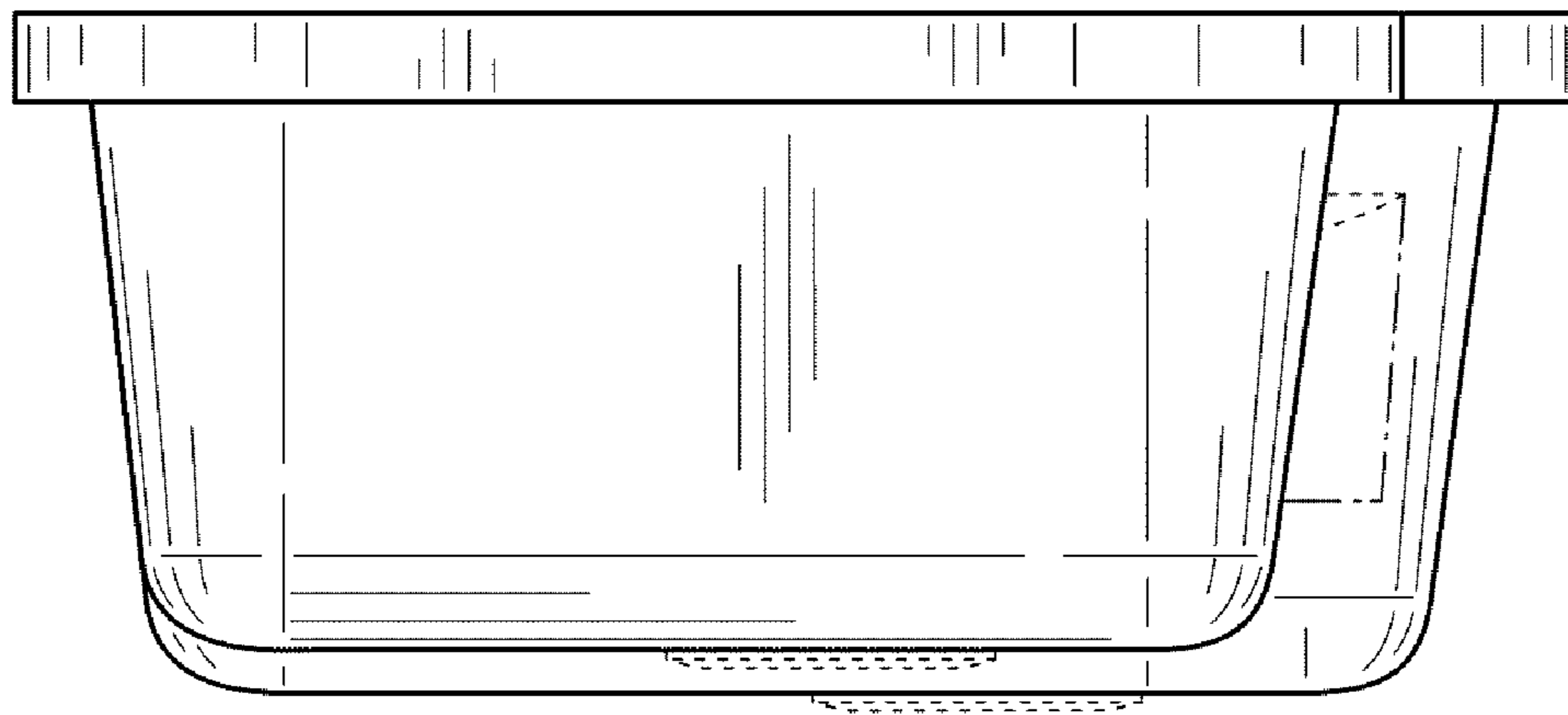


FIG. 4

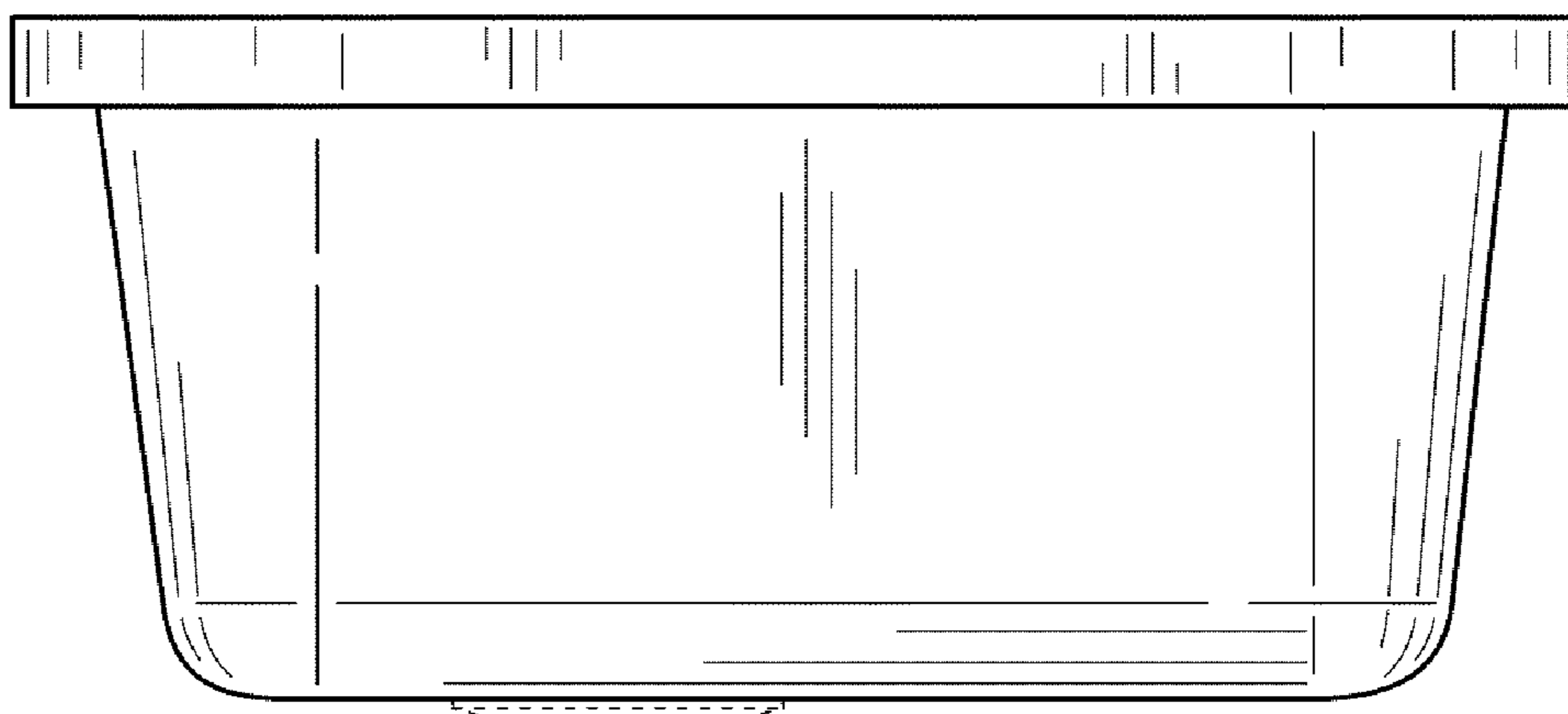


FIG. 5

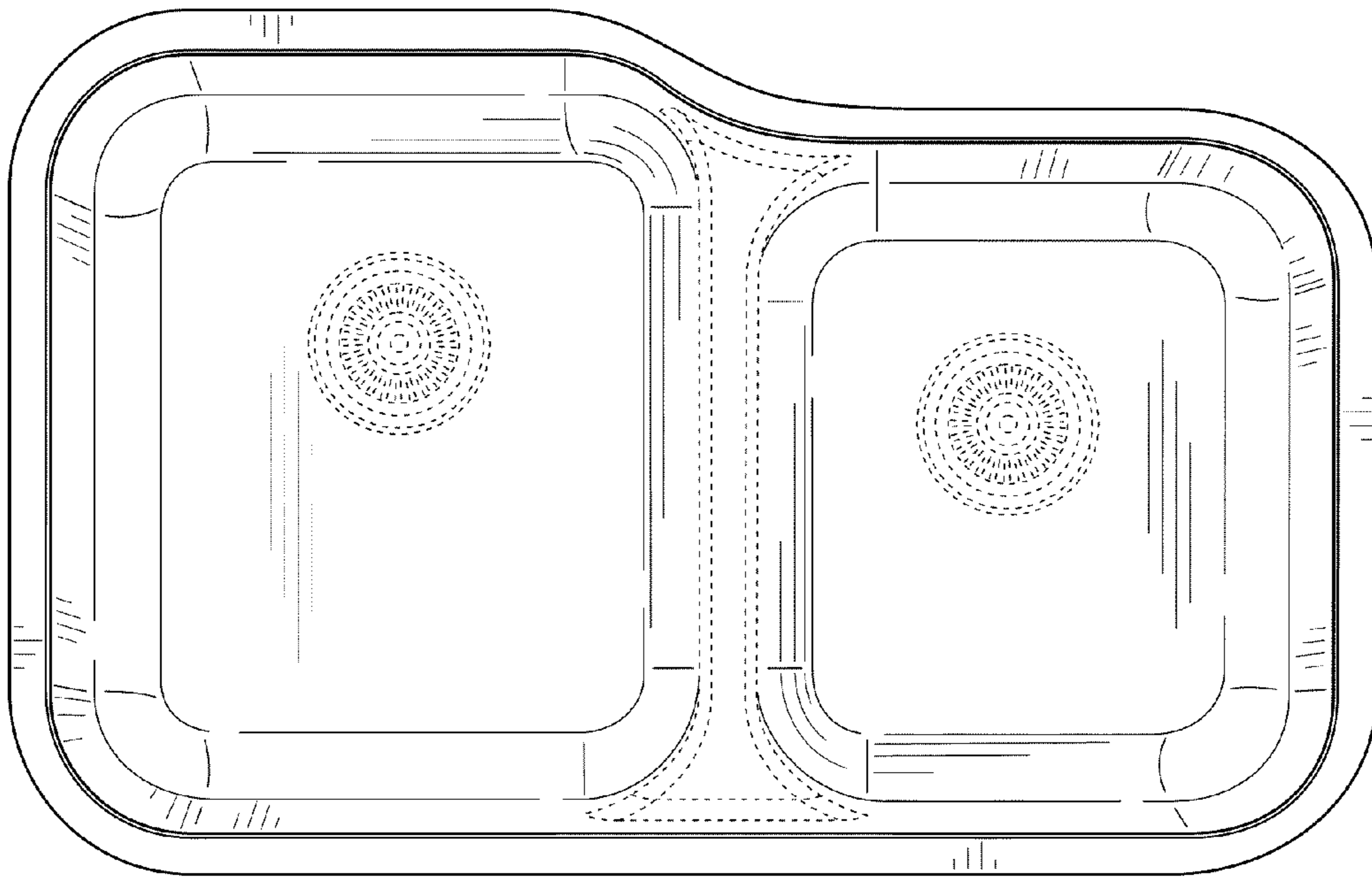


FIG. 6

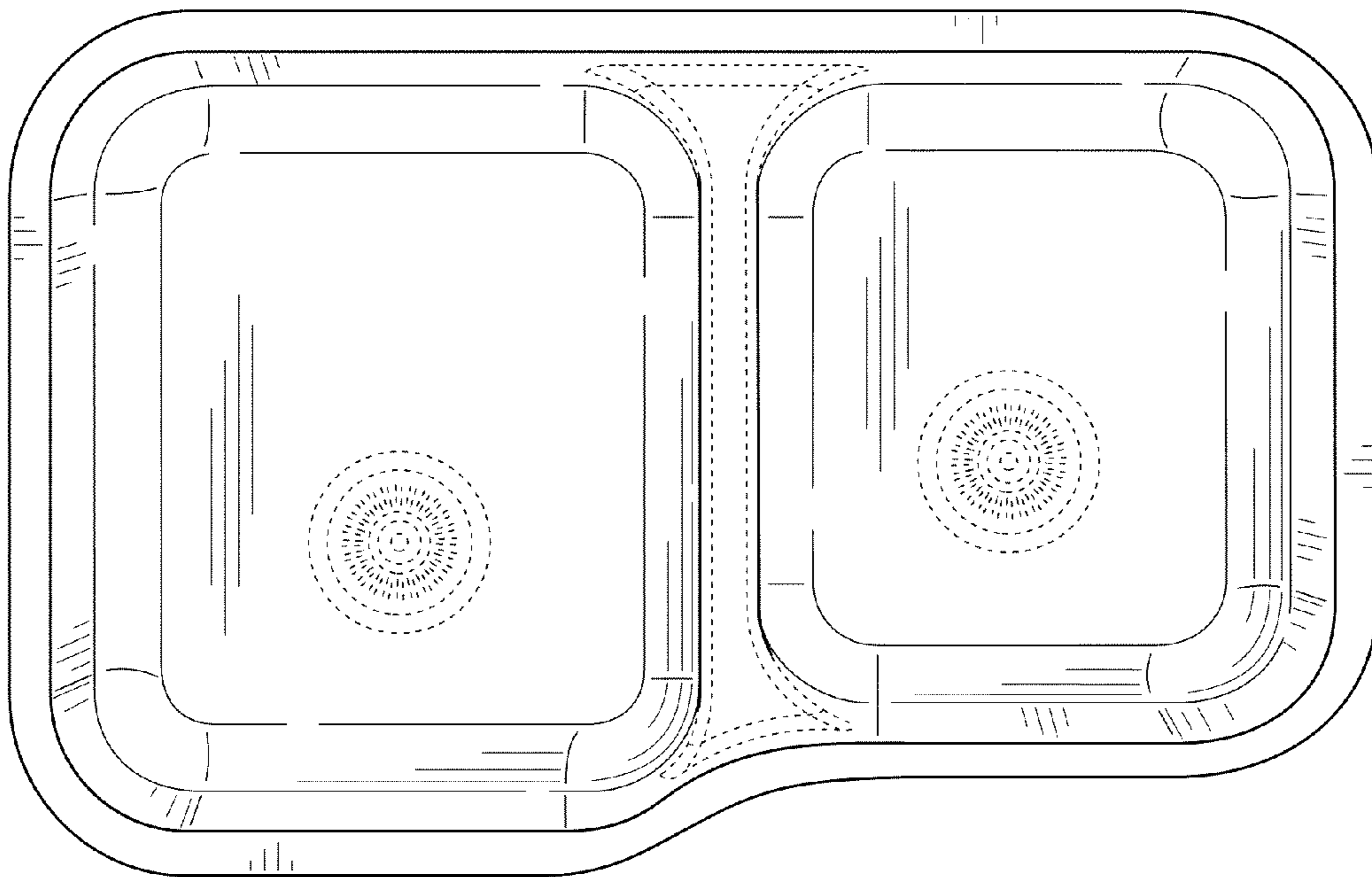


FIG. 7