



US00D653731S

(12) **United States Design Patent**  
**Bailey**

(10) **Patent No.:** **US D653,731 S**

(45) **Date of Patent:** **\*\* Feb. 7, 2012**

(54) **BUTLER FAUCET**

(75) Inventor: **Jordan Bailey**, Carmel, IN (US)

(73) Assignee: **Masco Corporation of Indiana**,  
Indianapolis, IN (US)

(\*\*) Term: **14 Years**

(21) Appl. No.: **29/389,846**

(22) Filed: **Apr. 18, 2011**

(51) **LOC (9) Cl.** ..... **23-01**

(52) **U.S. Cl.** ..... **D23/238**

(58) **Field of Classification Search** ..... D23/238,  
D23/241–243, 250, 252, 254, 255, 257; 4/676–678;  
137/801

See application file for complete search history.

(56) **References Cited**

U.S. PATENT DOCUMENTS

D519,190 S *	4/2006	Lord	.....	D23/238
D566,811 S *	4/2008	Zhang	.....	D23/238
D567,909 S *	4/2008	Schonherr et al.	.....	D23/238
D624,158 S *	9/2010	Roy	.....	D23/238

\* cited by examiner

*Primary Examiner* — Robert Delehanty

(74) *Attorney, Agent, or Firm* — Edgar A. Zarins; Nirav D. Parikh; Lora J. Graentzdoerffer

(57) **CLAIM**

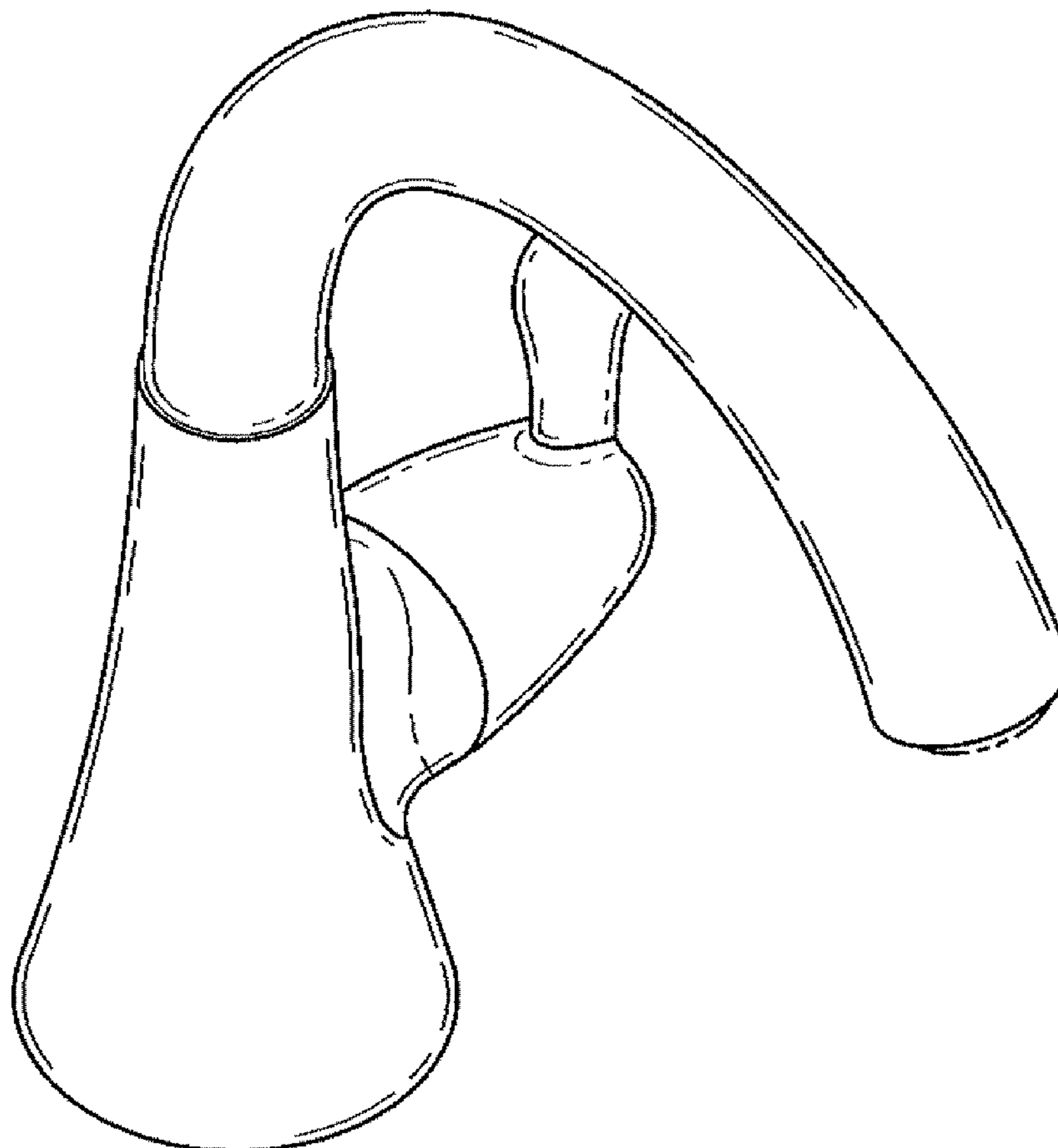
The ornamental design for a butler faucet, as shown and described.

**DESCRIPTION**

FIG. 1 is a perspective view of a butler faucet showing my new design;  
FIG. 2 is a front elevational view thereof;  
FIG. 3 is a rear view thereof;  
FIG. 4 is a right side view thereof;  
FIG. 5 is a left side view thereof;  
FIG. 6 is a top plan view thereof; and,  
FIG. 7 is a bottom plan view thereof.

The broken line showing the end cap is included for the purpose of illustrating a portion of the faucet that forms no part of the claimed design.

**1 Claim, 3 Drawing Sheets**



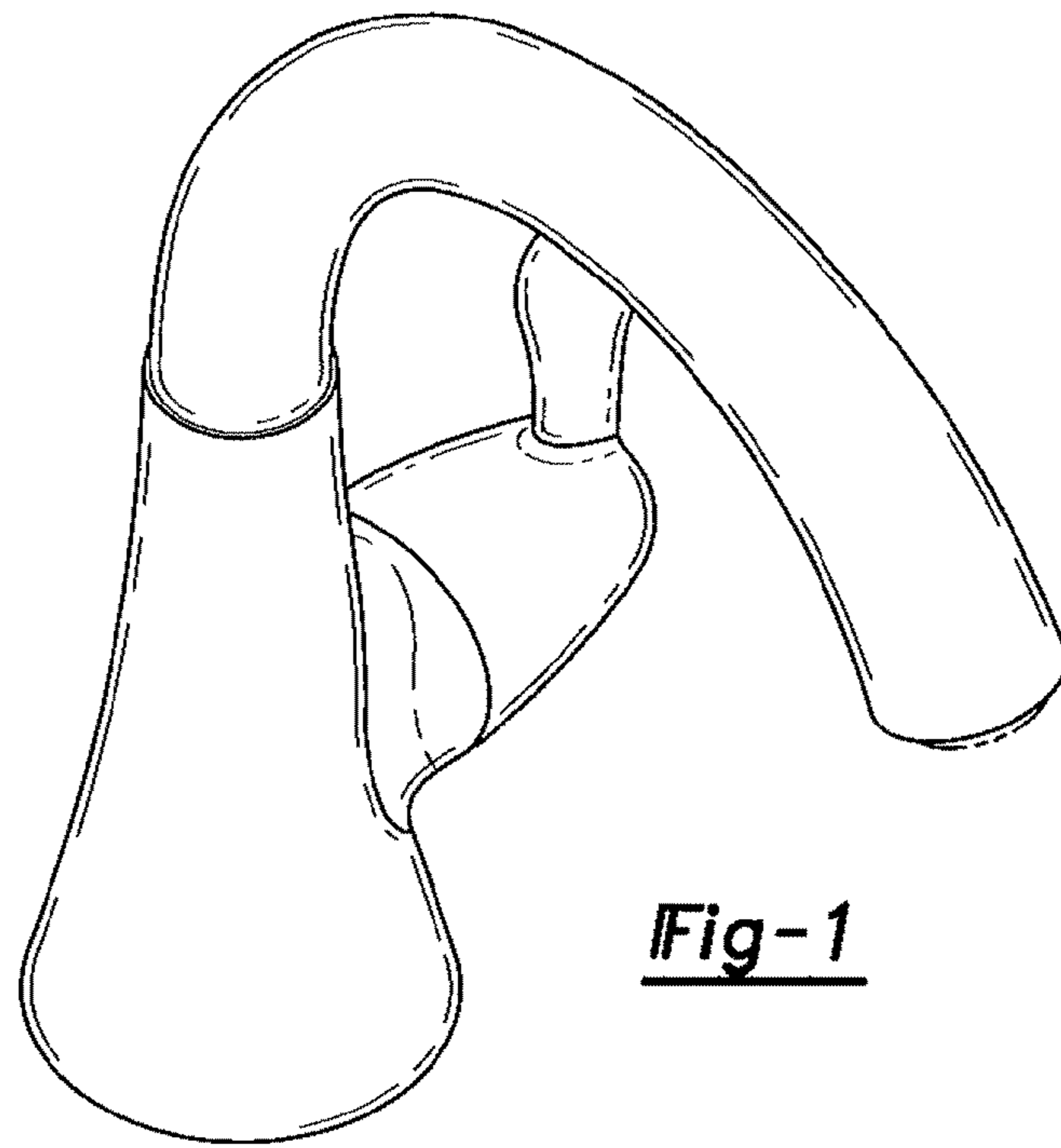


Fig-1

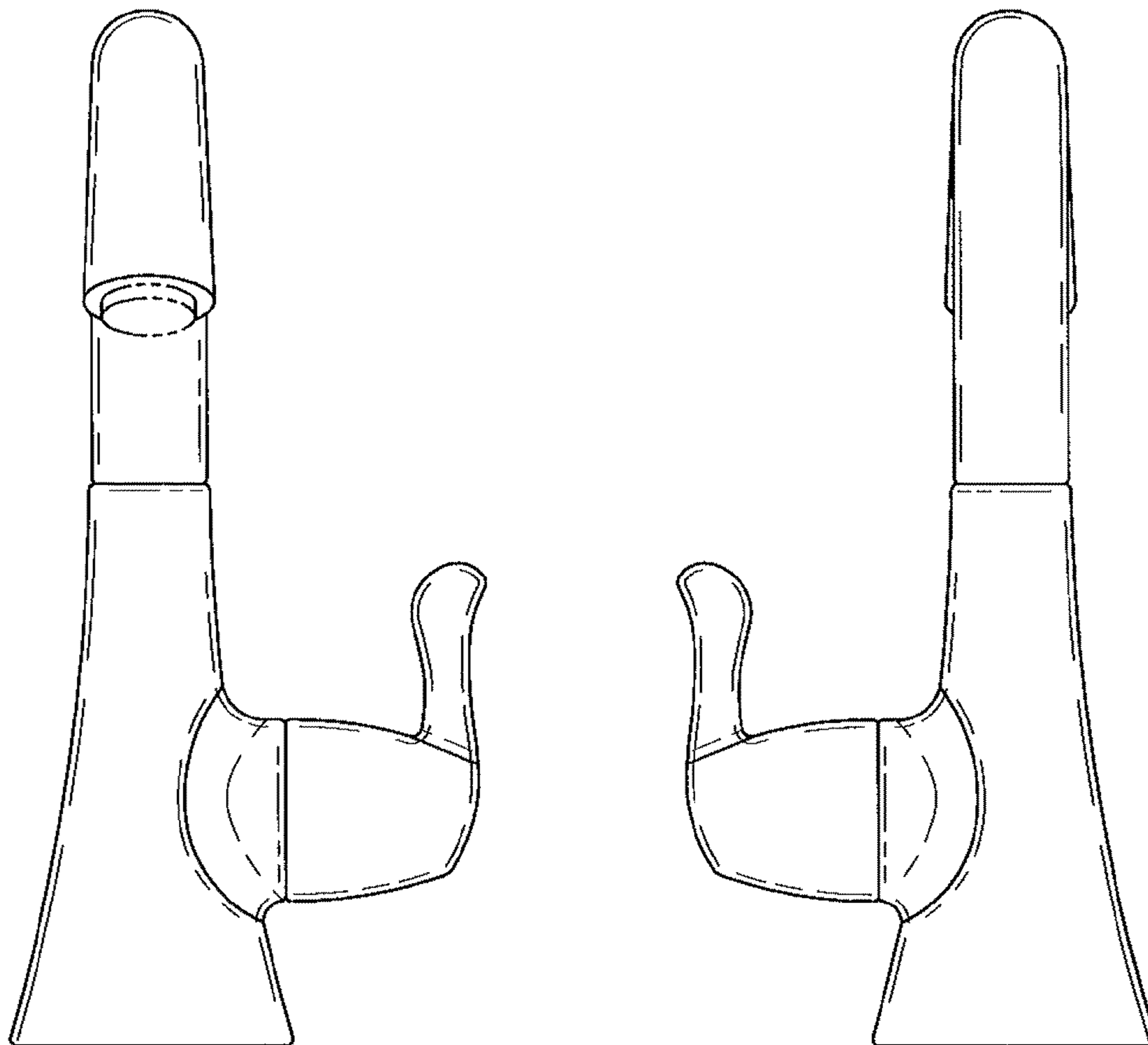


Fig-2

Fig-3

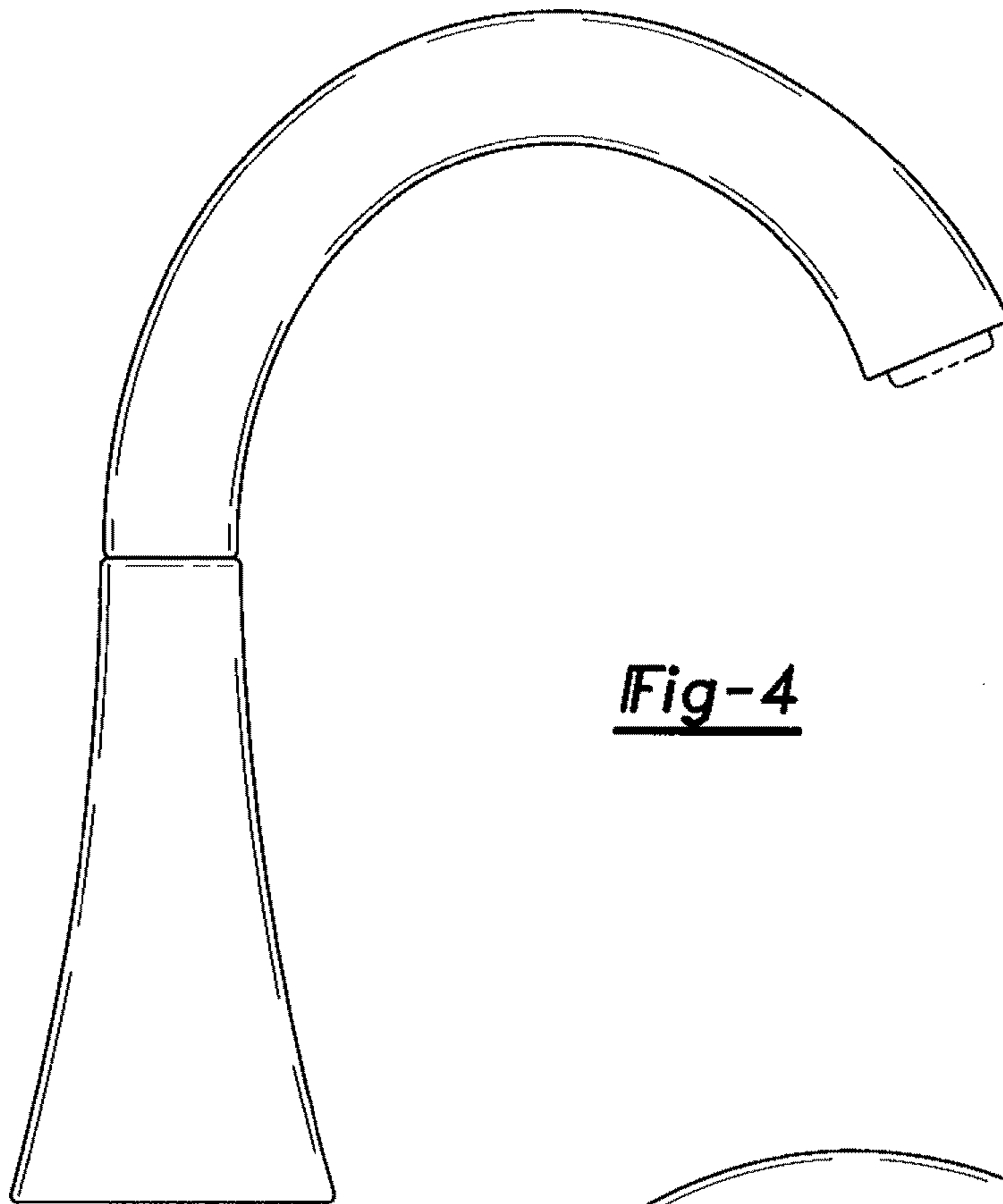


Fig-4

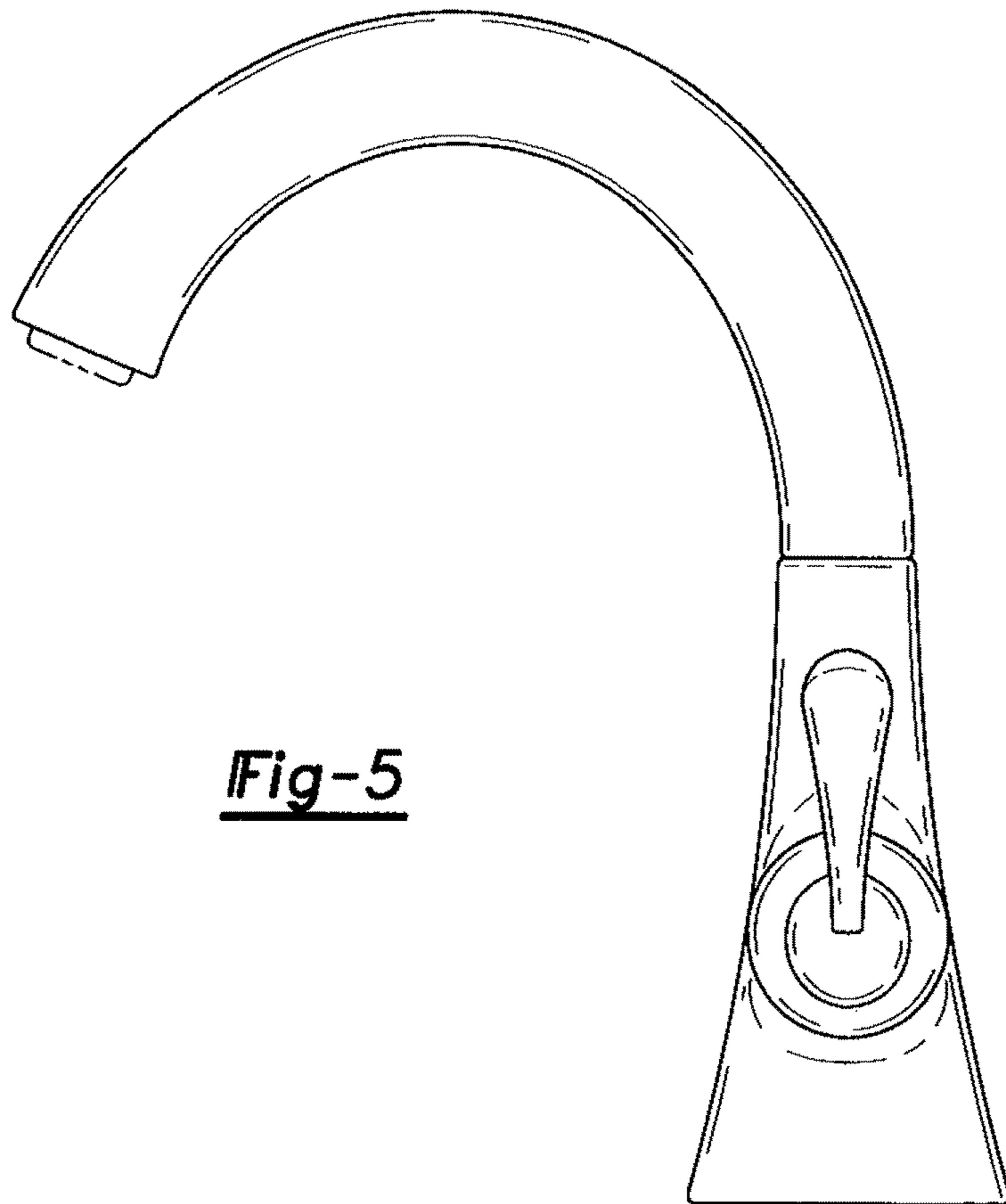


Fig-5

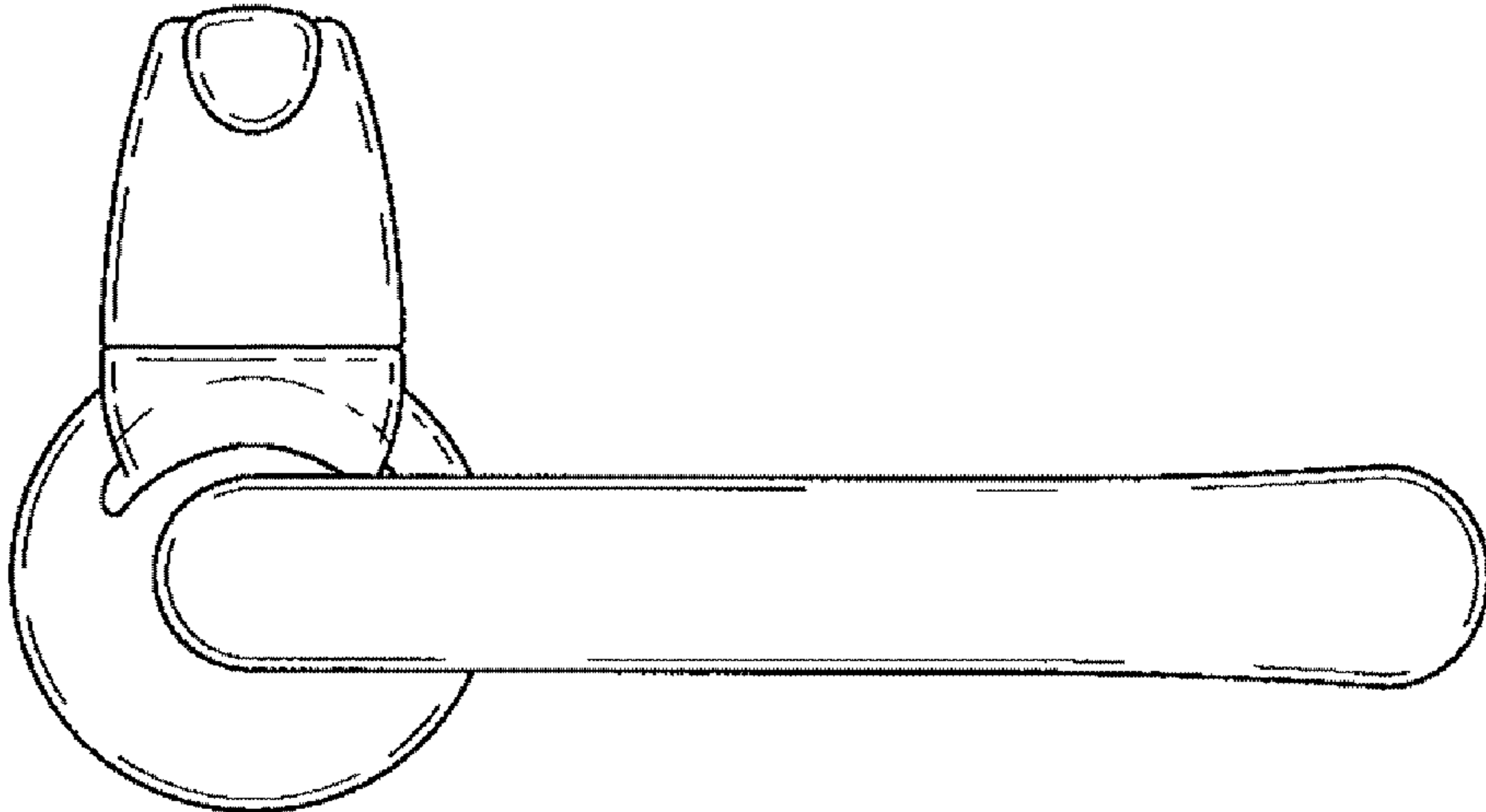


Fig-6

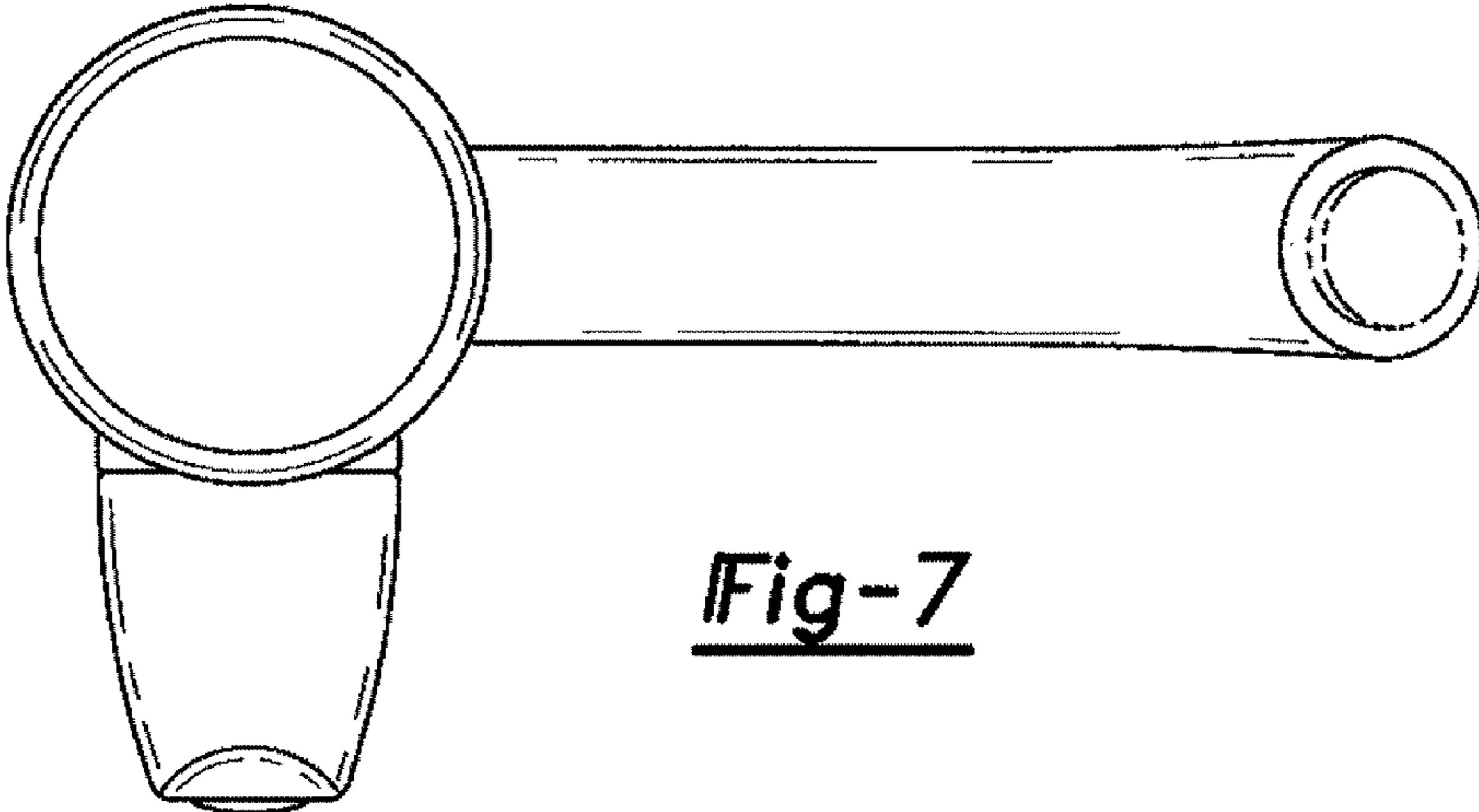


Fig-7