



US00D653727S

(12) **United States Design Patent**
Catanzaro et al.

(10) **Patent No.:** **US D653,727 S**
(45) **Date of Patent:** **** *Feb. 7, 2012**

(54) **PUMP VAULT HOUSING**

(75) Inventors: **Michael D. Catanzaro**, Baton Rouge, LA (US); **Raleigh Lee Cox**, Baton Rouge, LA (US); **Christopher Edward Cox**, Denham Springs, LA (US); **Jason J. Davis**, Ashland, OH (US); **Robert S. Jones**, Mansfield, OH (US)

(73) Assignee: **Pentair Pump Group, Inc.**, Golden Valley, MN (US)

(*) Notice: This patent is subject to a terminal disclaimer.

(**) Term: **14 Years**

(21) Appl. No.: **29/279,112**

(22) Filed: **Apr. 19, 2007**

(51) **LOC (9) Cl.** **23-01**

(52) **U.S. Cl.** **D23/233**

(58) **Field of Classification Search** D23/233-237, D23/244-249; 137/625.48; 251/14; 62/222-225, 62/197, 115, 527, 210; 236/66, 92 B; 285/189, 285/208, 211, 368

See application file for complete search history.

(56) **References Cited**

U.S. PATENT DOCUMENTS

D278,739	S	*	5/1985	Galloway	D23/233
D351,897	S	*	10/1994	Keeslar	D23/233
D513,786	S	*	1/2006	Montano et al.	D23/233
D518,874	S	*	4/2006	Takeda et al.	D23/233
D567,068	S	*	4/2008	Barton	D8/346
D600,318	S	*	9/2009	Parsons et al.	D23/233
D600,782	S	*	9/2009	Parsons et al.	D23/233
D602,560	S	*	10/2009	Shimura et al.	D23/233
D602,565	S	*	10/2009	Nimberger	D23/233
D602,566	S	*	10/2009	Nimberger	D23/233

* cited by examiner

Primary Examiner — Austin Murphy

(74) *Attorney, Agent, or Firm* — Quarles & Brady LLP

(57) **CLAIM**

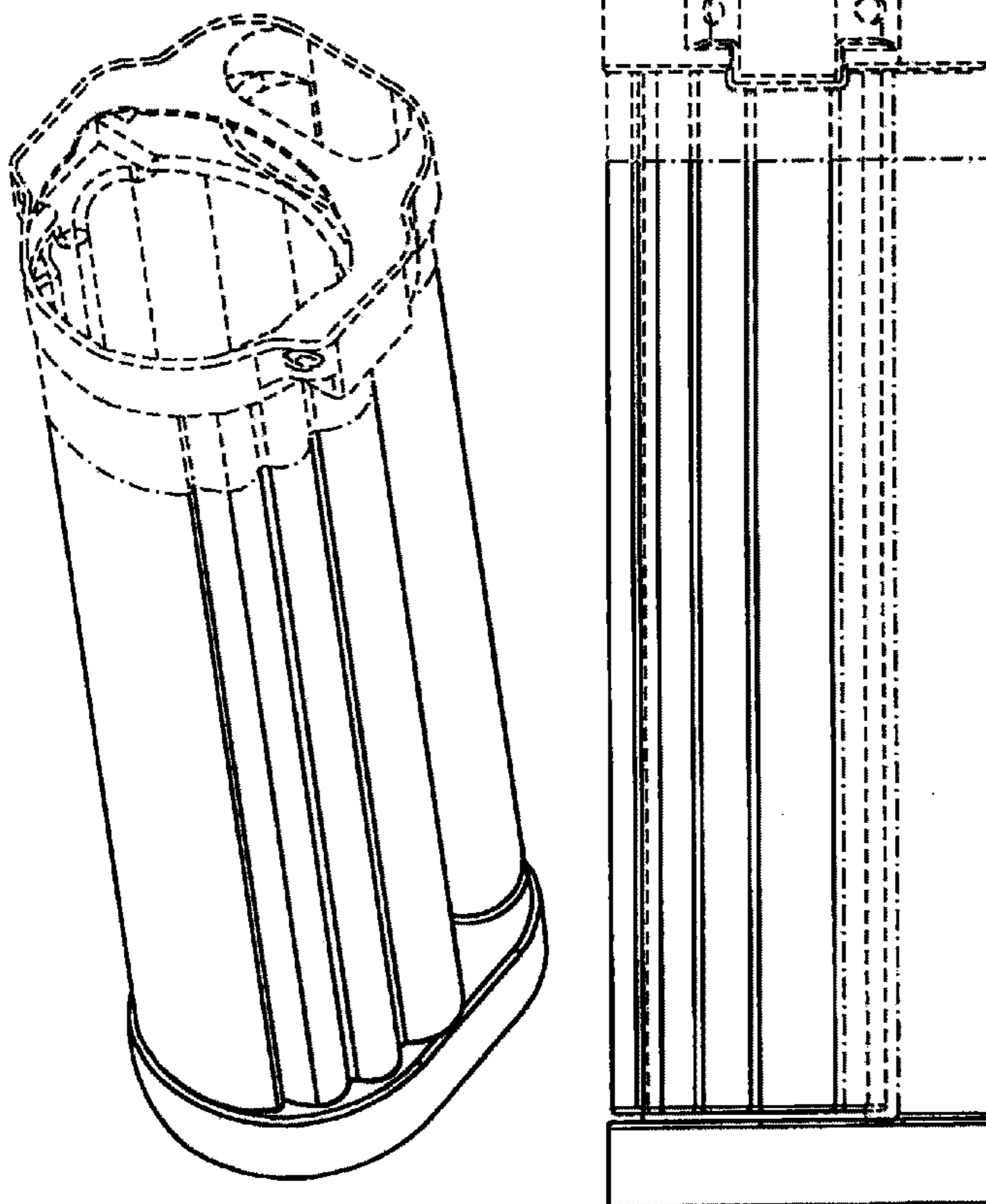
The ornamental design for a pump vault housing, as shown and described.

DESCRIPTION

FIG. 1 is a perspective view of the pump vault housing; and, FIG. 2 is a side view of the pump vault housing.

The broken lines shown in the drawings represent portions of the pump vault housing that form no part of the claimed design. The horizontal dash dot lines shown in FIGS. 1 and 2 represent the top boundary of the claimed design. The vertical dash dot lines shown in FIG. 2 represent the interior boundary of the claimed design.

1 Claim, 2 Drawing Sheets



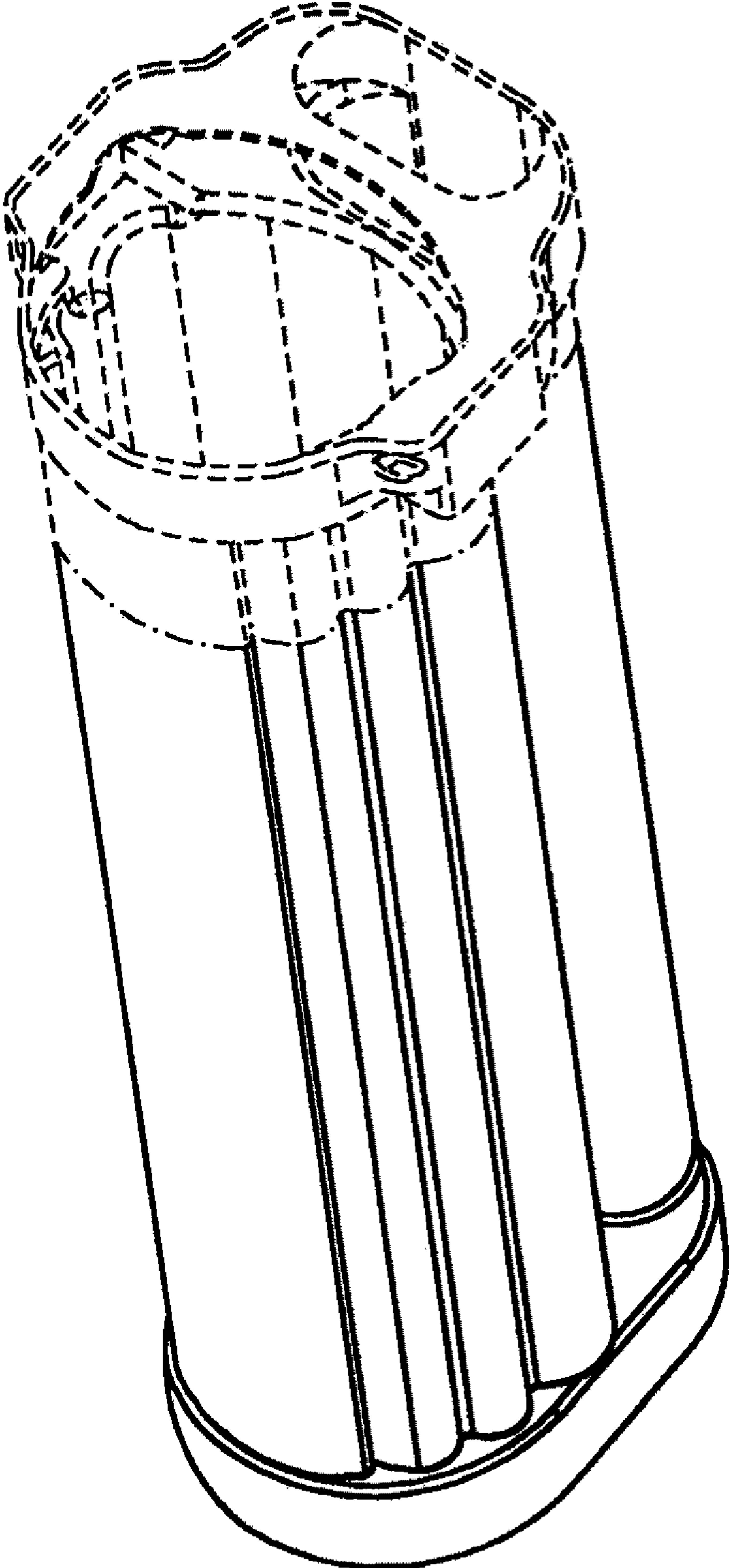


FIG. 1

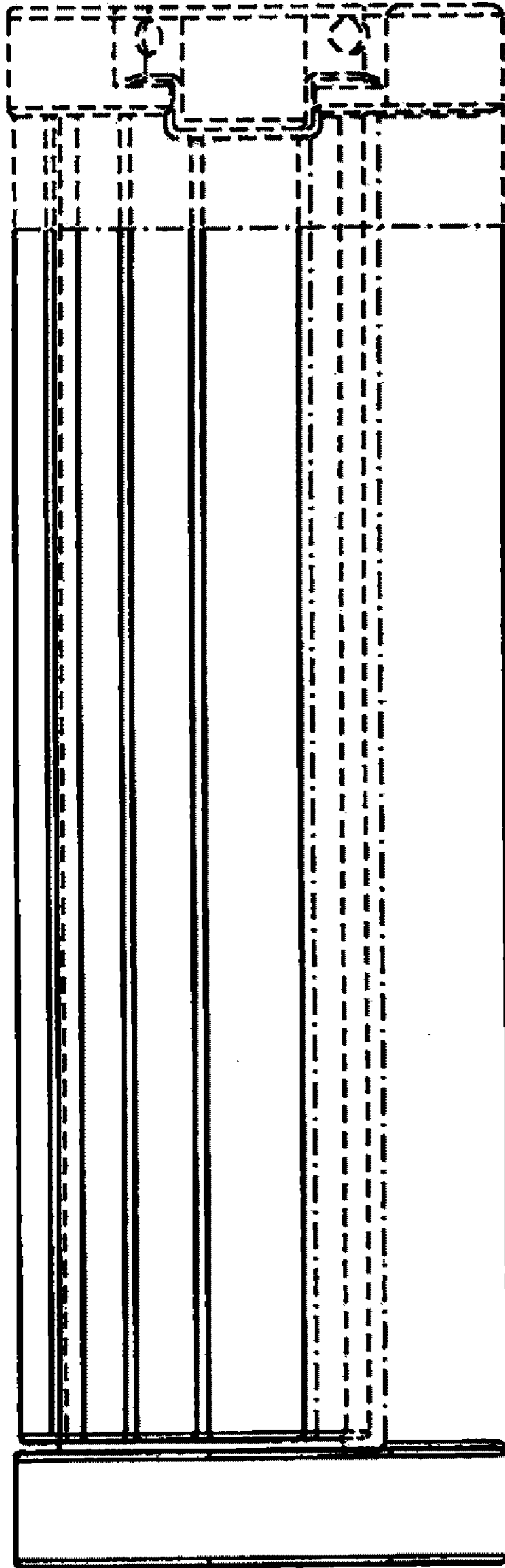


FIG. 2