



US00D653723S

(12) **United States Design Patent**
Rocco

(10) **Patent No.:** **US D653,723 S**

(45) **Date of Patent:** **** Feb. 7, 2012**

(54) **NOVELTY BUTTON**

(76) **Inventor:** **Ed Rocco**, Jacksonville, FL (US)

(**) **Term:** **14 Years**

(21) **Appl. No.:** **29/385,179**

(22) **Filed:** **Feb. 9, 2011**

(51) **LOC (9) Cl.** **21-03**

(52) **U.S. Cl.** **D21/812; D19/100**

(58) **Field of Classification Search** D21/811-813;
D19/65, 96, 100; D14/456; 362/103, 104,
362/612, 806, 812; 40/1.5; 273/161, 459
See application file for complete search history.

(56) **References Cited**

U.S. PATENT DOCUMENTS

4,215,388	A *	7/1980	Reimann	362/104
D282,380	S *	1/1986	King	D19/96
D305,022	S *	12/1989	Hallgren et al.	D13/171
D316,112	S *	4/1991	Windorski	D19/86
5,239,450	A *	8/1993	Wall	362/104
D537,480	S *	2/2007	Sullivan	D19/100
D582,498	S *	12/2008	Austin	D21/791
D606,595	S *	12/2009	Levy et al.	D21/405

D631,929	S *	2/2011	Doone et al.	D21/812
2002/0144885	A1 *	10/2002	Ushimaru	200/336
2005/0016823	A1 *	1/2005	Ali	200/11 R

* cited by examiner

Primary Examiner — Mitchell Siegel

(74) *Attorney, Agent, or Firm* — QuickPatents, Inc.; Kevin Prince

(57) **CLAIM**

I claim the ornamental design for a novelty button, as shown and described.

DESCRIPTION

FIG. 1 is a perspective view of a novelty button, showing the new design;

FIG. 2 is a front elevational view thereof;

FIG. 3 is a rear elevational view thereof;

FIG. 4 is a left-side elevational view thereof;

FIG. 5 is a right-side elevational view thereof;

FIG. 6 is a top plan view thereof; and,

FIG. 7 is a bottom plan view thereof.

The shading pattern on the top surface in FIGS. 1-6 represent the color green. The broken lines showing a speaker grill and battery compartment in FIG. 7 form no part of the claimed design.

1 Claim, 4 Drawing Sheets



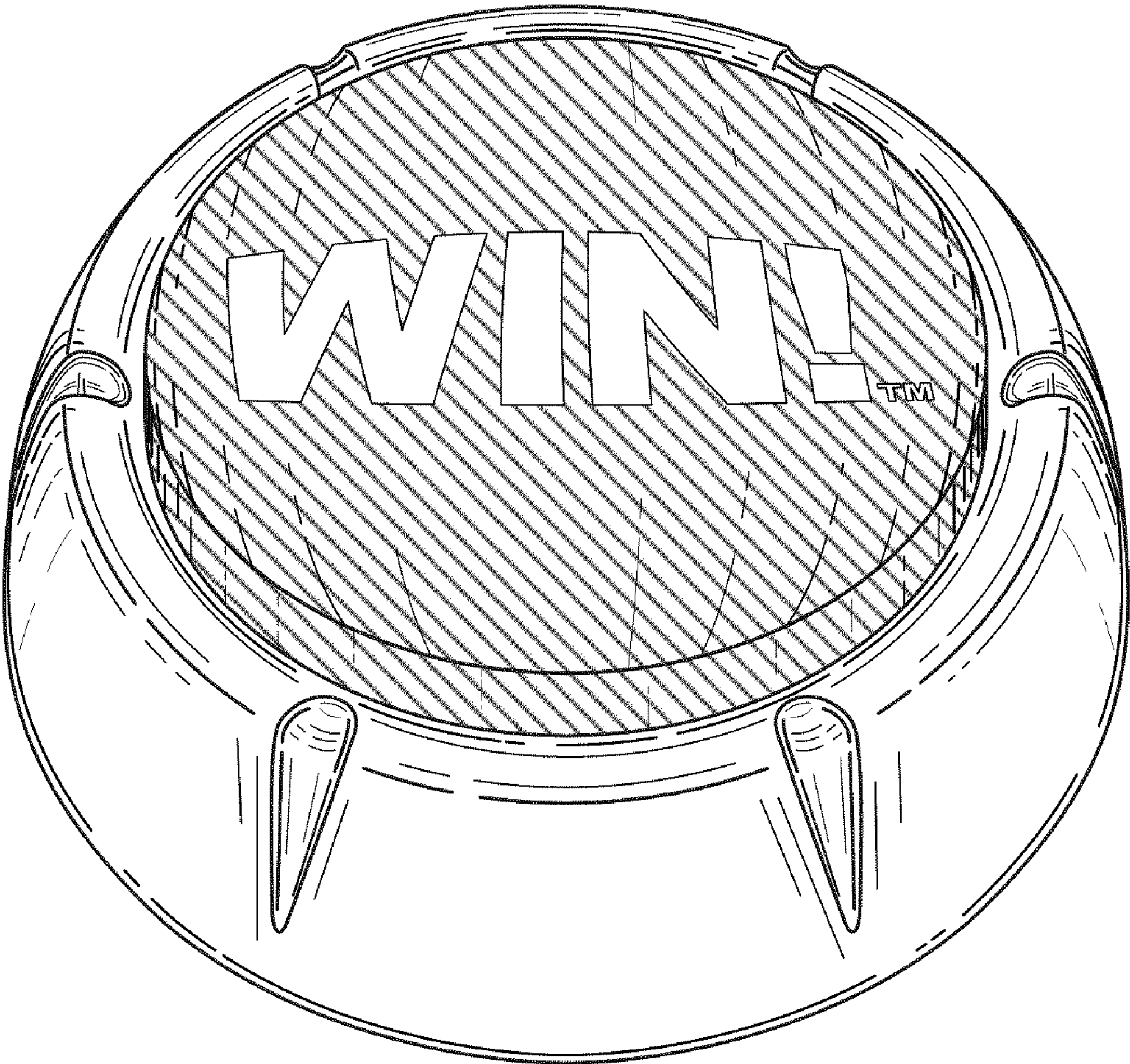


FIG. 1

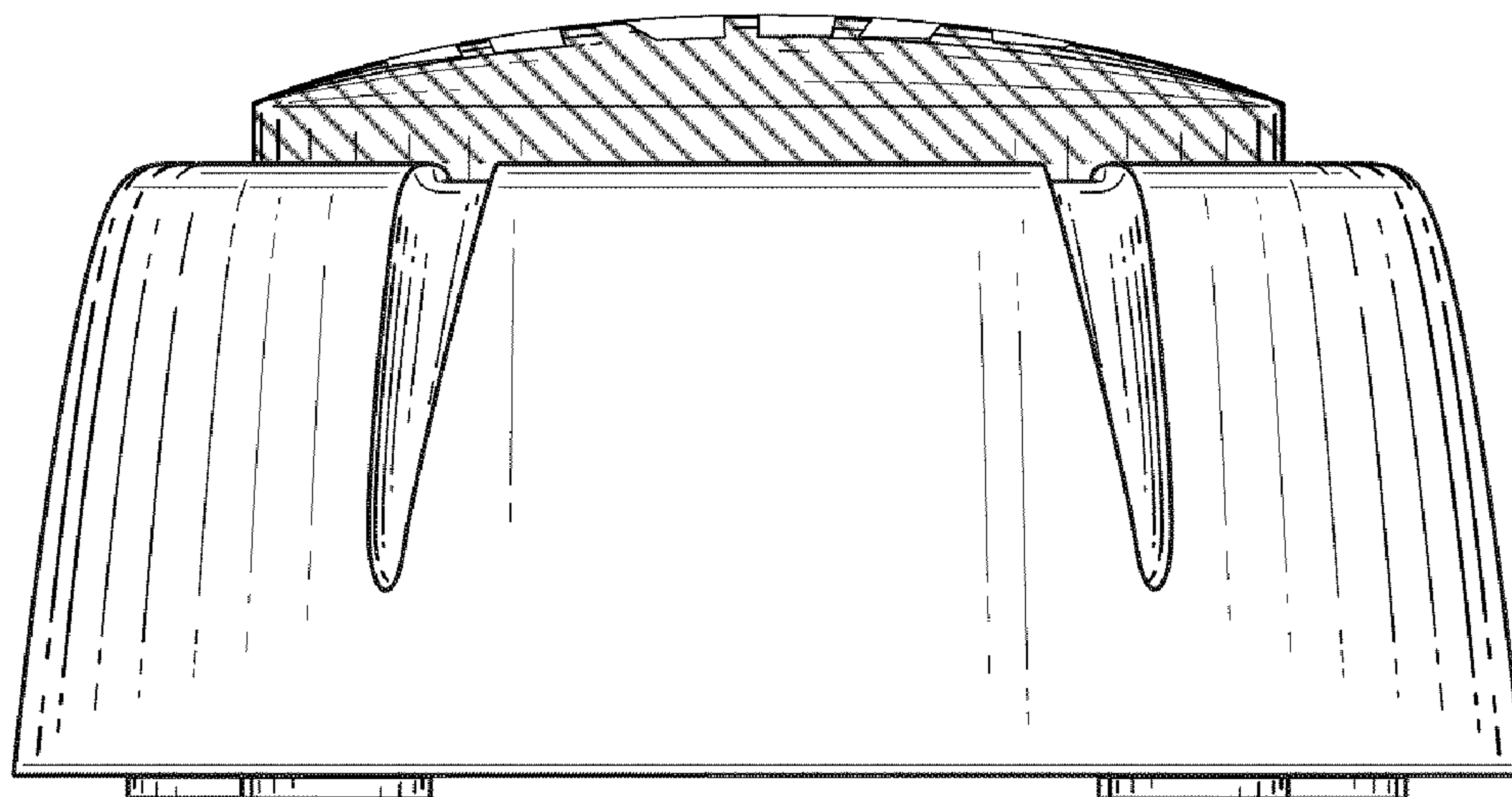


FIG. 2

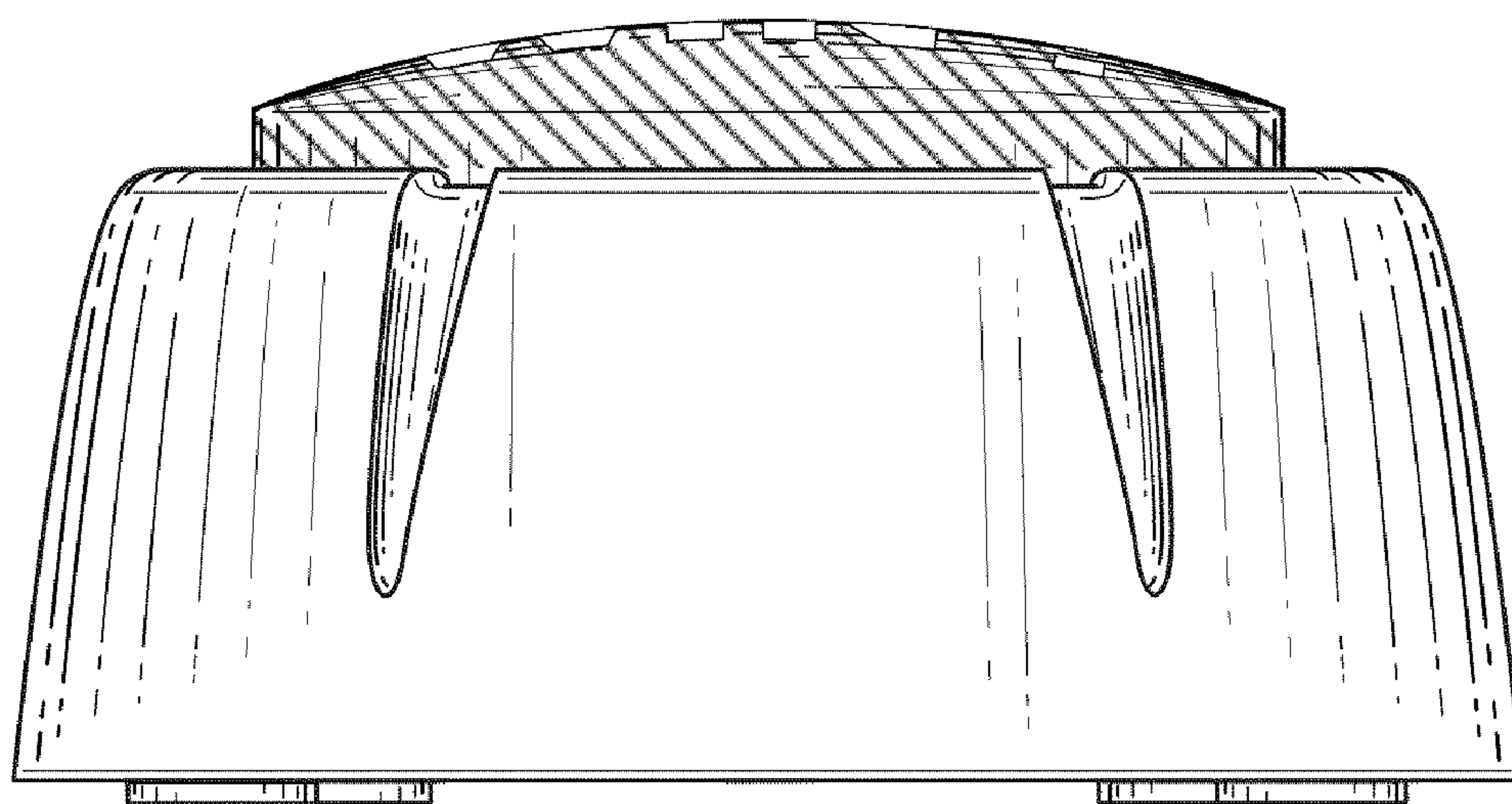


FIG. 3

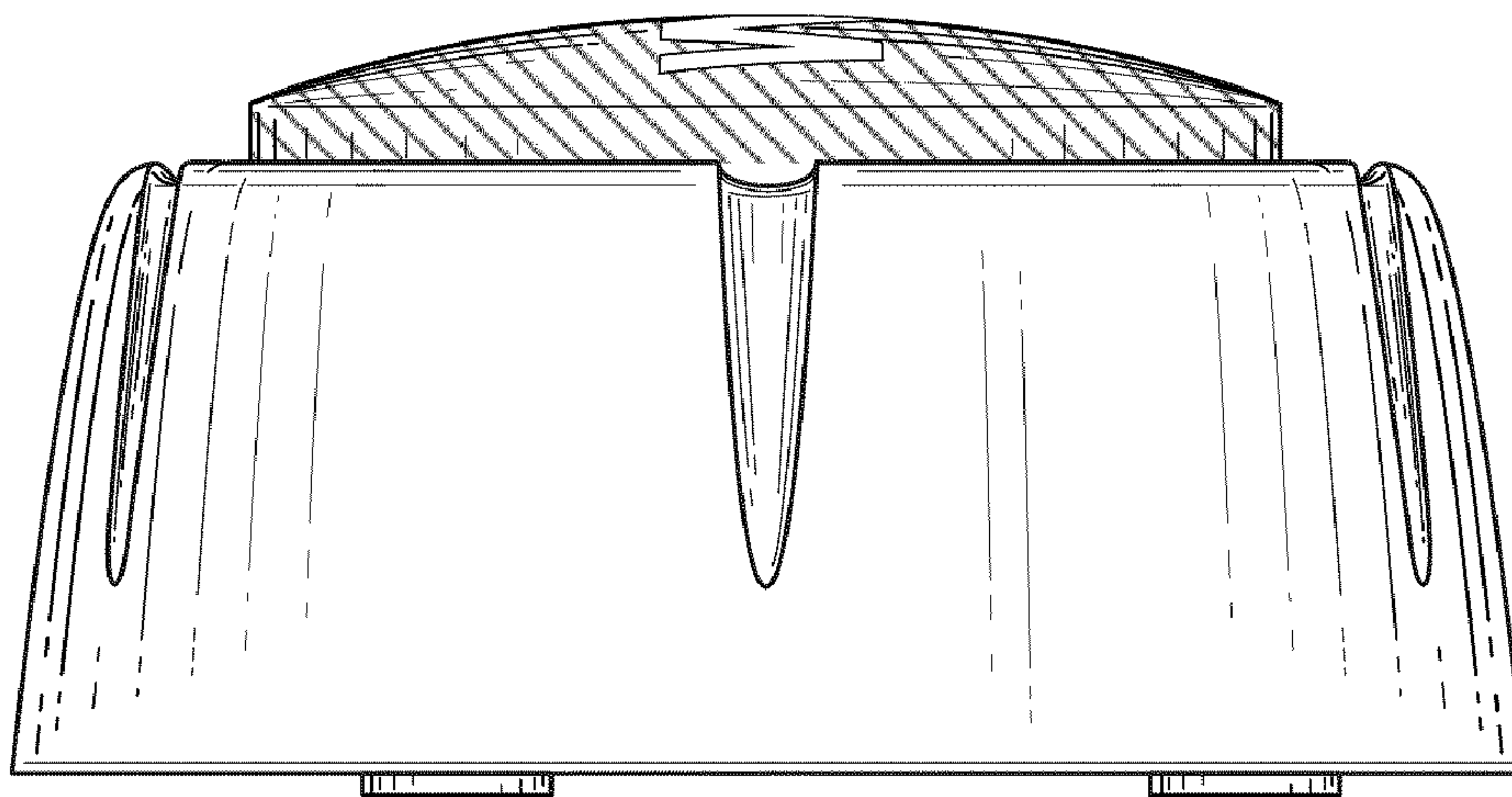


FIG. 4

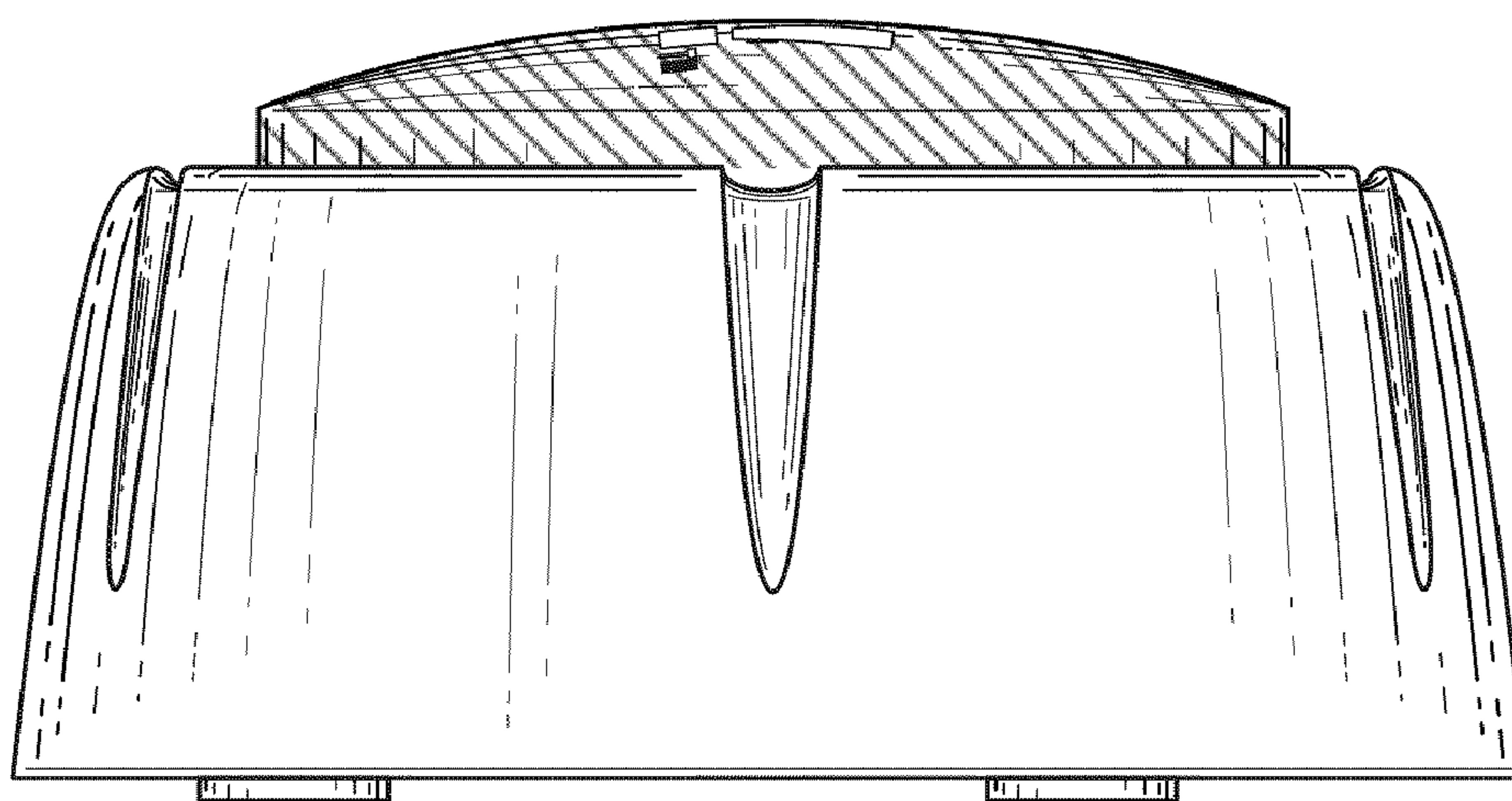


FIG. 5



FIG. 6

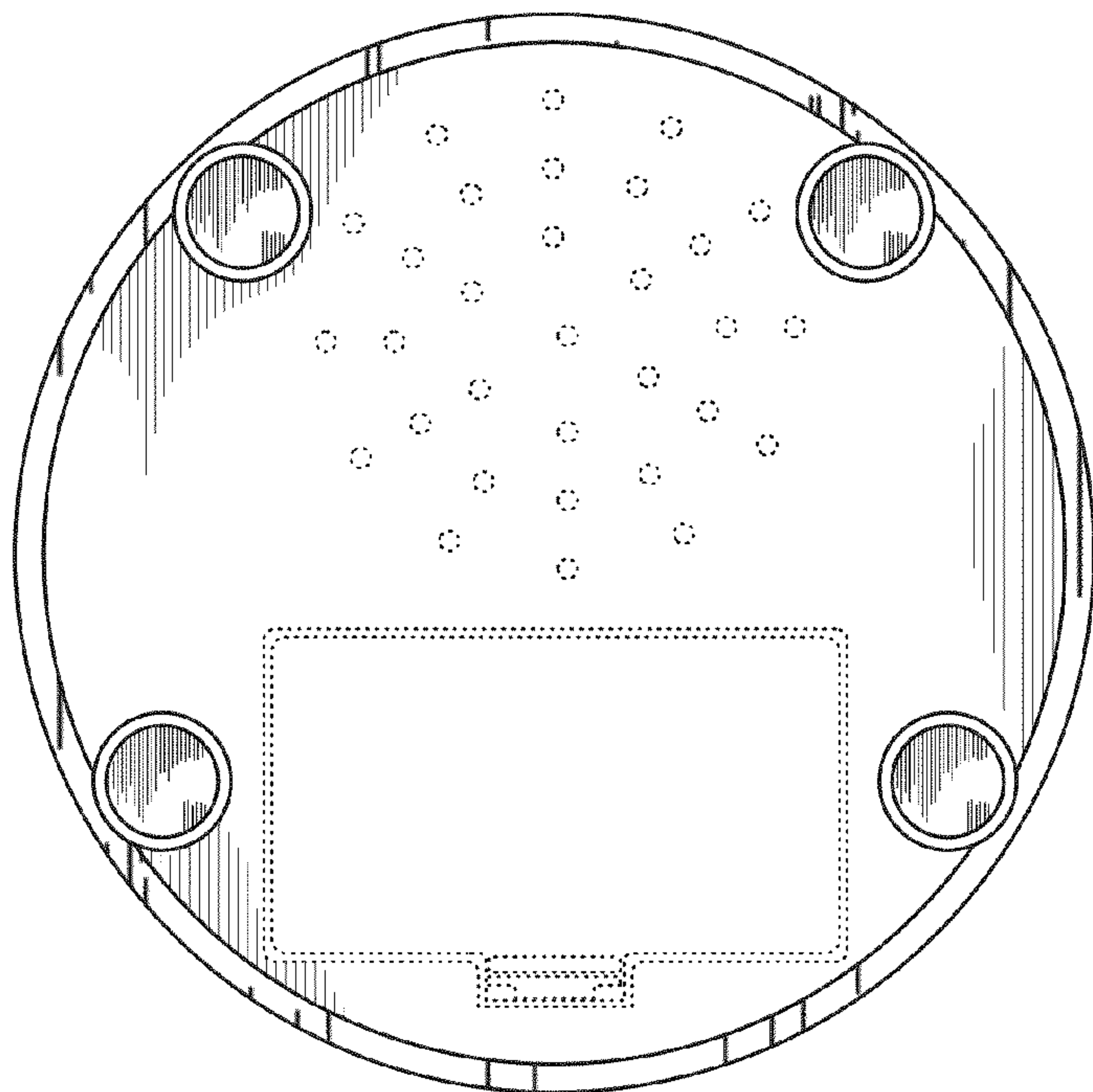


FIG. 7