



US00D653722S

(12) **United States Design Patent**
Morris, Jr. et al.

(10) **Patent No.:** **US D653,722 S**
(45) **Date of Patent:** **** Feb. 7, 2012**

(54) **COMBINED GOLF CLUB CLEANING
DEVICE WITH EXTENDABLE AND
RETRACTABLE CLIP**

(76) Inventors: **Charles B. Morris, Jr.**, San Anselmo,
CA (US); **Paul Kardel**, Greenbrae, CA
(US)

(**) Term: **14 Years**

(21) Appl. No.: **29/385,602**

(22) Filed: **Feb. 16, 2011**

(51) **LOC (9) Cl.** **21-02**

(52) **U.S. Cl.** **D21/796**

(58) **Field of Classification Search** D21/789,
D21/796; D3/215; D4/118, 119; 242/379-379.2,
242/400, 378.3; 473/406; 455/575.6, 128;
362/205

See application file for complete search history.

(56) **References Cited**

U.S. PATENT DOCUMENTS

D190,333	S	*	5/1961	Gunderson	D21/795
D191,498	S	*	10/1961	Chamberlain	D21/795
D292,753	S	*	11/1987	Clayton et al.	D21/795
D347,255	S	*	5/1994	Kerr et al.	D21/795
D347,872	S	*	6/1994	Lyman	D21/795
D348,500	S	*	7/1994	Mortenson et al.	D21/795
D376,880	S	*	12/1996	Liebscher	D32/35
D465,645	S	*	11/2002	Lombardo et al.	D3/215
D471,005	S		3/2003	Hastings		
D476,053	S	*	6/2003	Goserud	D21/789
6,641,390	B2	*	11/2003	Genuise	431/253
D485,981	S	*	2/2004	Romero	D3/215
D516,241	S	*	2/2006	Gaines et al.	D3/215
7,269,869	B1	*	9/2007	Ruffino	D21/795
7,452,100	B2	*	11/2008	Swartfager	362/205
7,555,802	B2	*	7/2009	Bohannon et al.	15/113
7,661,620	B2	*	2/2010	Fields	242/379
2007/0051842	A1	*	3/2007	Pryor	242/378.3
2007/0213104	A1	*	9/2007	Fields	455/575.6
2008/0265082	A1	*	10/2008	Angiuli	242/400
2009/0209369	A1	*	8/2009	Smith et al.	473/406
2010/0206976	A1	*	8/2010	Salentine et al.	242/379.2

* cited by examiner

Primary Examiner — Mitchell Siegel

(74) *Attorney, Agent, or Firm* — Patent Law Offices of
Michael E. Woods; Michael E. Woods

(57) **CLAIM**

The ornamental design for a combined golf club cleaning device with extendable and retractable clip, as shown and described.

DESCRIPTION

FIG. 1 is a rear perspective view of a combined golf club cleaning device with extendable and retractable clip showing our new design;

FIG. 2 is a front perspective view of the combined golf club cleaning device with extendable and retractable clip;

FIG. 3 is a top plan view of the combined golf club cleaning device with extendable and retractable clip;

FIG. 4 is a side elevational view of one side of the combined golf club cleaning device with extendable and retractable clip;

FIG. 5 is a front elevational view of the combined golf club cleaning device with extendable and retractable clip;

FIG. 6 is a bottom plan view of the combined golf club cleaning device with extendable and retractable clip;

FIG. 7 is a rear perspective view of a combined golf club cleaning device with extendable and retractable clip as attached to an extendable and retractable clip;

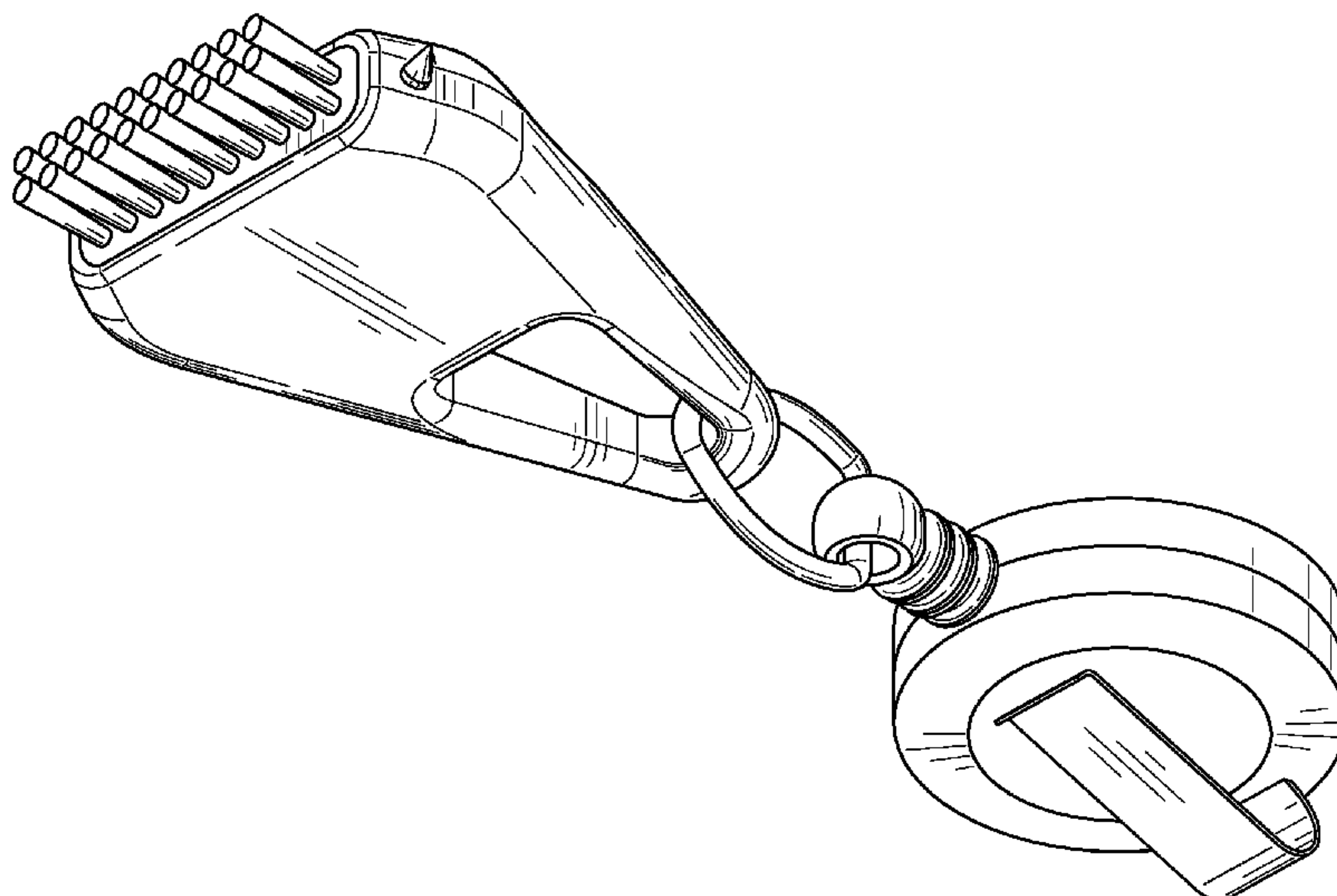
FIG. 8 is a front perspective view of the combined golf club cleaning device with extendable and retractable clip as attached to an extendable and retractable clip;

FIG. 9 is a top plan view of the combined golf club cleaning device with extendable and retractable clip as attached to an extendable and retractable clip;

FIG. 10 is a front elevational view of the combined golf club cleaning device with extendable and retractable clip as attached to an extendable and retractable clip; and,

FIG. 11 is a side elevational view of the combined golf club cleaning device with extendable and retractable clip as attached to an extendable and retractable clip.

1 Claim, 6 Drawing Sheets



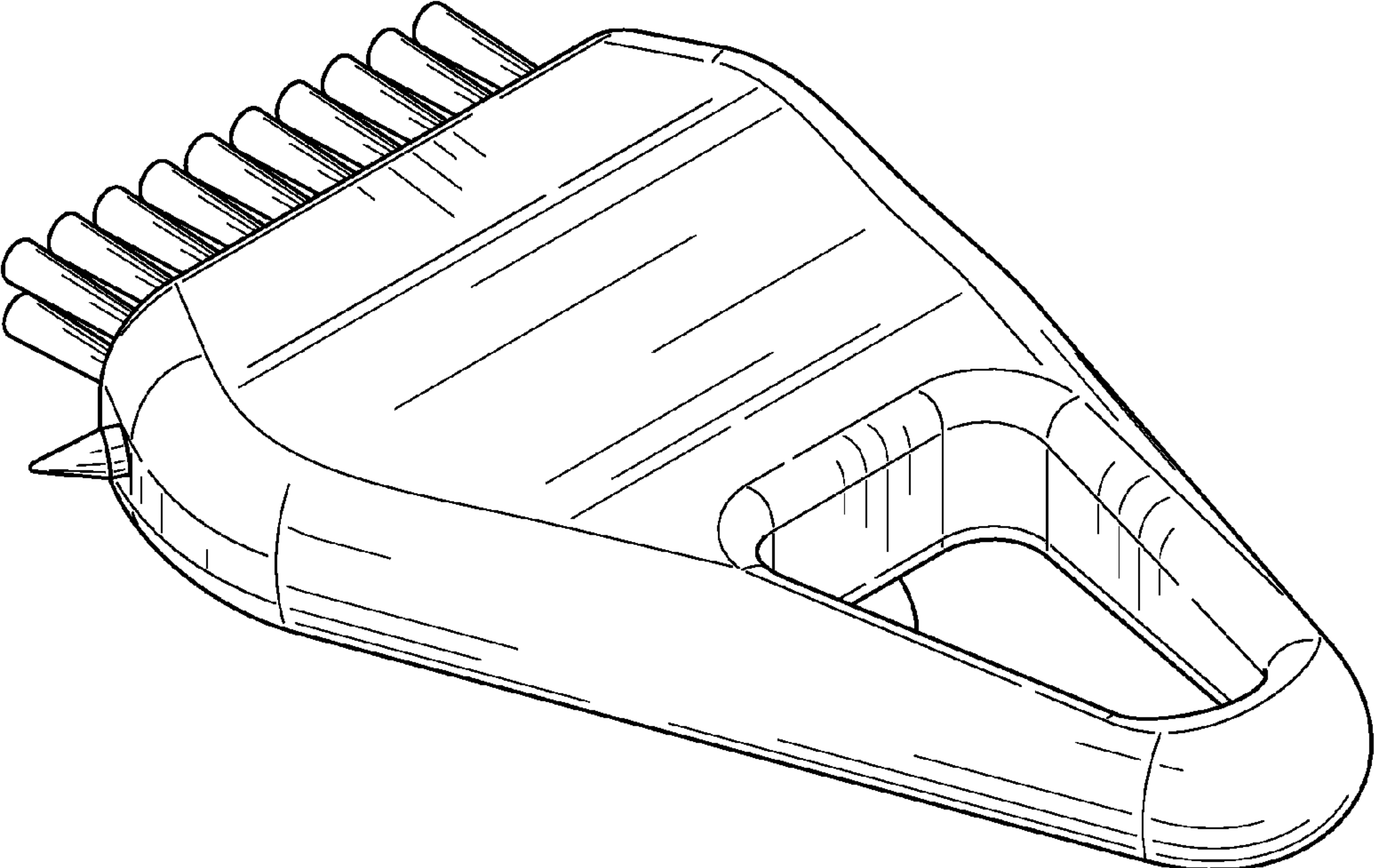


FIG. 1

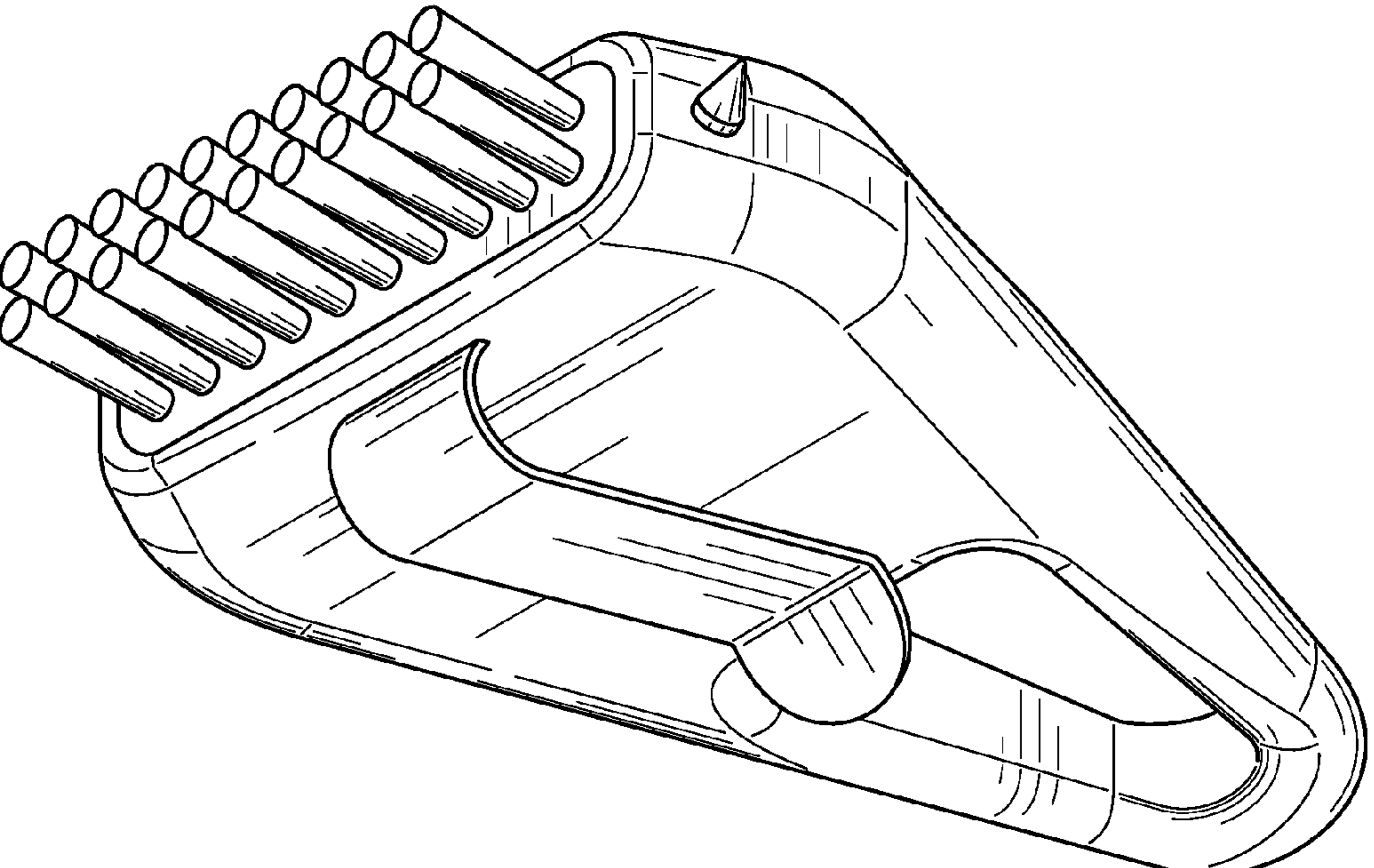


FIG. 2

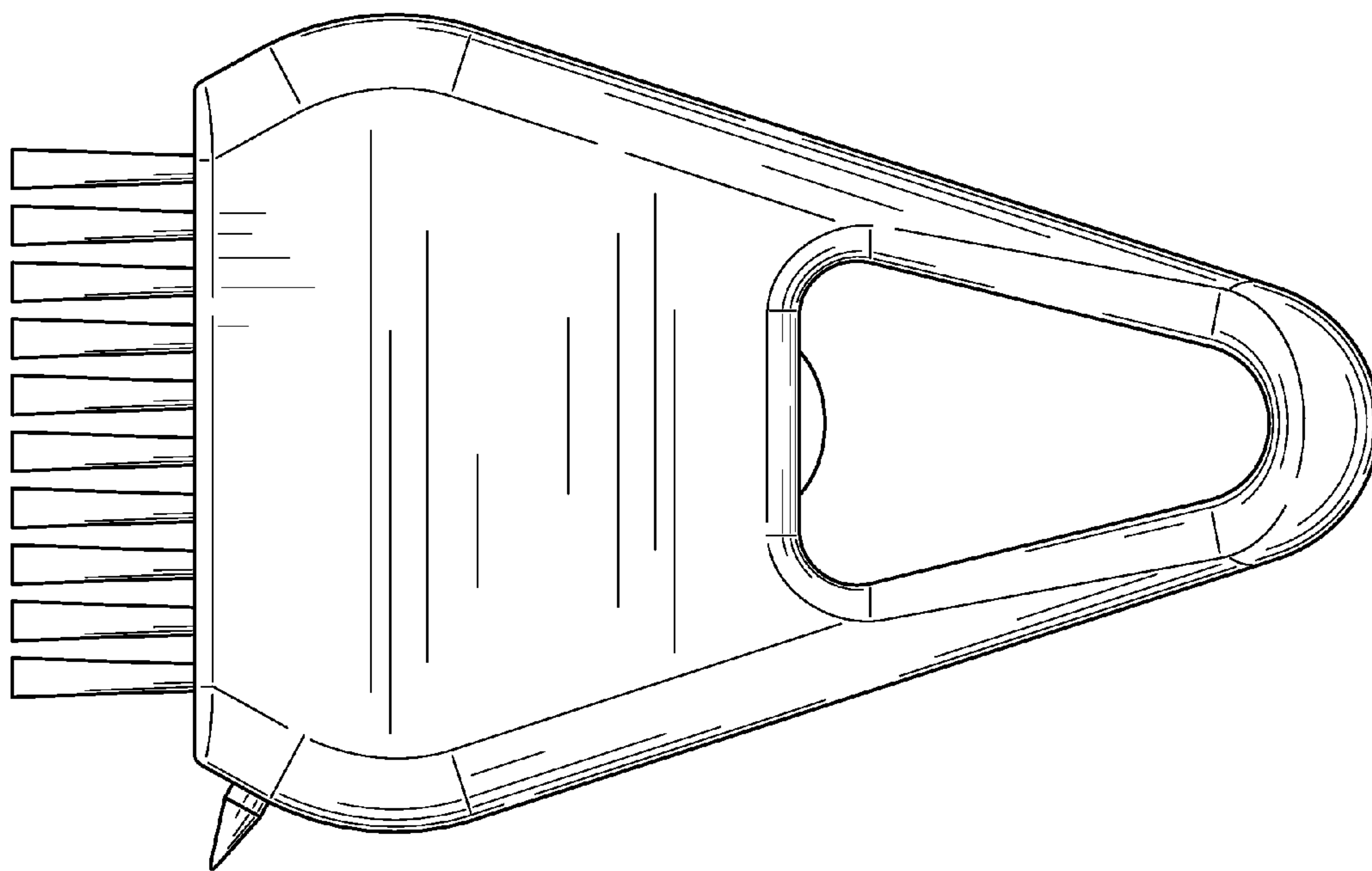


FIG. 3

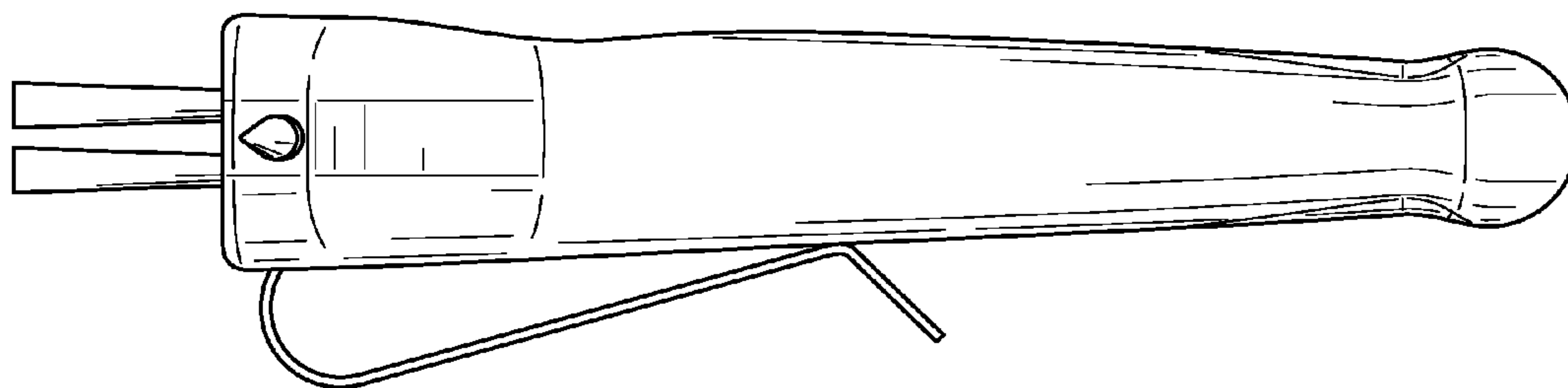


FIG. 4

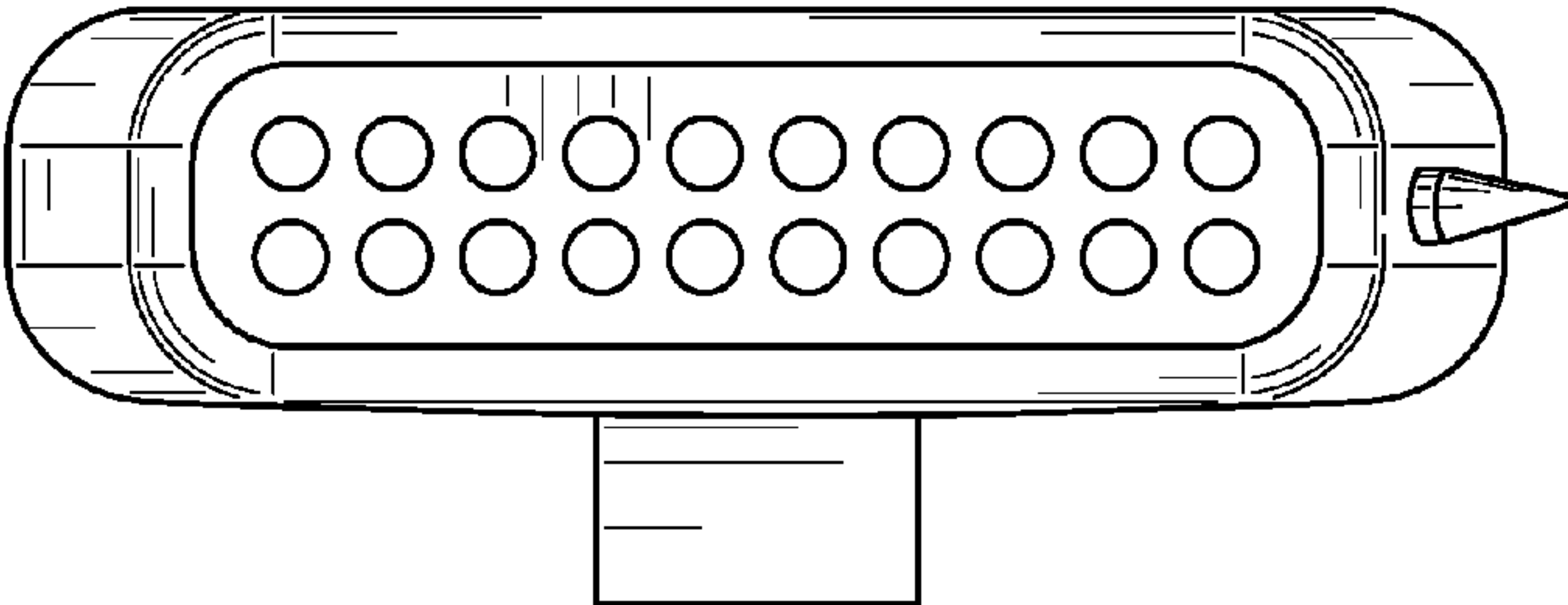


FIG. 5

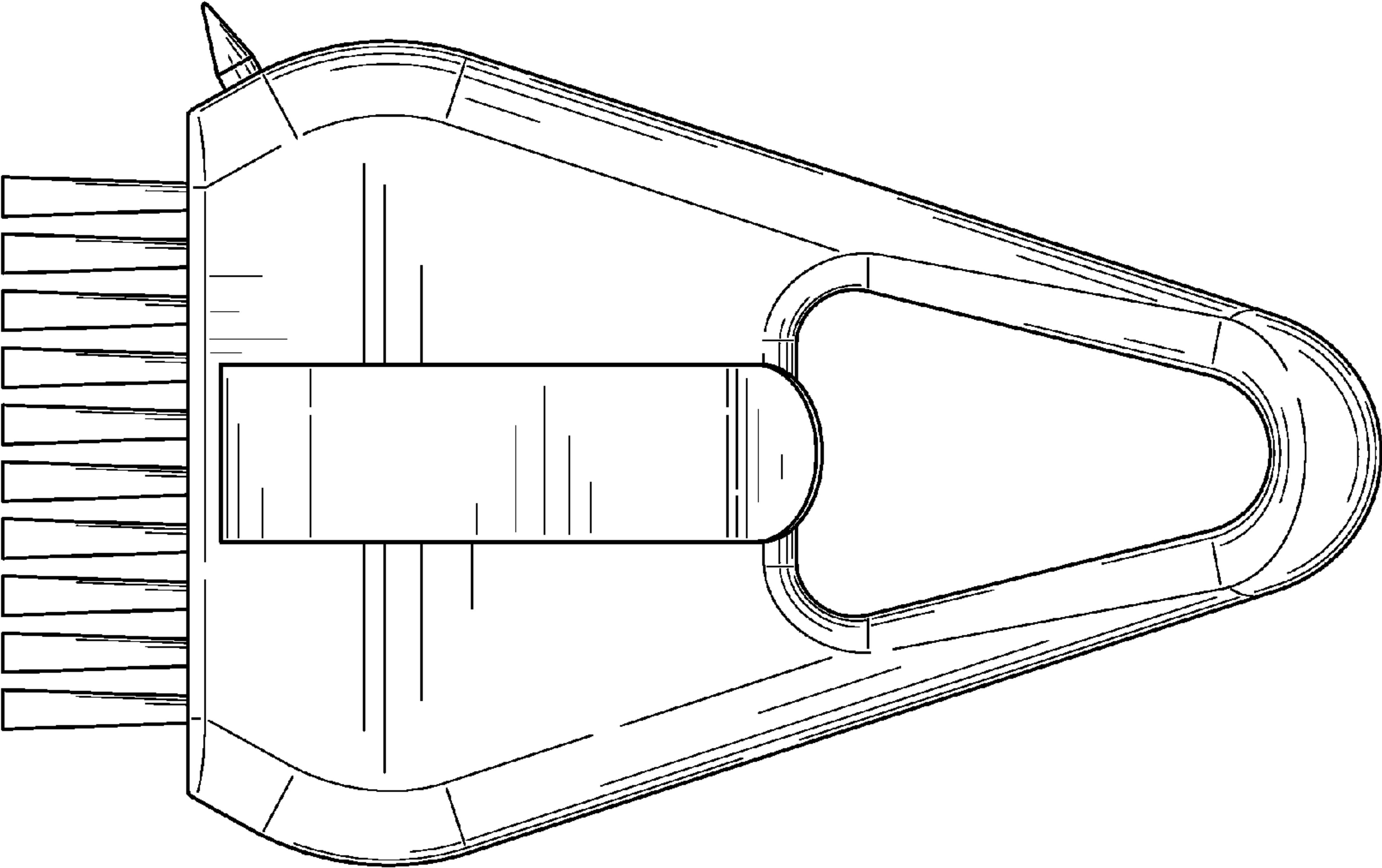


FIG. 6

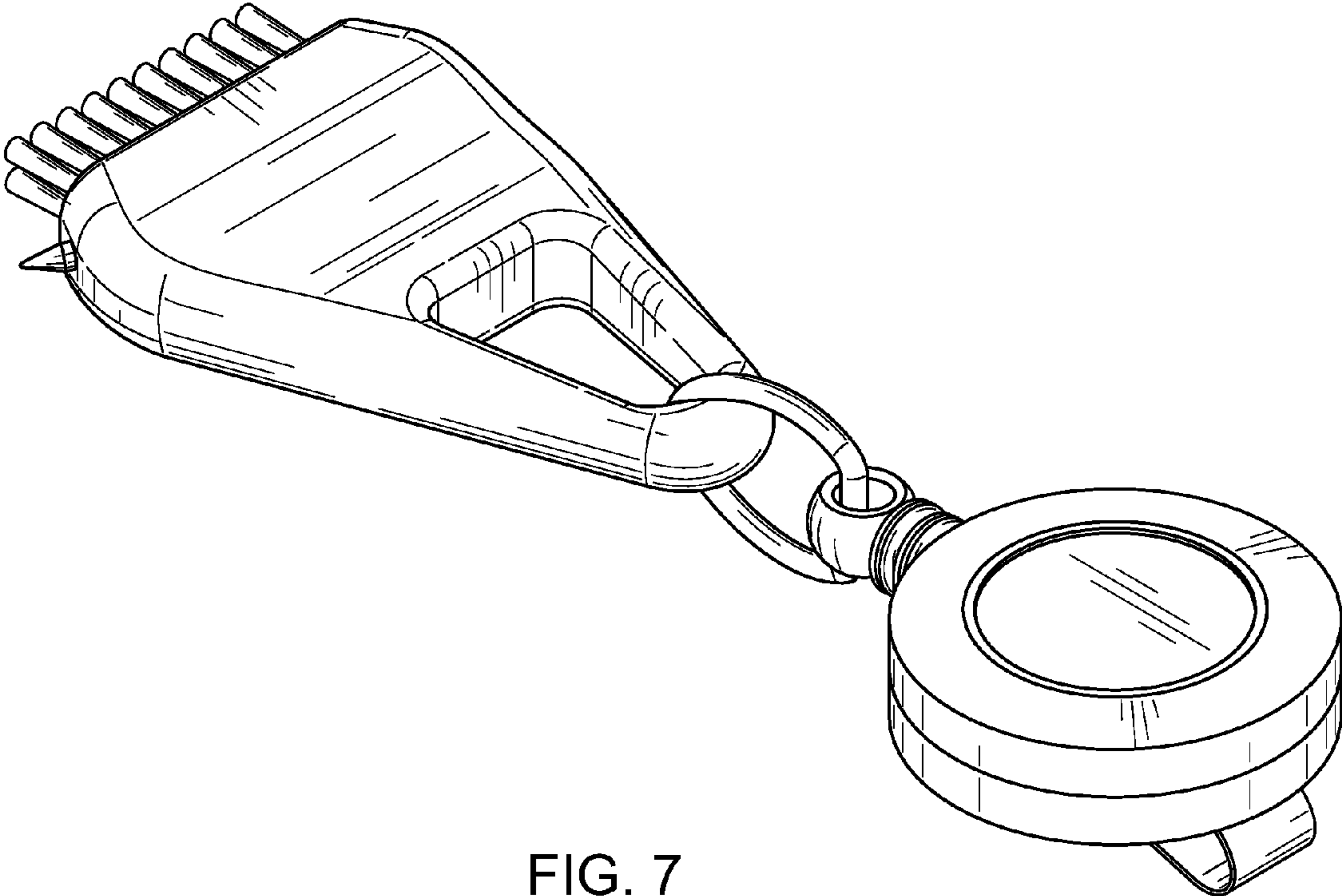


FIG. 7

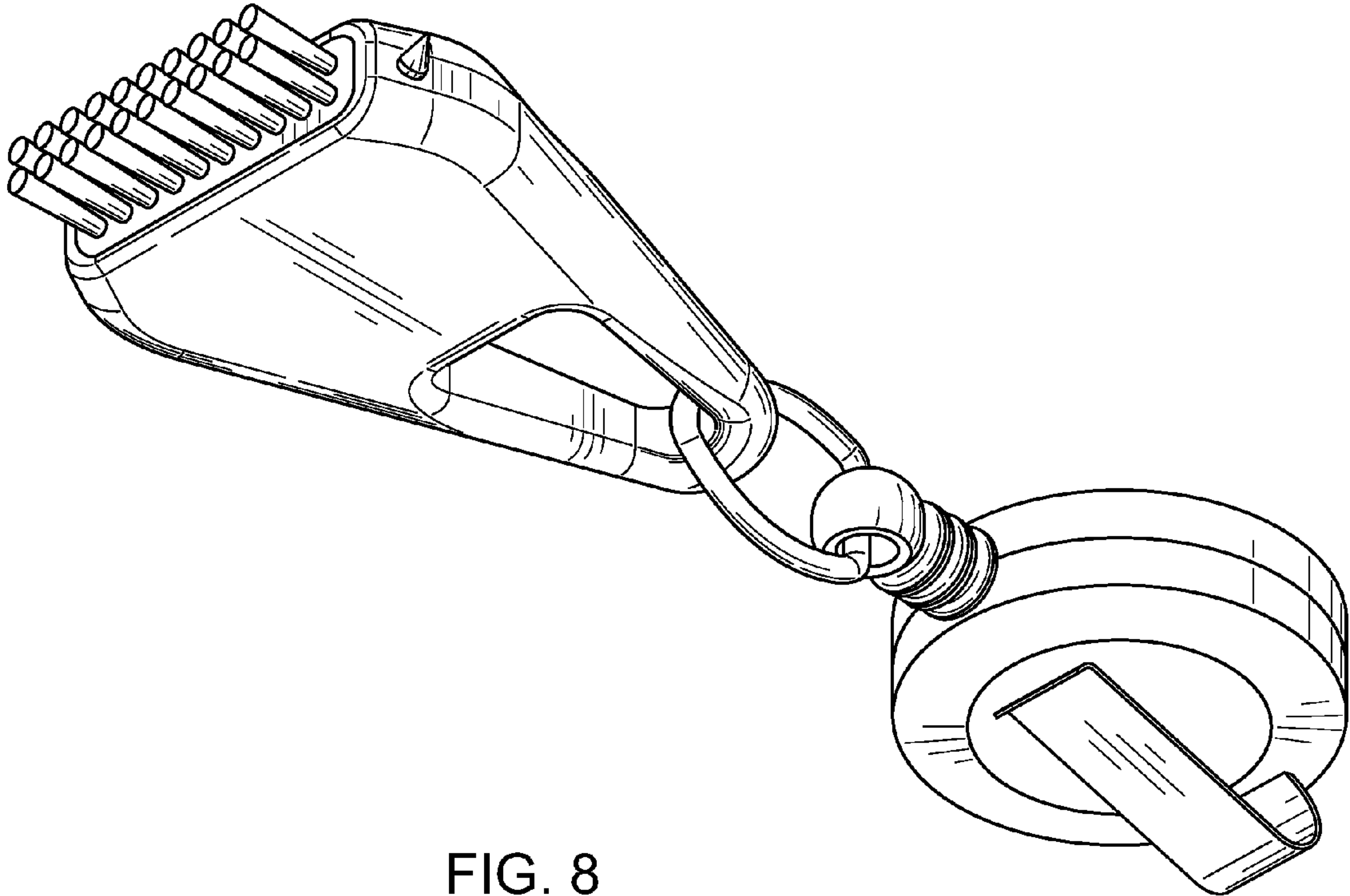


FIG. 8

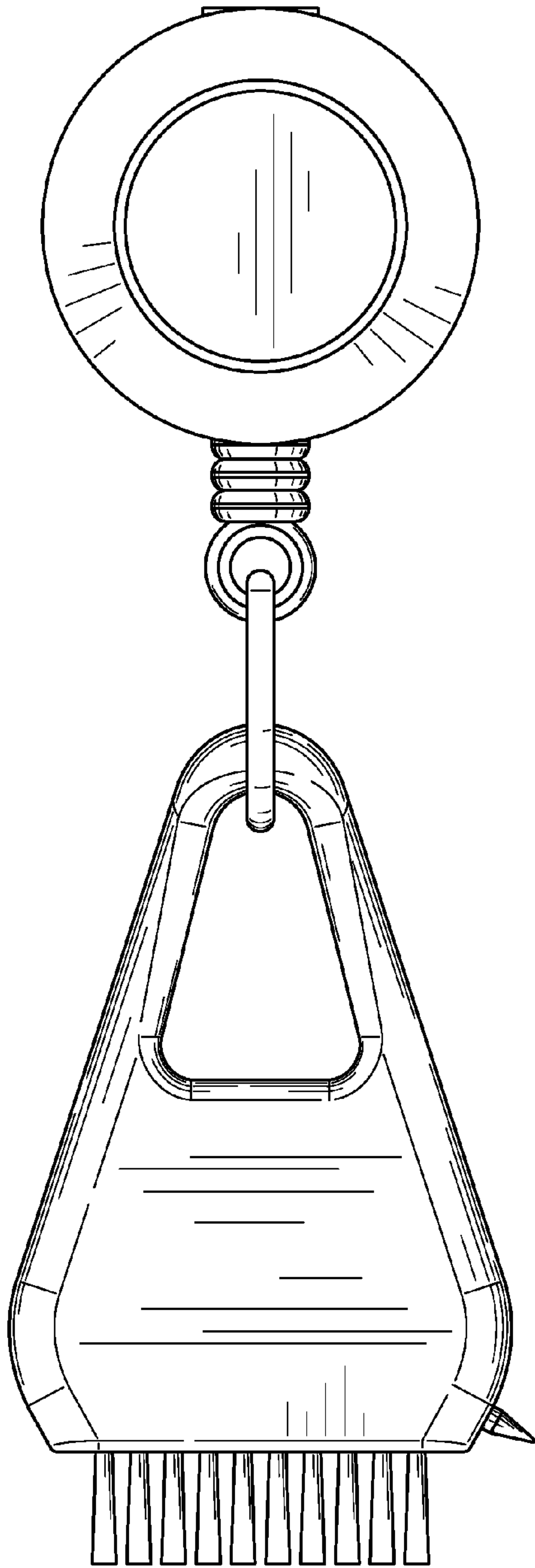


FIG. 9

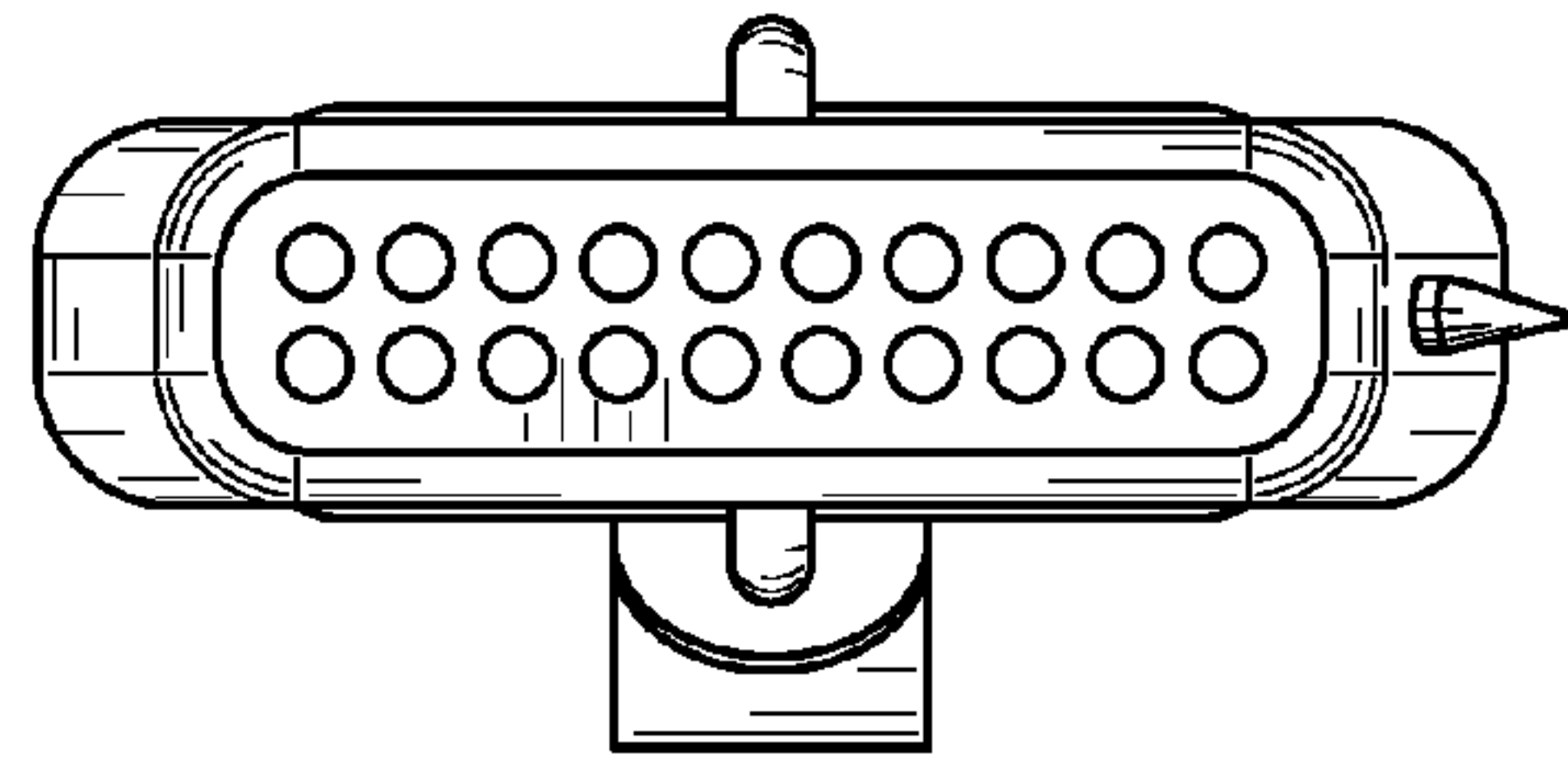


FIG. 10

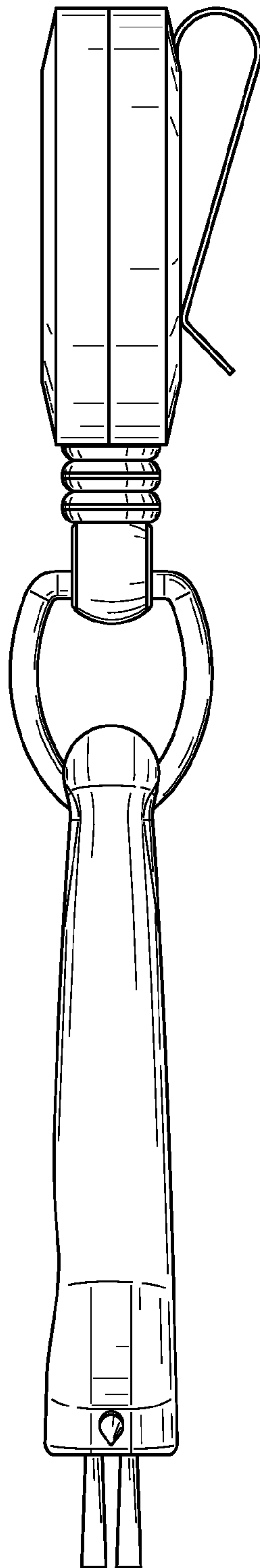


FIG. 11