



US00D653721S

(12) **United States Design Patent**
Jenkins

(10) **Patent No.:** **US D653,721 S**

(45) **Date of Patent:** **** Feb. 7, 2012**

(54) **GOLF TEE MARKING DEVICE WITH DIVOT TOOL AND REMOVABLE BALL MARKER**

(76) Inventor: **Bryant Moses Jenkins**, The Woodlands, TX (US)

(**) Term: **14 Years**

(21) Appl. No.: **29/383,949**

(22) Filed: **Jan. 25, 2011**

(51) **LOC (9) Cl.** **21-02**

(52) **U.S. Cl.** **D21/793**

(58) **Field of Classification Search** D21/793-794;
473/286, 408

See application file for complete search history.

(56) **References Cited**

U.S. PATENT DOCUMENTS

D465,539 S *	11/2002	Tate	D21/793
D518,864 S *	4/2006	Bradshaw	D21/793
D596,691 S *	7/2009	Heap	D21/793
D637,677 S *	5/2011	Bradshaw	D21/793
D639,372 S *	6/2011	Zelevovitz	D21/793

* cited by examiner

Primary Examiner — Mitchell Siegel

(57) **CLAIM**

The ornamental design for a golf tee marking device with divot tool and removable ball marker, as shown and described.

DESCRIPTION

FIG. 1 is a top perspective view of an embodiment of my design for a golf tee marking device with divot tool and removable ball marker;

FIG. 2 is a bottom perspective view of the golf tee marking device of FIG. 1, including a slot for retaining the ball marker;

FIG. 3 is a bottom view of the golf tee marking device of FIG. 1;

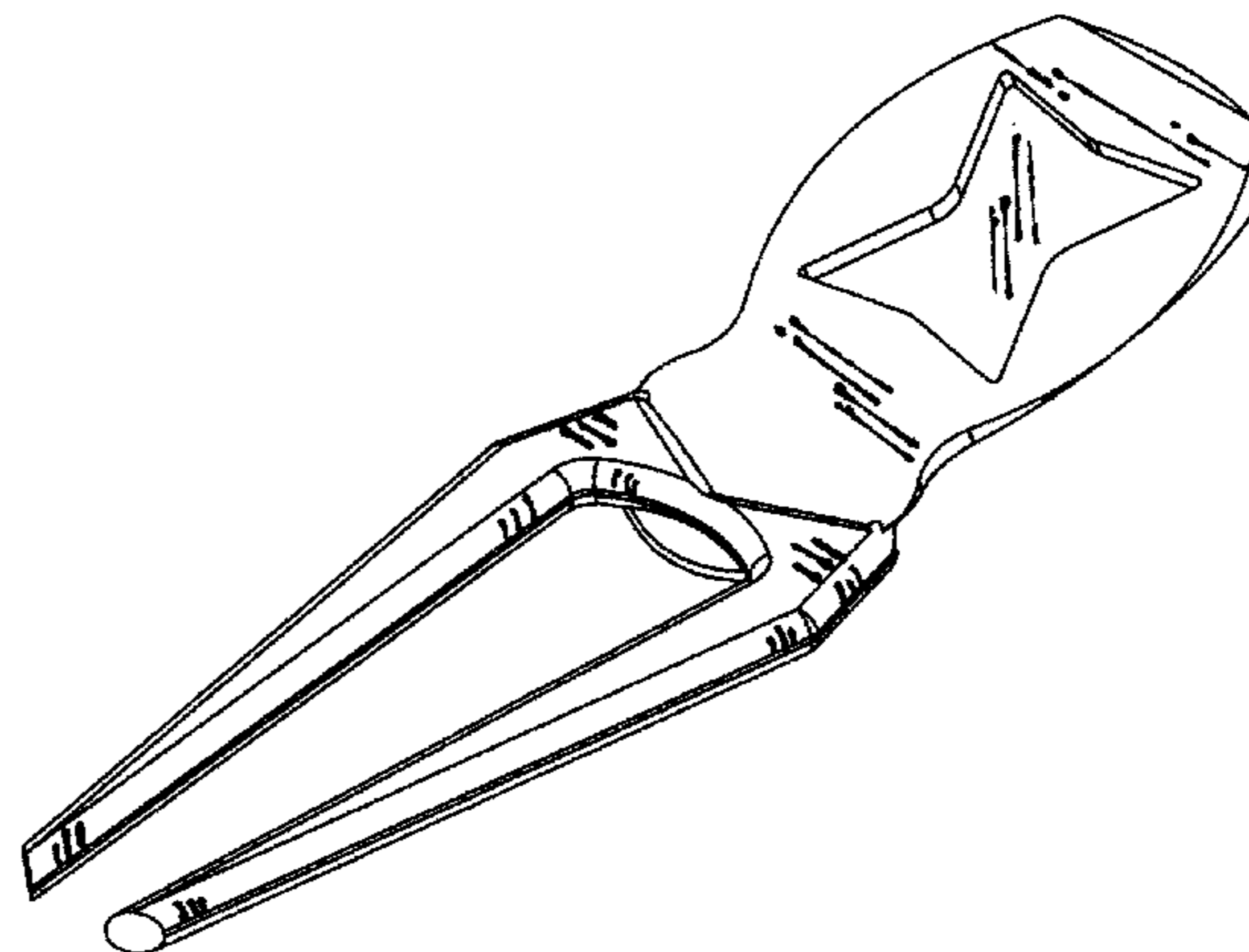
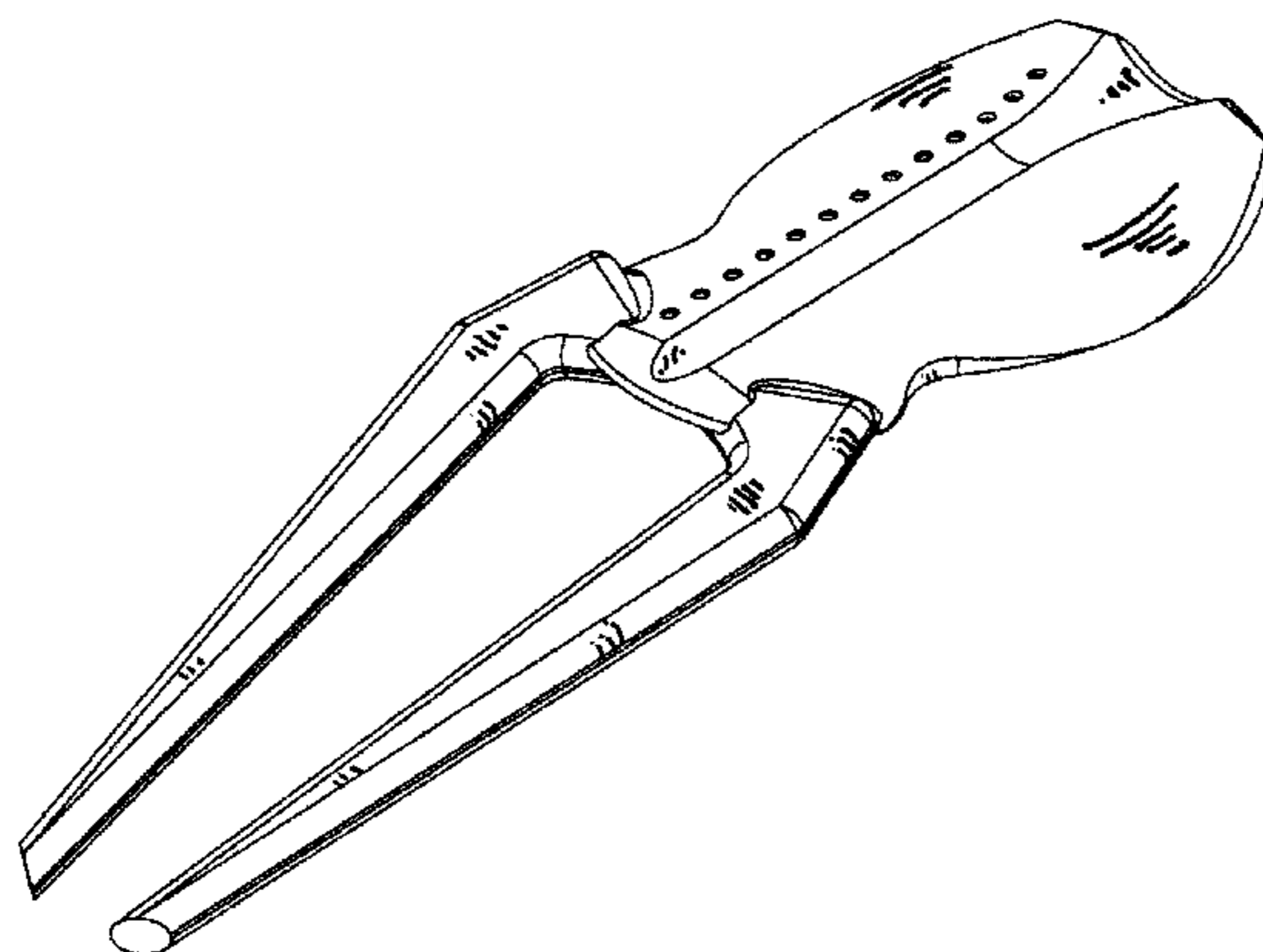
FIG. 4 is a top view of the golf tee marking device of FIG. 1; FIG. 5 is an end elevation view of the tail end of the golf tee marking device of FIG. 4;

FIG. 6 is an end elevation view of the head end of the golf tee marking device of FIG. 4;

FIG. 7 is a right side view of the golf tee marking device of FIG. 4; and,

FIG. 8 is a left side view of the golf tee marking device of FIG. 4.

1 Claim, 3 Drawing Sheets



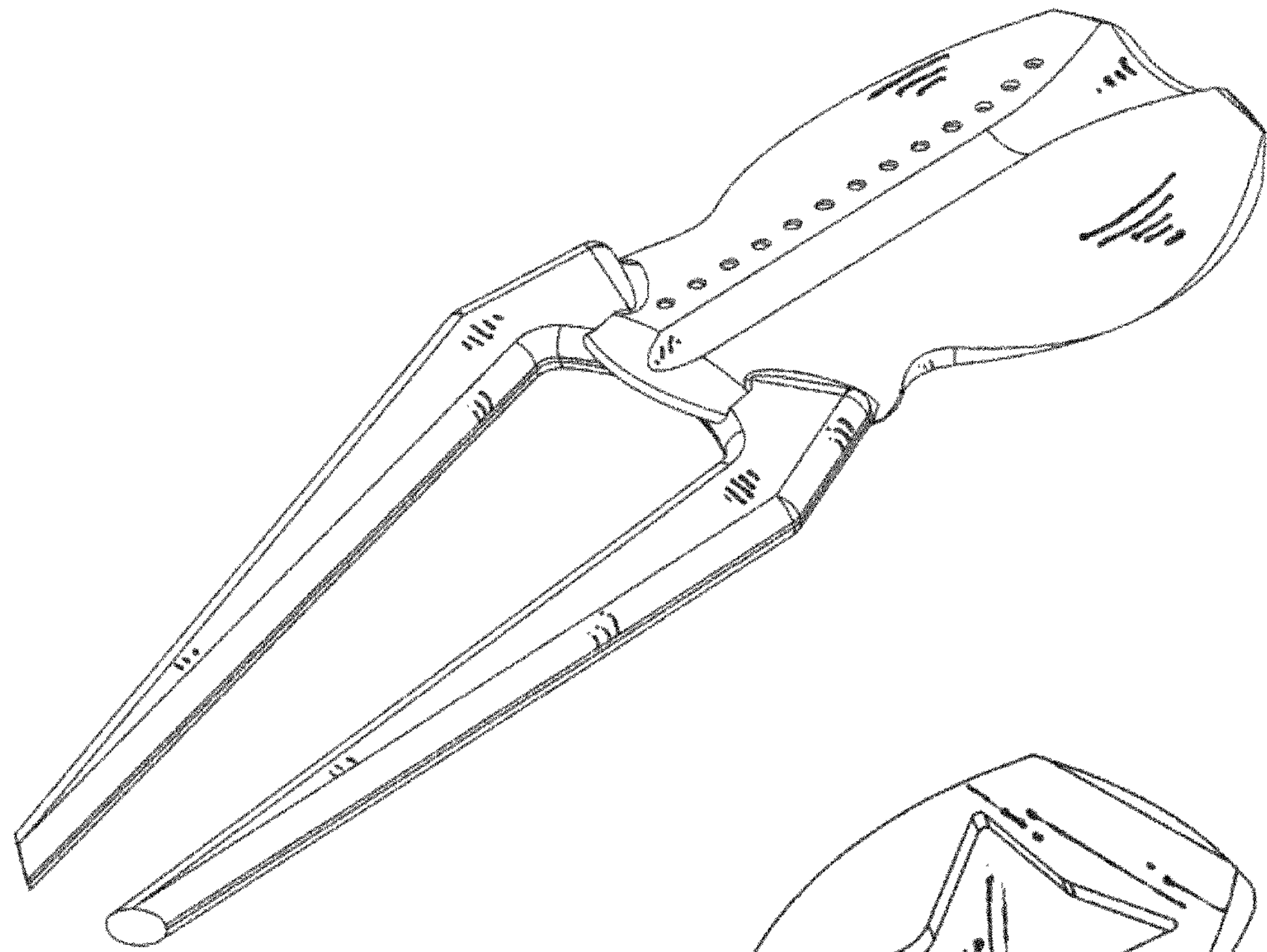


Fig. 1

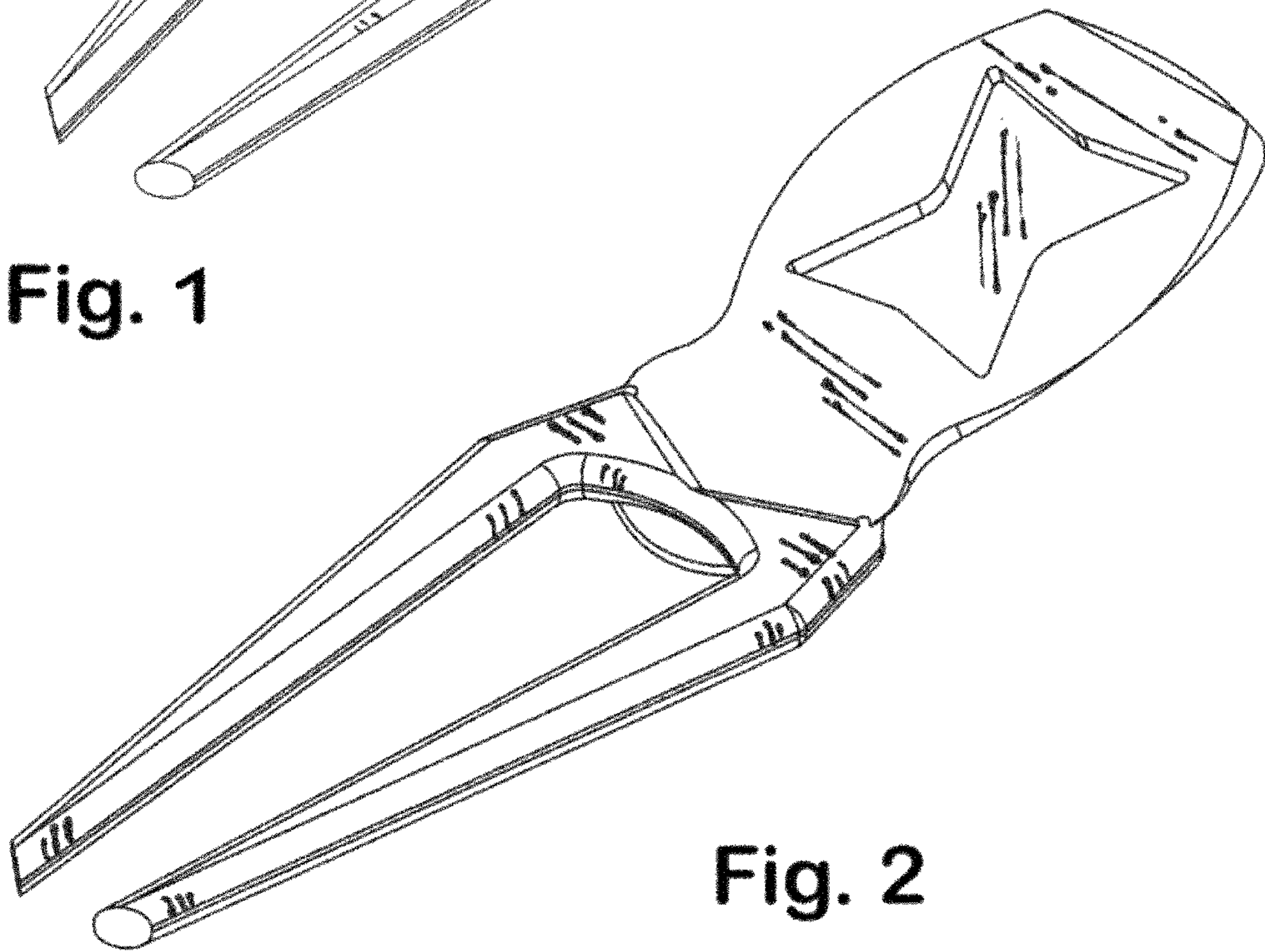


Fig. 2

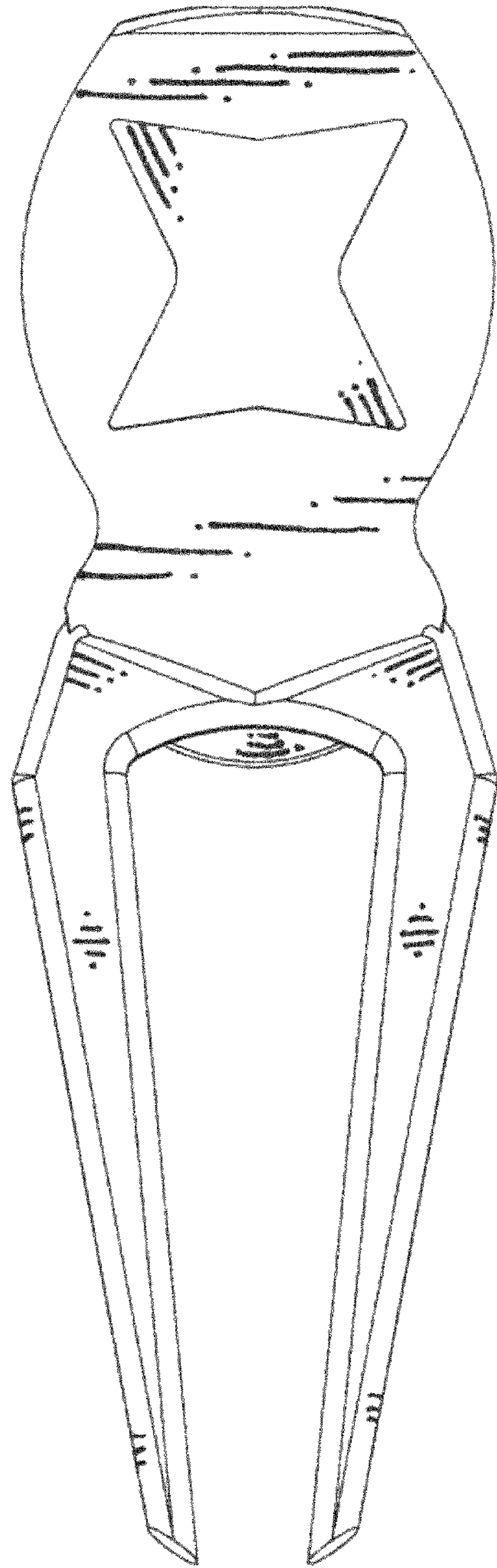


Fig. 3

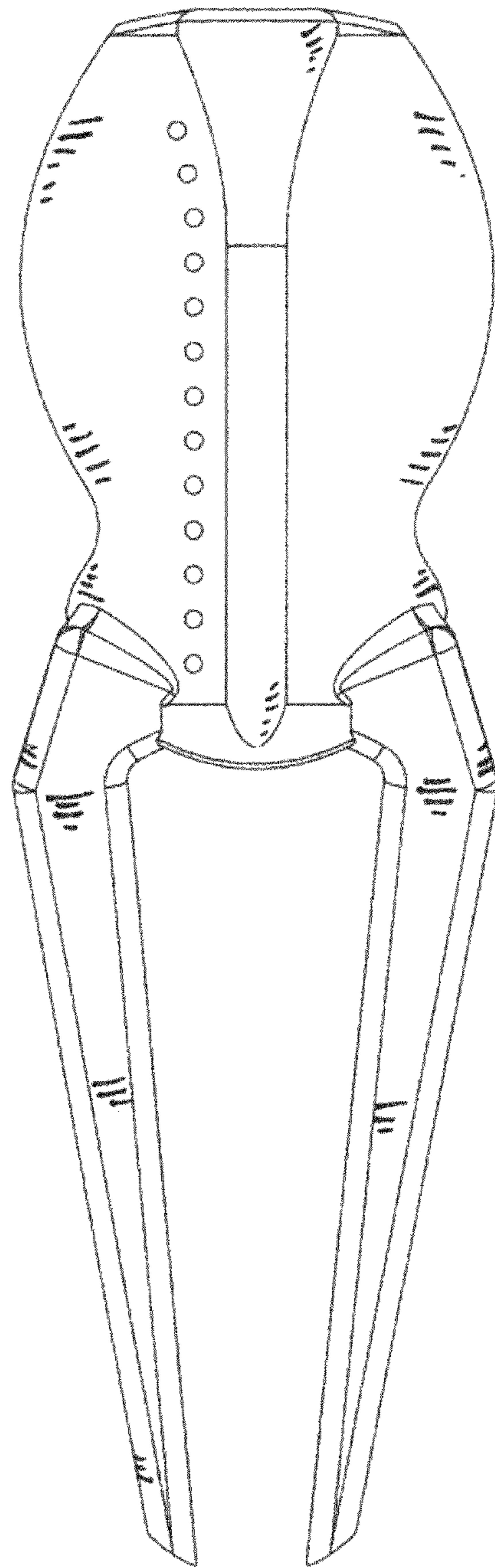


Fig. 4

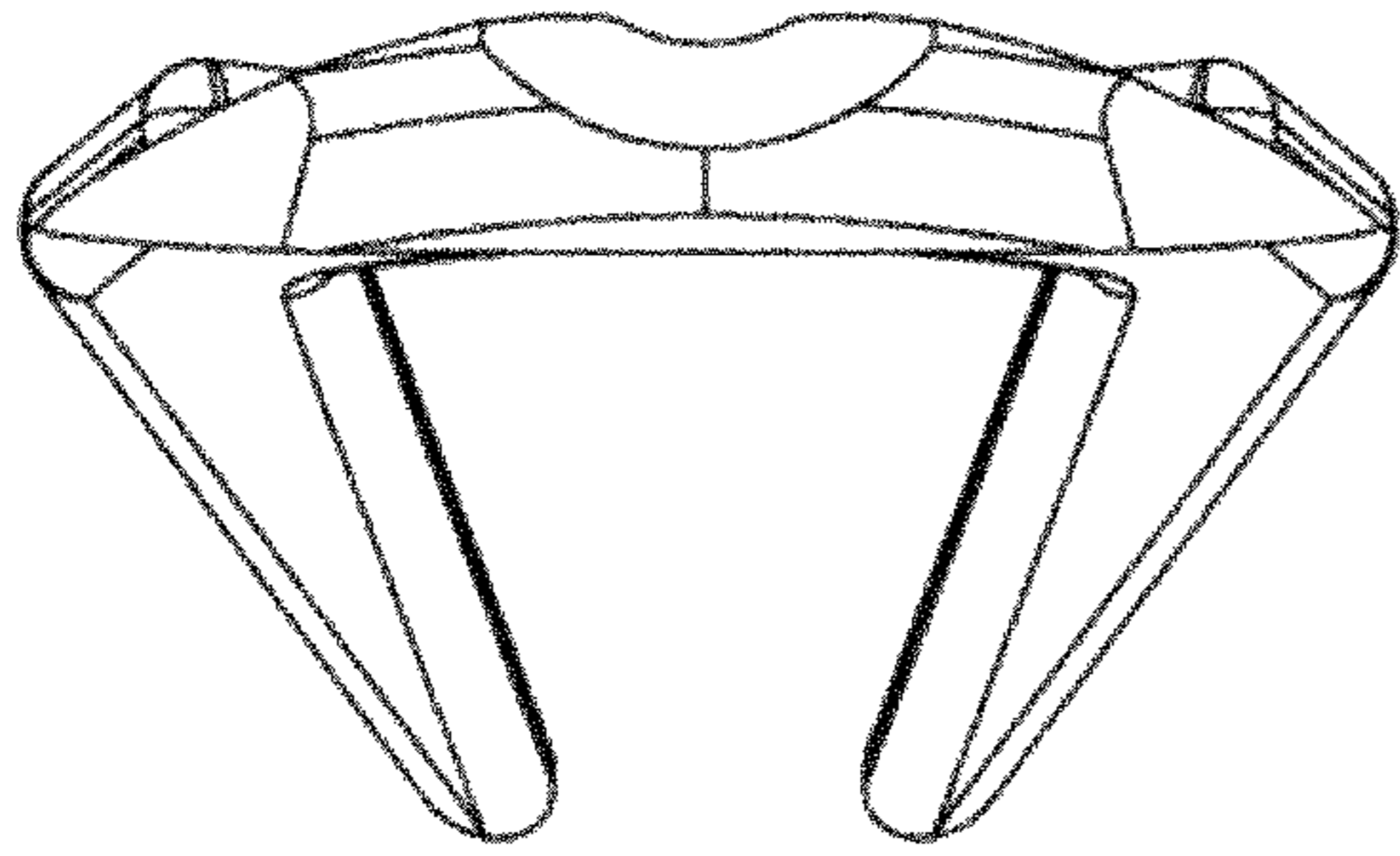


Fig. 5

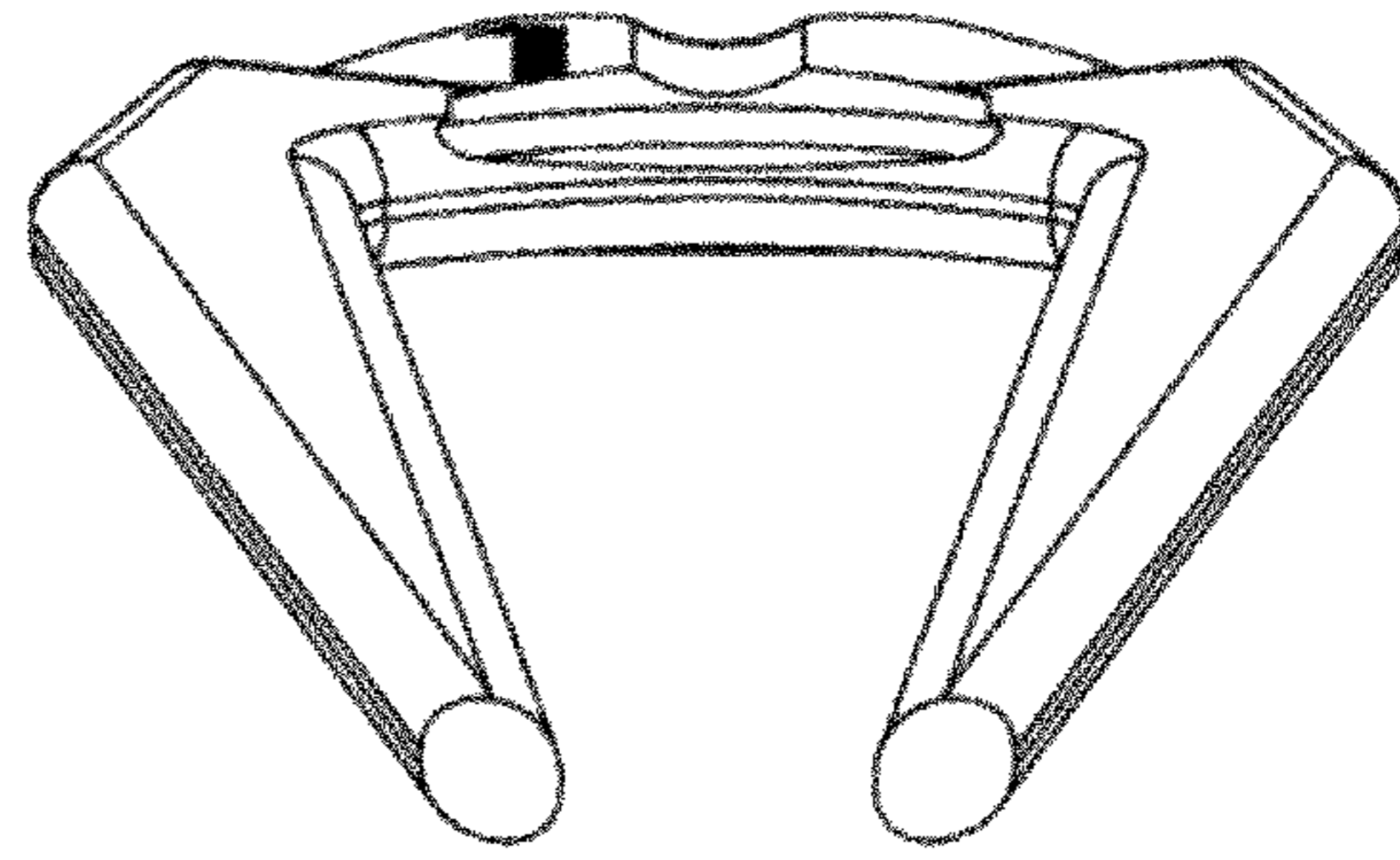


Fig. 6

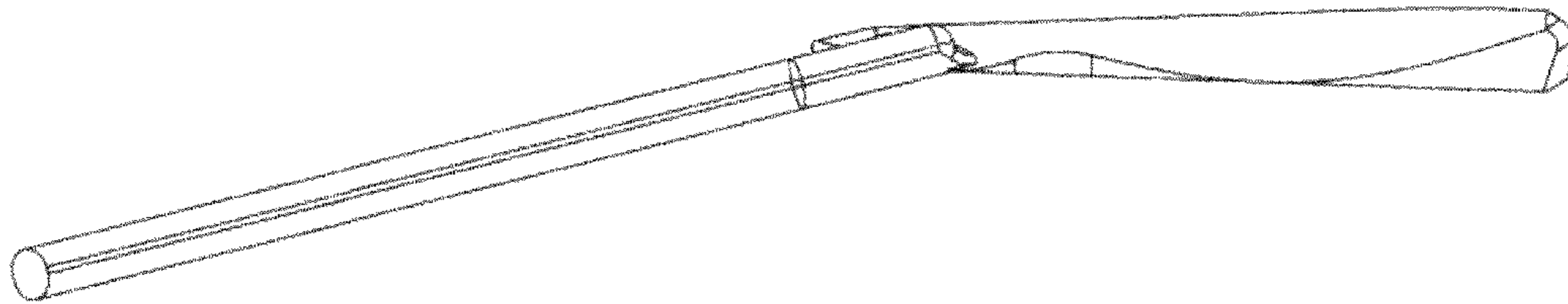


Fig. 7

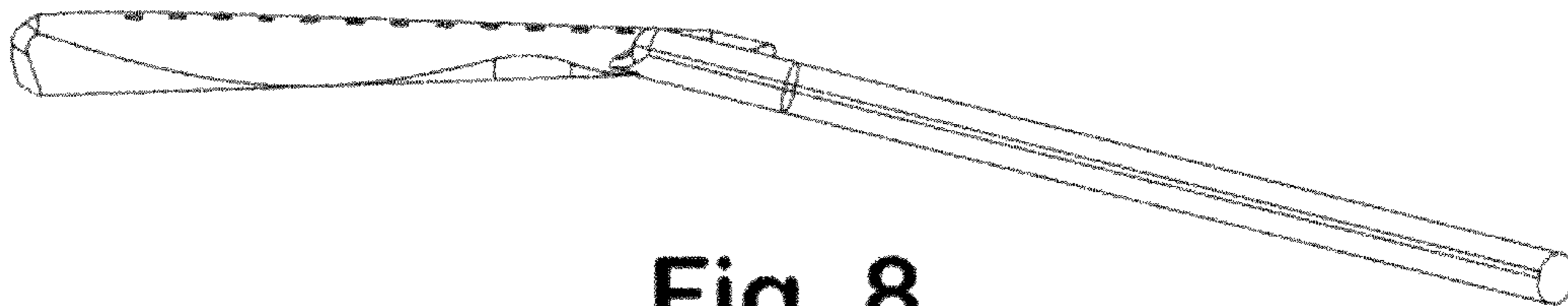


Fig. 8