

US00D653720S

(12) **United States Design Patent**  
**Piatkowski**

(10) **Patent No.:** **US D653,720 S**

(45) **Date of Patent:** **\*\* Feb. 7, 2012**

(54) **GOLF TOOL**

(76) **Inventor:** **David Piatkowski**, Millington, NJ (US)

(\*\*) **Term:** **14 Years**

(21) **Appl. No.:** **29/383,224**

(22) **Filed:** **Jan. 13, 2011**

(51) **LOC (9) Cl.** ..... **21-02**

(52) **U.S. Cl.** ..... **D21/793; D21/796**

(58) **Field of Classification Search** ..... D21/789,  
D21/793, 796, 717; 473/286, 284, 408, 387-403  
See application file for complete search history.

(56) **References Cited**

**U.S. PATENT DOCUMENTS**

2,560,414	A *	7/1951	Cheney	.....	473/391
3,870,300	A *	3/1975	Amendola	.....	473/391
D489,112	S *	4/2004	Jacome	.....	D21/796
D494,244	S *	8/2004	Jacome	.....	D21/793
6,872,155	B2 *	3/2005	Jacome	.....	473/386

2002/0187861	A1 *	12/2002	Jacome	.....	473/408
2004/0132556	A1 *	7/2004	Jacome	.....	473/408
2011/0039639	A1 *	2/2011	Carsey	.....	473/408

\* cited by examiner

*Primary Examiner* — Mitchell Siegel

(74) *Attorney, Agent, or Firm* — QuickPatents, Inc.; Kevin Prince

(57) **CLAIM**

What is claimed is the ornamental design for a golf tool, as shown and described.

**DESCRIPTION**

FIG. 1 is a perspective view of a golf tool, showing the new design;

FIG. 2 is a top plan view thereof;

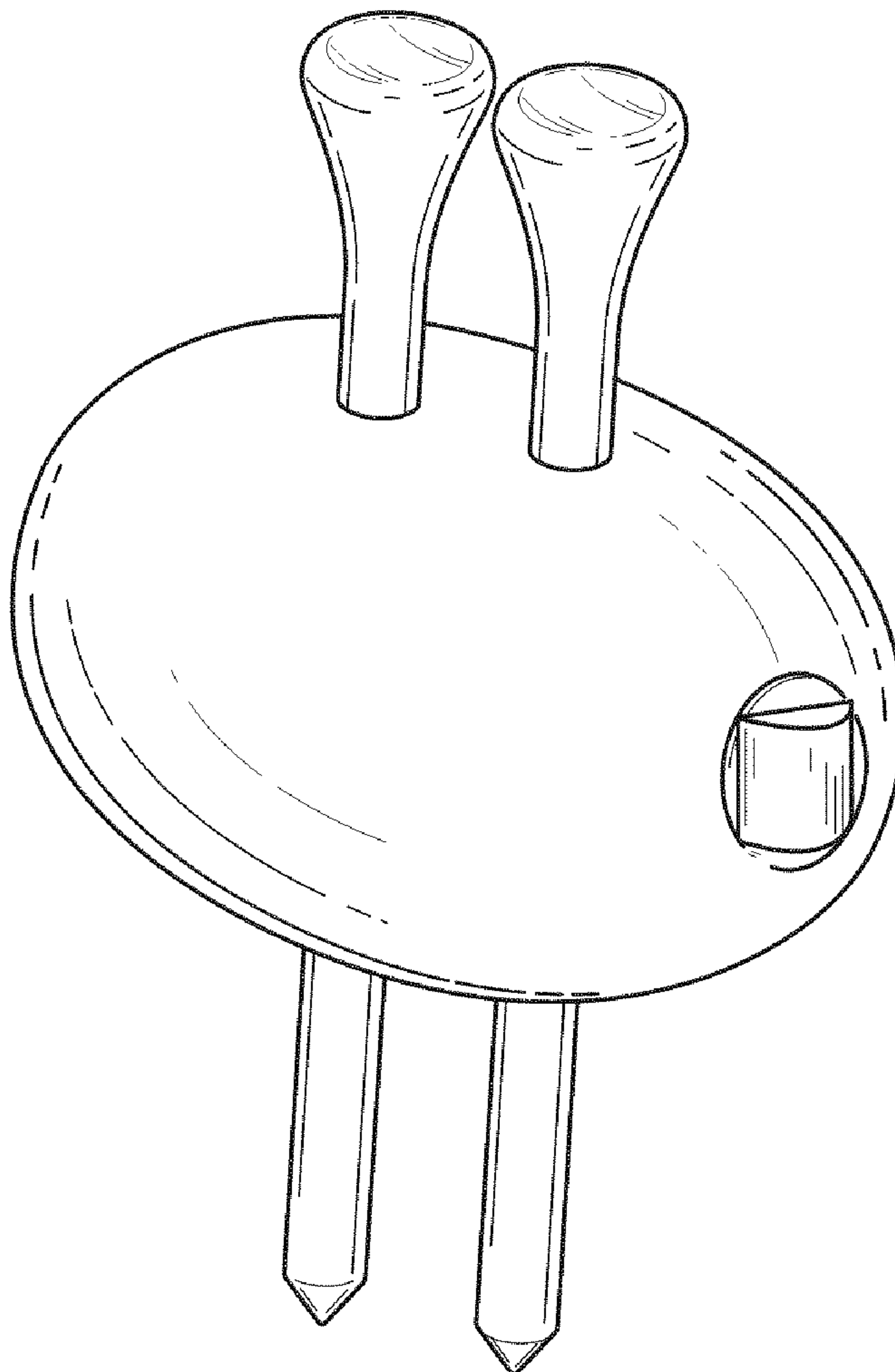
FIG. 3 is a bottom plan view thereof;

FIG. 4 is a right-side elevational view thereof;

FIG. 5 is a left-side elevational view thereof; and,

FIG. 6 is a front elevational view thereof, the rear elevational view being a mirror image thereof.

**1 Claim, 3 Drawing Sheets**



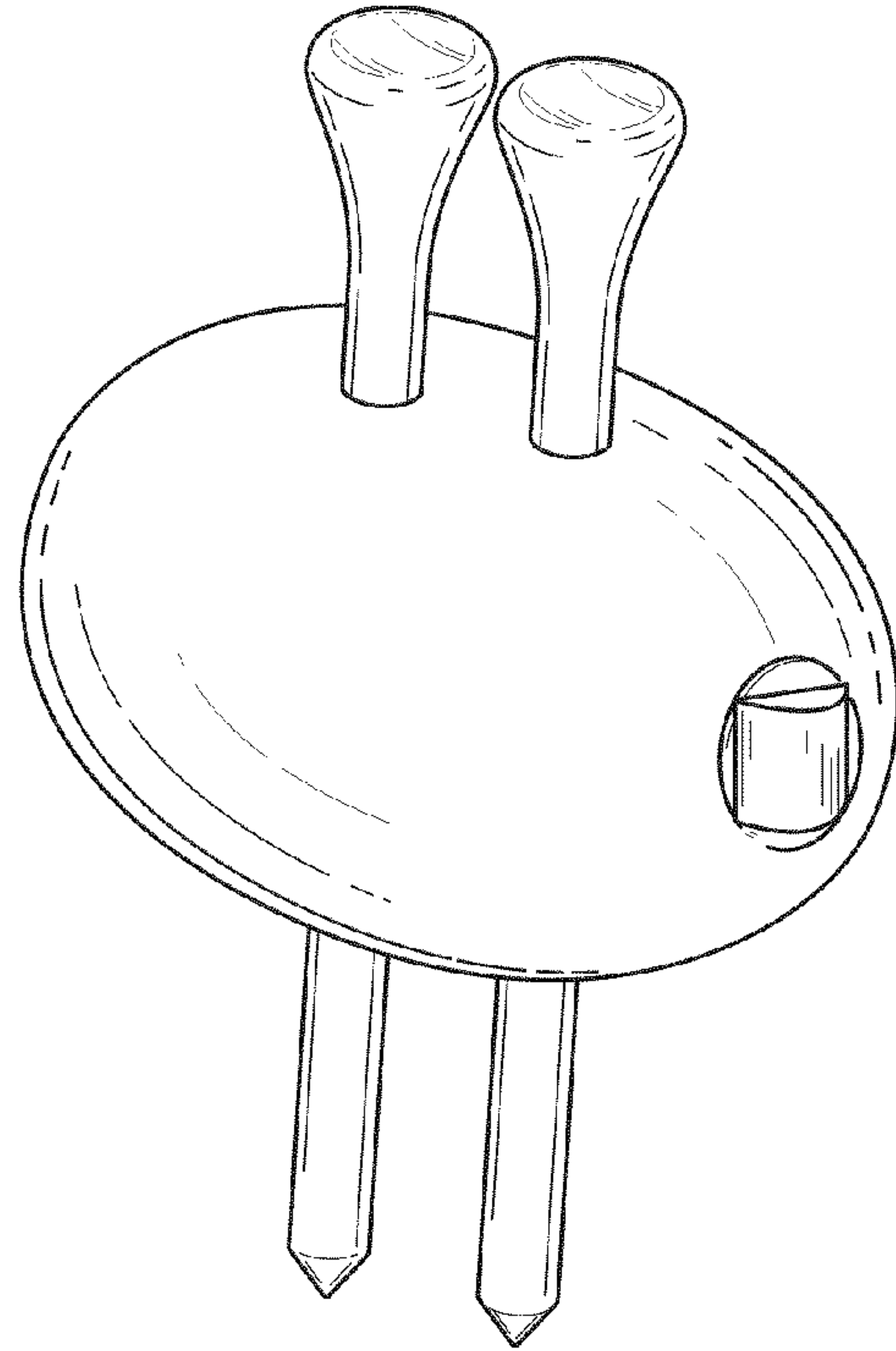


FIG. 1

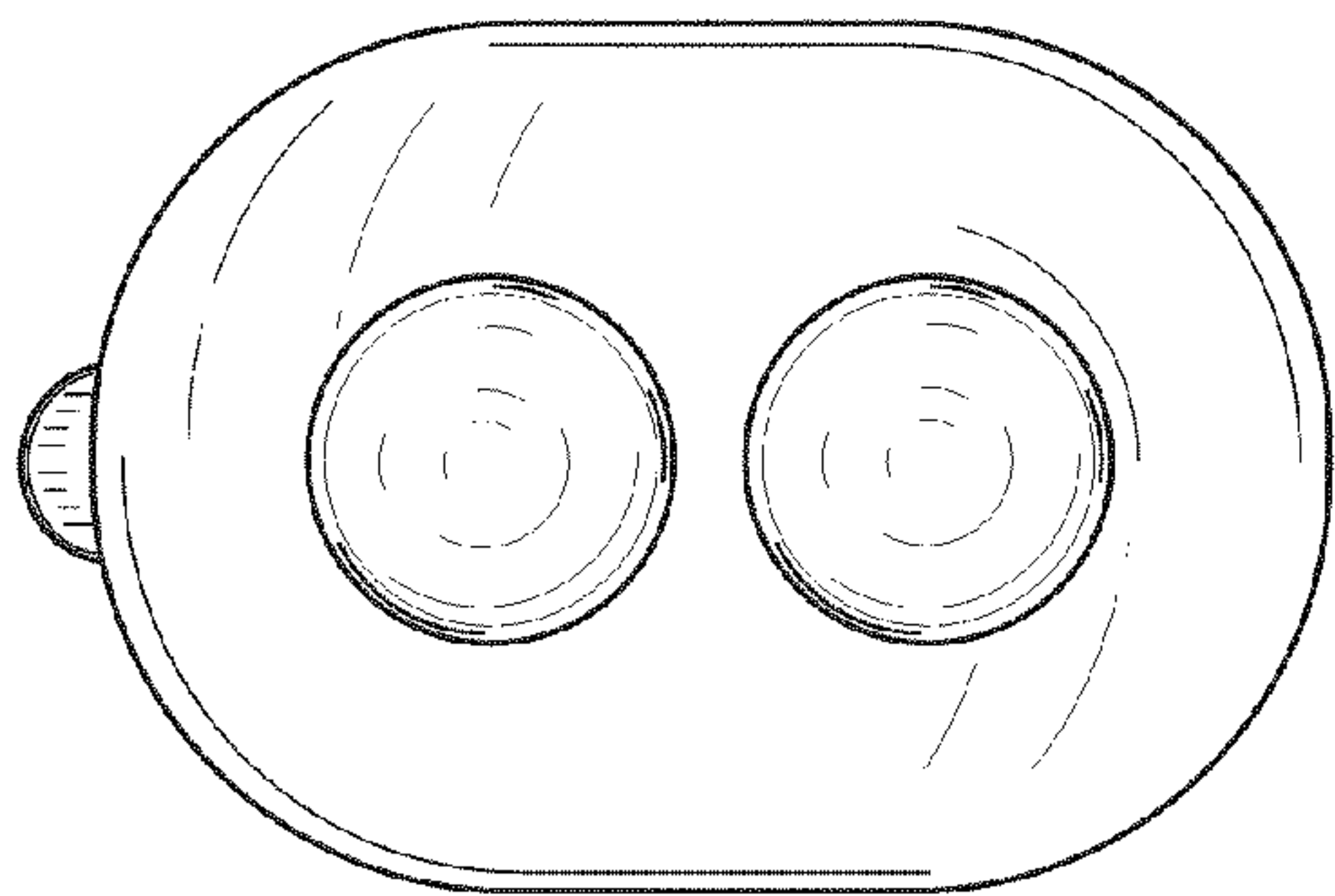


FIG. 2

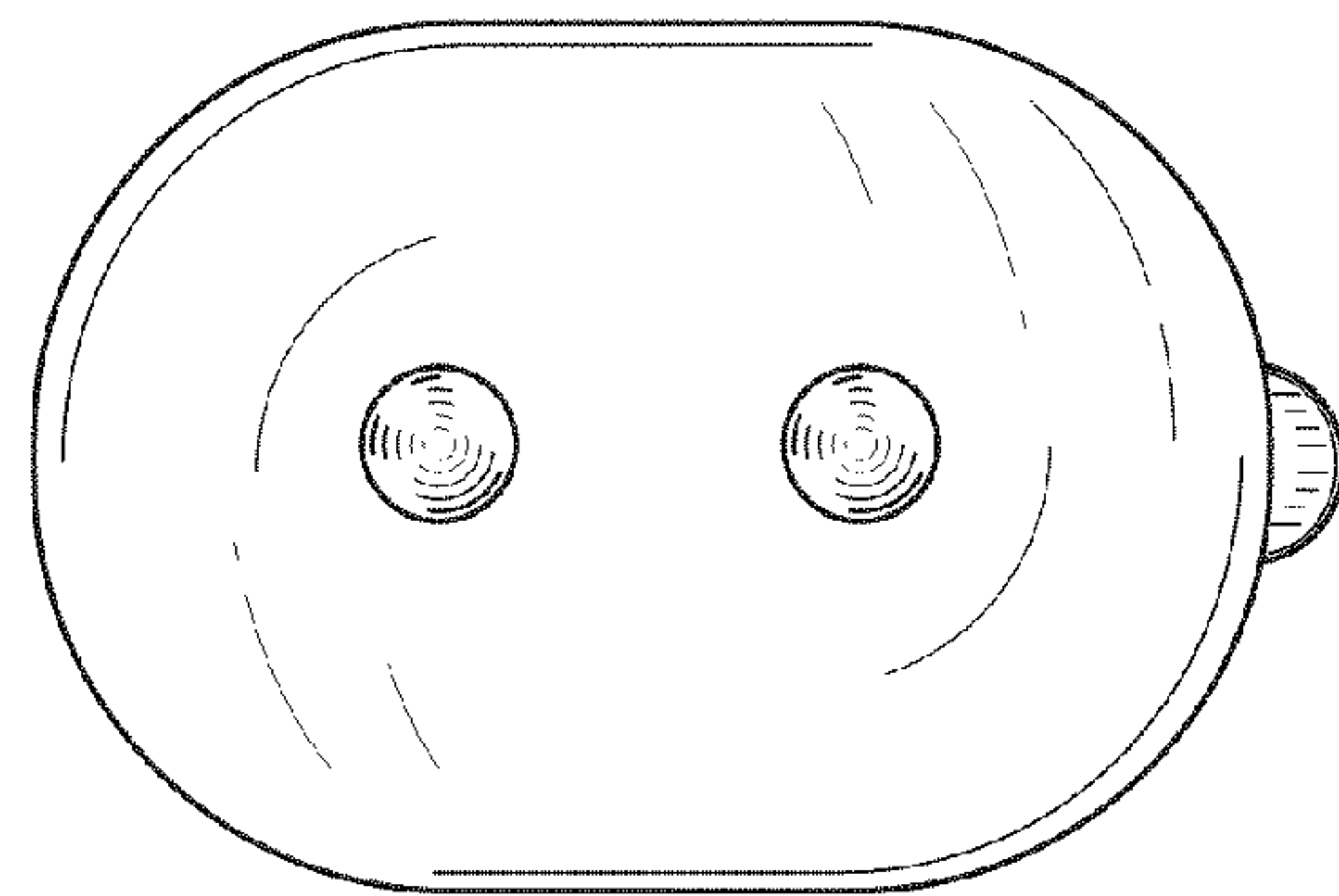


FIG. 3

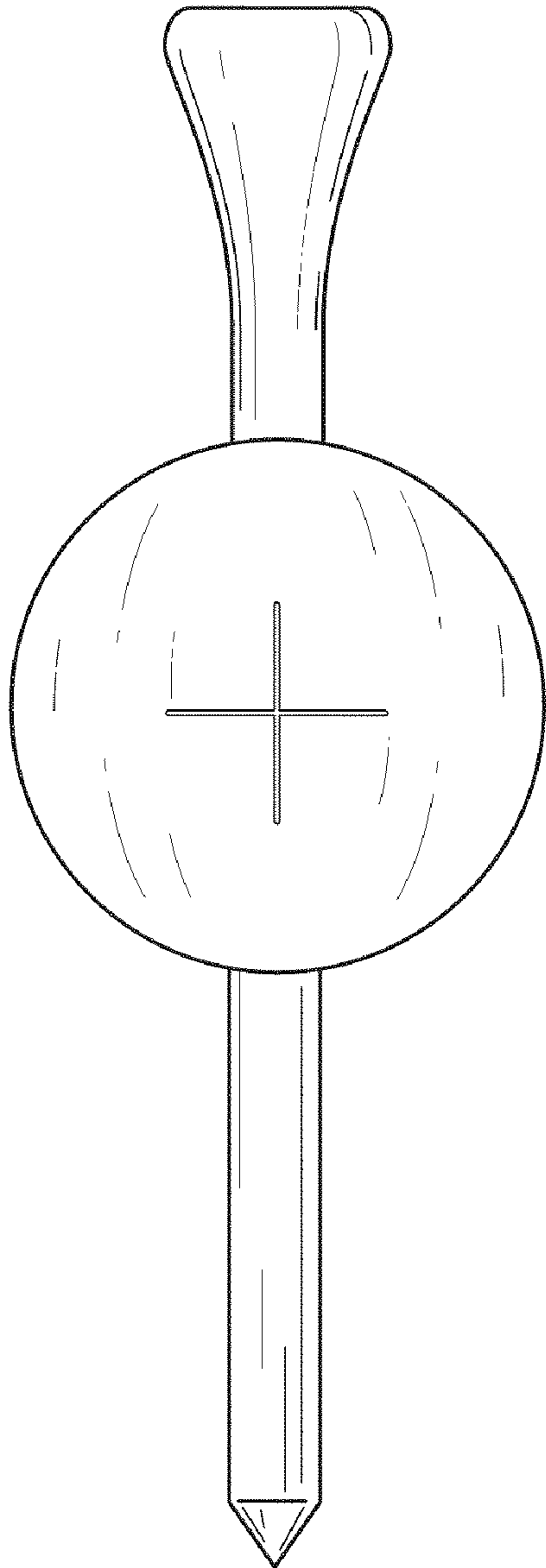


FIG. 4

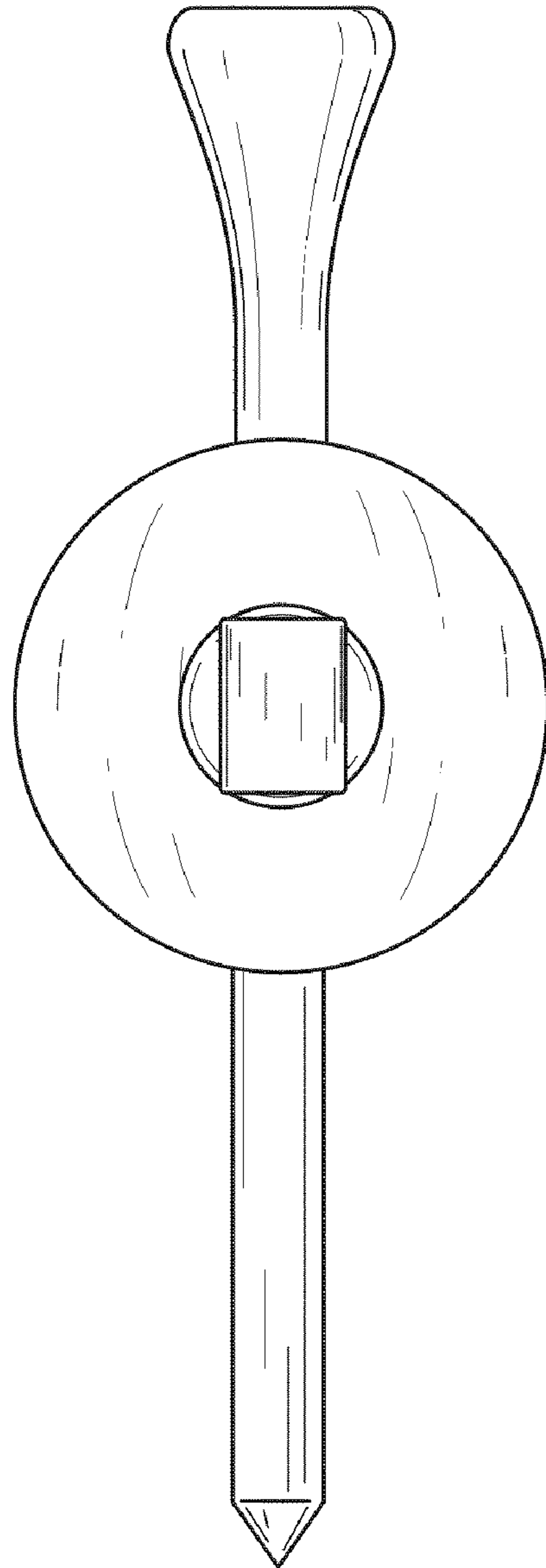


FIG. 5

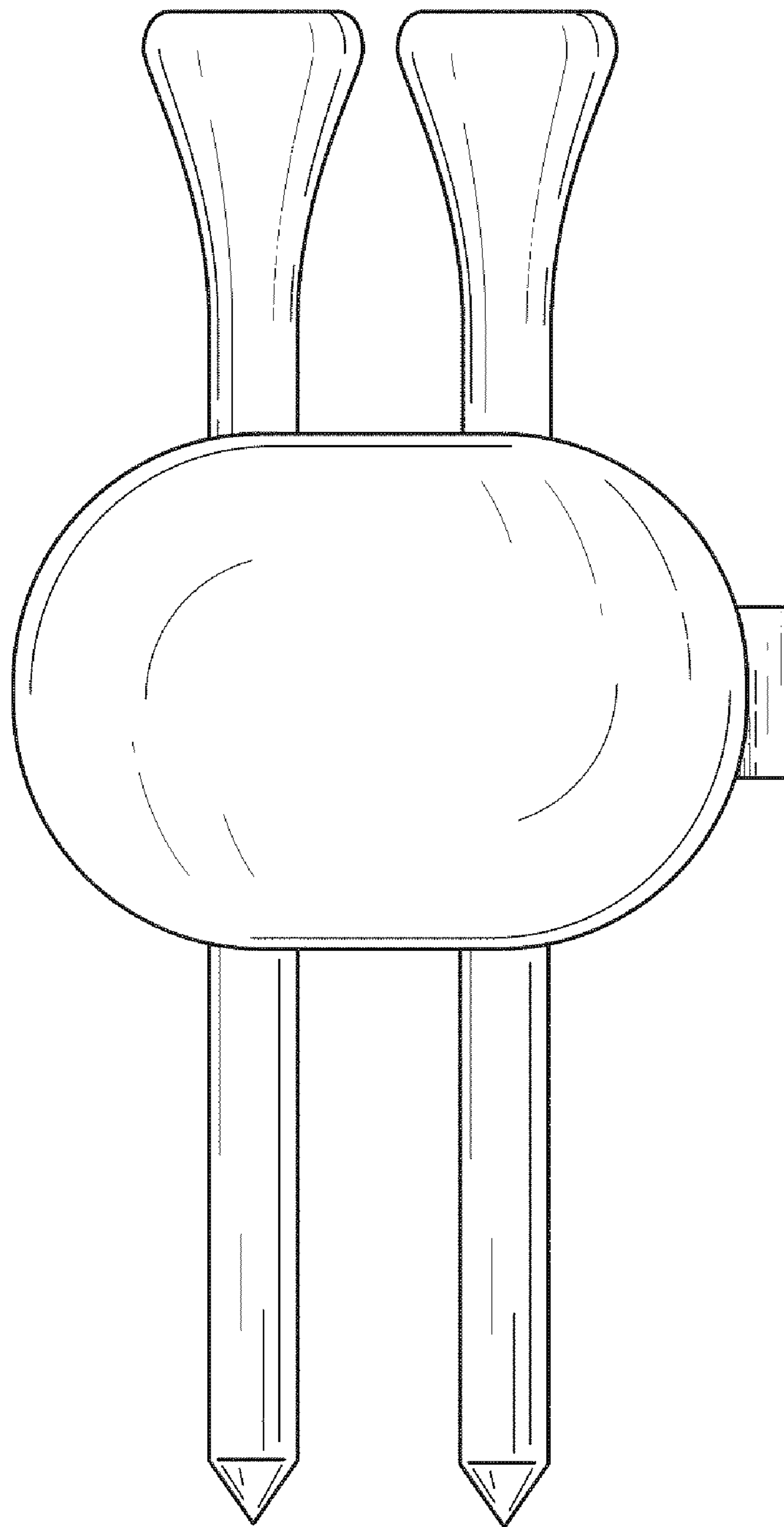


FIG. 6