



US00D653718S

(12) **United States Design Patent**  
**Stokke et al.**

(10) **Patent No.:** **US D653,718 S**

(45) **Date of Patent:** **\*\* Feb. 7, 2012**

(54) **GOLF CLUB HEAD**

(75) Inventors: **Ryan Stokke**, Scottsdale, AZ (US);  
**Michael Nicolette**, Scottsdale, AZ (US)

(73) Assignee: **Karsten Manufacturing Corporation**,  
Phoenix, AZ (US)

(\*\*) Term: **14 Years**

(21) Appl. No.: **29/399,610**

(22) Filed: **Aug. 16, 2011**

(51) **LOC (9) Cl.** ..... **21-02**

(52) **U.S. Cl.** ..... **D21/743**

(58) **Field of Classification Search** ..... D21/736-746,  
D21/759; 473/324-331, 340-341, 251-256  
See application file for complete search history.

(56) **References Cited**

**U.S. PATENT DOCUMENTS**

3,884,477	A	5/1975	Bianco	
4,030,766	A	6/1977	Derr	
D277,692	S *	2/1985	MacDougall	..... D21/745
D316,129	S	4/1991	Bryson	
D368,752	S *	4/1996	Patten	..... D21/745
D377,067	S *	12/1996	Wiens et al.	..... D21/745
D382,615	S *	8/1997	Schaeffer et al.	..... D21/745
D405,137	S *	2/1999	Nelson	..... D21/738
6,159,108	A	12/2000	De La Pena	
6,379,259	B1	4/2002	Opie	
D465,820	S *	11/2002	Lizenbery	..... D21/738
D488,526	S	4/2004	Souza	
D500,109	S	12/2004	Solheim	
D500,110	S	12/2004	Solheim	
6,837,801	B1	1/2005	Souza	
6,878,071	B1	4/2005	Schwieger	
6,893,355	B2	5/2005	Souza	
6,902,496	B2	6/2005	Solheim	
D507,612	S	7/2005	Souza	

6,926,615	B1	8/2005	Souza	
D510,114	S *	9/2005	Lizenbery	..... D21/736
6,960,140	B2	11/2005	Solheim	
6,966,845	B2	11/2005	Solheim	
D520,584	S	5/2006	Karlsen	
D521,582	S	5/2006	Souza	
7,052,411	B2	5/2006	Solheim	
D522,598	S	6/2006	Solheim	

(Continued)

**OTHER PUBLICATIONS**

Stina Sternberg and Ashley Mayo, "2008 Spring Equipment Preview," Golf for Women, May-Jun. 2008 at 114.

(Continued)

*Primary Examiner* — Mitchell Siegel

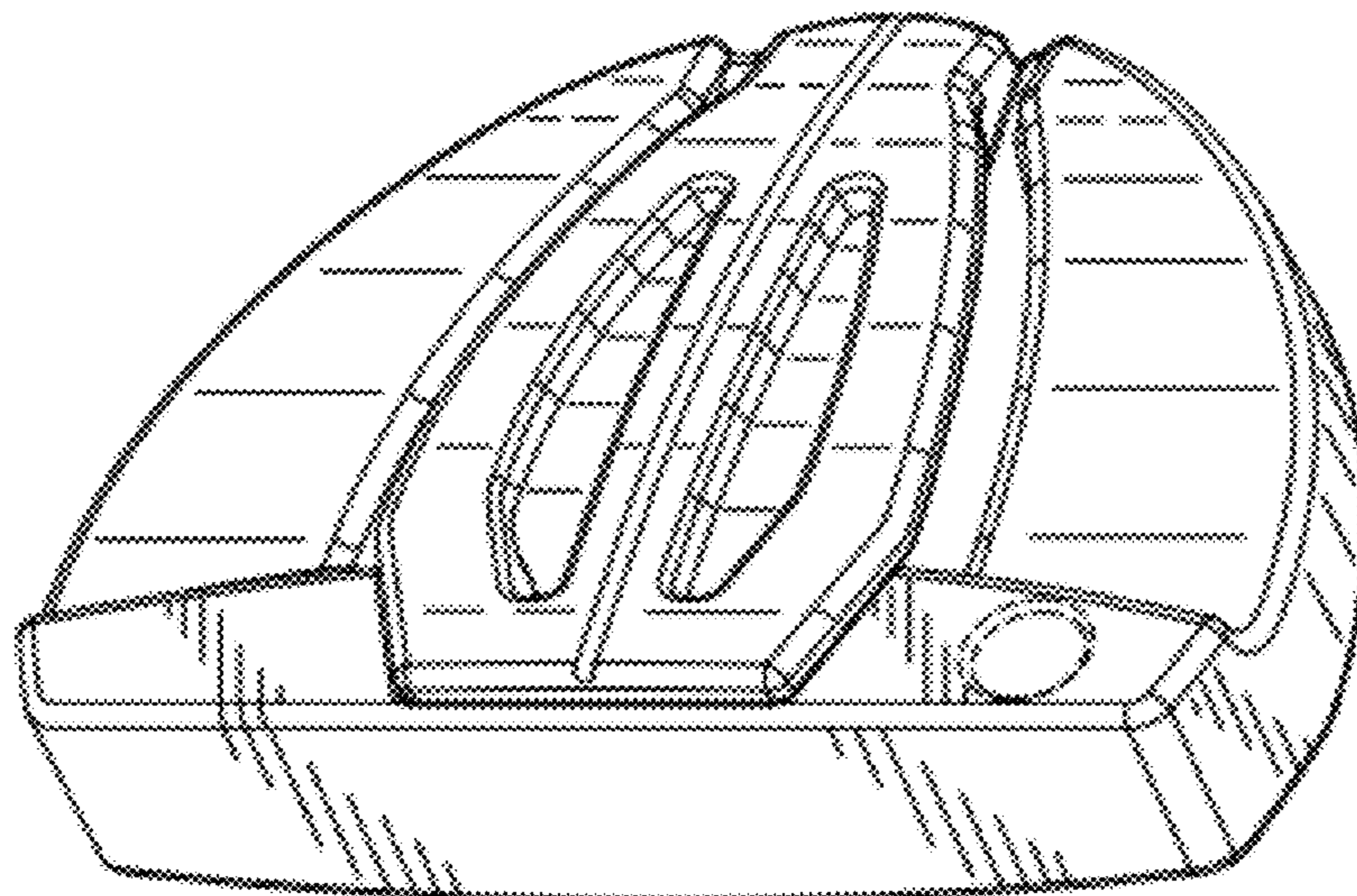
(57) **CLAIM**

The ornamental design for a golf club head, as shown and described.

**DESCRIPTION**

FIG. 1 is a top perspective view of a golf club head; FIG. 2 is a bottom perspective view of the golf club head of FIG. 1; FIG. 3 is a front elevational view of the golf club head of FIG. 1; FIG. 4 is a rear elevational view of the golf club head of FIG. 1; FIG. 5 is a top view of the golf club head of FIG. 1; FIG. 6 is a bottom view of the golf club head of FIG. 1; FIG. 7 is a left side view of the golf club head of FIG. 1; and, FIG. 8 is a right side view of the golf club head of FIG. 1. The broken lines shown in one or more of the figures are for illustrative purposes only and form no part of the claimed design.

**1 Claim, 4 Drawing Sheets**



# US D653,718 S

Page 2

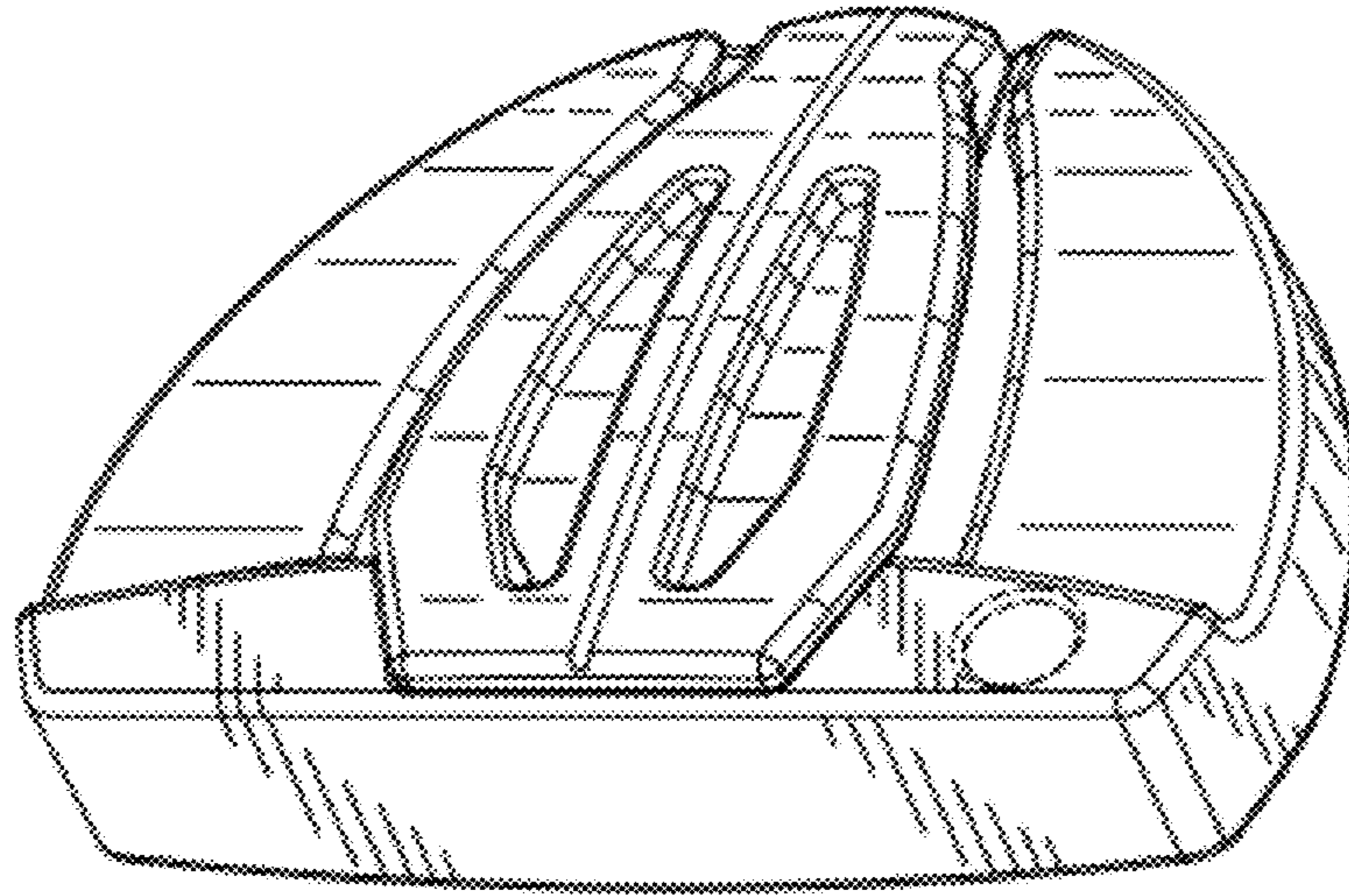
## U.S. PATENT DOCUMENTS

7,077,758	B2	7/2006	Rohrer	7,803,066	B2	9/2010	Solheim
7,086,957	B2	8/2006	Solheim	D638,891	S *	5/2011	Nicolette et al. .... D21/736
D527,777	S	9/2006	Solheim	D643,080	S	8/2011	Serrano
D529,108	S	9/2006	Stites	D643,485	S *	8/2011	Nicolette et al. .... D21/736
D533,243	S	12/2006	Fife, Jr.	D643,486	S	8/2011	Serrano
7,235,021	B2	6/2007	Solheim	D643,487	S	8/2011	Serrano
D548,295	S	8/2007	Jertson	D645,104	S *	9/2011	Nicolette et al. .... D21/759
7,255,650	B2	8/2007	Bryant	D646,737	S *	10/2011	Pimentel ..... D21/736
D552,197	S	10/2007	Wells	2005/0170904	A1	8/2005	Smeeth
D565,137	S	3/2008	Oldknow	2006/0094533	A1	5/2006	Warren
D581,473	S	11/2008	Thomas	2006/0166755	A1	7/2006	Brown
D583,003	S	12/2008	Solheim	2007/0191135	A1	8/2007	Nilsson
D587,325	S	2/2009	Solheim	2009/0270196	A1	10/2009	Solheim
D600,760	S	9/2009	Serrano	2009/0305807	A1	12/2009	Solheim
D600,761	S	9/2009	Solheim	2010/0227704	A1	9/2010	Souza
D600,762	S	9/2009	Serrano				
D607,950	S	1/2010	Souza				
D621,458	S	8/2010	Serrano				
D621,460	S	8/2010	Serrano				
D621,461	S	8/2010	Serrano				
D621,462	S	8/2010	Serrano				
D621,891	S	8/2010	Serrano				

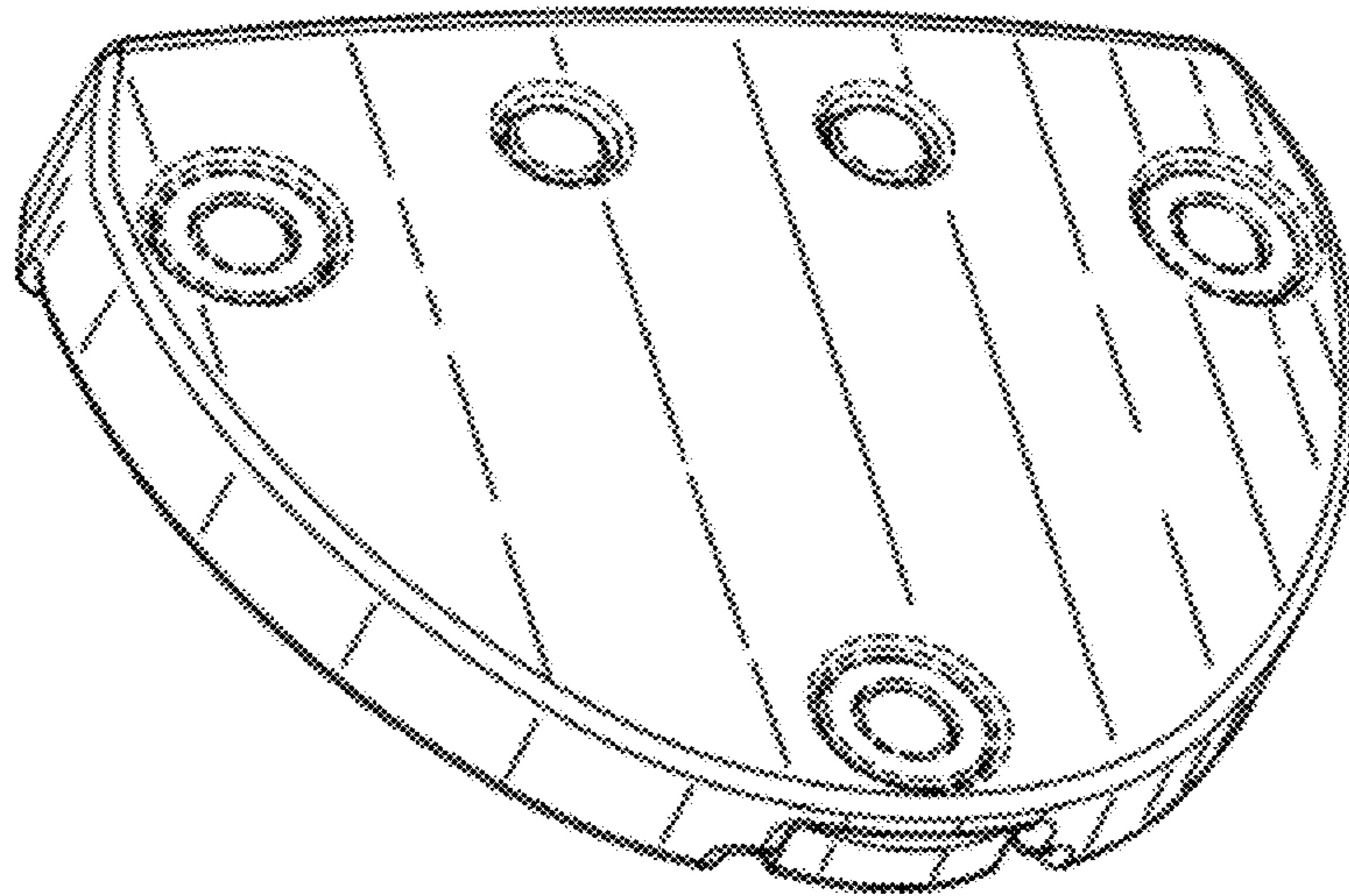
## OTHER PUBLICATIONS

Stina Sternberg, "Hot List 2008—Putters," Golf Digest Feb. 2008 at 158-169 also available at: <http://www.golfdigest.com/equipment/ratings>.

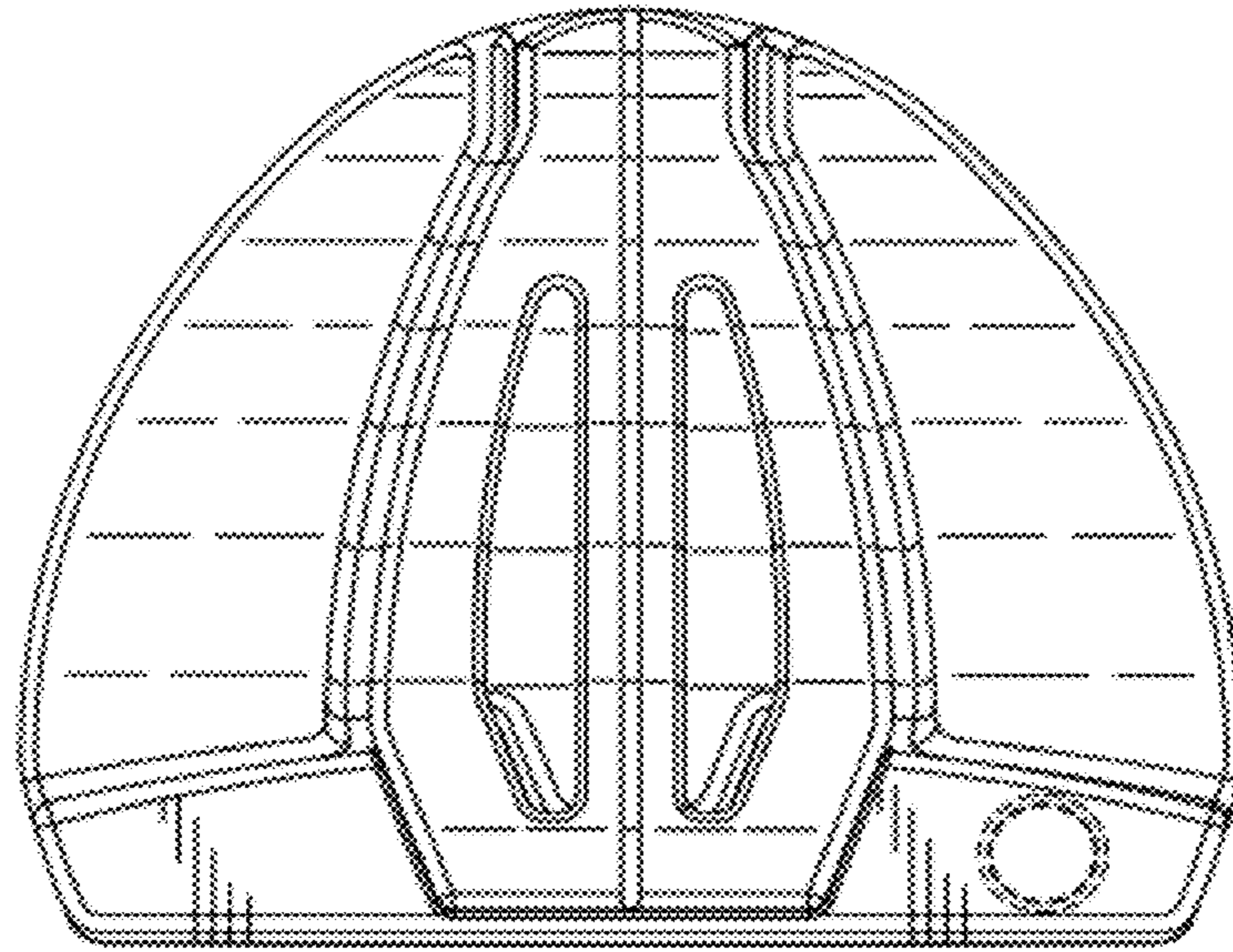
\* cited by examiner



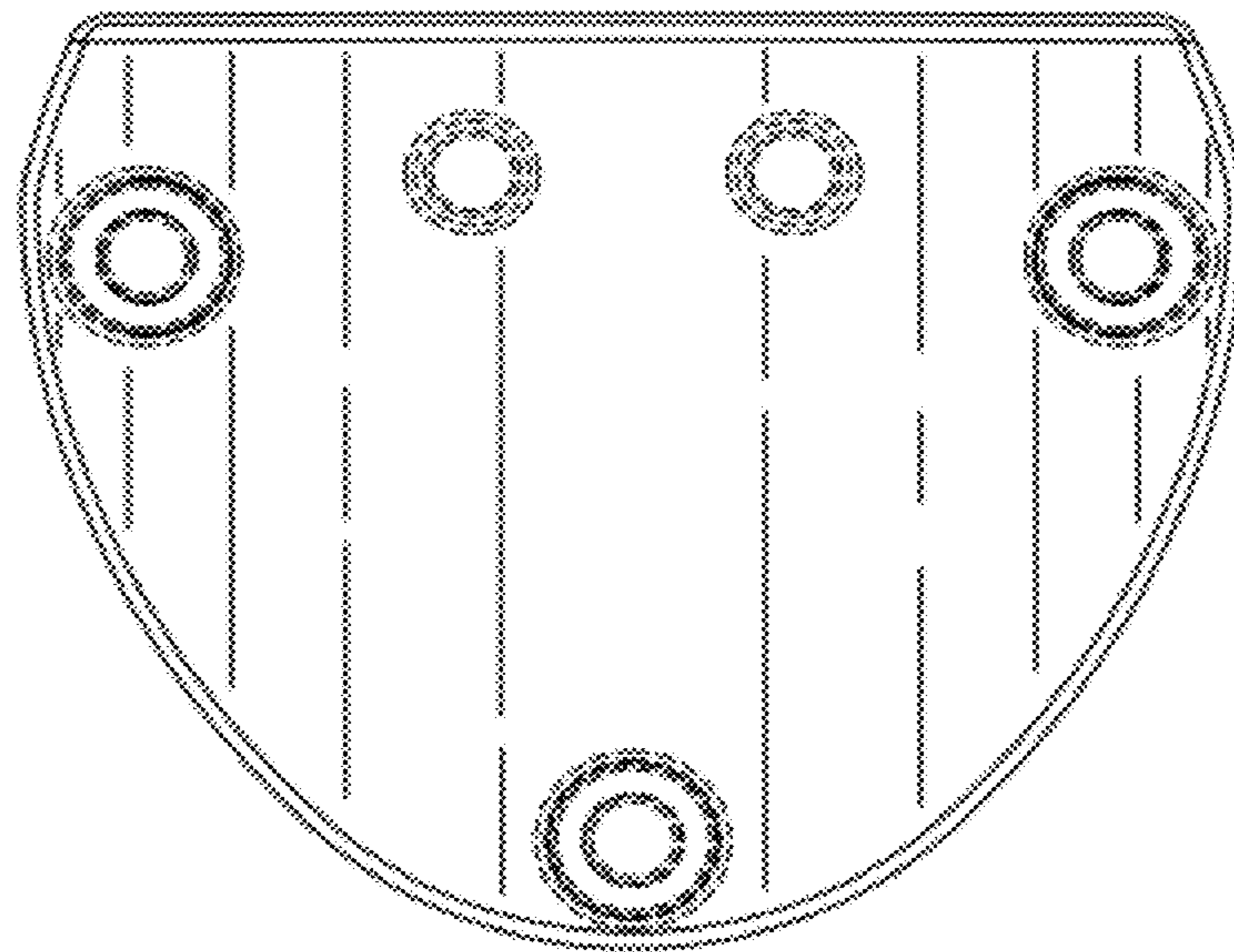
*FIG. 1*



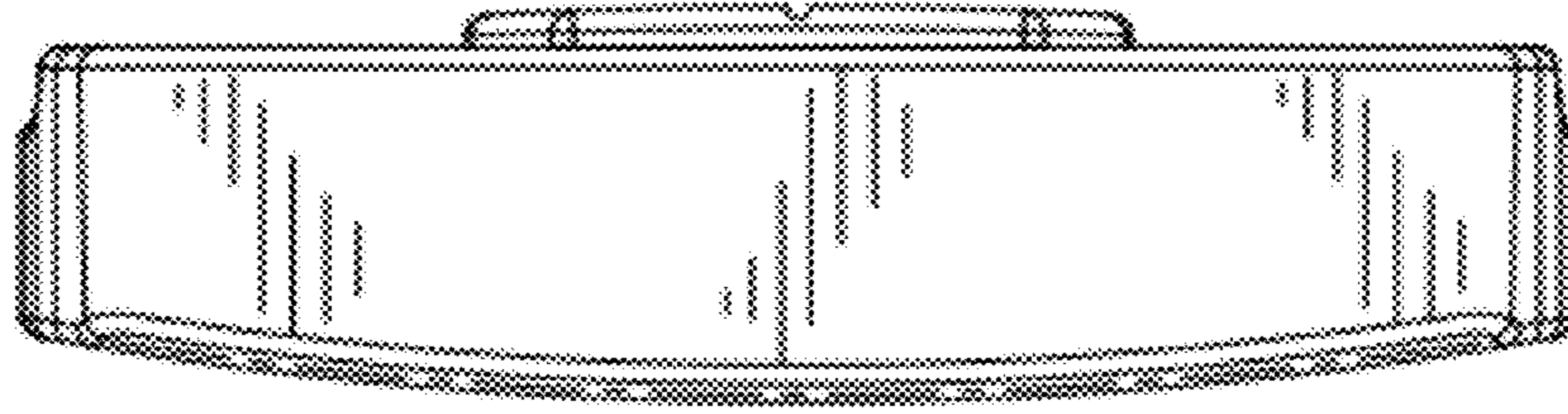
*FIG. 2*



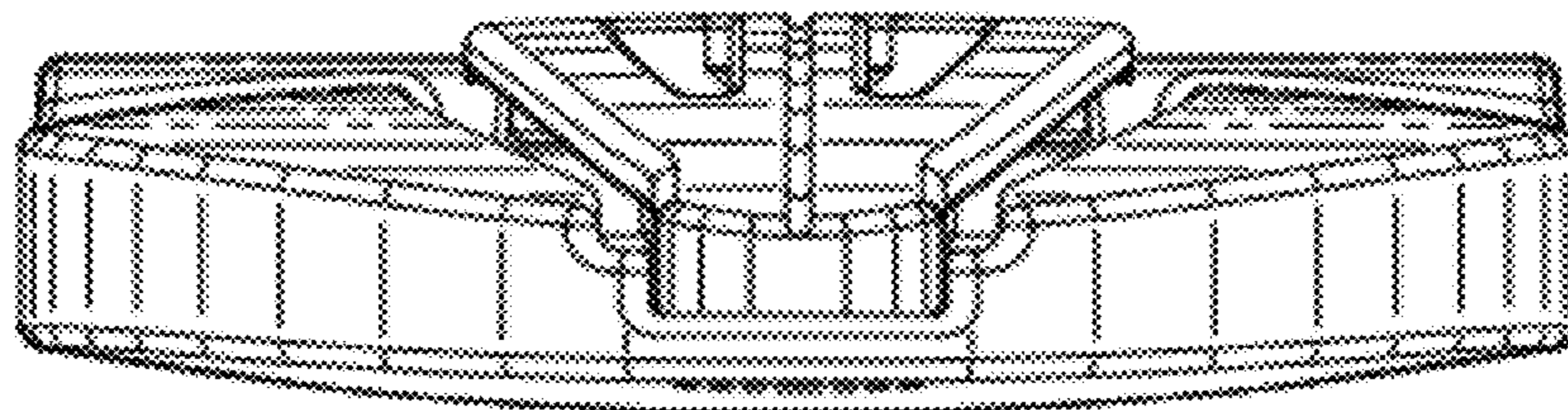
*FIG. 3*



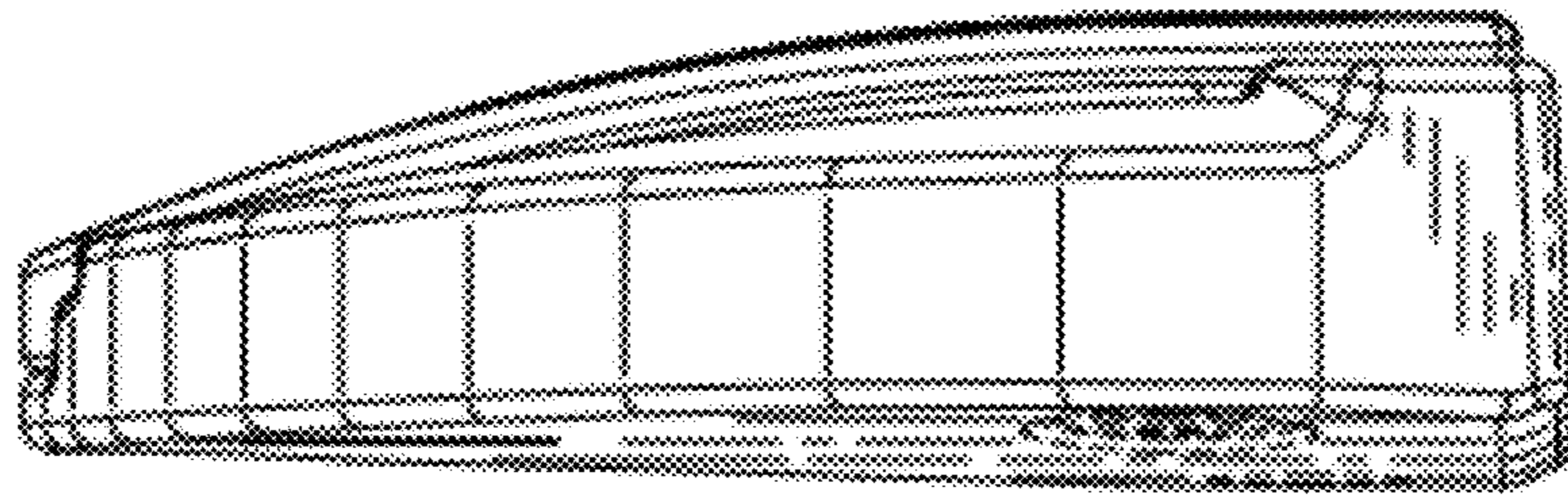
*FIG. 4*



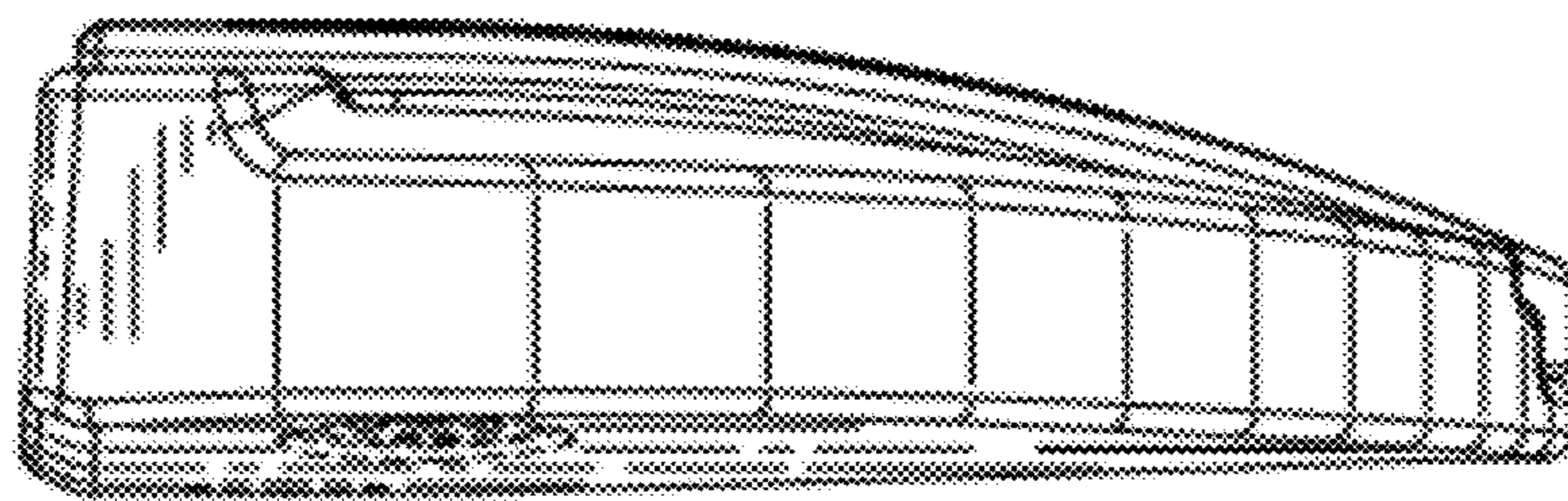
*FIG. 5*



*FIG. 6*



*FIG. 7*



*FIG. 8*