



US00D653716S

(12) **United States Design Patent**  
**Lin**

(10) **Patent No.:** **US D653,716 S**  
(45) **Date of Patent:** **\*\* Feb. 7, 2012**

(54) **KETTLE DUMBBELL**  
(76) Inventor: **Chieh-Jen Lin**, New Taipei (TW)  
(\*\*) Term: **14 Years**  
(21) Appl. No.: **29/399,029**  
(22) Filed: **Aug. 9, 2011**  
(51) **LOC (9) Cl.** ..... **21-02**  
(52) **U.S. Cl.** ..... **D21/682**  
(58) **Field of Classification Search** ..... D21/662,  
D21/677-678, 680-685, 692, 694; 482/92-94,  
482/97-111, 114-115, 138  
See application file for complete search history.

2009/0093348 A1\* 4/2009 Wang ..... 482/93  
2010/0210427 A1\* 8/2010 Yu ..... 482/93  
2010/0331151 A1\* 12/2010 Signorile et al. .... 482/93  
2011/0263392 A1\* 10/2011 Yu ..... 482/93

\* cited by examiner

*Primary Examiner* — Susan E Krakower  
(74) *Attorney, Agent, or Firm* — Leong C. Lei

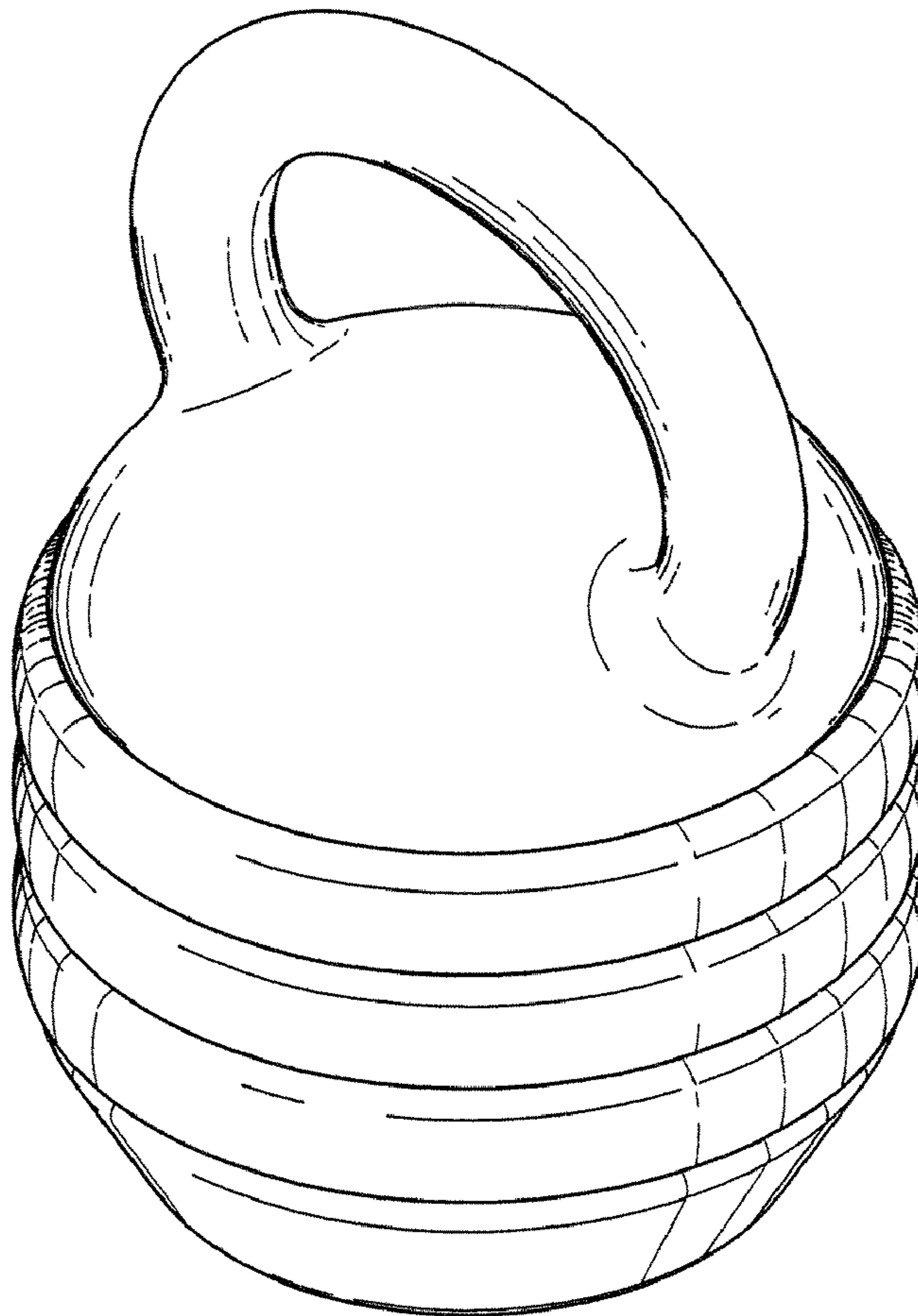
(57) **CLAIM**  
The ornamental design for a kettle dumbbell, as shown and described.

**DESCRIPTION**

FIG. 1 is a front perspective view of a kettle dumbbell showing my new design;  
FIG. 2 is a front elevational view thereof;  
FIG. 3 is a rear elevational view thereof;  
FIG. 4 is a left elevational view thereof;  
FIG. 5 is a right elevational view thereof;  
FIG. 6 is a top plan view thereof; and,  
FIG. 7 is a bottom plan view thereof.  
The broken lines illustrate portions of the kettle dumbbell which form no part of the claimed design.

(56) **References Cited**  
**U.S. PATENT DOCUMENTS**  
1,316,683 A \* 9/1919 Calvert ..... 482/93  
D522,594 S \* 6/2006 Donahue et al. .... D21/682  
D522,595 S \* 6/2006 Donahue et al. .... D21/682  
7,491,157 B1 \* 2/2009 Lin ..... 482/108  
7,563,208 B1 \* 7/2009 Chen ..... 482/93  
7,731,640 B1 \* 6/2010 Chen ..... 482/93  
7,811,212 B2 \* 10/2010 Chen ..... 482/107  
2007/0135274 A1 \* 6/2007 Blateri ..... 482/109  
2008/0081744 A1 \* 4/2008 Gormley ..... 482/93

**1 Claim, 6 Drawing Sheets**



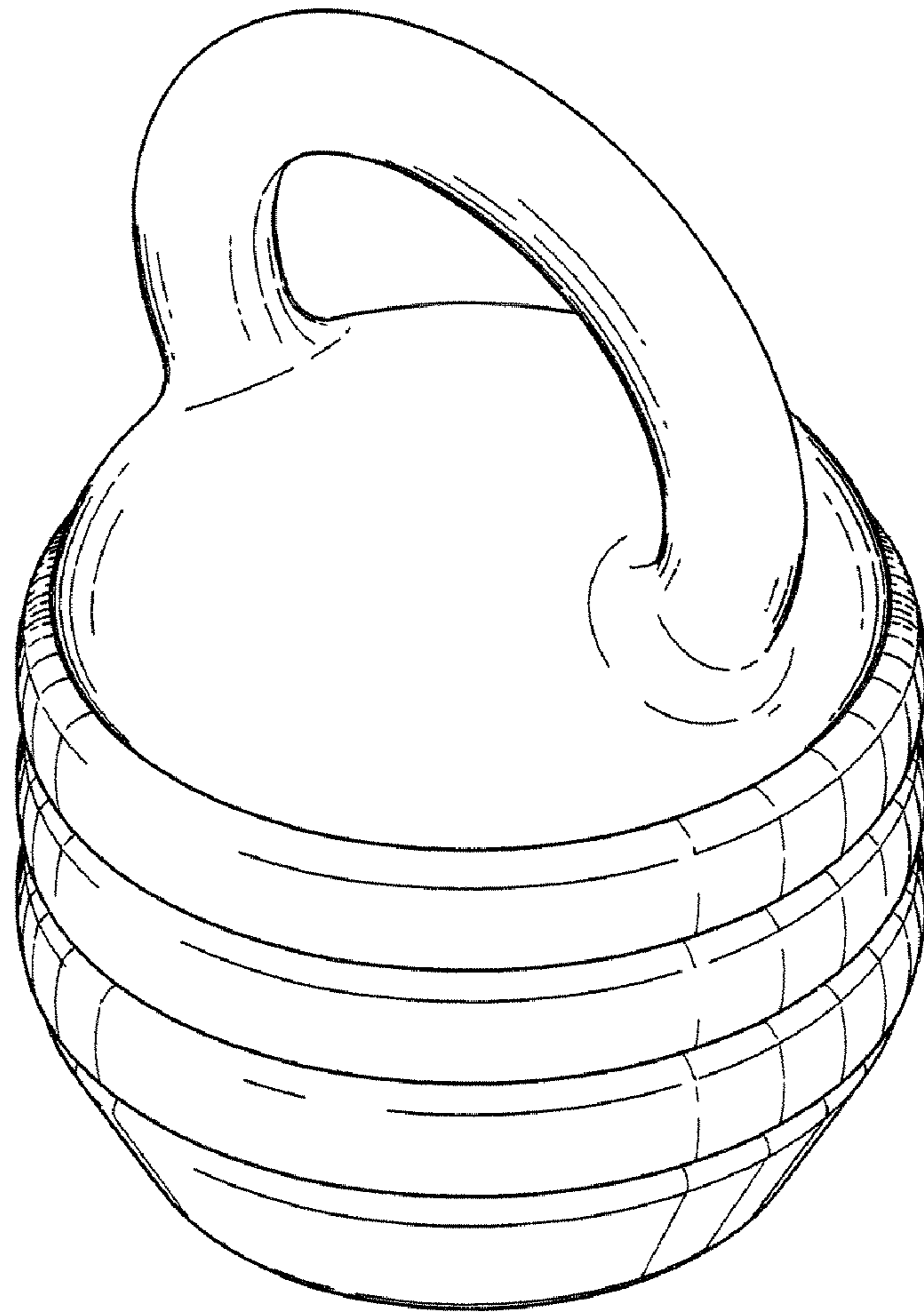


FIG. 1

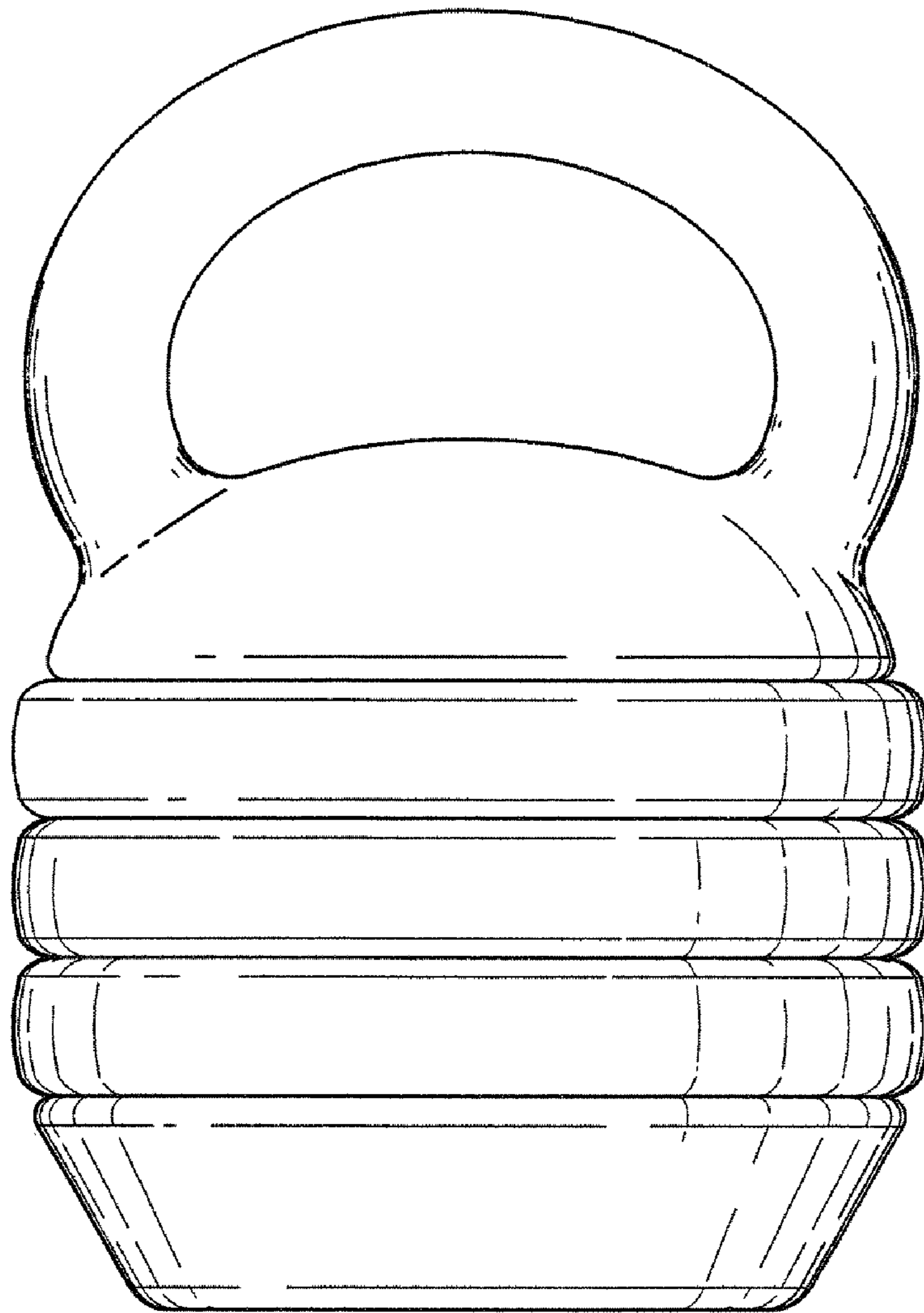


FIG. 2

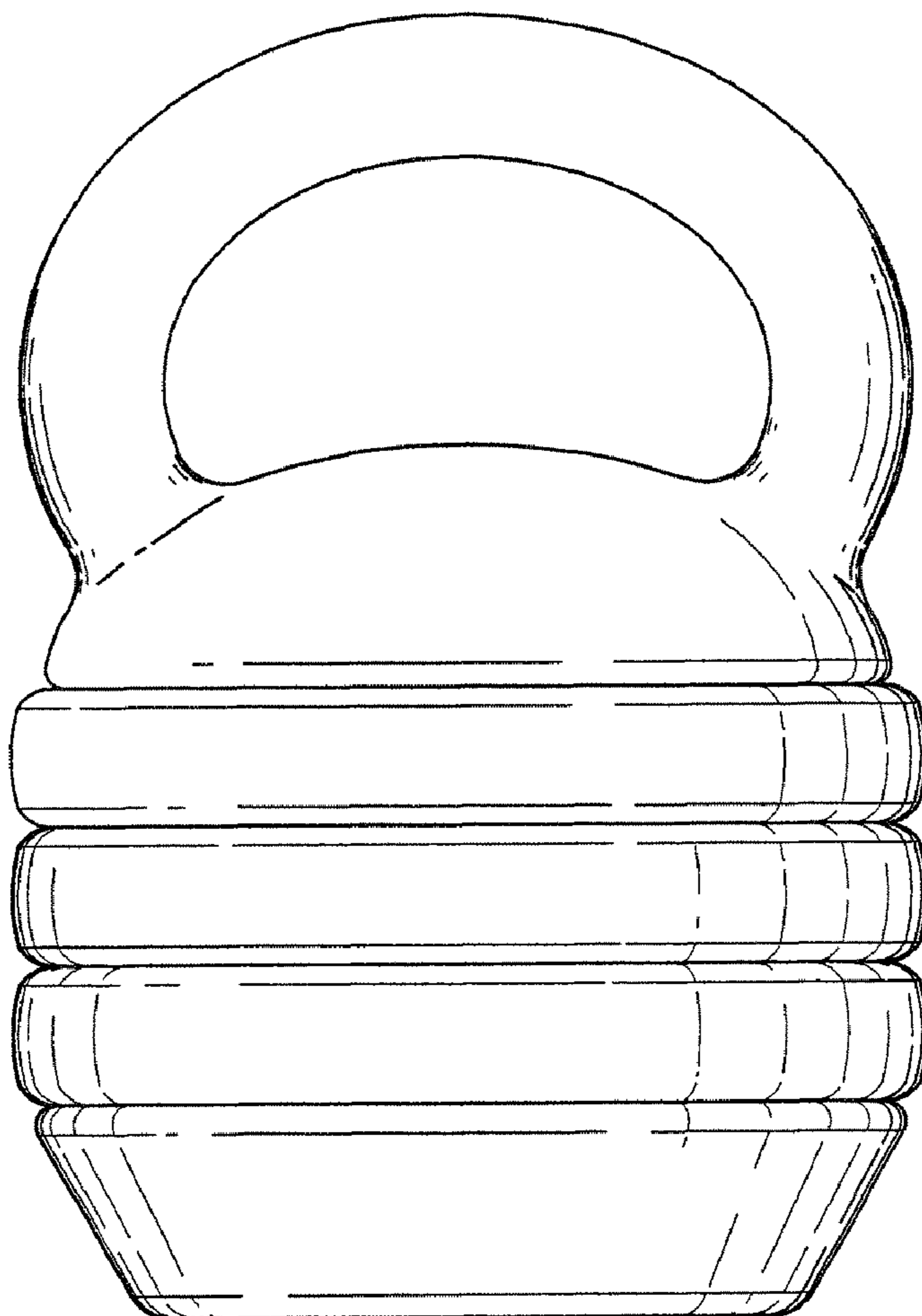


FIG. 3

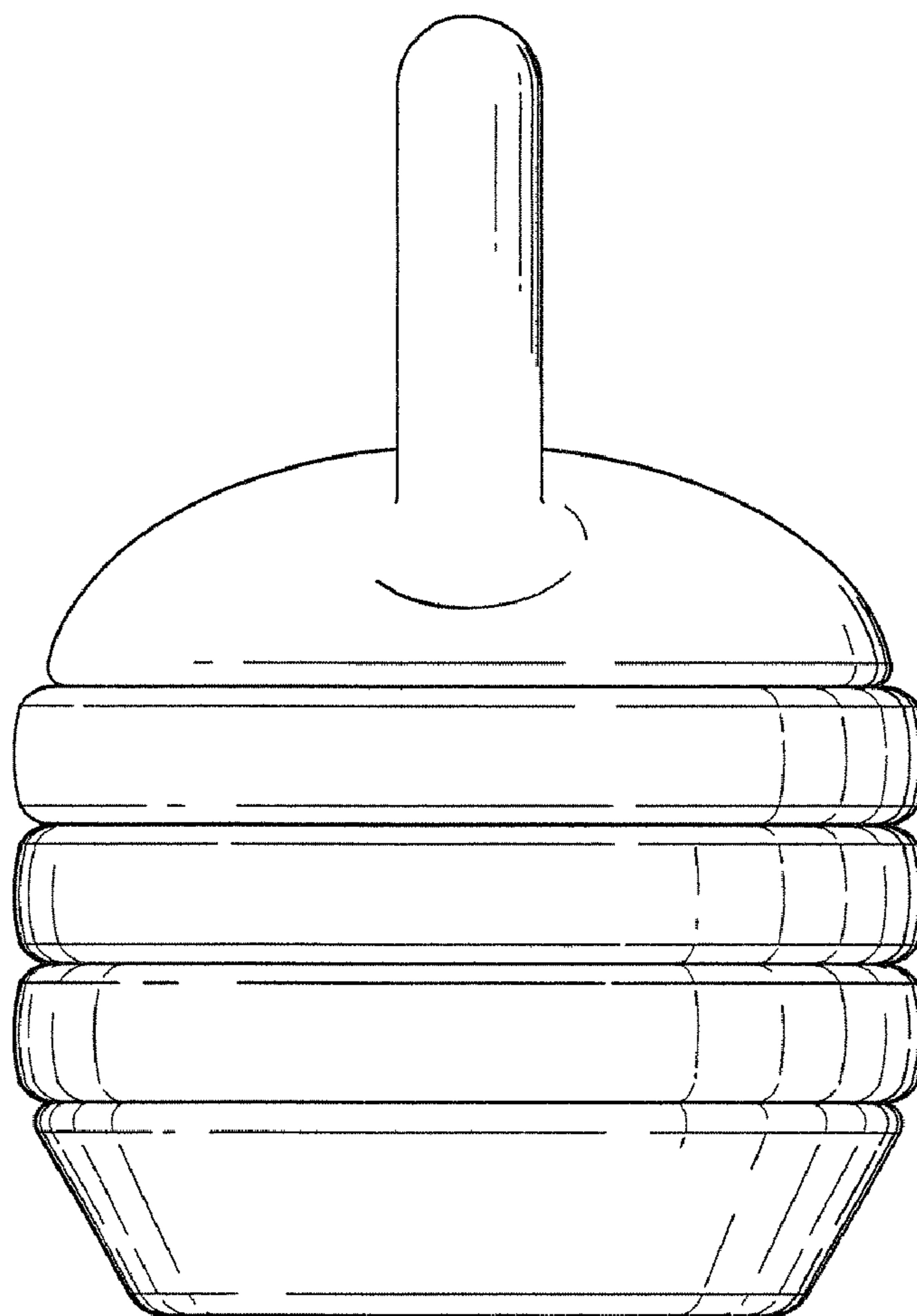


FIG. 4

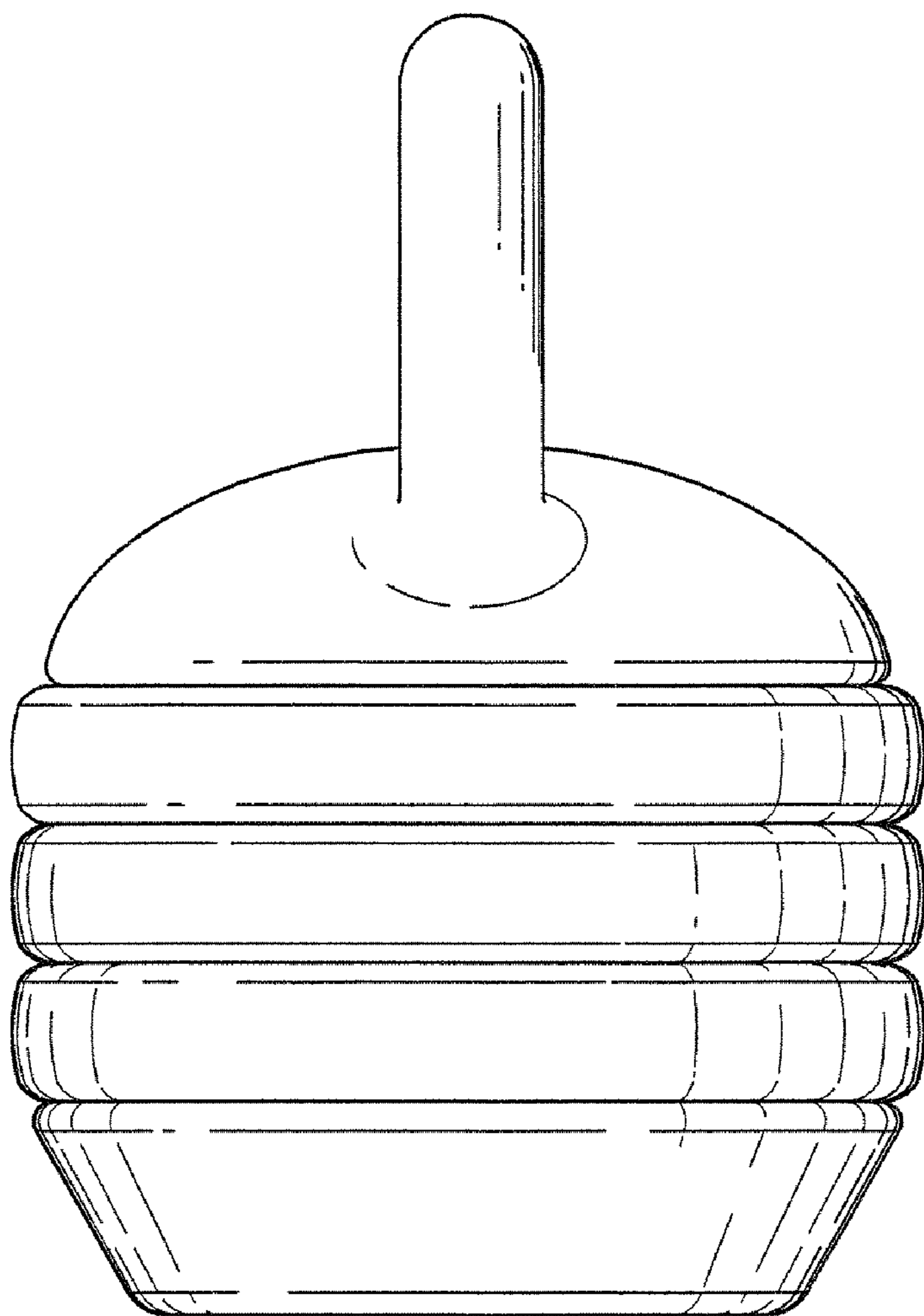


FIG. 5

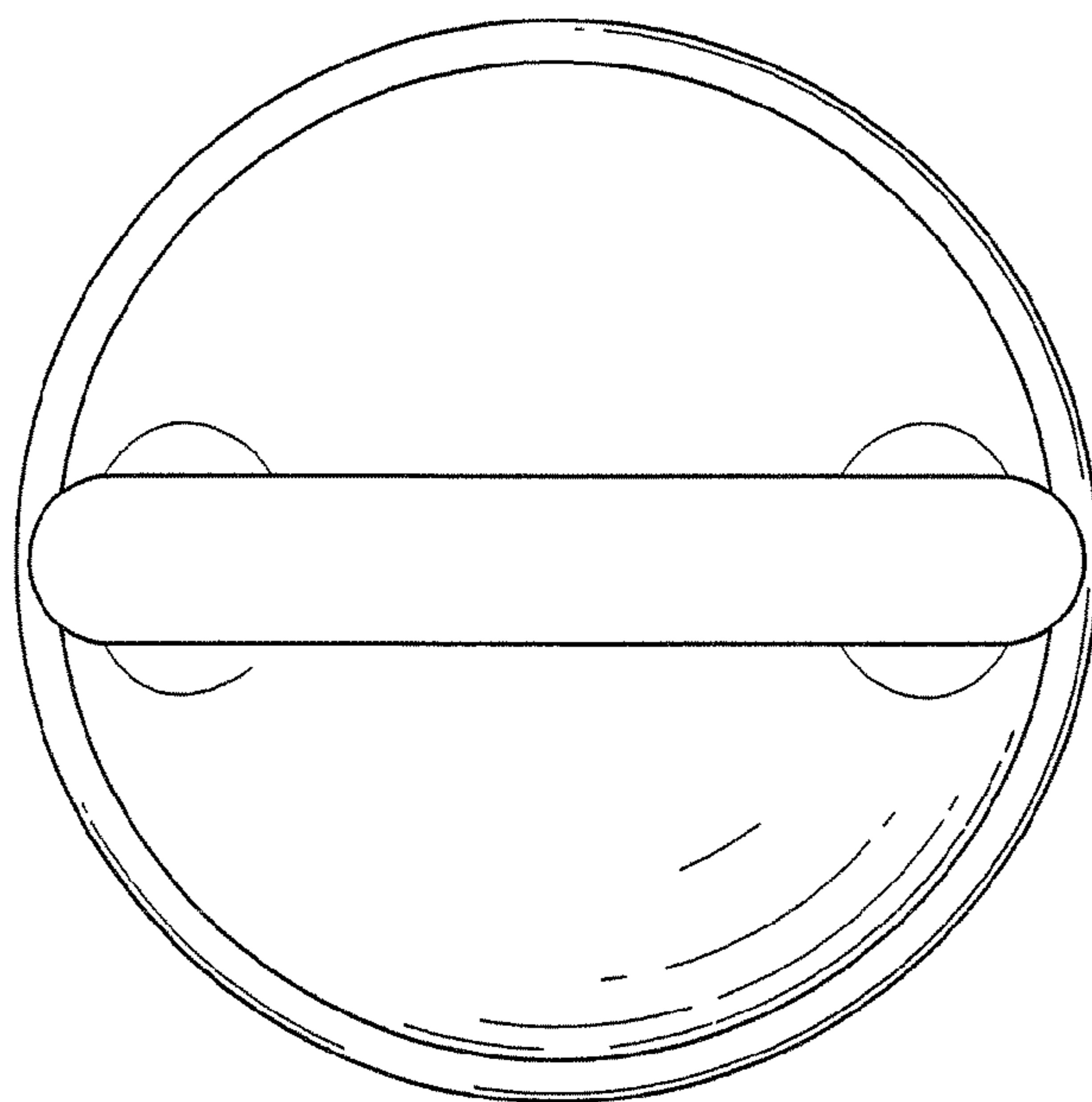


FIG. 6

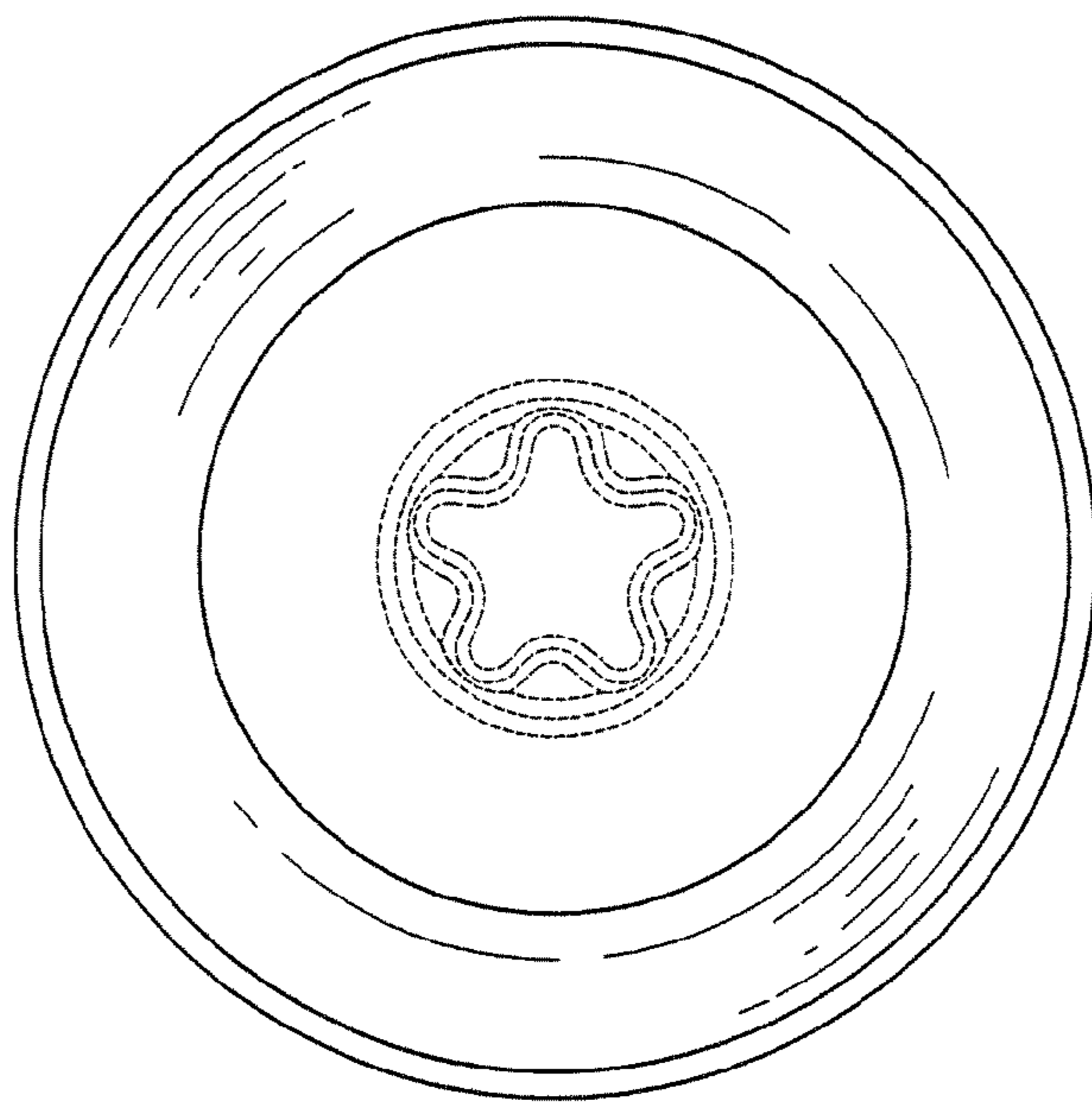


FIG. 7