



US00D653715S

(12) **United States Design Patent**
Tumminia

(10) **Patent No.:** **US D653,715 S**

(45) **Date of Patent:** **** Feb. 7, 2012**

(54) **KETTLEBELL**

(76) Inventor: **Ronald A. Tumminia**, Lake Mary, FL
(US)

(**) Term: **14 Years**

(21) Appl. No.: **29/373,718**

(22) Filed: **May 16, 2011**

(51) **LOC (9) Cl.** **21-02**

(52) **U.S. Cl.** **D21/679; D21/662; D21/694**

(58) **Field of Classification Search** D21/662,
D21/677-678, 680-685, 692, 694; 482/92-94,
482/97-111, 114-115, 138

See application file for complete search history.

(56) **References Cited**

U.S. PATENT DOCUMENTS

D212,104	S	*	8/1968	McDonald	D21/662
D247,789	S	*	4/1978	Belkir	D21/692
4,641,836	A	*	2/1987	Clifton	482/109
4,717,147	A	*	1/1988	Rochelle	482/93
5,072,933	A	*	12/1991	Diodati	482/93
5,281,192	A	*	1/1994	Nelson	482/93
5,827,157	A	*	10/1998	Lee	482/93
D416,959	S	*	11/1999	Tumminia	D21/662
6,689,022	B1	*	2/2004	Emick	482/93
D571,418	S	*	6/2008	Gormley	D21/694

7,491,157	B1	*	2/2009	Lin	482/108
2004/0082442	A1	*	4/2004	Beedy	482/93
2004/0162199	A1	*	8/2004	Connelly	482/107
2007/0184946	A1	*	8/2007	Kuhagen	482/110
2010/0029447	A1	*	2/2010	Song	482/93
2010/0190619	A1	*	7/2010	Chen	482/108

* cited by examiner

Primary Examiner — Susan E Krakower

(74) *Attorney, Agent, or Firm* — William M. Hobby, III

(57) **CLAIM**

The ornamental design for a kettlebell, as shown and described.

DESCRIPTION

FIG. 1 is a top and right side perspective view of my new kettlebell;

FIG. 2 is a front elevation thereof;

FIG. 3 is a rear elevation thereof;

FIG. 4 is a right side elevation thereof;

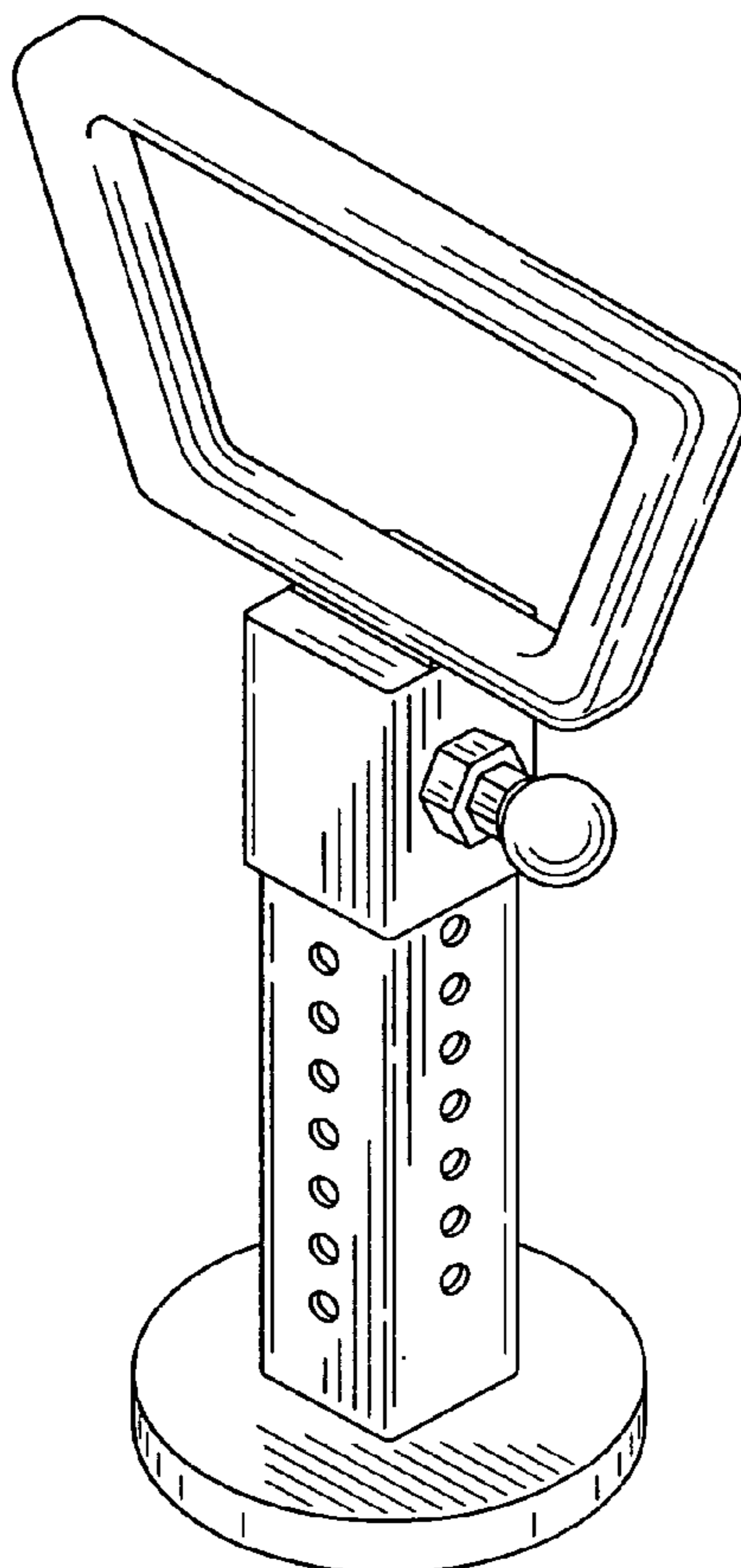
FIG. 5 is a left side elevation thereof;

FIG. 6 is a top plan view thereof; and,

FIG. 7 is a bottom plan view thereof.

The broken lines showing two barbells and lock pin in FIGS. 2-7 illustrate environmental structure which forms no part of the claimed design.

1 Claim, 2 Drawing Sheets



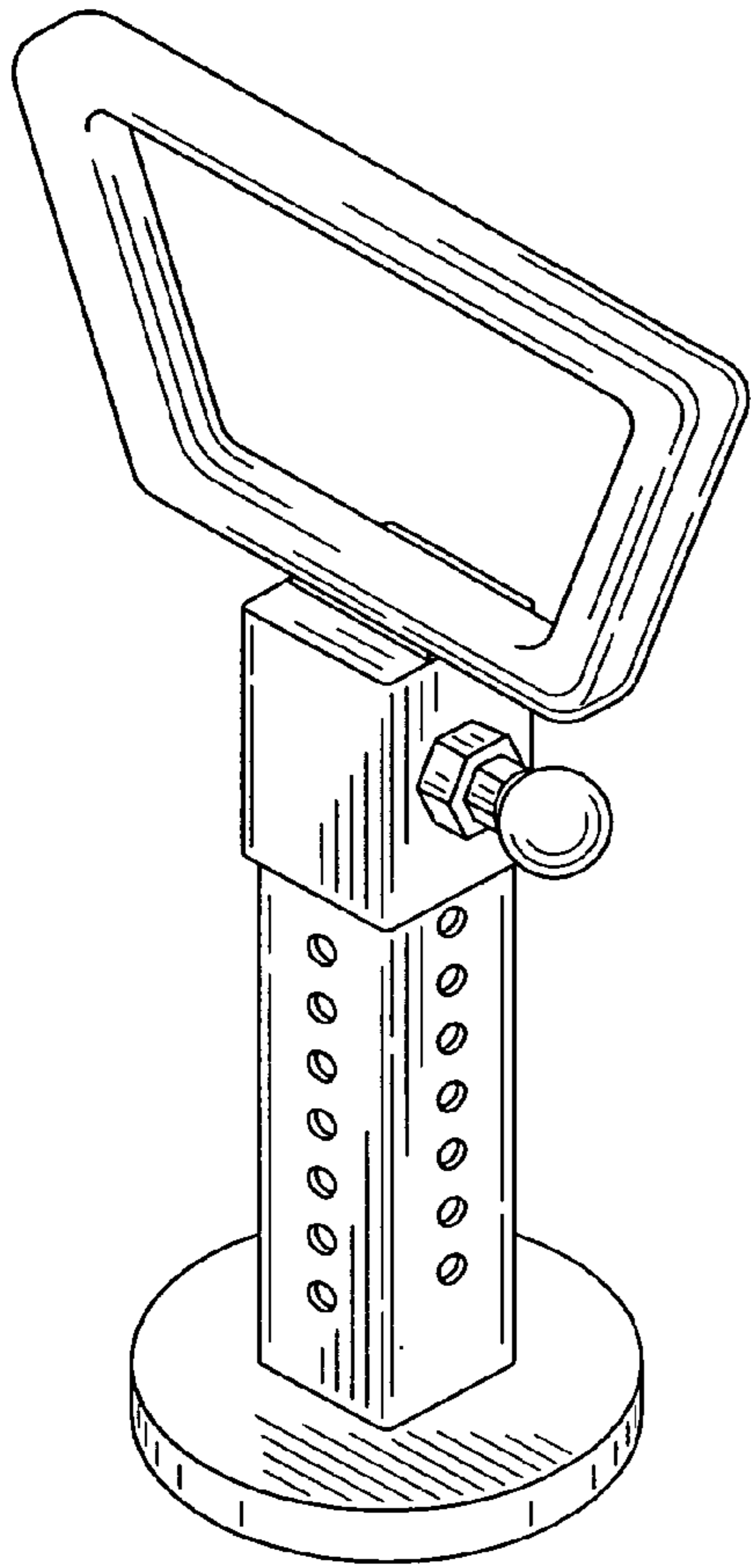


FIG. 1

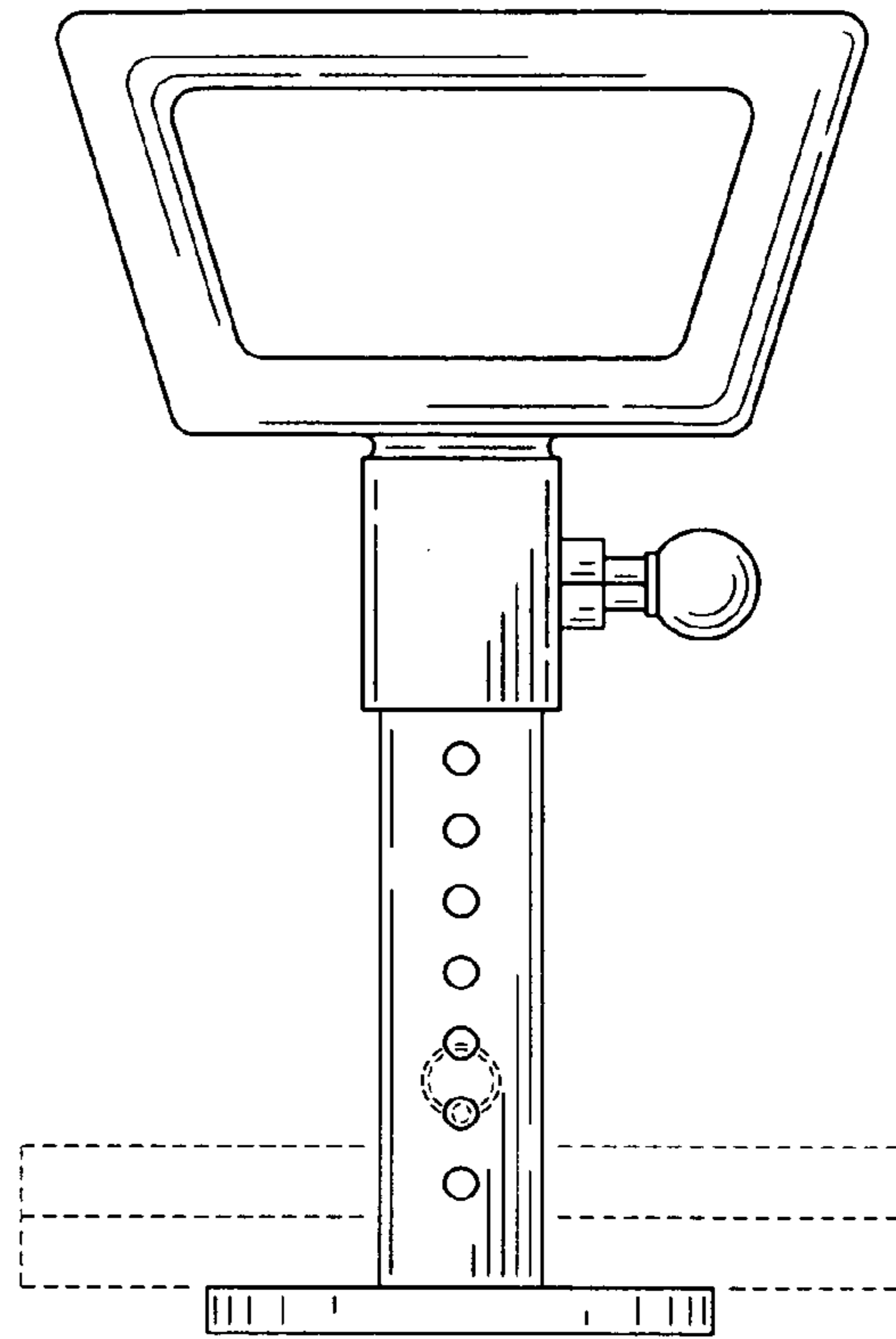


FIG. 2

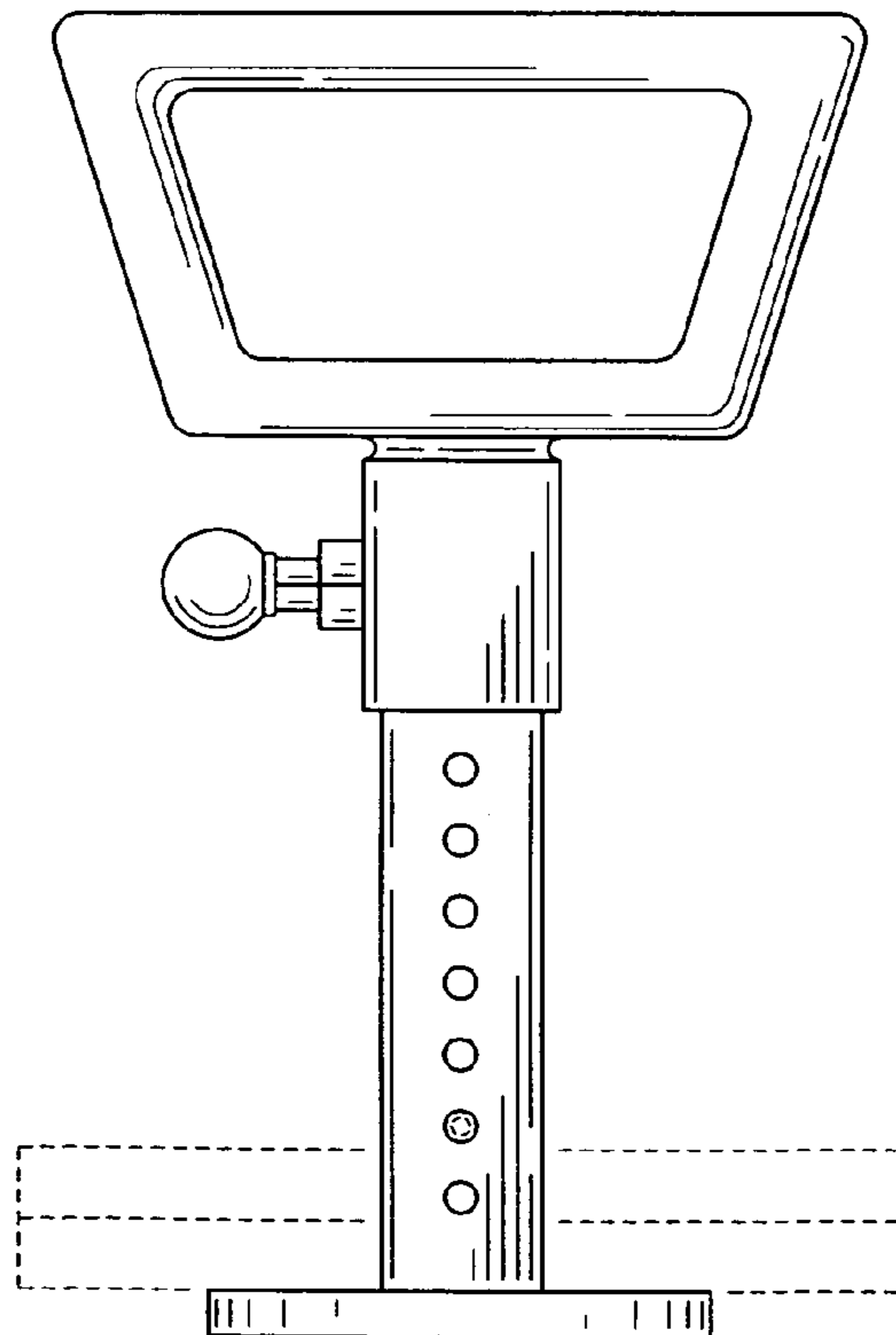


FIG. 3

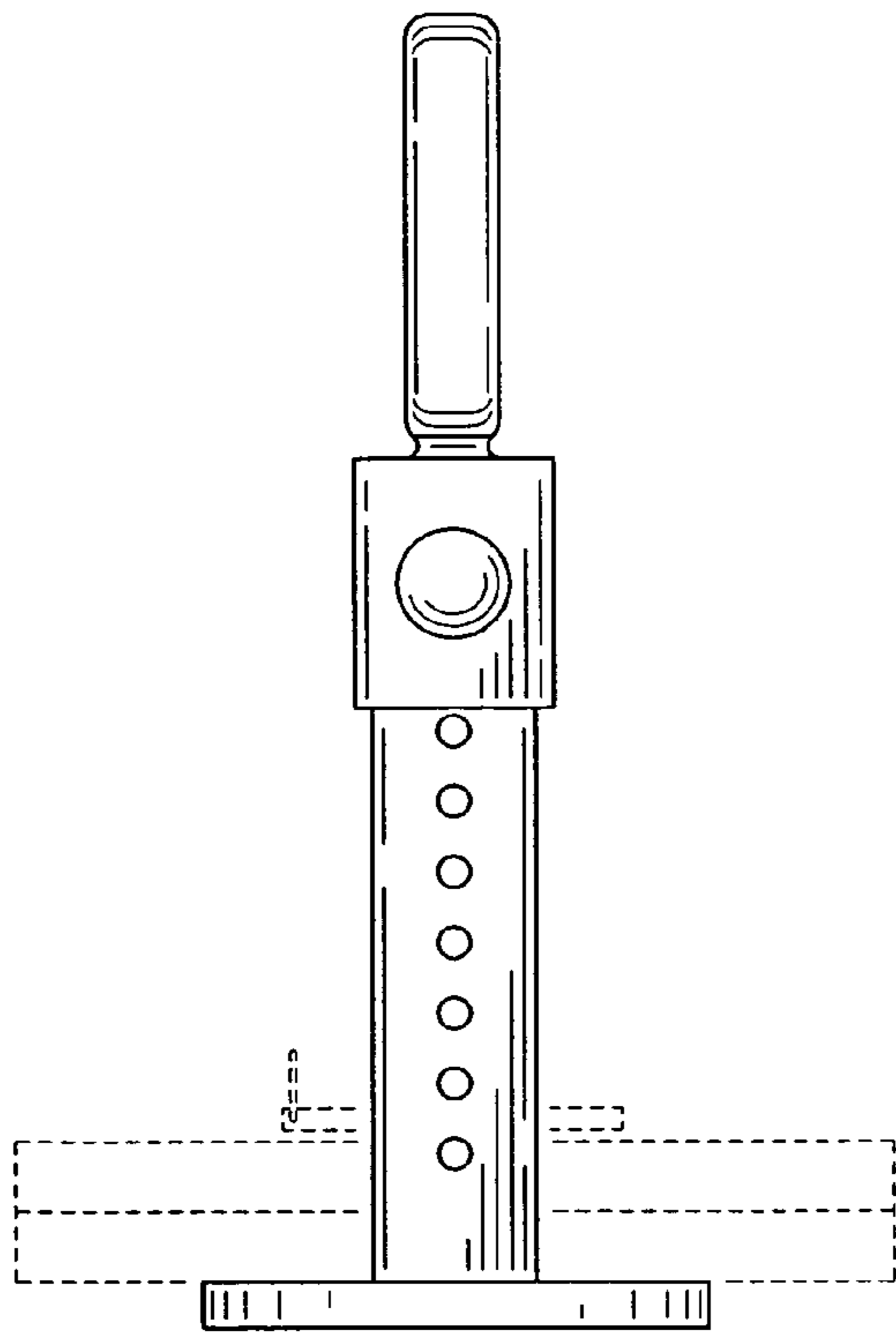


FIG. 4

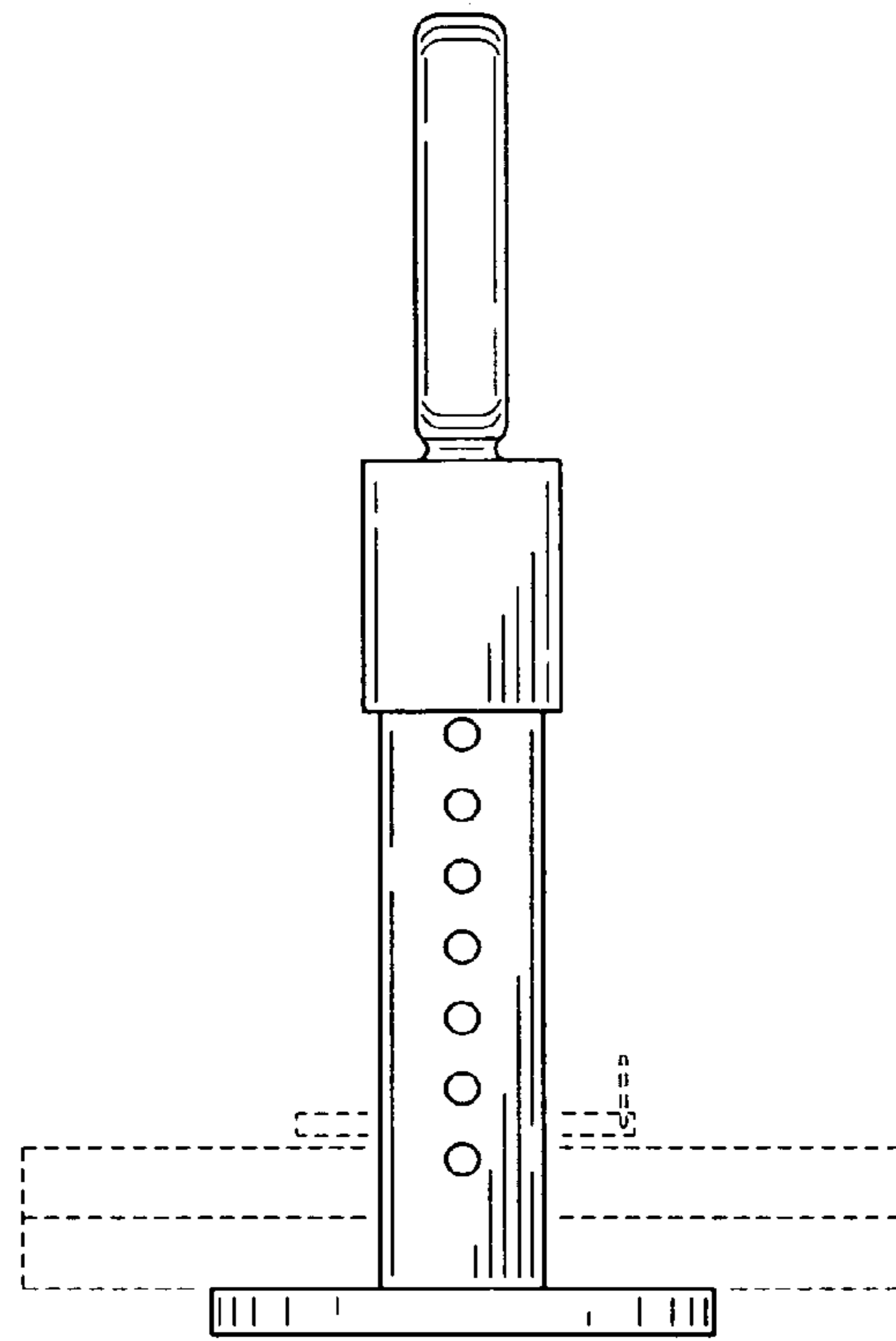


FIG. 5

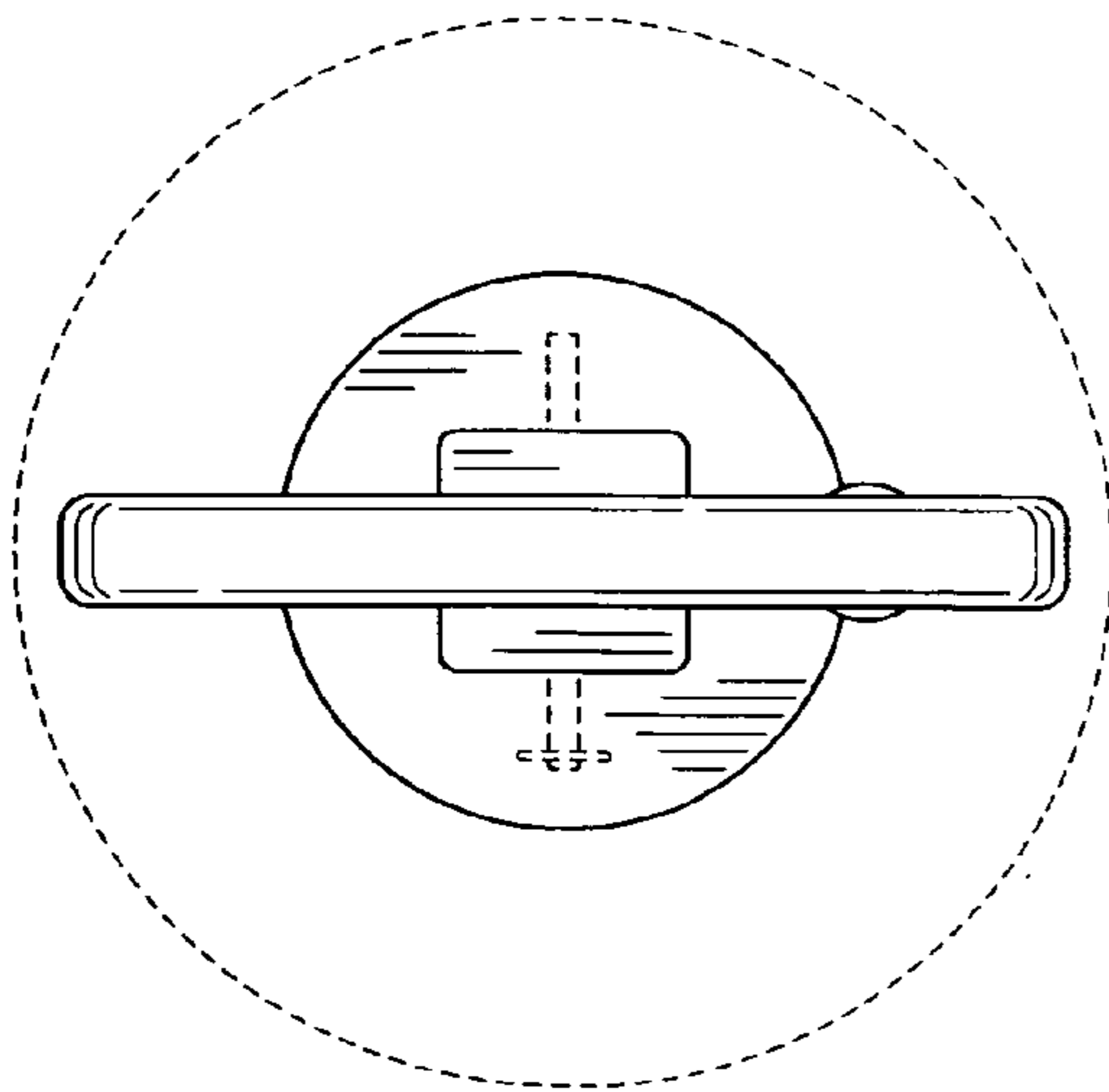


FIG. 6

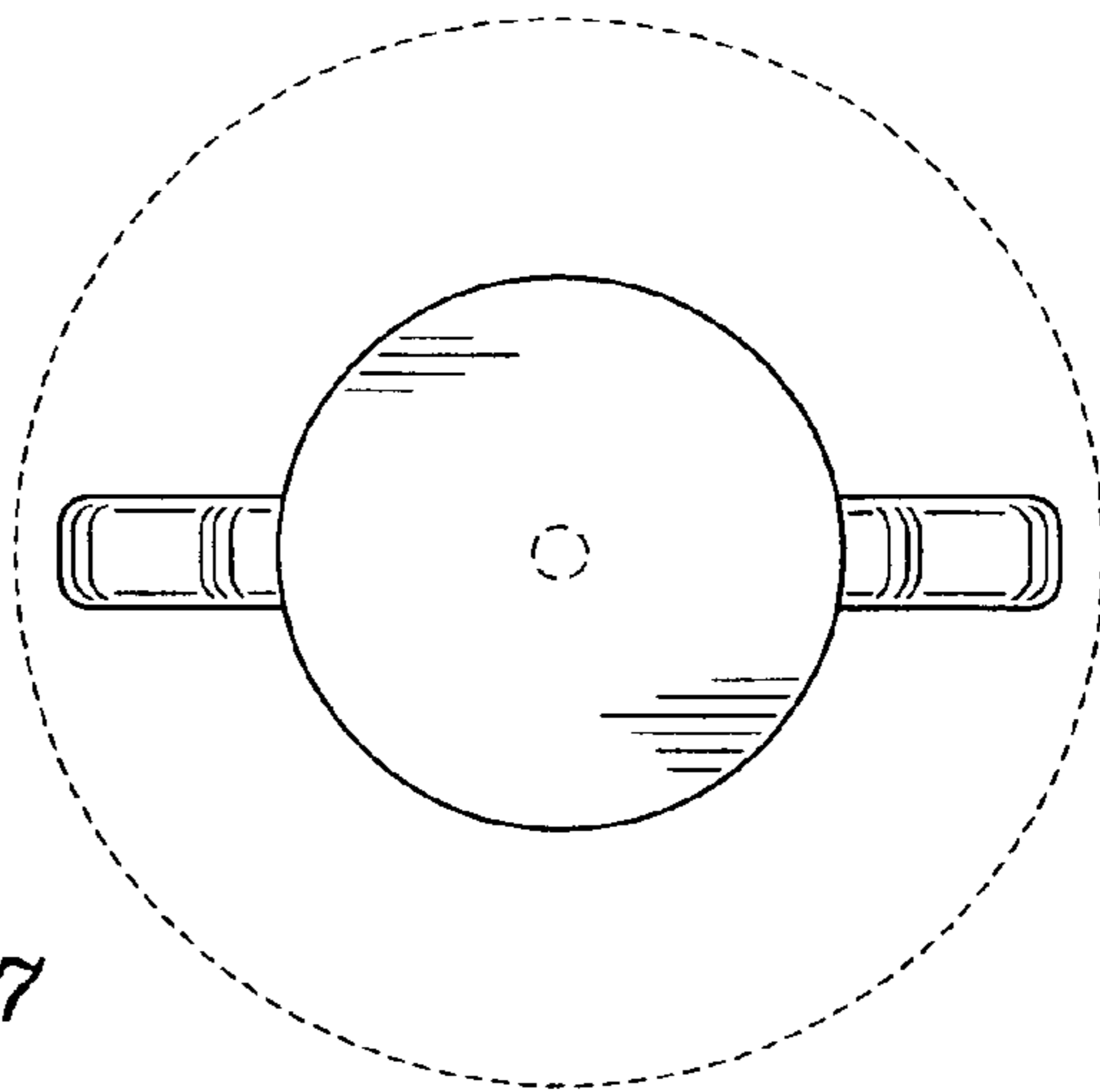


FIG. 7