



US00D653714S

(12) **United States Design Patent**
Meininger et al.

(10) **Patent No.:** **US D653,714 S**

(45) **Date of Patent:** **** Feb. 7, 2012**

(54) **UPPER BODY EXERCISE DEVICE**

(76) Inventors: **Justin B. Meininger**, Miami Beach, FL
(US); **Steven J. Miller**, Tamarac, FL
(US)

(**) Term: **14 Years**

(21) Appl. No.: **29/387,781**

(22) Filed: **Mar. 17, 2011**

(51) **LOC (9) Cl.** **21-02**

(52) **U.S. Cl.** **D21/662**

(58) **Field of Classification Search** D21/662,
D21/679, 680, 684, 686, 694; D24/211-215;
D8/90, 315-317; 482/62, 91, 92, 123, 132,
482/141-142; 601/80, 113, 125

See application file for complete search history.

(56) **References Cited**

U.S. PATENT DOCUMENTS

2,259,653	A *	10/1941	Mitchell	15/235.4
2,988,084	A *	6/1961	Douglas	601/80
3,584,871	A *	6/1971	Kelmon et al.	482/123
3,756,224	A *	9/1973	Laymon	601/125
D261,428	S *	10/1981	Noble	D24/211
4,351,525	A *	9/1982	Rozenblad	482/141

D269,376	S *	6/1983	Nakao et al.	D24/211
5,263,474	A *	11/1993	Agader	601/113
D525,508	S *	7/2006	Leonard, II	D8/90
7,468,025	B2 *	12/2008	Hauser et al.	482/141
D585,947	S *	2/2009	Royster	D21/662
7,896,788	B1 *	3/2011	Schall	482/141
8,016,732	B2 *	9/2011	Susnjara	482/142

* cited by examiner

Primary Examiner — Susan E Krakower

(74) *Attorney, Agent, or Firm* — The Miller Law Offices
PLC; Steven J. Miller, Esq.

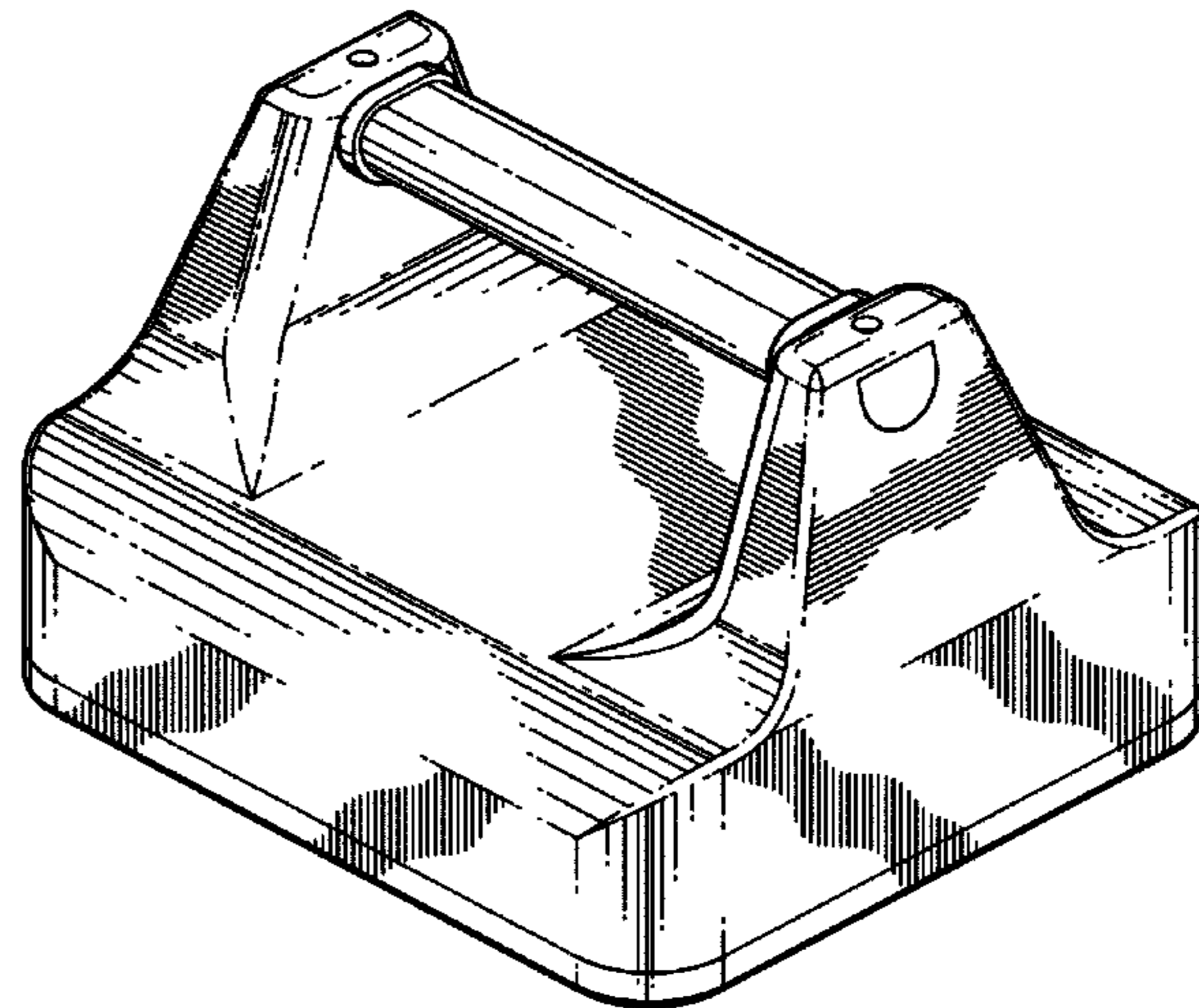
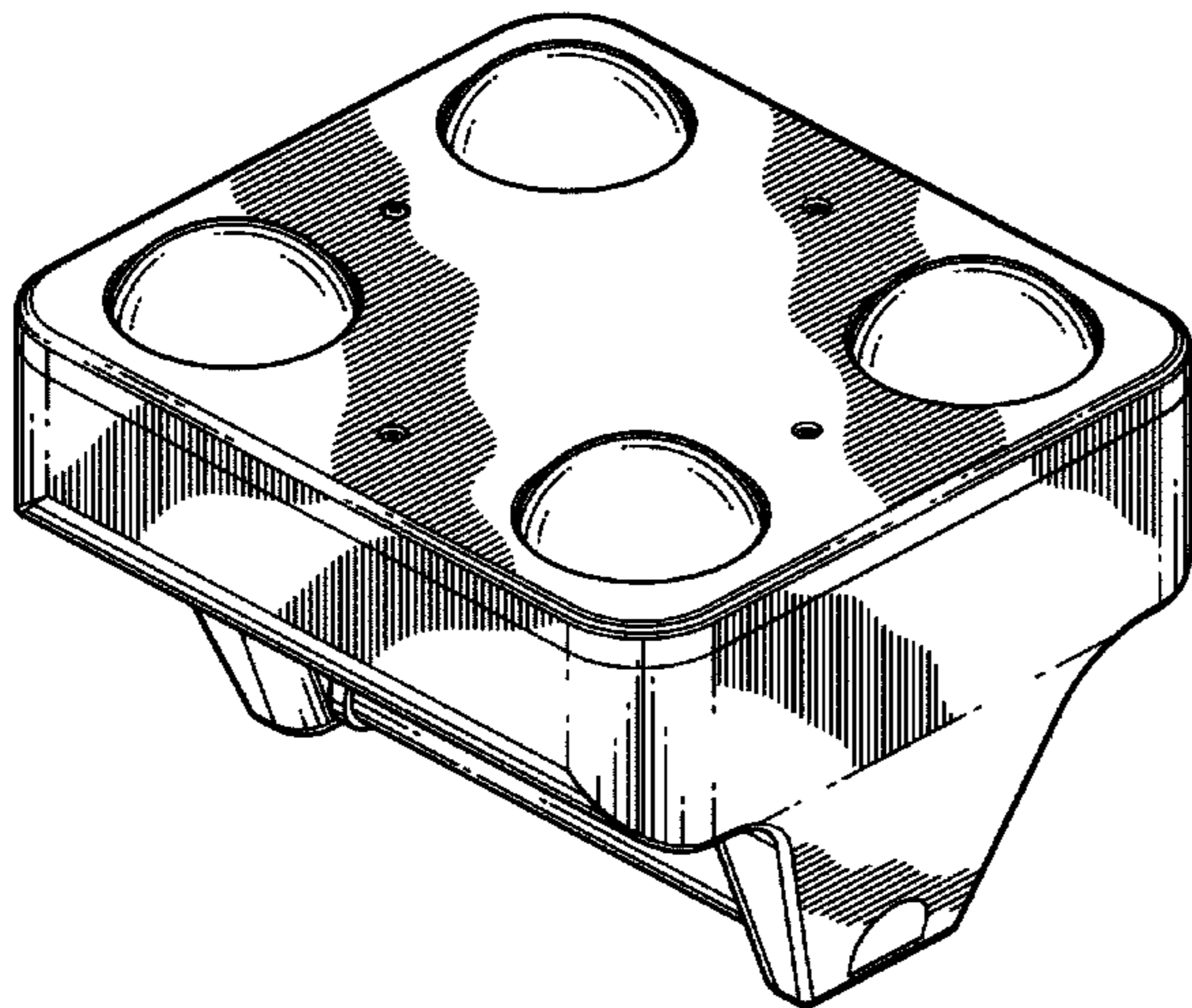
(57) **CLAIM**

The ornamental design for an upper body exercise device, as shown and described.

DESCRIPTION

FIG. 1 is a perspective view of the underside of an upper body exercise device;
FIG. 2 is a perspective view of the topside of an upper body exercise device;
FIG. 3 is a side elevation view thereof;
FIG. 4 is an end elevation view thereof;
FIG. 5 is a top plan view thereof; and,
FIG. 6 is a bottom plan view thereof.

1 Claim, 5 Drawing Sheets



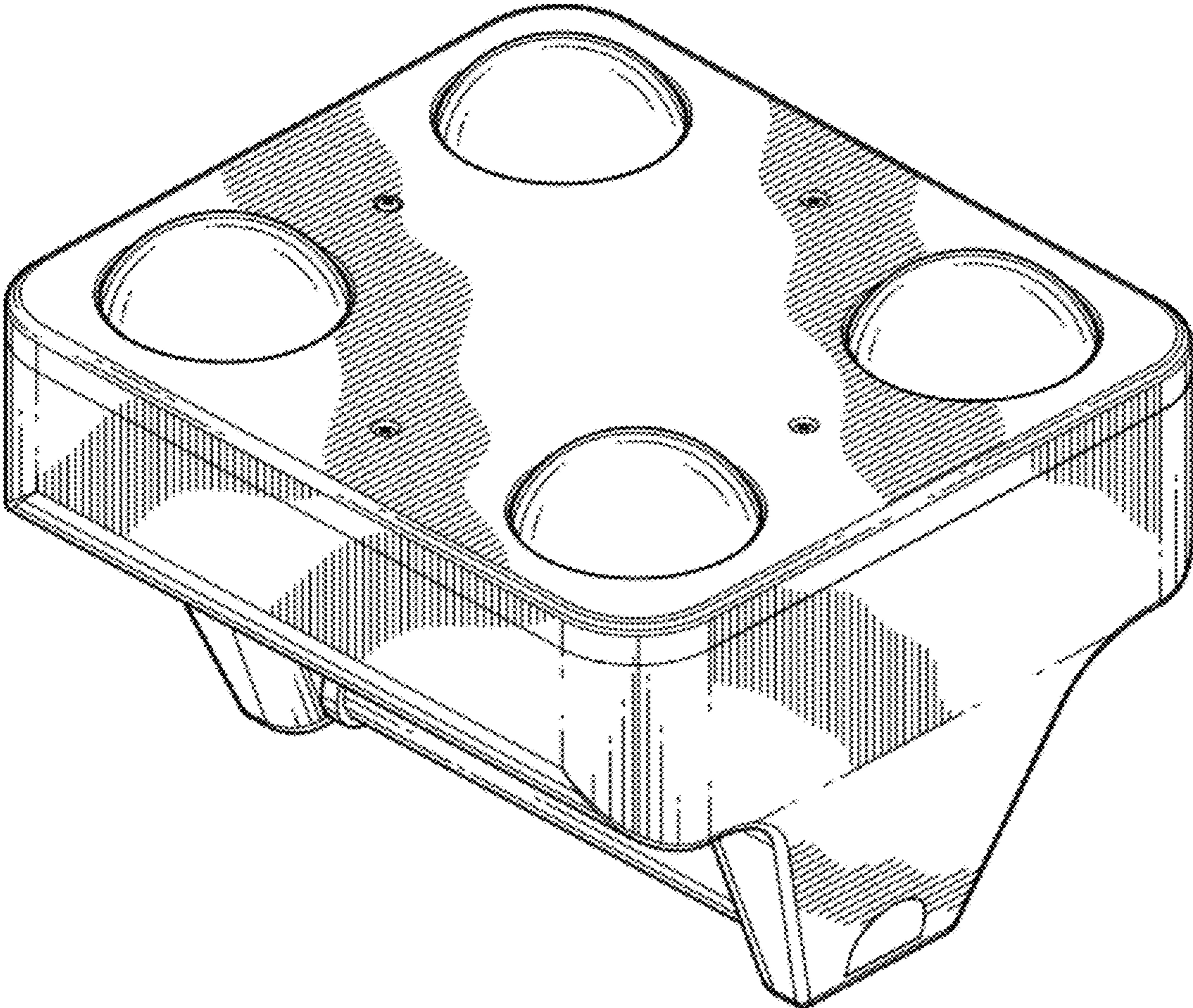


FIG. 1

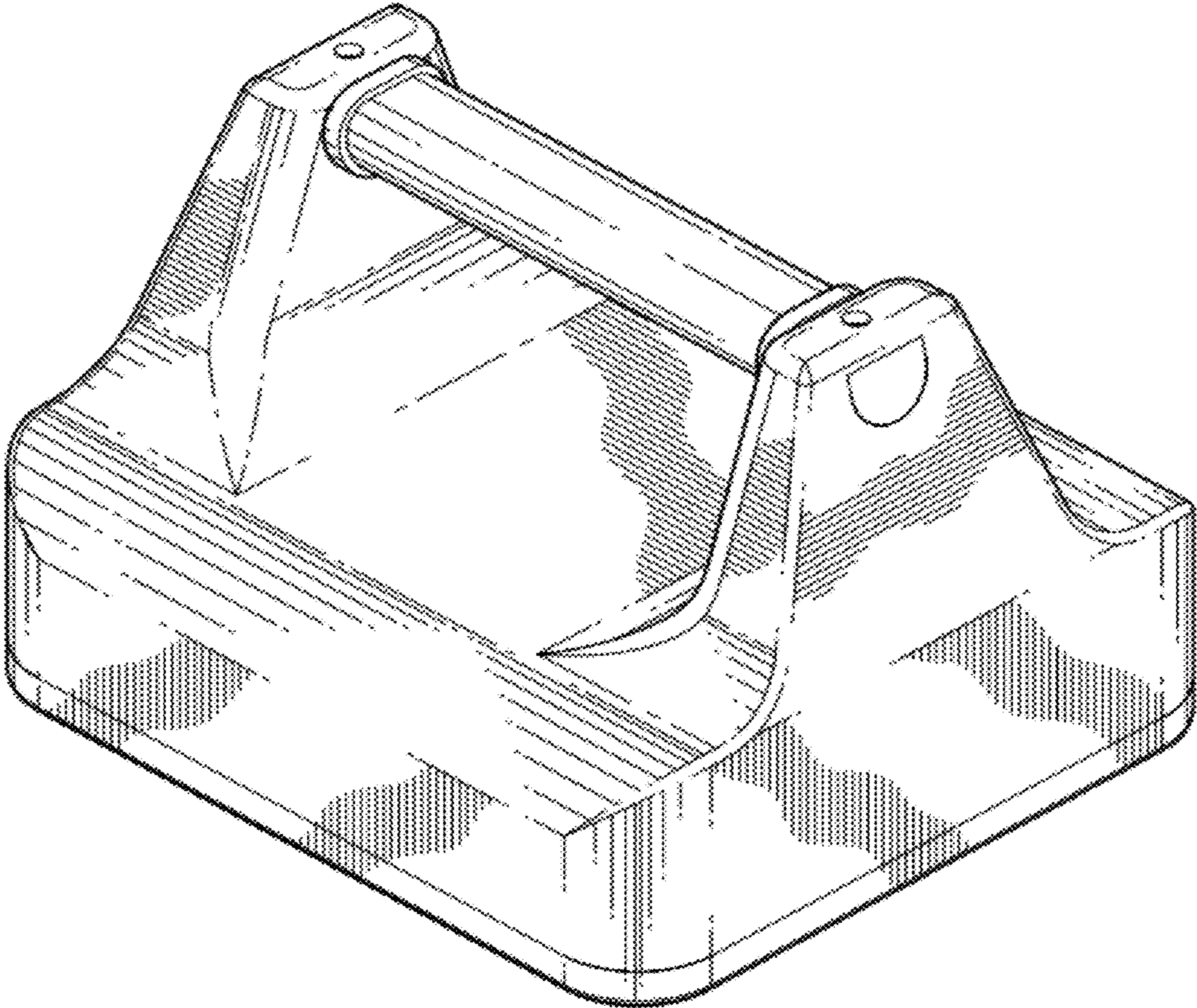


FIG. 2

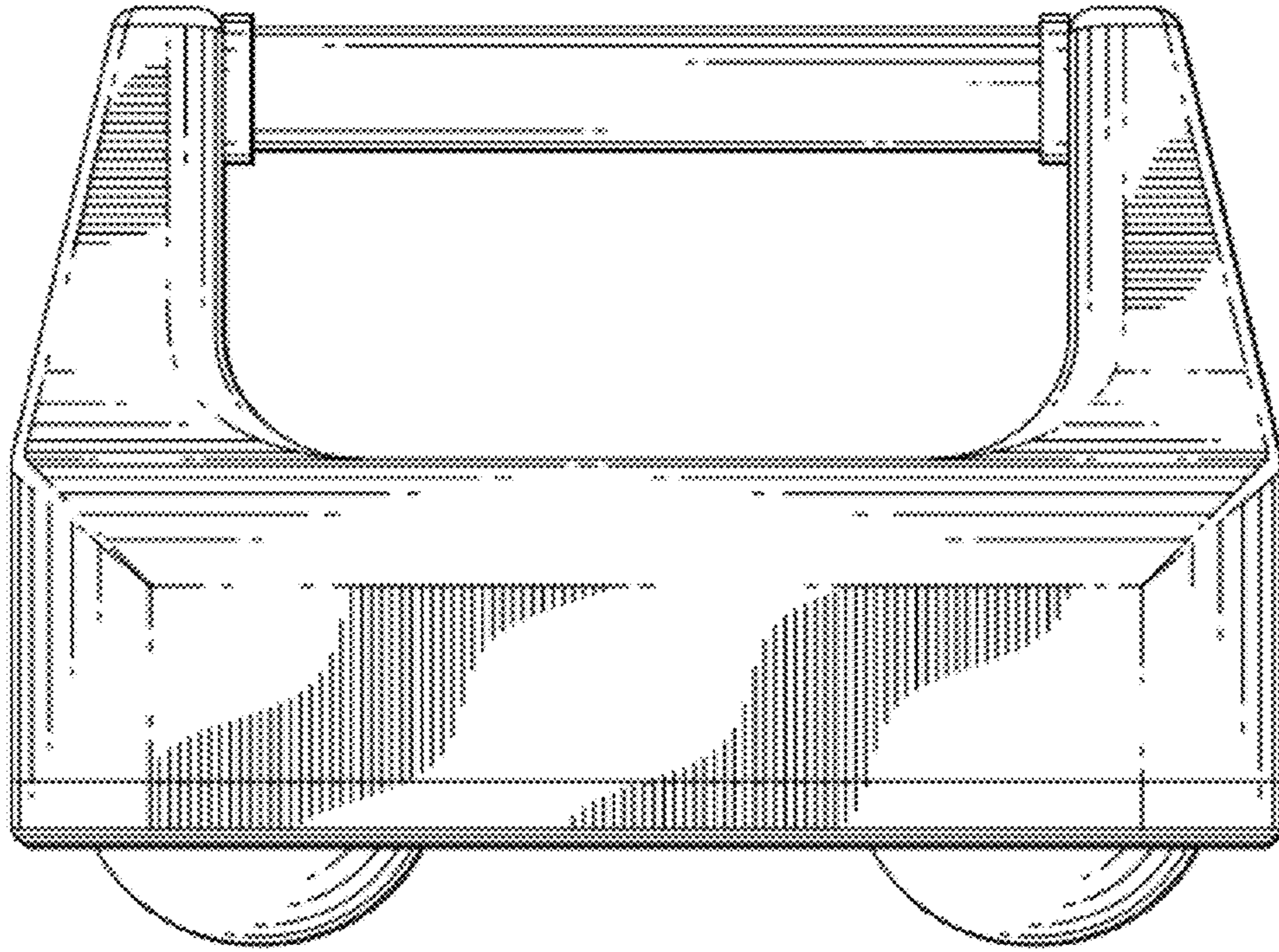


FIG. 3

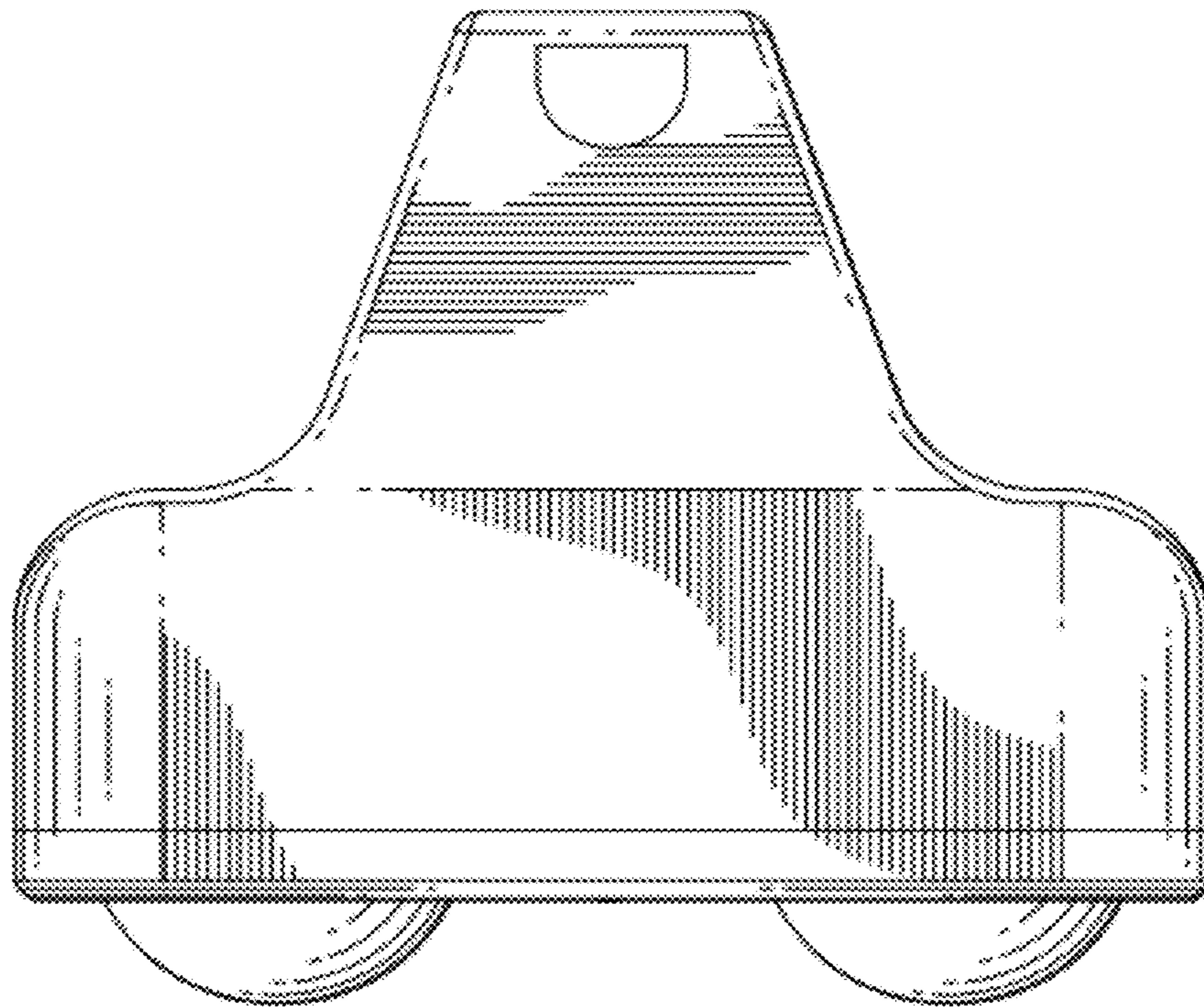


FIG. 4

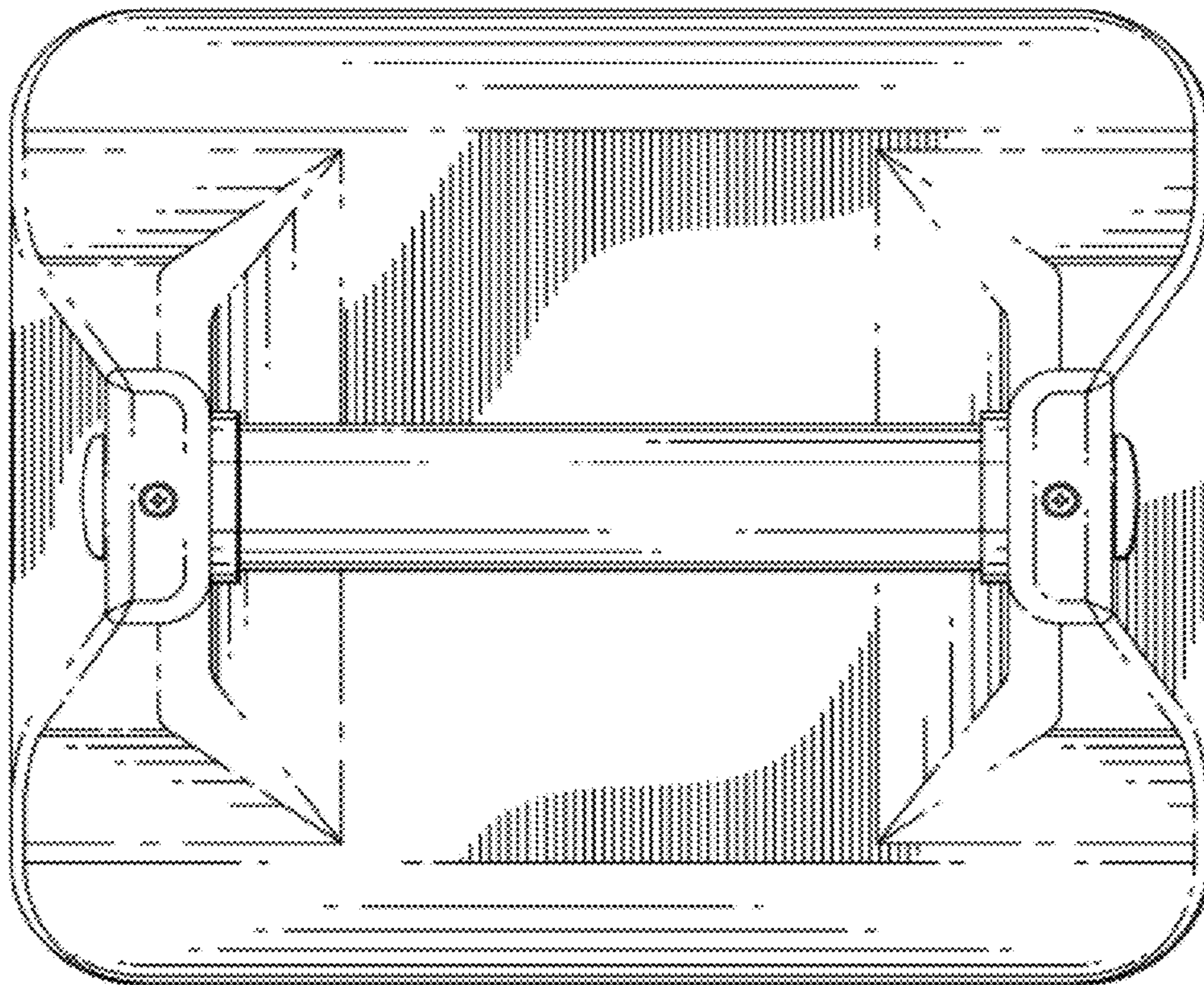


FIG. 5

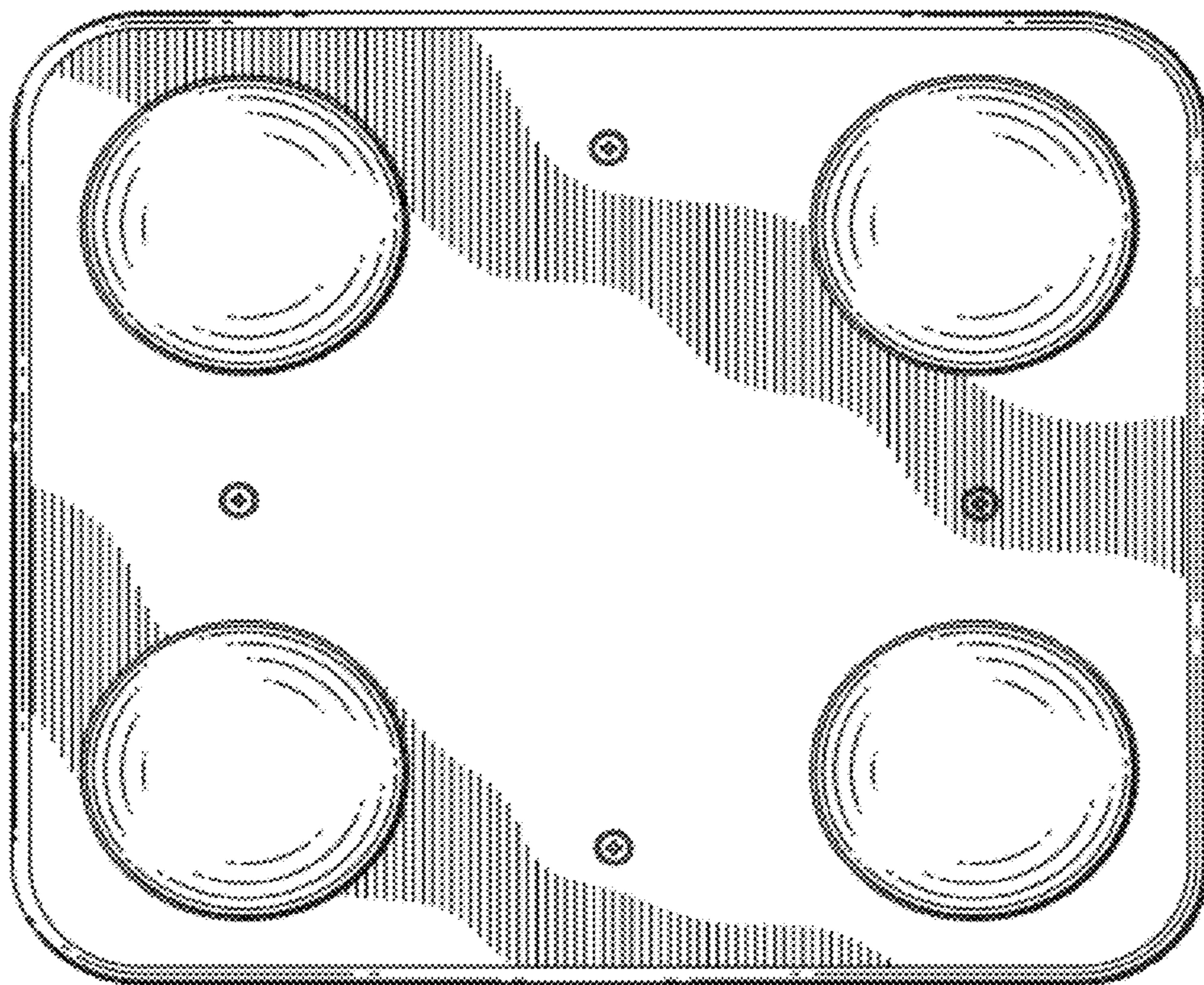


FIG. 6