



US00D653711S

(12) **United States Design Patent**  
**Ngai**

(10) **Patent No.:** **US D653,711 S**  
(45) **Date of Patent:** **\*\* Feb. 7, 2012**

(54) **SCOOTER**

(75) Inventor: **Wai Ming Ngai**, Hong Kong (HK)

(73) Assignee: **Rexco Industrial Ltd.**, Hong Kong (HK)

(\*\*) Term: **14 Years**

(21) Appl. No.: **29/377,281**

(22) Filed: **Oct. 20, 2010**

(51) **LOC (9) Cl.** ..... **21-01**

(52) **U.S. Cl.** ..... **D21/423**

(58) **Field of Classification Search** ..... D21/413,  
D21/419, 421, 423, 426-428, 435, 668-671,  
D21/760, 765, 771; D12/1, 8, 108, 112,  
D12/113; 280/8, 14.21, 14.25, 14.26, 87.041,  
280/87.042, 200, 214, 220, 221, 239, 263,  
280/288.1, 288.2, 288.4, 809; 180/180, 181  
See application file for complete search history.

(56) **References Cited**

**U.S. PATENT DOCUMENTS**

4,732,400	A *	3/1988	Santini	.....	280/87.042
D425,573	S *	5/2000	Giesler	.....	D21/423
D437,621	S *	2/2001	Chen	.....	D21/423
D462,726	S *	9/2002	Kim	.....	D21/413
6,443,470	B1 *	9/2002	Ulrich et al.	.....	280/87.041
D464,379	S *	10/2002	Lin	.....	D21/423
6,505,845	B1 *	1/2003	Fong	.....	280/228
D476,041	S *	6/2003	Phillips	.....	D21/423

D481,422	S *	10/2003	Chen	.....	D21/423
D486,532	S *	2/2004	Christianson	.....	D21/423
D516,132	S *	2/2006	Sramek	.....	D21/423
D522,076	S *	5/2006	Casey	.....	D21/687
D524,875	S *	7/2006	Lim	.....	D21/423
D569,447	S *	5/2008	Thomas	.....	D21/423
D623,702	S *	9/2010	Dalgaard et al.	.....	D21/423
D623,703	S *	9/2010	Dalgaard et al.	.....	D21/423
D638,484	S *	5/2011	Scolari et al.	.....	D21/423
2003/0007352	A1 *	1/2003	Ter-Hovhannisian	.....	362/276
2003/0168273	A1 *	9/2003	Ducharme et al.	.....	180/181
2011/0031711	A1 *	2/2011	Grossman	.....	280/87.041

\* cited by examiner

*Primary Examiner* — Cynthia M Chin

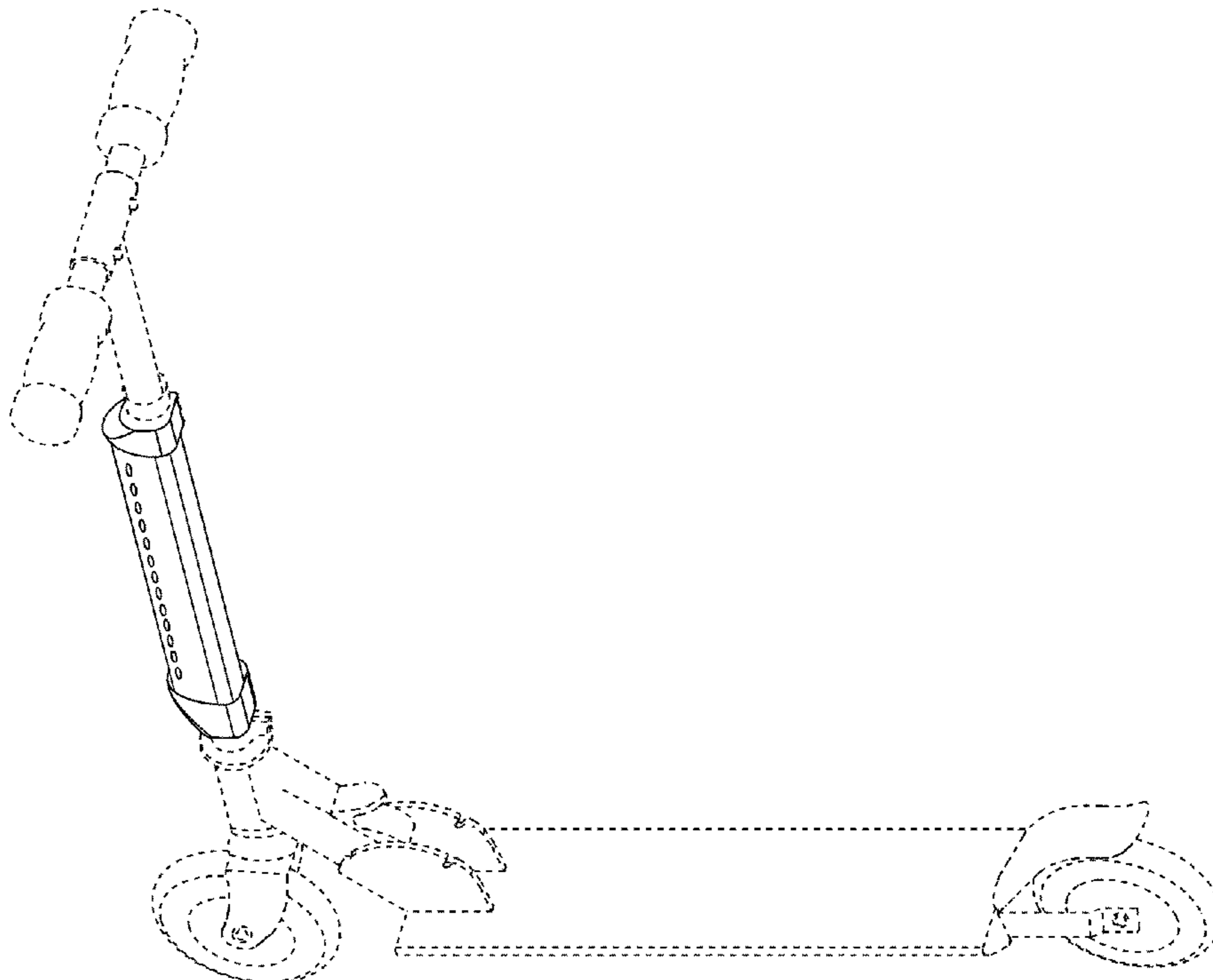
(57) **CLAIM**

I claim the ornamental design for a scooter, as shown and described.

**DESCRIPTION**

FIG. 1 is a front elevational view of a scooter showing my new design;  
FIG. 2 is a rear elevational view thereof;  
FIG. 3 is a left side elevational view thereof;  
FIG. 4 is a right side elevational view thereof;  
FIG. 5 is a top plan view thereof; and,  
FIG. 6 is a perspective view thereof.  
The broken line portions of the drawings depict environmental structure that forms no part of the claimed design.

**1 Claim, 6 Drawing Sheets**



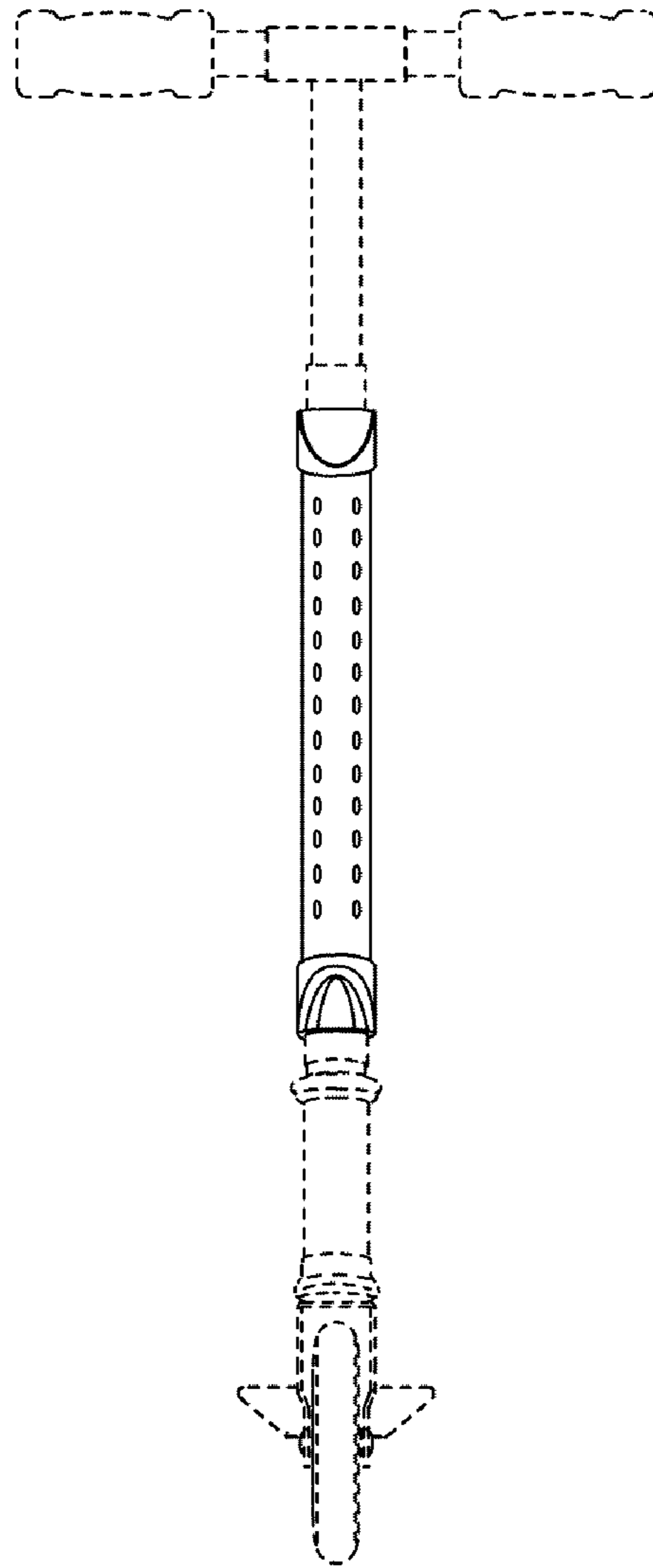


FIG. 1

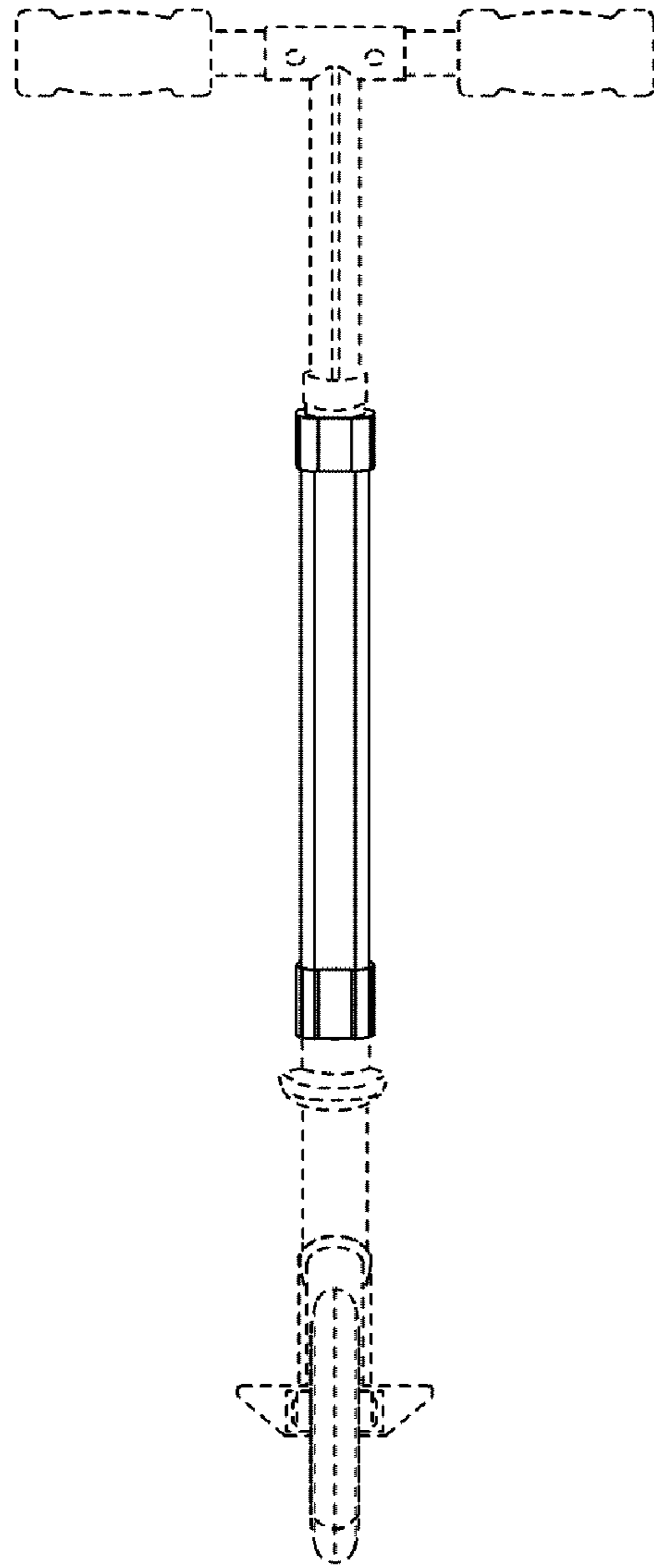


FIG. 2

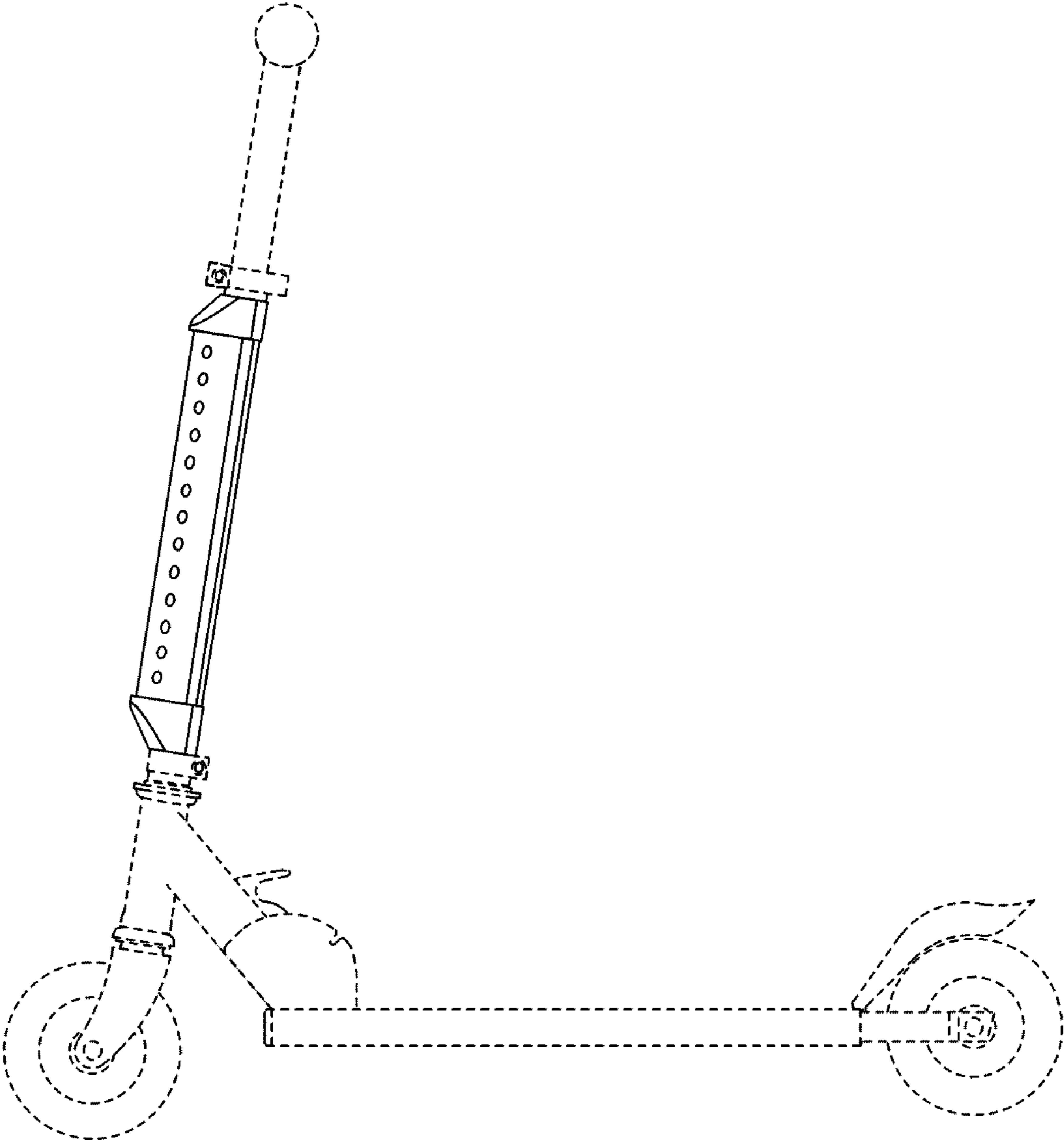


FIG. 3

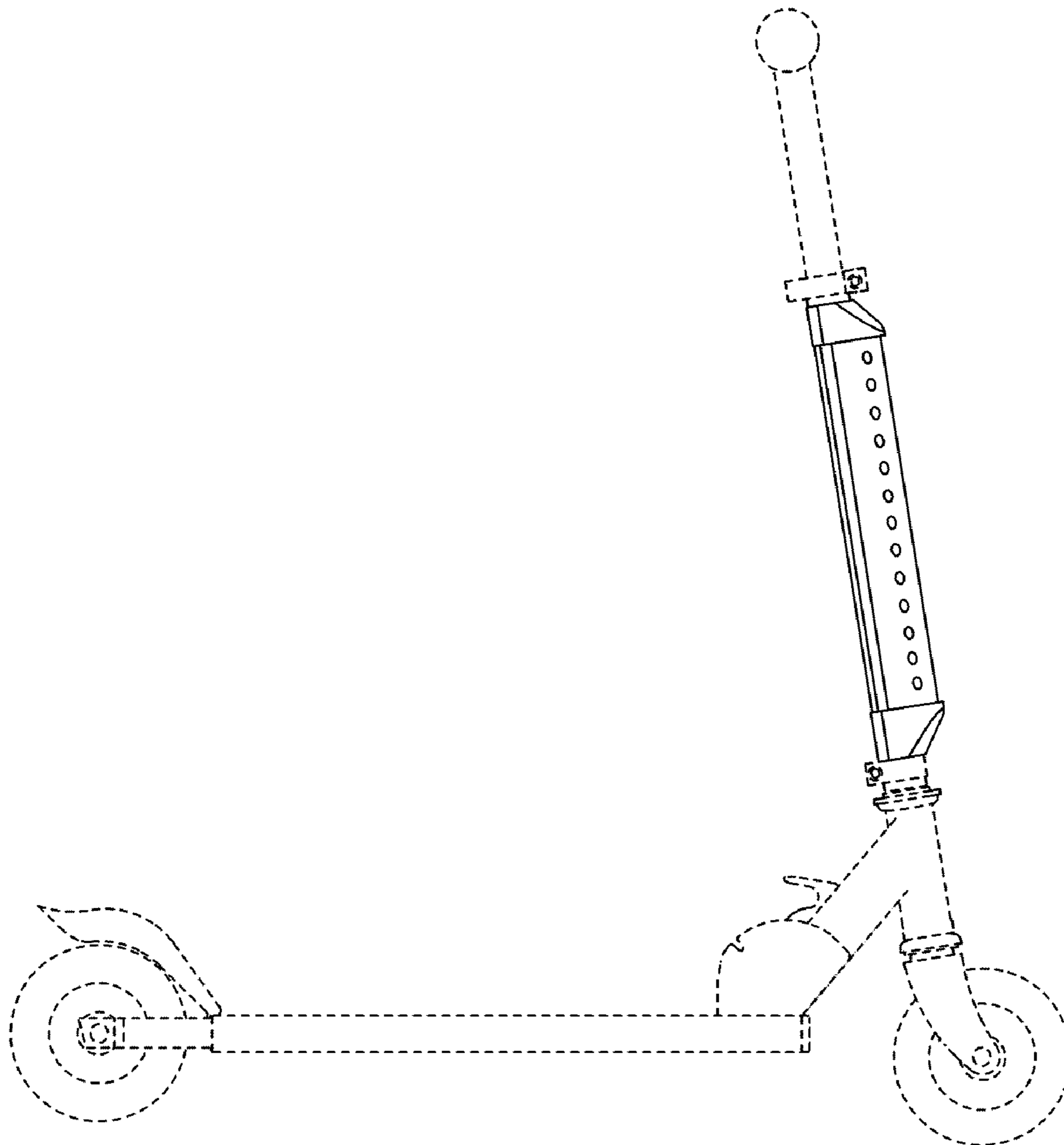


FIG. 4

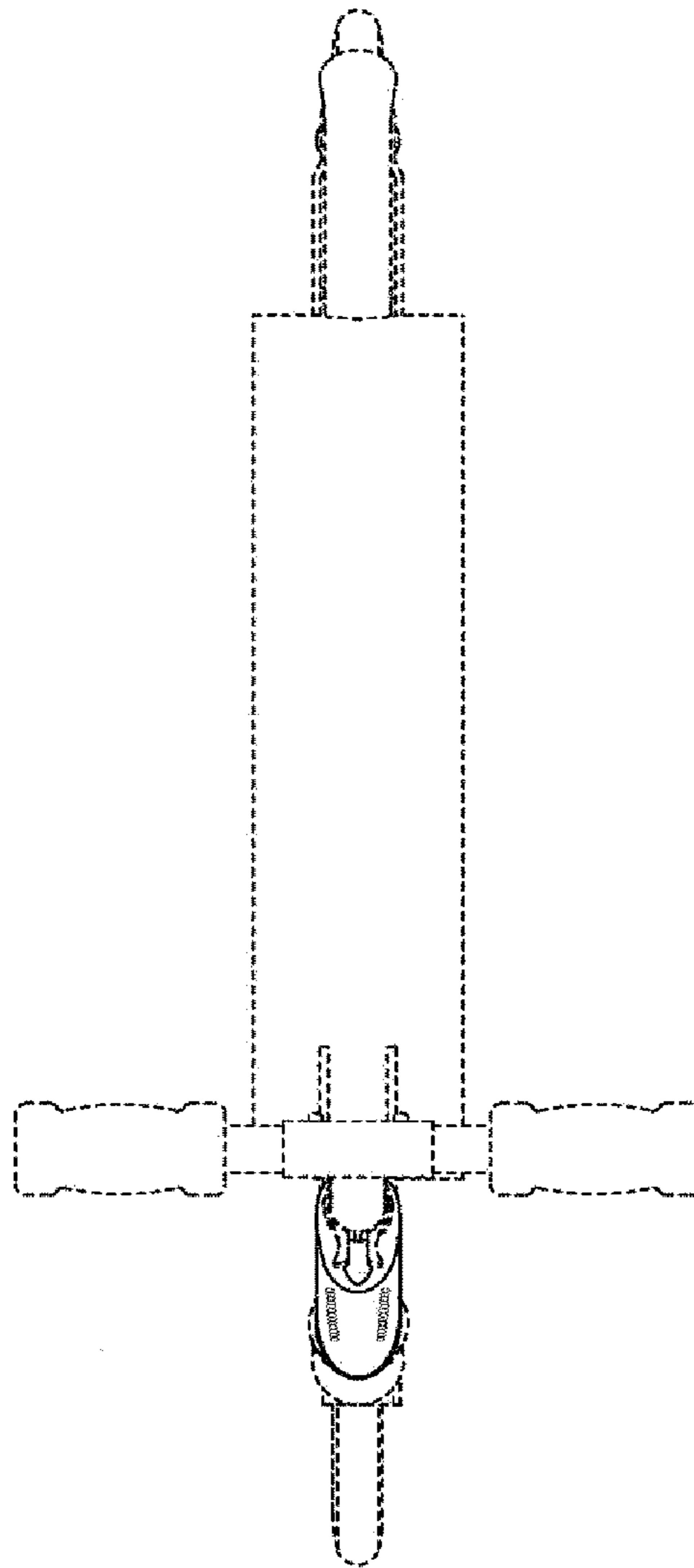


FIG. 5

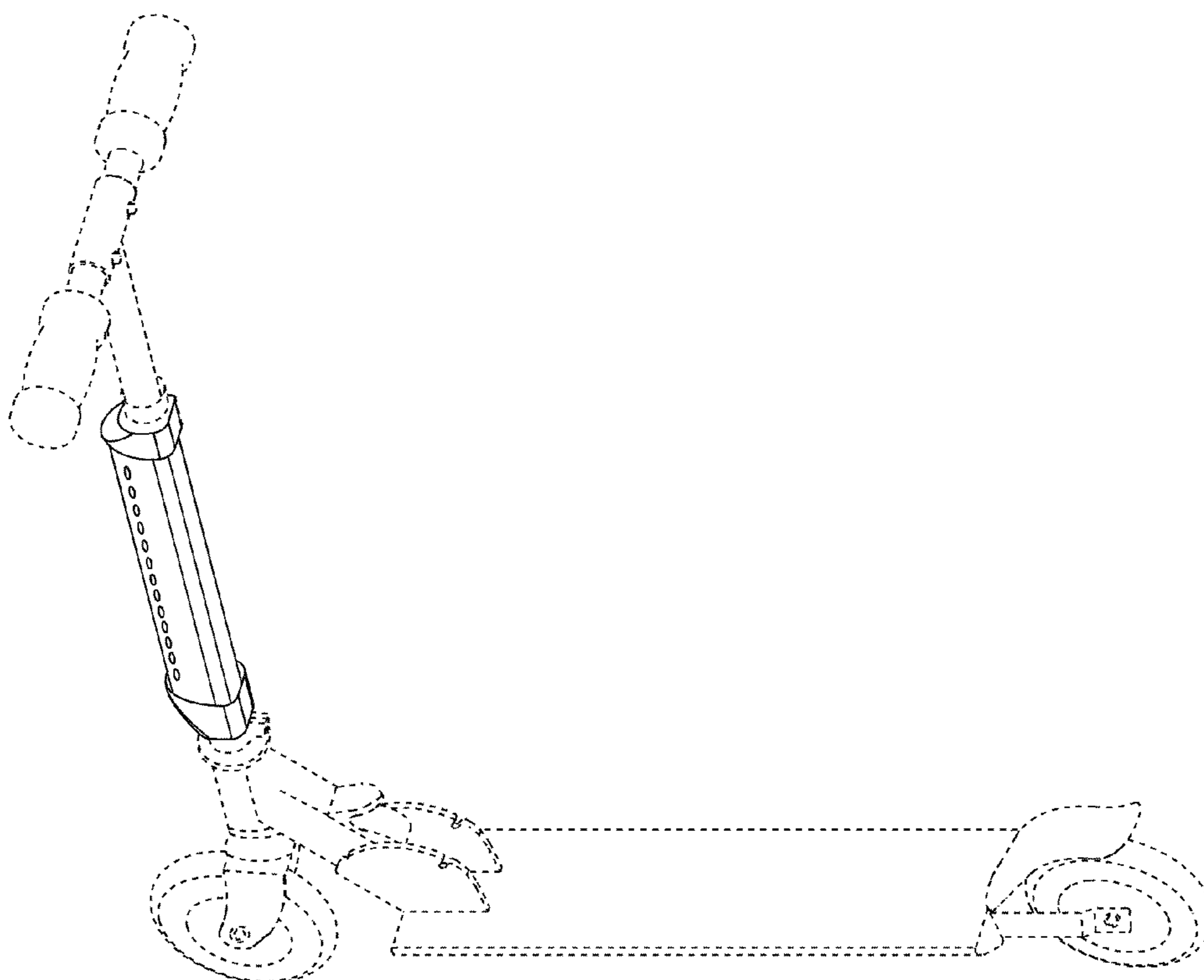


FIG. 6