

US00D653705S

(12) **United States Design Patent**
Pearson

(10) **Patent No.:** **US D653,705 S**
(45) **Date of Patent:** **** Feb. 7, 2012**

(54) **PEN**
(75) Inventor: **Arthur Scott Pearson**, Upland, CA (US)
(73) Assignee: **Sweda Company, LLC**, City of Industry, CA (US)
(**) Term: **14 Years**
(21) Appl. No.: **29/380,668**
(22) Filed: **Dec. 9, 2010**
(51) **LOC (9) Cl.** **19-06**
(52) **U.S. Cl.** **D19/50**
(58) **Field of Classification Search** D19/35, D19/36, 41-51, 54-58; 24/11 R, 11 F, 11 P; 401/52, 99, 100, 192, 195, 196; D14/411
See application file for complete search history.

D559,909 S *	1/2008	Qiu et al.	D19/50
D561,254 S *	2/2008	Lin	D19/48
D565,102 S *	3/2008	Anand	D19/50
D591,348 S *	4/2009	Yu et al.	D19/49
D607,932 S *	1/2010	Zhang	D19/48
D613,337 S *	4/2010	Pearson	D19/50
D622,317 S *	8/2010	Li	D19/50
D624,965 S *	10/2010	Li	D19/48
D626,597 S *	11/2010	Casciotti et al.	D19/56
D626,598 S *	11/2010	Casciotti et al.	D19/56
D628,641 S *	12/2010	Zhang	D19/50
D641,408 S *	7/2011	Zhang	D19/50

* cited by examiner

Primary Examiner — Elizabeth Albert

(74) *Attorney, Agent, or Firm* — Clement Cheng

(57) **CLAIM**

The ornamental design for a pen, as shown and described.

DESCRIPTION

FIG. 1 is a perspective view of the pen, showing my new design.

FIG. 2 is a right side elevational view of FIG. 1.

FIG. 3 is a front elevational view of FIG. 1.

FIG. 4 is a left side elevational view of FIG. 1.

FIG. 5 is a rear elevational view of FIG. 1.

FIG. 6 is a bottom plan view of FIG. 1; and,

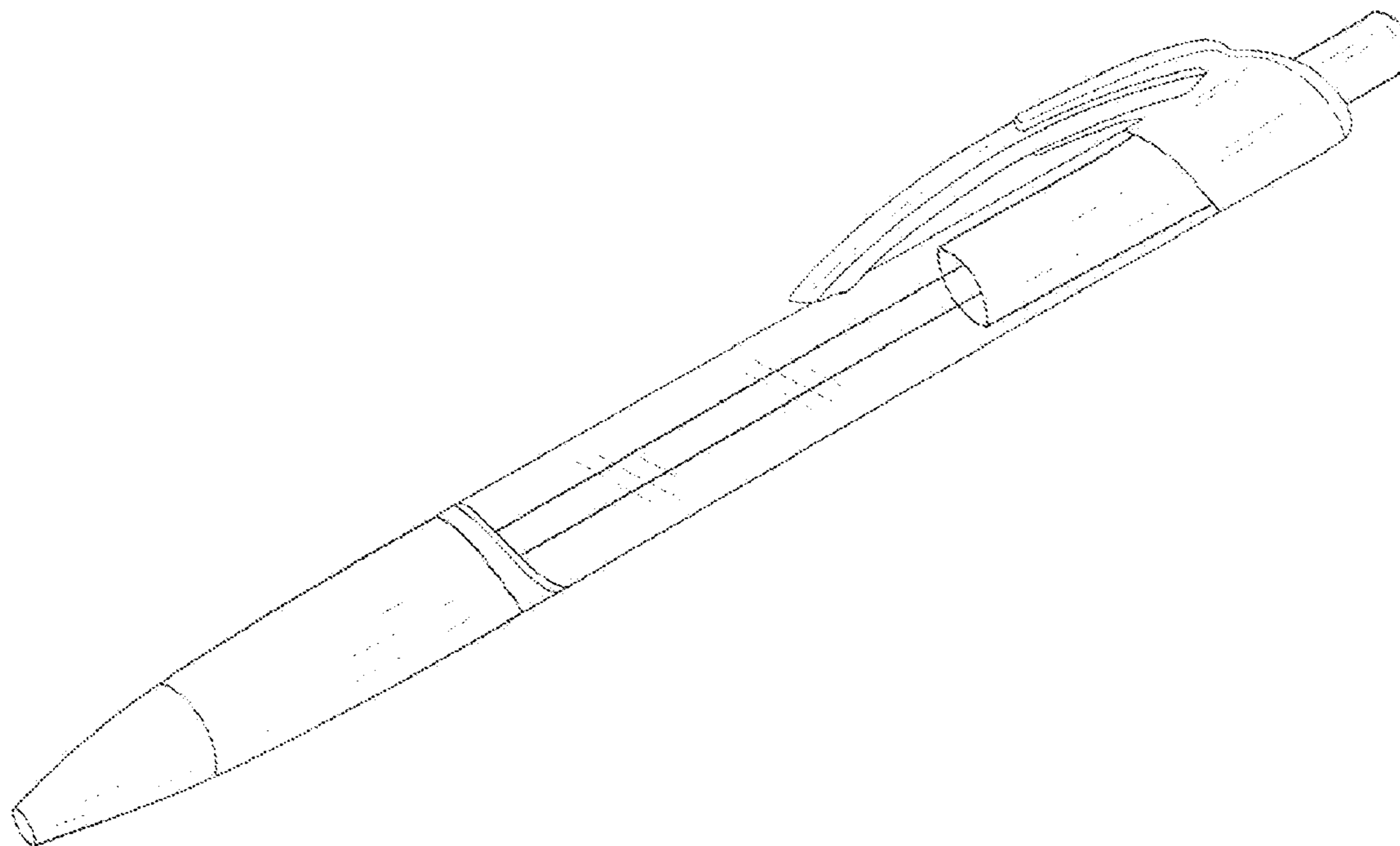
FIG. 7 is a top plan view of FIG. 1.

1 Claim, 4 Drawing Sheets

(56) **References Cited**

U.S. PATENT DOCUMENTS

D427,633 S *	7/2000	Pellisa Beneyto	D19/51
D497,643 S *	10/2004	Nishida	D19/51
D506,504 S *	6/2005	Nakazawa et al.	D19/49
D510,104 S *	9/2005	Qiu	D19/47
D553,681 S *	10/2007	Cetera	D19/51
D558,269 S *	12/2007	Takanashi	D19/49



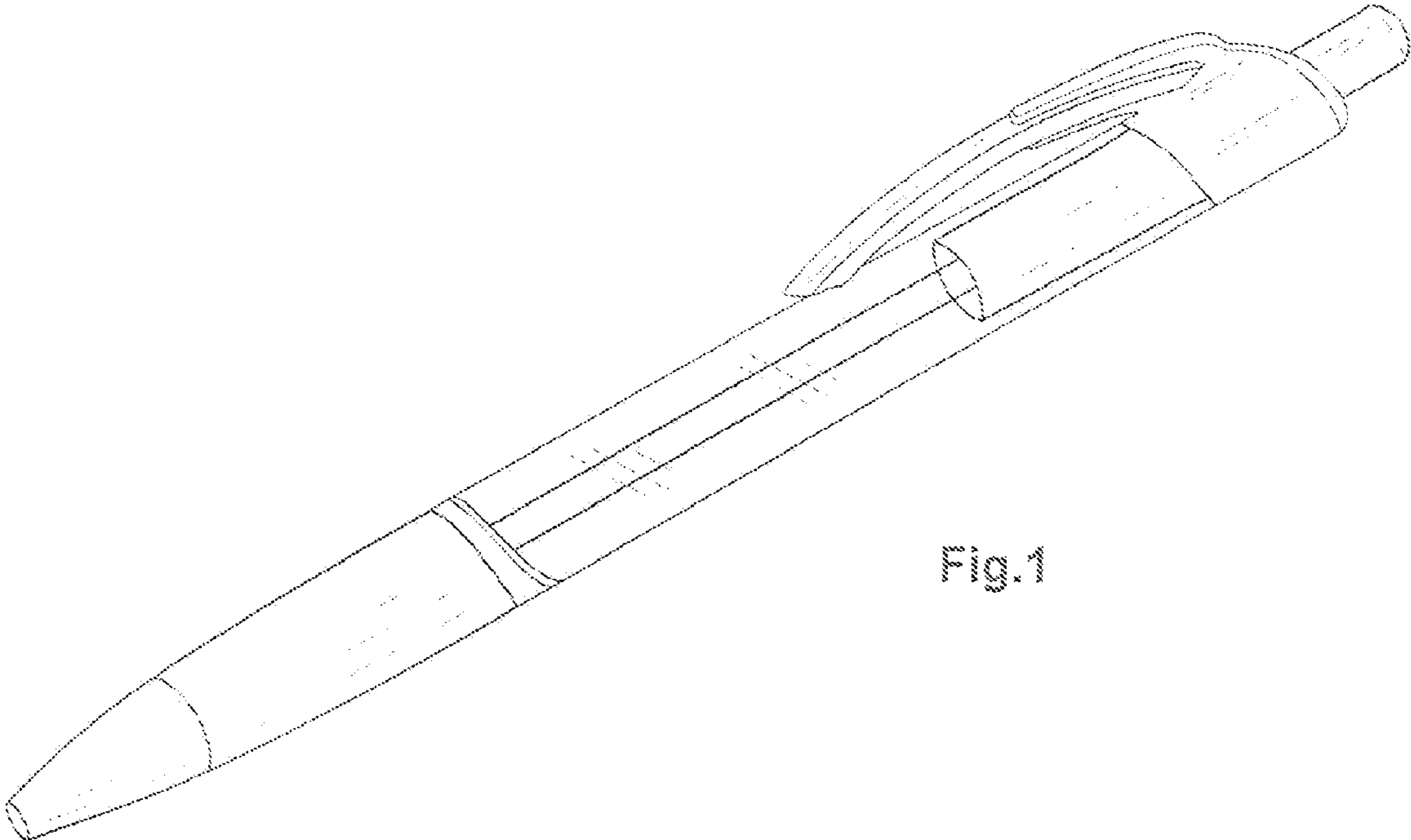


Fig. 1

Fig.2

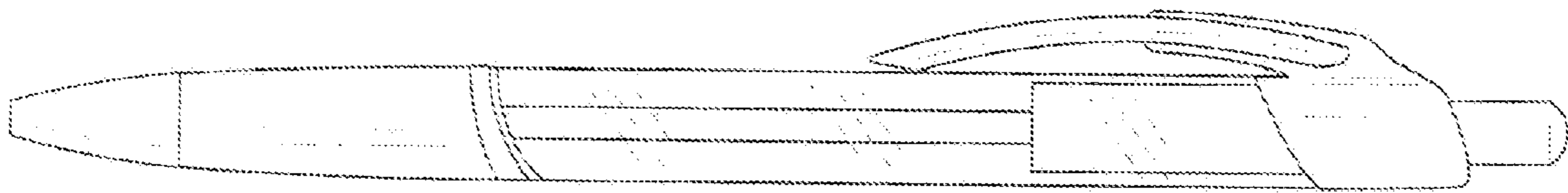


Fig.3

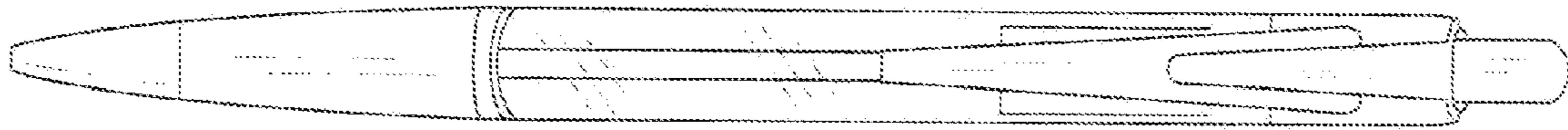


Fig. 4

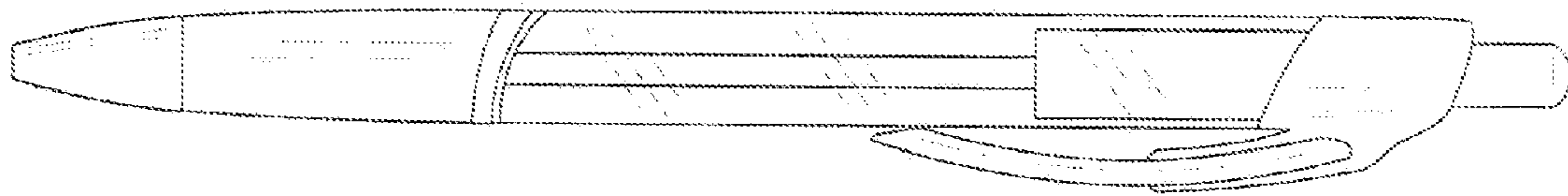


Fig. 5

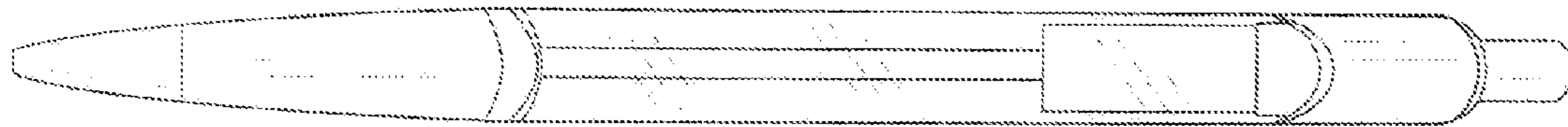


Fig. 6

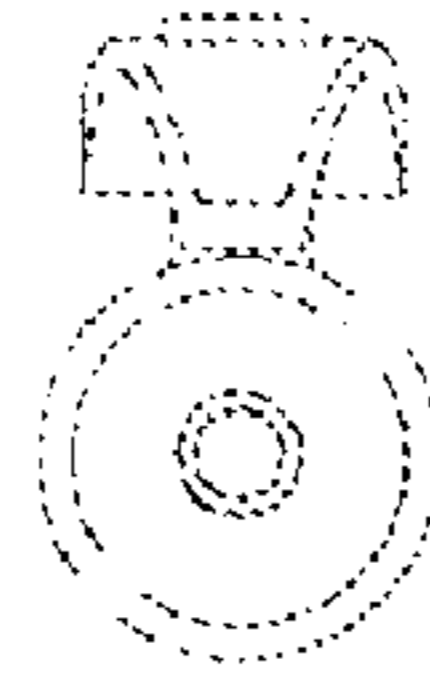


Fig. 7

