

US00D653695S

(12) **United States Design Patent**  
**Tobia**

(10) **Patent No.:** **US D653,695 S**

(45) **Date of Patent:** **\*\* Feb. 7, 2012**

(54) **SNOW AND SAND GOGGLE**

(75) Inventor: **Michael Tobia**, Carlsbad, CA (US)

(73) Assignee: **Dragon Alliance**, Carlsbad, CA (US)

(\*\*) Term: **14 Years**

(21) Appl. No.: **29/396,112**

(22) Filed: **Jun. 24, 2011**

(51) **LOC (9) Cl.** ..... **16-06**

(52) **U.S. Cl.** ..... **D16/312**

(58) **Field of Classification Search** ..... D16/101,  
D16/300-342, 900; D29/109-110; D24/110.2;  
351/41, 44, 51-52, 62, 158, 92, 103-123,  
351/140, 153, 45-46; 2/426-432, 447-449,  
2/441, 434-437, 13, 15; D21/483, 659-661  
See application file for complete search history.

(56) **References Cited**

**U.S. PATENT DOCUMENTS**

D228,584	S	*	10/1973	LeBlanc	.....	D16/312
4,977,627	A	*	12/1990	Metcalfe et al.	.....	2/437
5,213,241	A	*	5/1993	Dewar et al.	.....	224/222
5,363,512	A	*	11/1994	Grabos et al.	.....	2/436
5,410,763	A	*	5/1995	Bolle	.....	2/436

D372,725	S	*	8/1996	Vigneron	.....	D16/311
D372,928	S	*	8/1996	Brune et al.	.....	D16/311
6,098,204	A	*	8/2000	Arnette	.....	2/426
6,149,268	A	*	11/2000	Hall et al.	.....	351/62
6,324,702	B1	*	12/2001	Spindelbalker	.....	2/435
D544,013	S	*	6/2007	Curci	.....	D16/312
D548,251	S	*	8/2007	Broersma	.....	D16/101
D552,662	S	*	10/2007	Woxing	.....	D16/312

\* cited by examiner

*Primary Examiner* — Raphael Barkai

(74) *Attorney, Agent, or Firm* — S McPherson IP Law

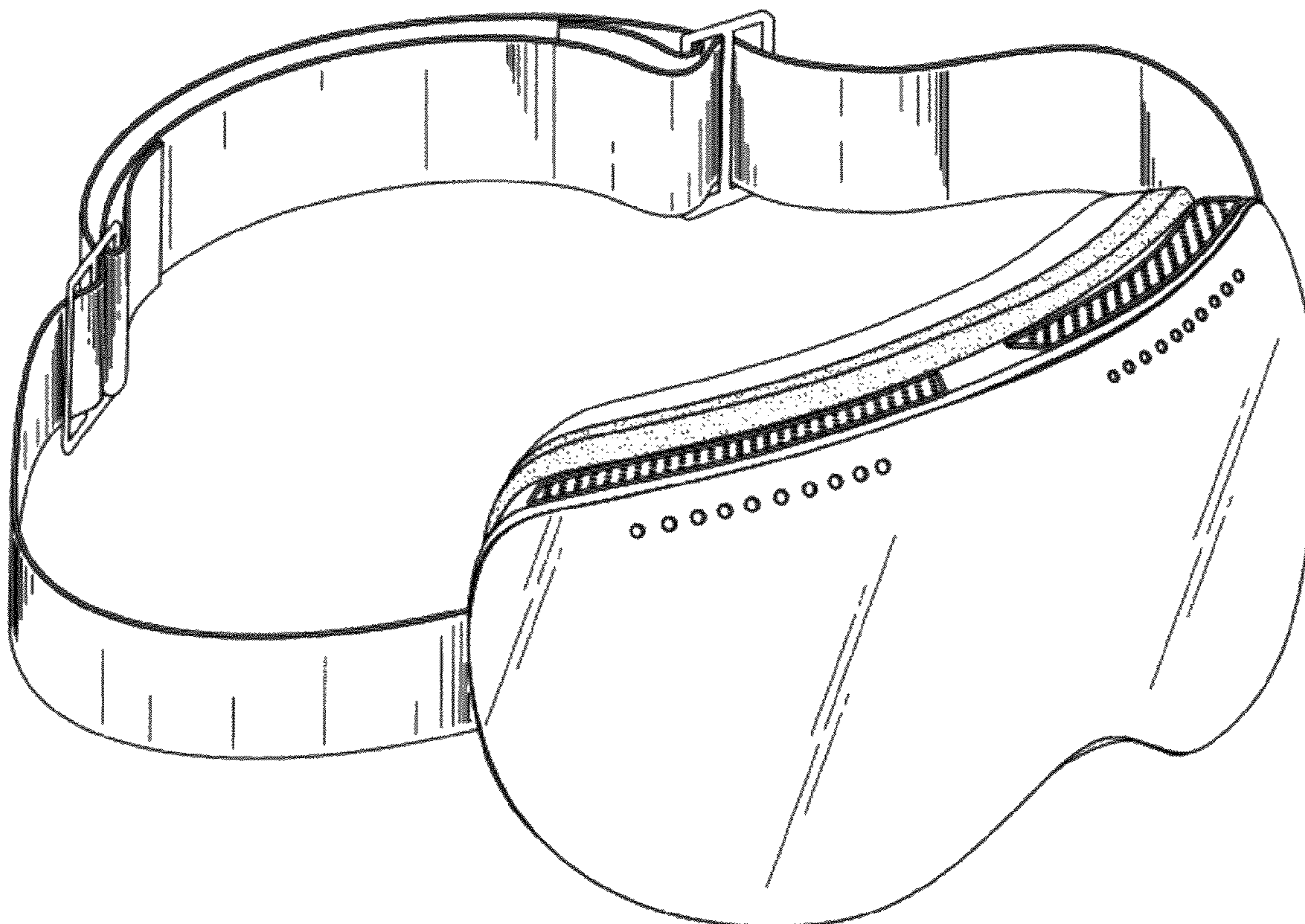
(57) **CLAIM**

The ornamental design for a snow and sand goggle, as shown and described.

**DESCRIPTION**

FIG. 1 is a perspective view of a snow and sand goggle showing our new design;  
FIG. 2 is a front elevational view thereof;  
FIG. 3 is a rear elevational view thereof;  
FIG. 4 is a left side elevational view thereof;  
FIG. 5 is a right side elevational view thereof;  
FIG. 6 is a top plan view thereof; and,  
FIG. 7 is a bottom plan view, thereof.

**1 Claim, 5 Drawing Sheets**



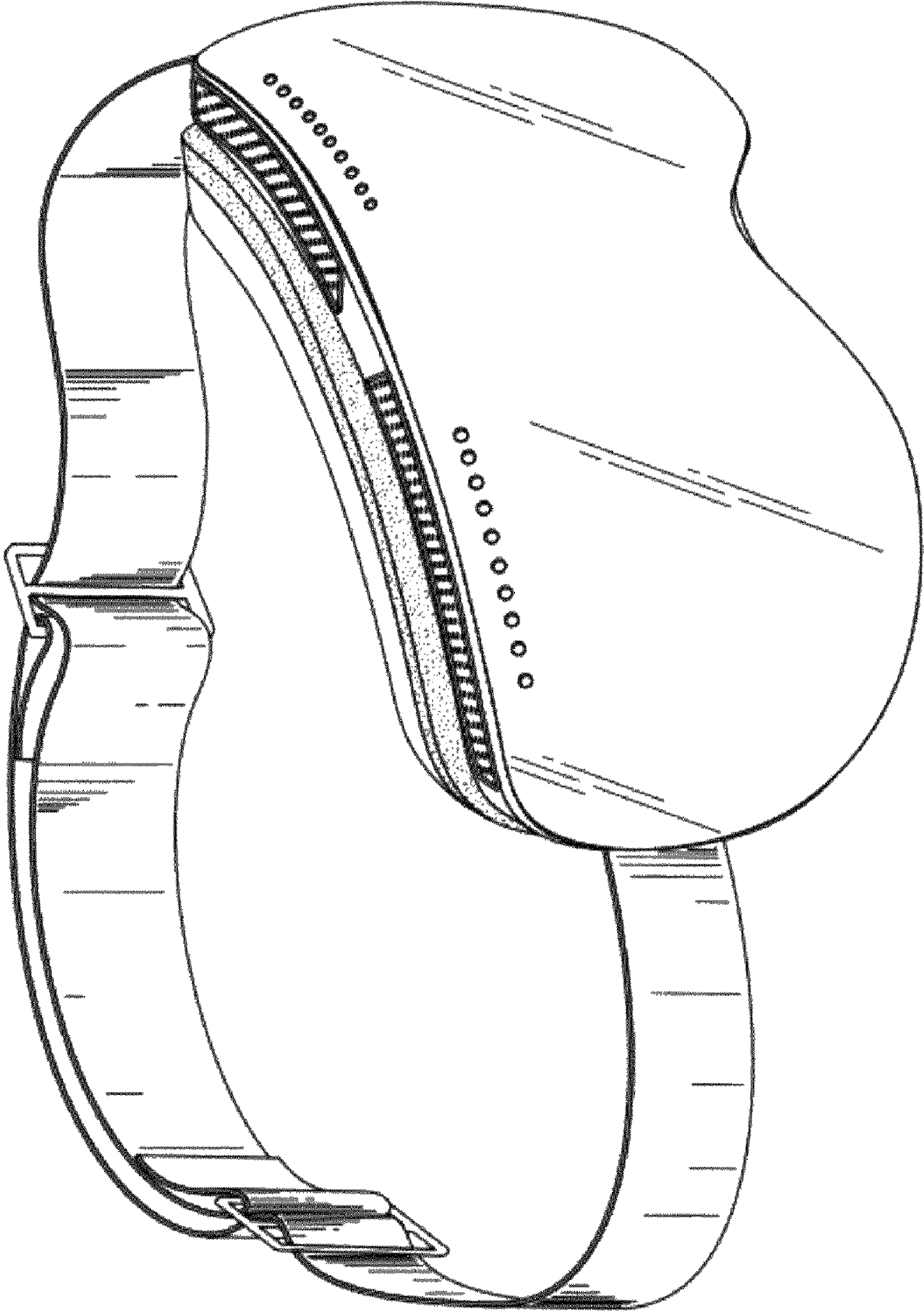


FIG. 1



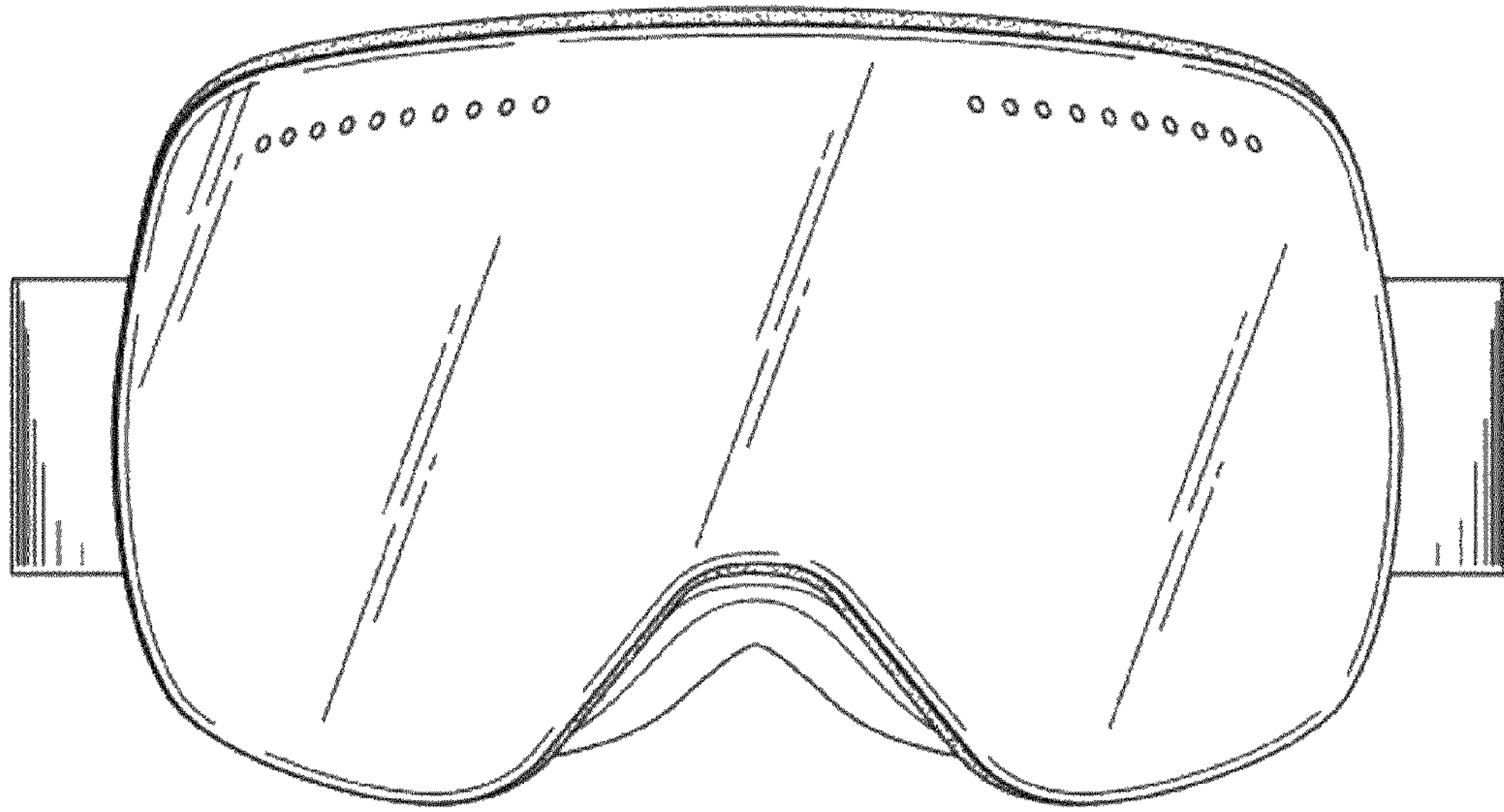


FIG. 2

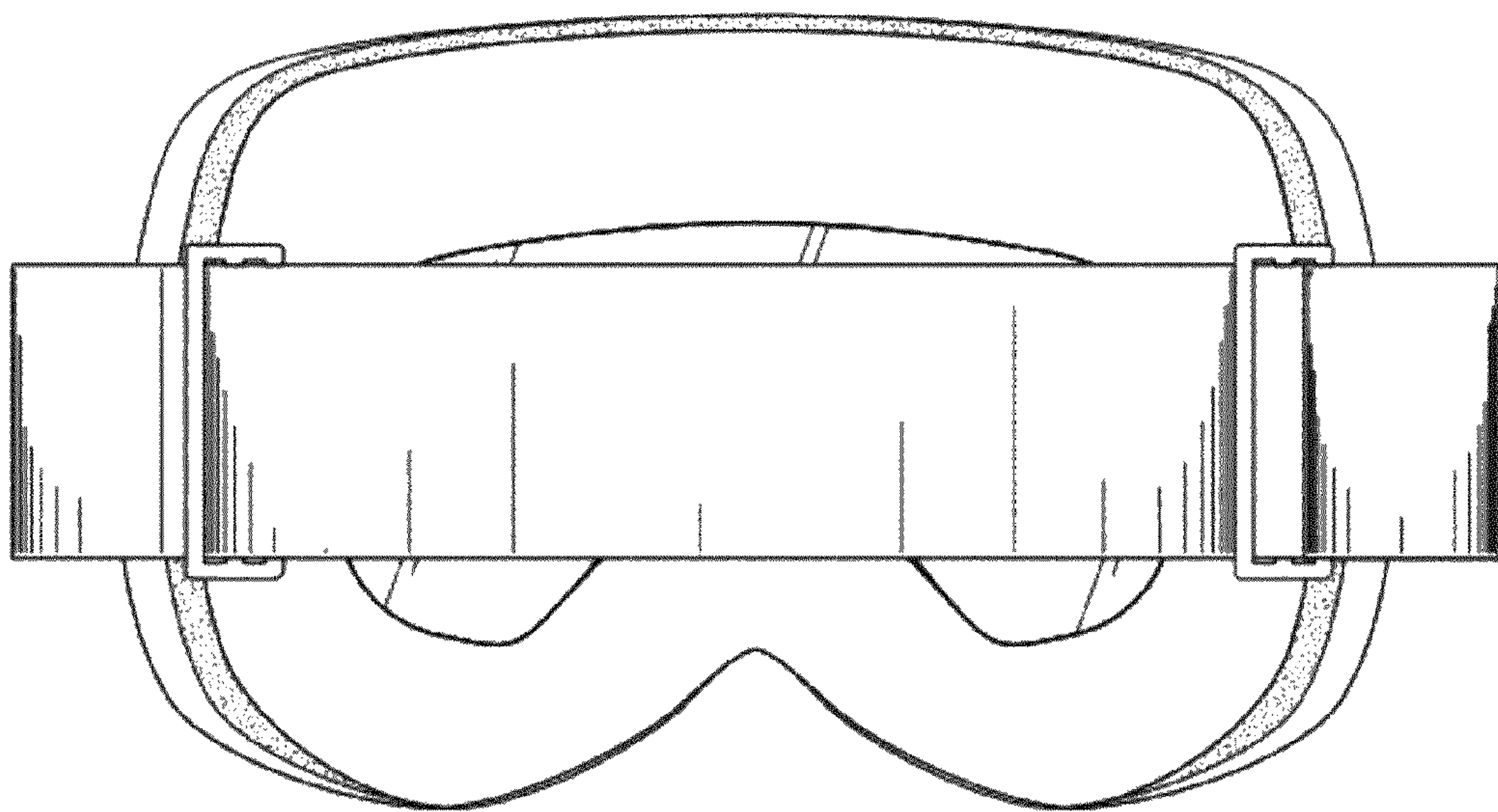


FIG. 3

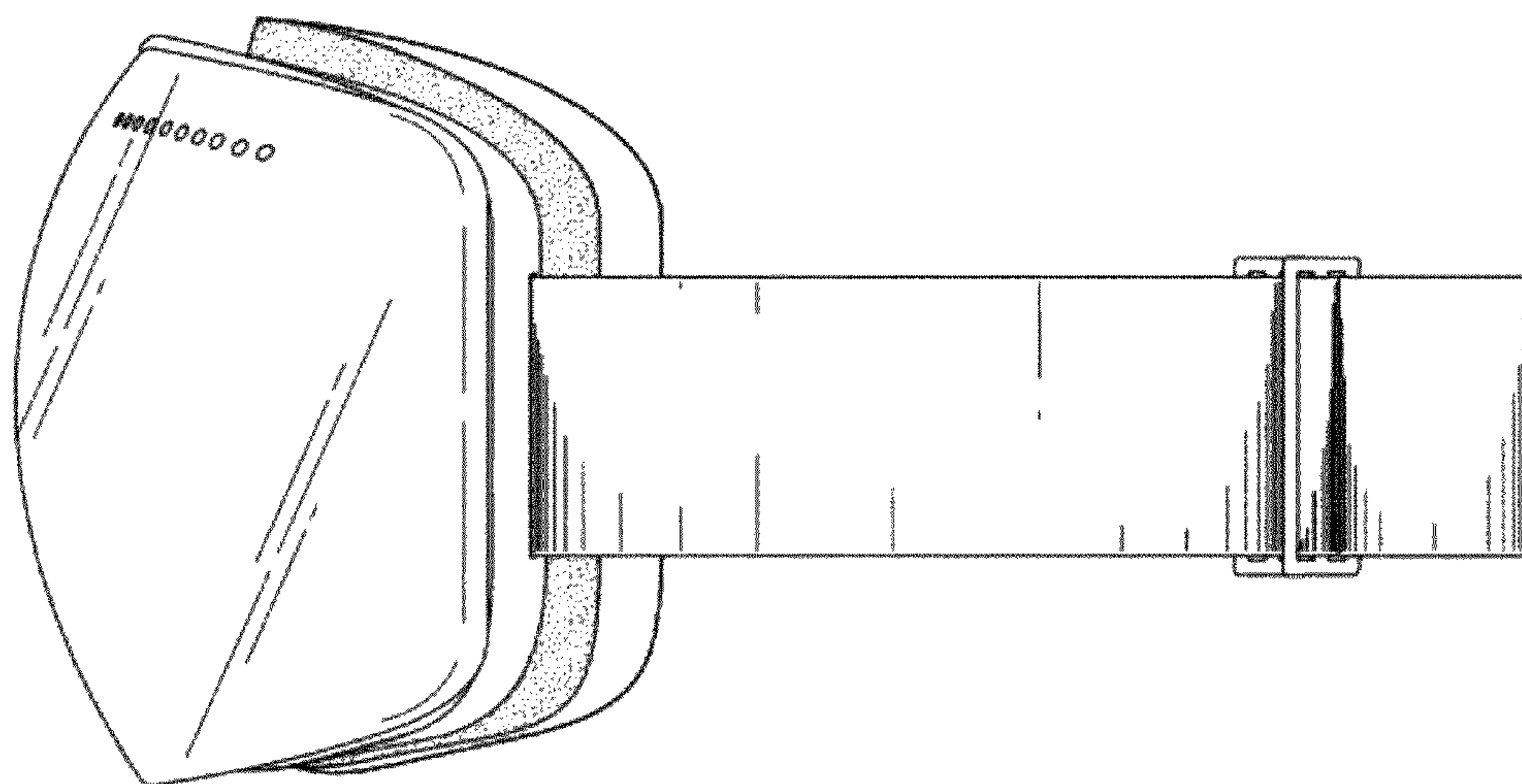


FIG. 4

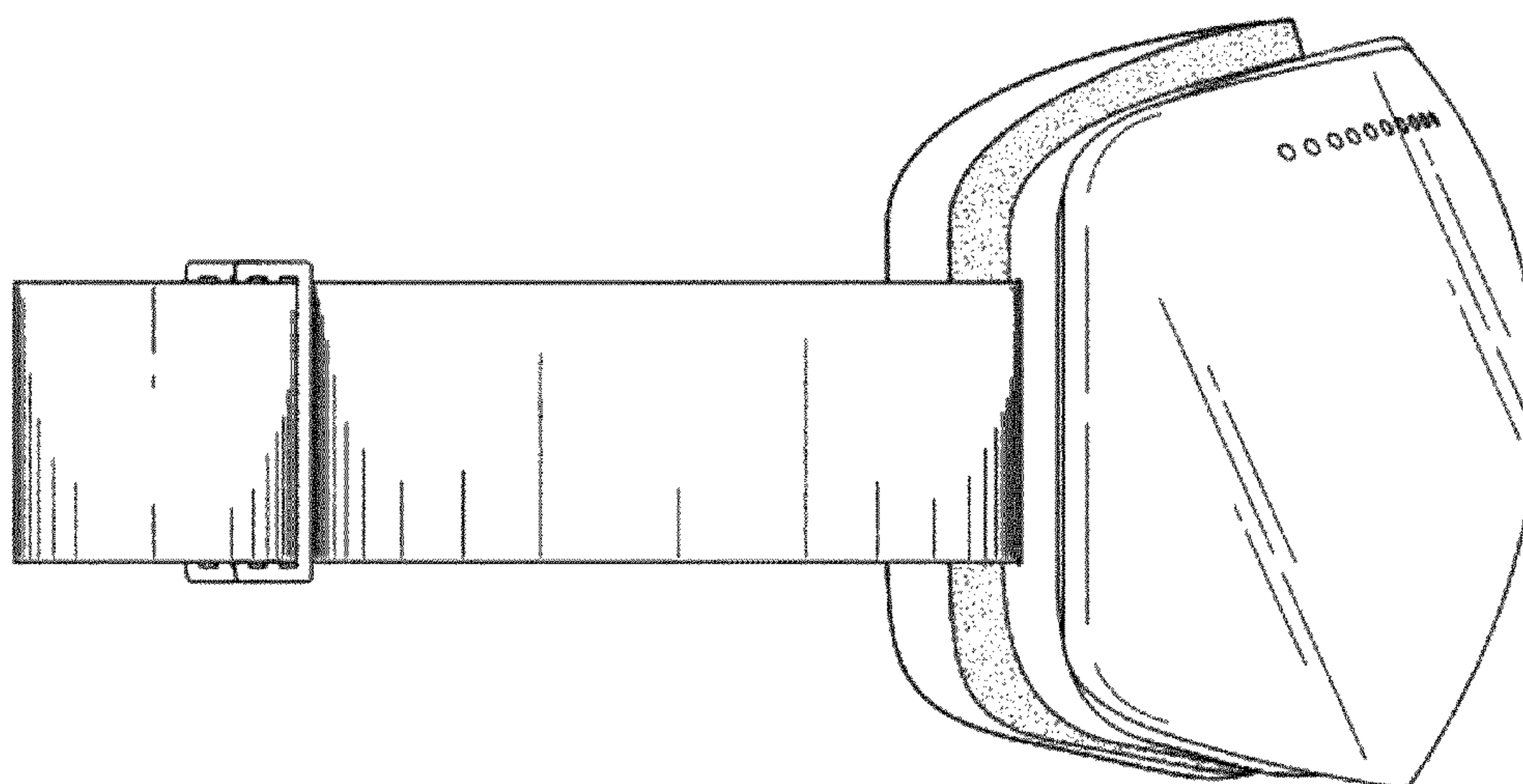


FIG. 5



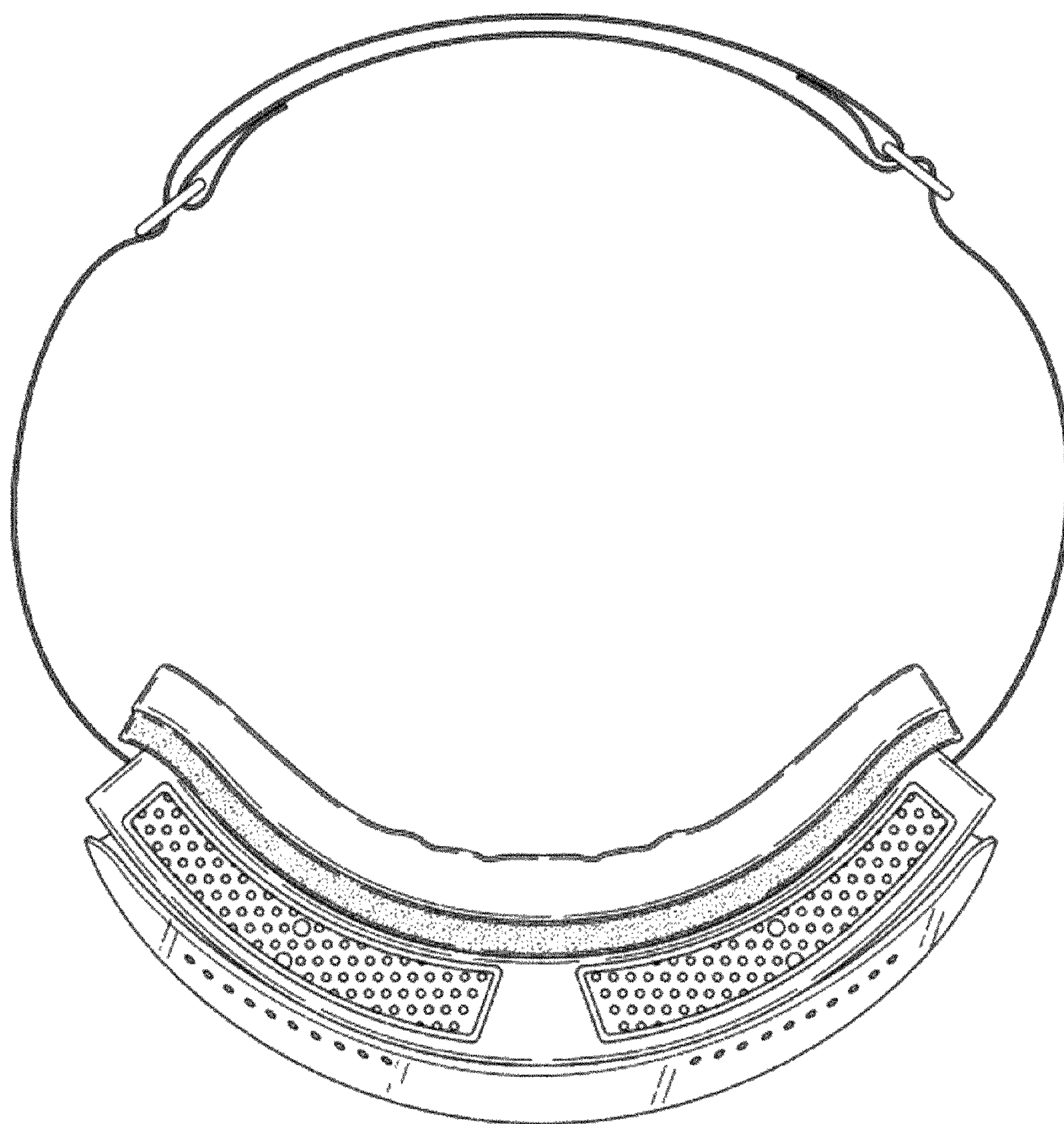


FIG. 6

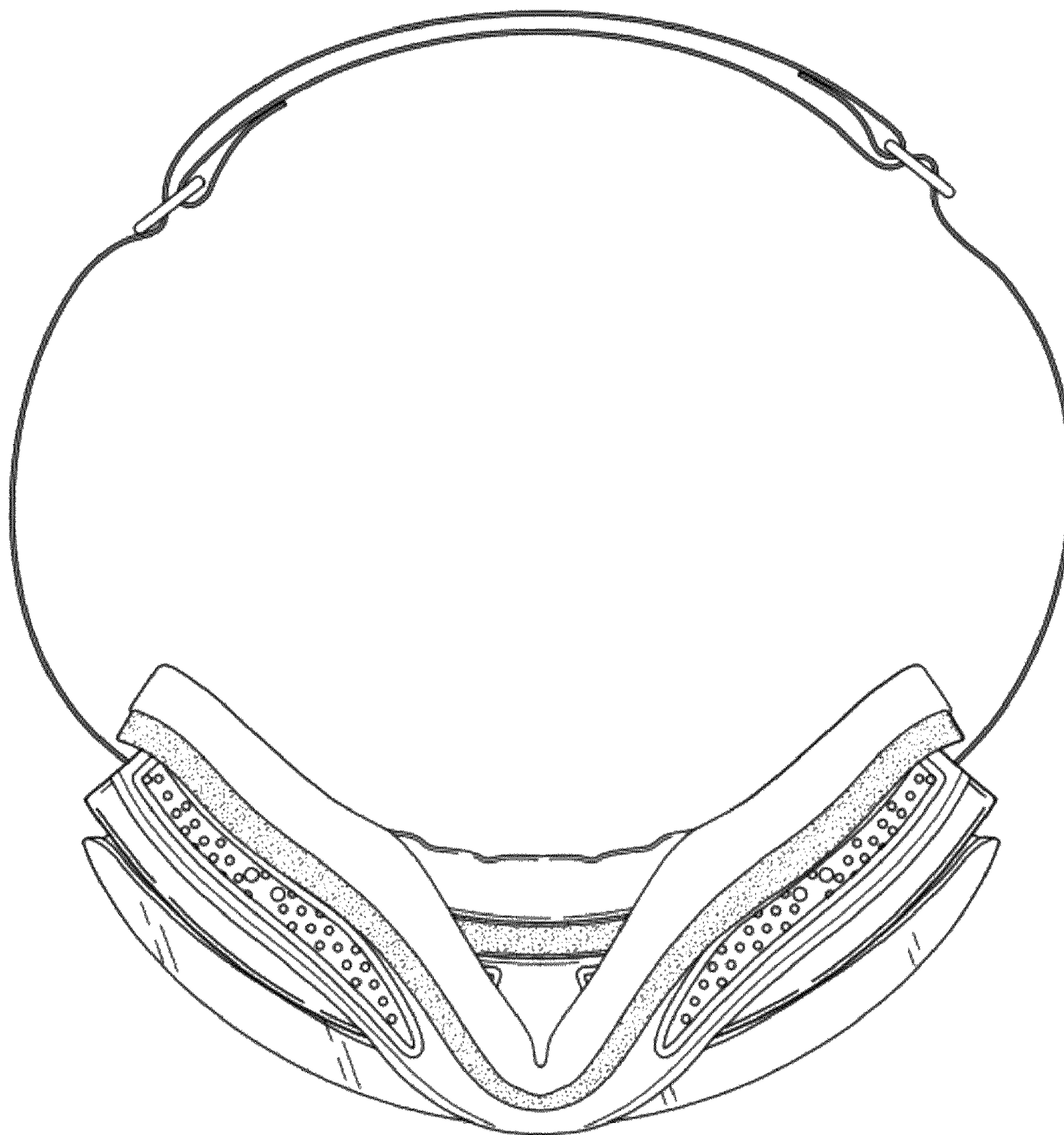


FIG. 7