

US00D653693S

(12) **United States Design Patent**  
**Jannard et al.**

(10) **Patent No.:** **US D653,693 S**

(45) **Date of Patent:** **\*\* Feb. 7, 2012**

(54) **CAMERA COMPONENT**

(75) Inventors: **James H. Jannard**, Las Vegas, NV (US); **Matthew Gene Tremblay**, Laguna Beach, CA (US); **Peter Jarred Land**, Lake Forest, CA (US)

(73) Assignee: **Red.com, Inc.**, Irvine, CA (US)

(\*\*) Term: **14 Years**

(21) Appl. No.: **29/348,372**

(22) Filed: **Dec. 24, 2009**

(51) **LOC (9) Cl.** ..... **16-05**

(52) **U.S. Cl.** ..... **D16/243**

(58) **Field of Classification Search** ..... D16/200–209,  
D16/231, 234, 243; 224/908; 358/906; 396/425,  
396/419, 420

See application file for complete search history.

(56) **References Cited**

**U.S. PATENT DOCUMENTS**

D402,301 S \* 12/1998 Sekine ..... D16/202  
D408,040 S \* 4/1999 Miyahara ..... D16/202  
D425,099 S \* 5/2000 Nakanishi ..... D16/243

D511,788 S \* 11/2005 Yatabe ..... D16/243  
\* cited by examiner

*Primary Examiner* — Nanda Bondade

(74) *Attorney, Agent, or Firm* — Gregory K. Nelson

(57) **CLAIM**

The ornamental design for a camera component, as shown and described.

**DESCRIPTION**

FIG. 1 is a front perspective view of the camera component of the present invention;

FIG. 2 is a rear perspective view thereof;

FIG. 3 is a front elevational view thereof;

FIG. 4 is a rear elevational view thereof;

FIG. 5 is a left-side elevational view thereof;

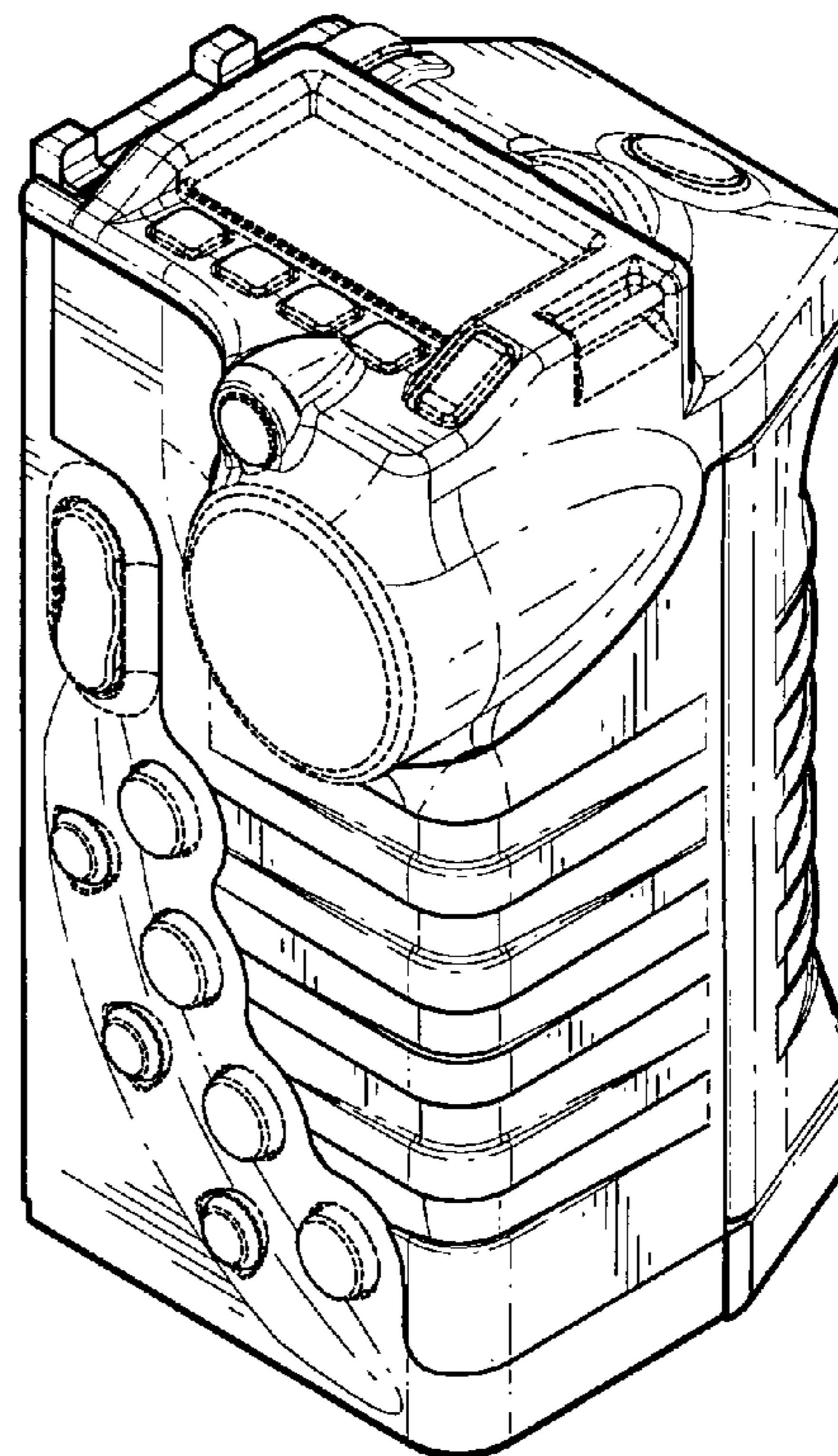
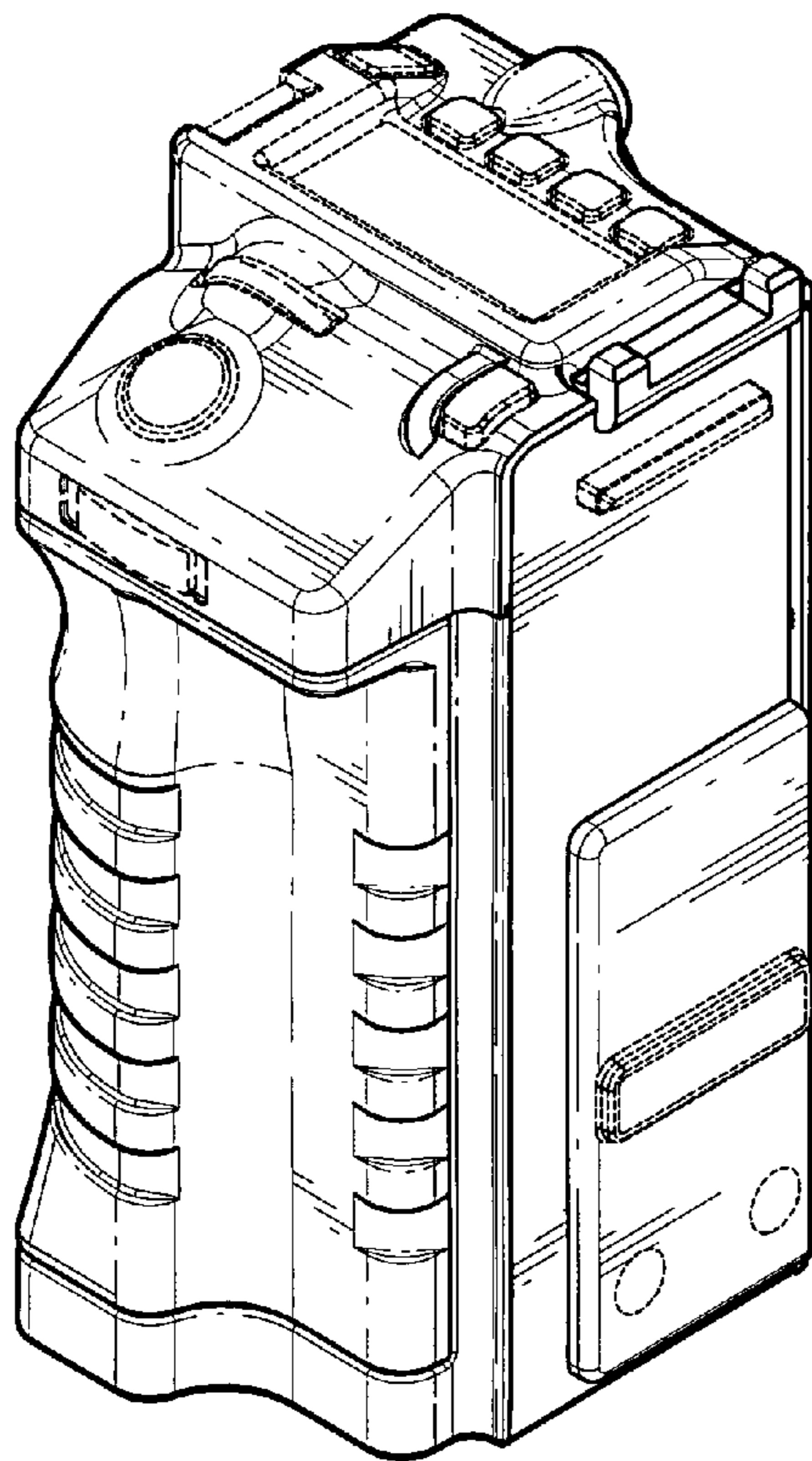
FIG. 6 is a right-side elevational view thereof;

FIG. 7 is a top plan view thereof; and,

FIG. 8 is a bottom plan view thereof.

The broken line showing on the drawing disclosure is for illustrative purposes only and forms no part of the claimed design.

**1 Claim, 4 Drawing Sheets**



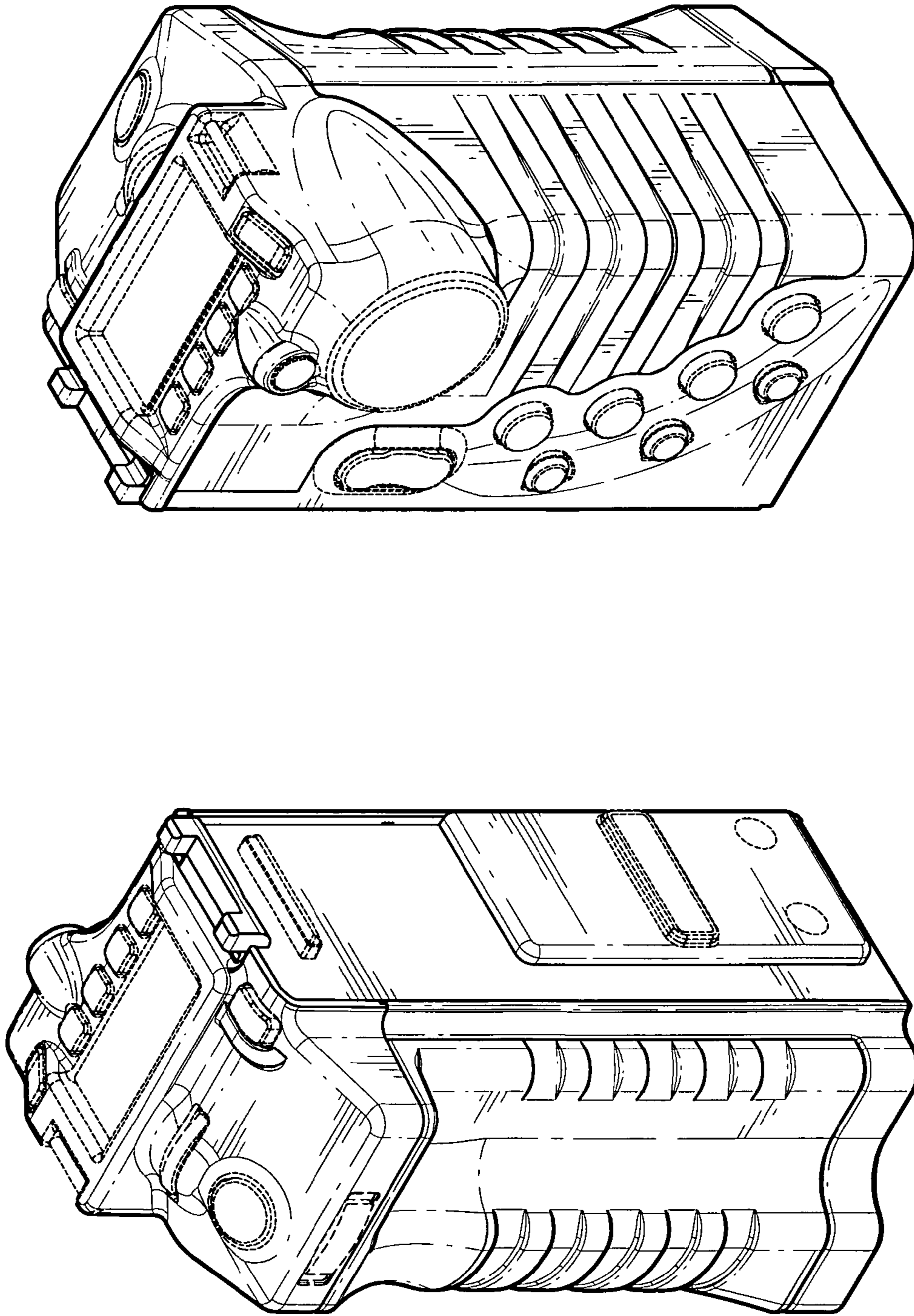


FIG. 1

FIG. 2

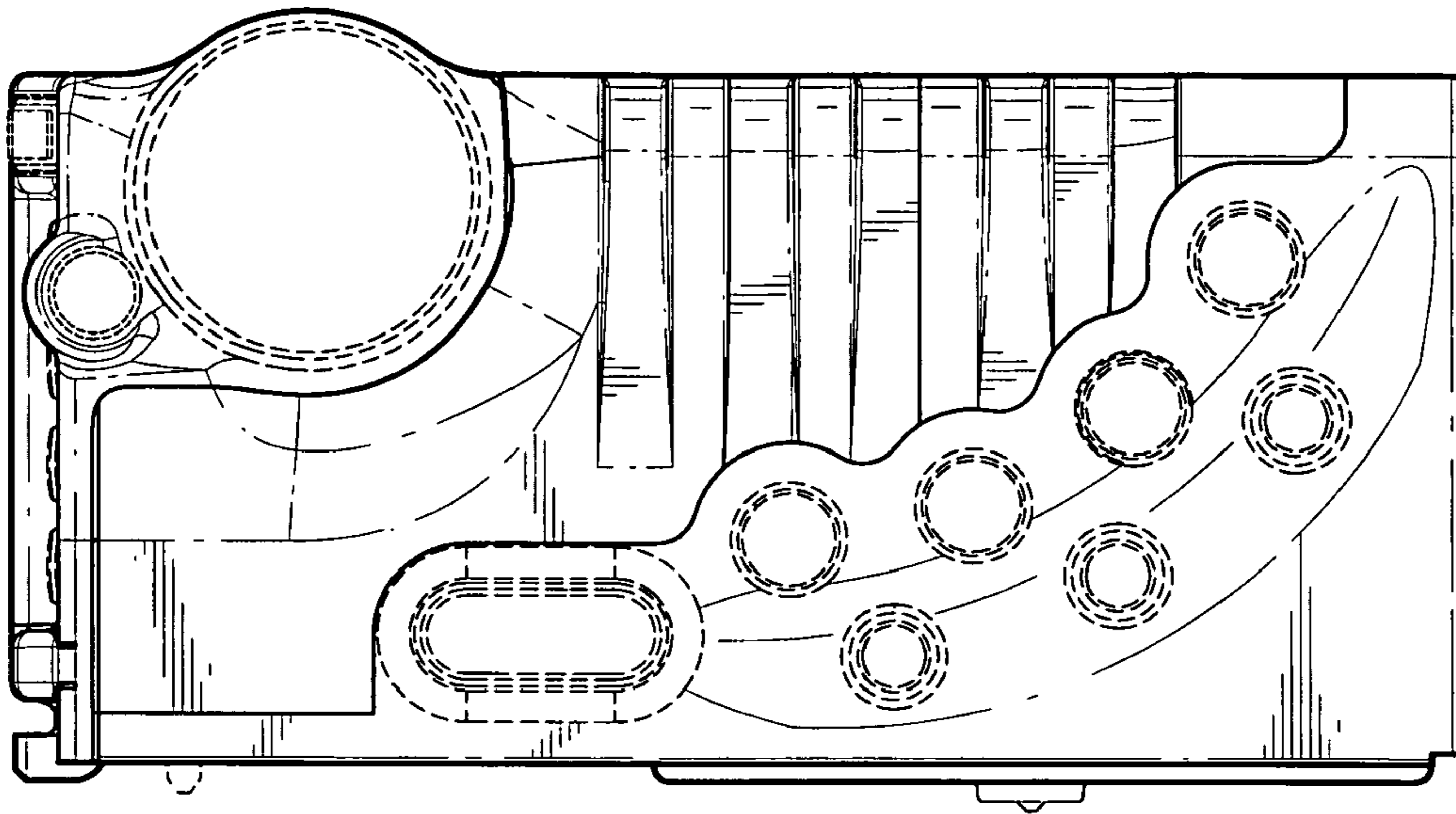


FIG. 4

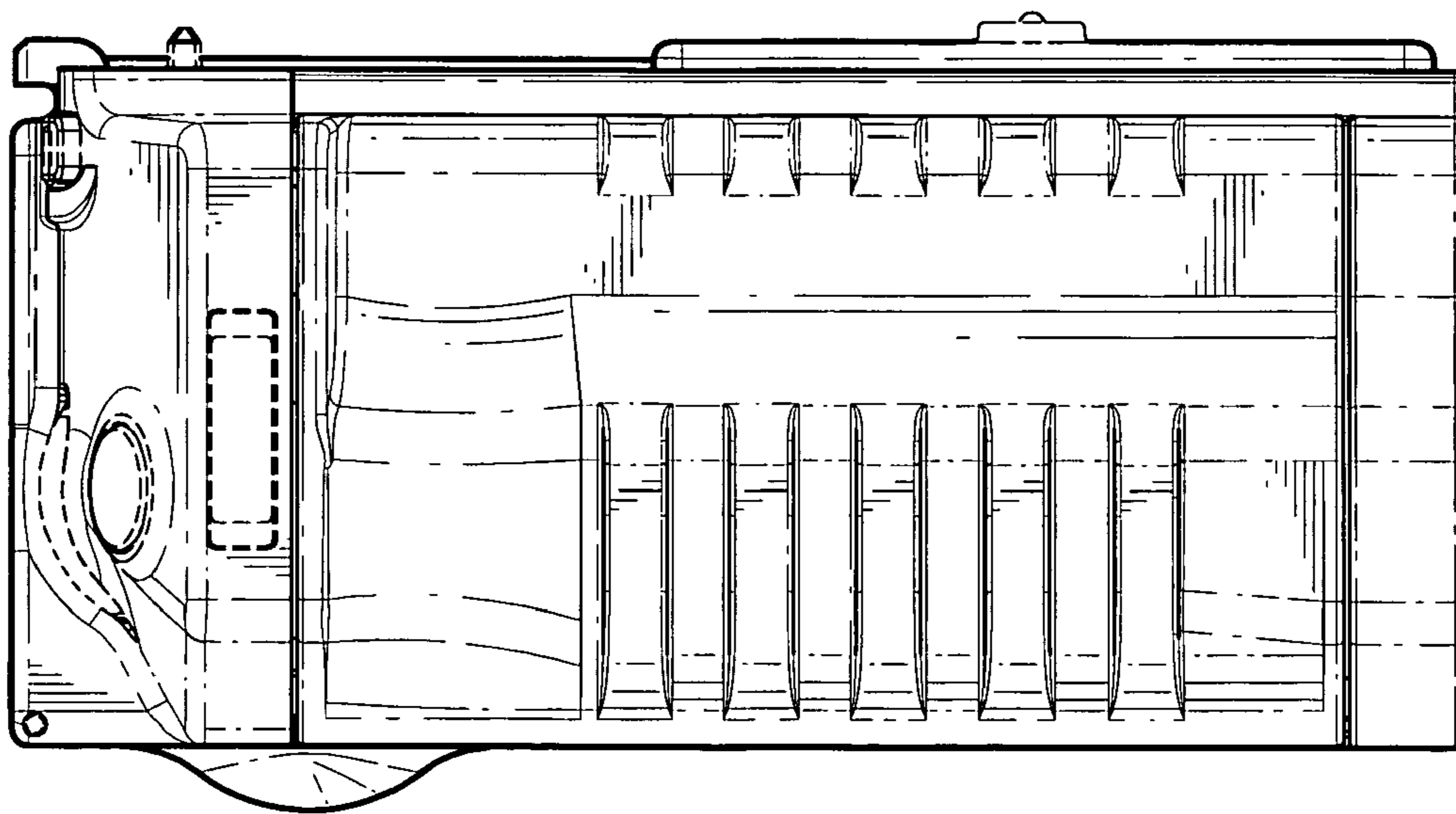


FIG. 3

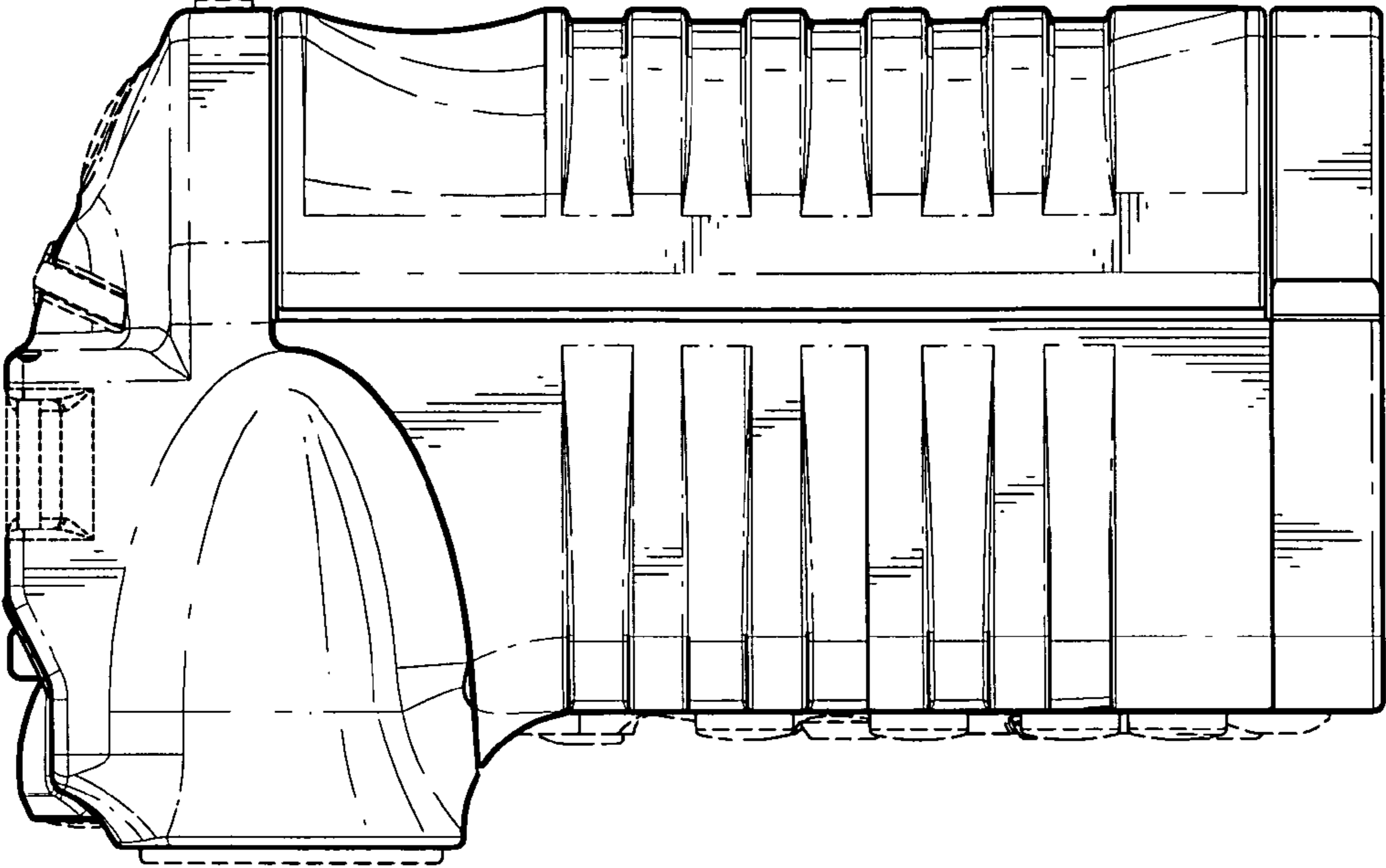


FIG. 5

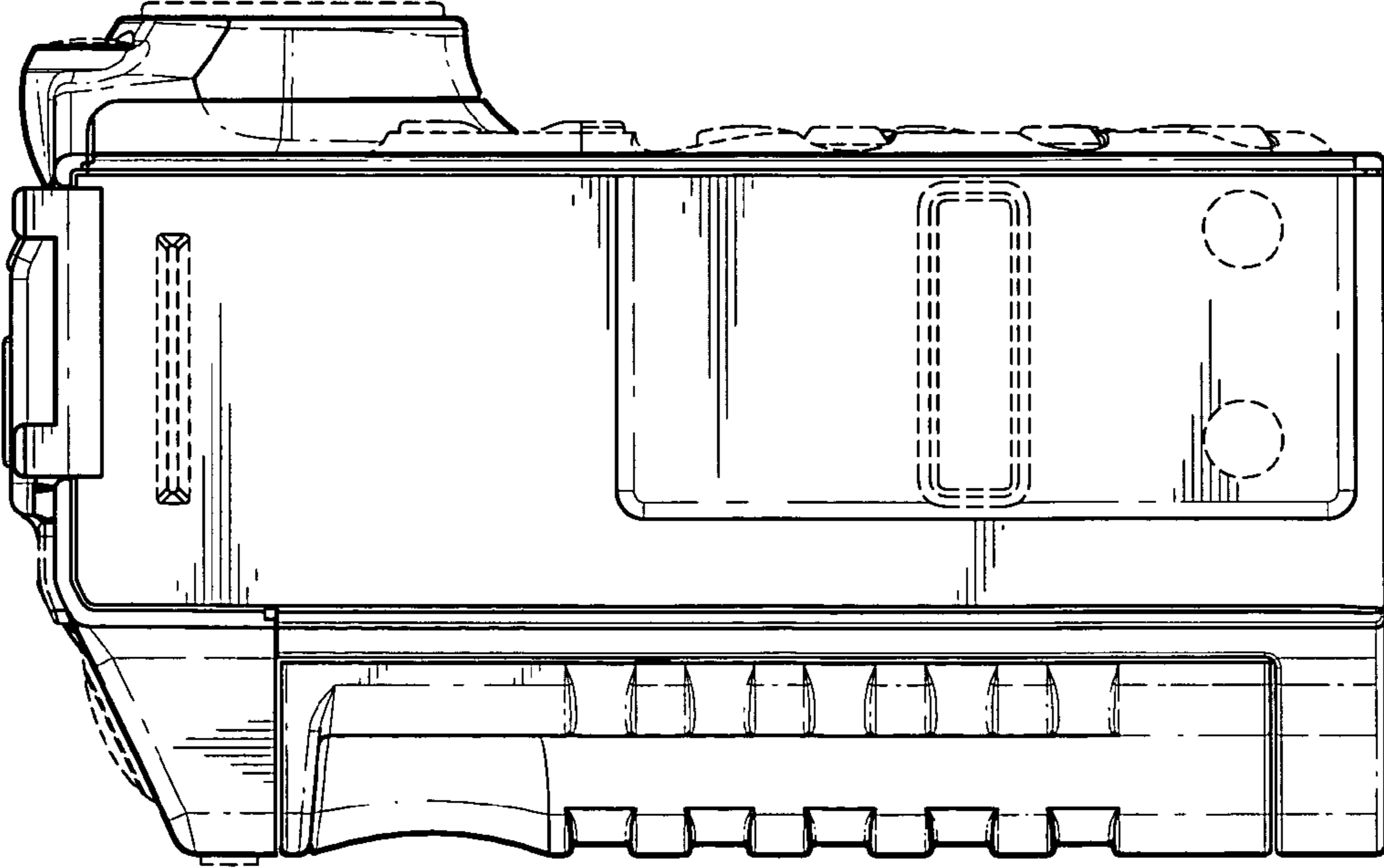


FIG. 6

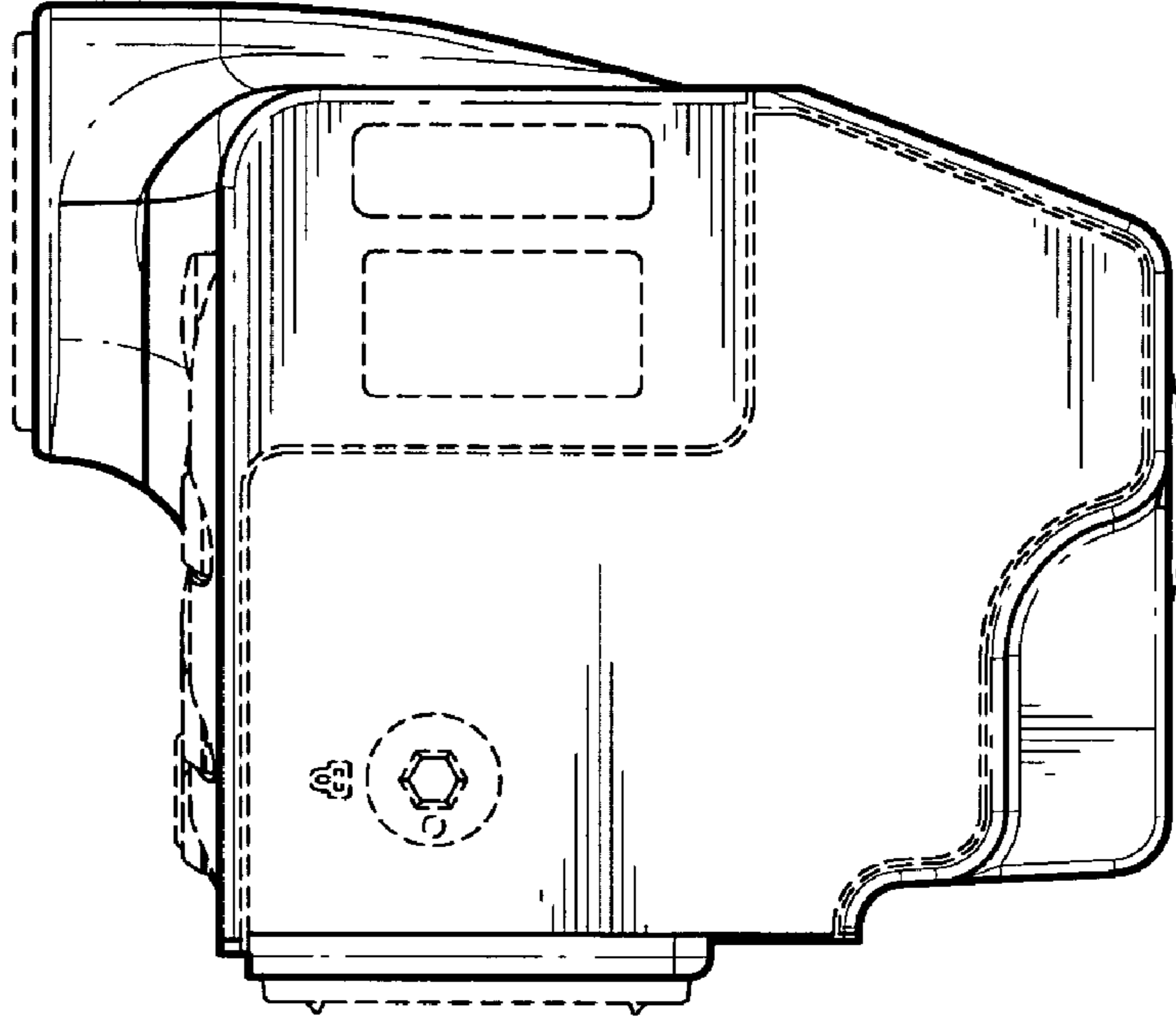


FIG. 7

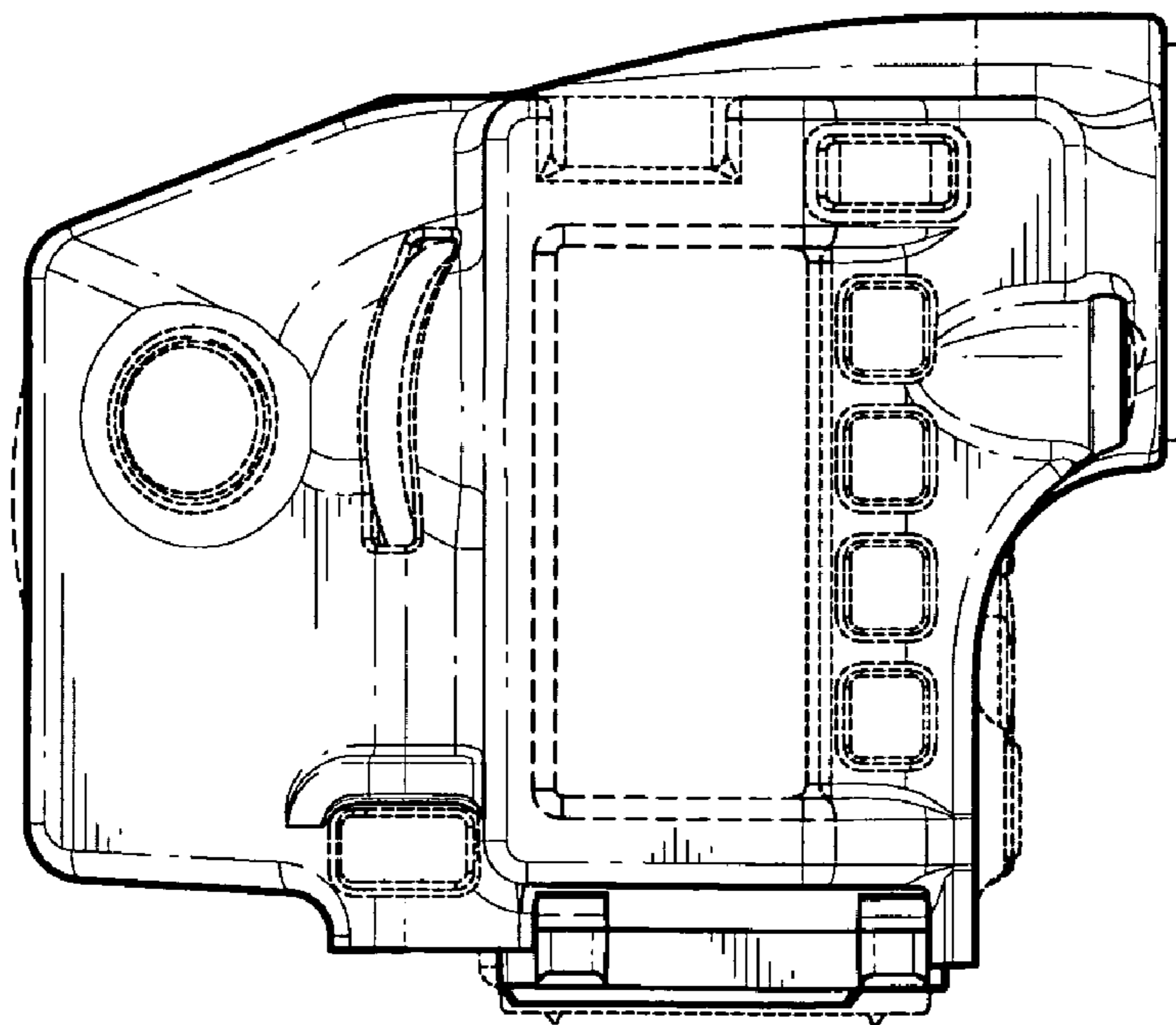


FIG. 8