



US00D653692S

(12) **United States Design Patent**
Dordick

(10) **Patent No.:** **US D653,692 S**

(45) **Date of Patent:** **** Feb. 7, 2012**

- (54) **PANORAMIC CAMERA MOUNT**
- (76) **Inventor:** **Scott D. Dordick, La Verne, CA (US)**
- (**) **Term:** **14 Years**
- (21) **Appl. No.:** **29/374,467**
- (22) **Filed:** **Aug. 16, 2011**
- (51) **LOC (9) Cl.** **16-05**
- (52) **U.S. Cl.** **D16/242**
- (58) **Field of Classification Search** D16/242,
D16/244, 245; 248/177.1, 183.3, 187.1;
352/343; 396/419, 428
See application file for complete search history.

7,287,731 B2 *	10/2007	Johnson	248/177.1
D564,567 S *	3/2008	Dordick	D16/242
D629,440 S *	12/2010	Newman	D16/242
D630,240 S *	1/2011	Torbitt	D16/245

* cited by examiner

Primary Examiner — Adir Aronovich

(57) **CLAIM**
The ornamental design for a panoramic camera mount, as shown.

DESCRIPTION

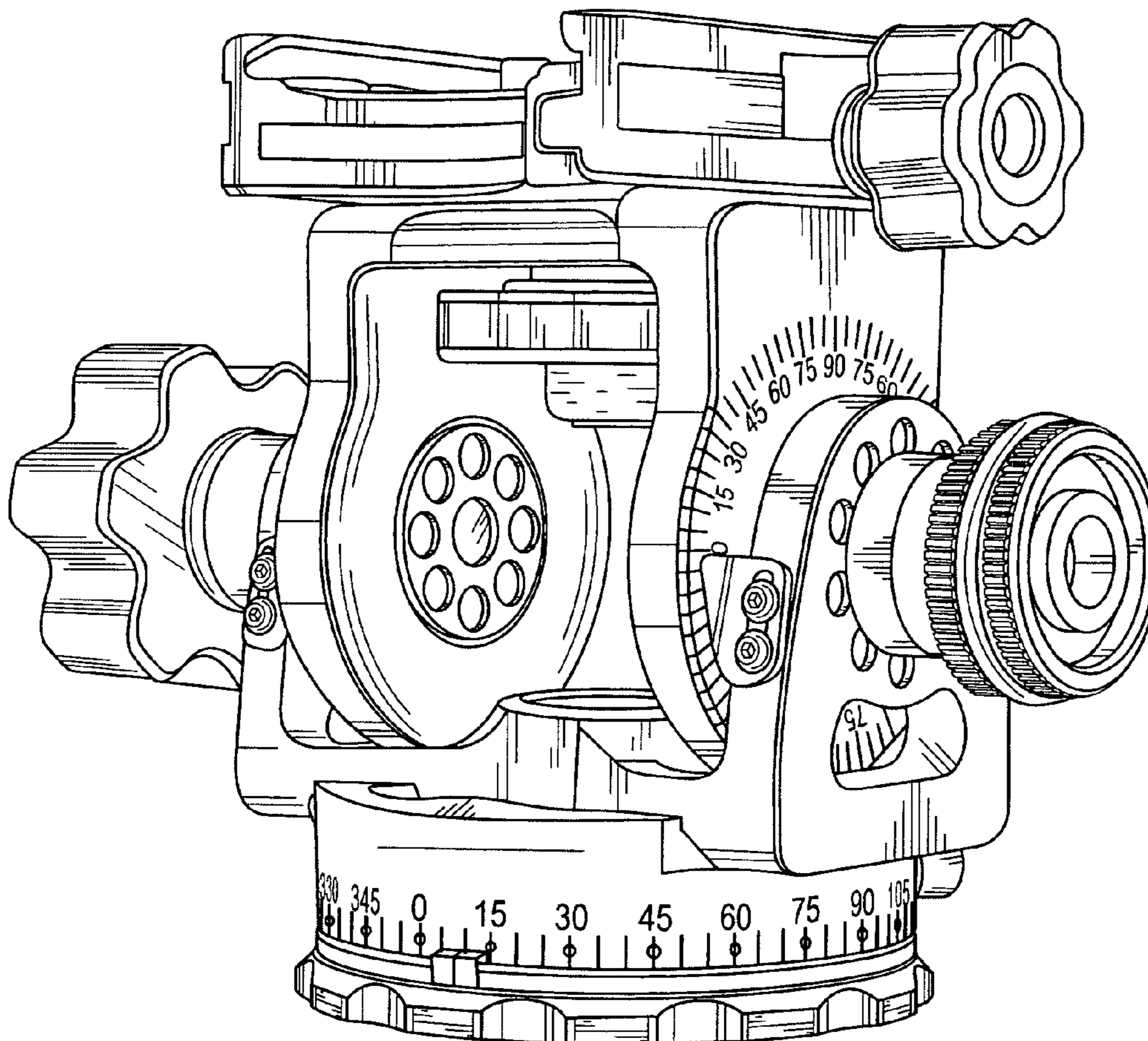
FIG. 1 is a perspective view of a camera mount showing my new design;
 FIG. 2 is a front elevation view thereof;
 FIG. 3 is a rear elevation view thereof;
 FIG. 4 is a top plan view thereof;
 FIG. 5 is a bottom plan view thereof;
 FIG. 6 is a right elevation view thereof; and,
 FIG. 7 is a left elevation view thereof.

1 Claim, 7 Drawing Sheets

(56) **References Cited**

U.S. PATENT DOCUMENTS

D245,988 S *	10/1977	Miller	D16/245
4,955,568 A *	9/1990	O'Connor et al.	248/183.3
4,959,671 A *	9/1990	Ishikawa	396/428
D323,339 S *	1/1992	Ishikawa	D16/245
6,513,784 B2 *	2/2003	Lindsay	248/178.1



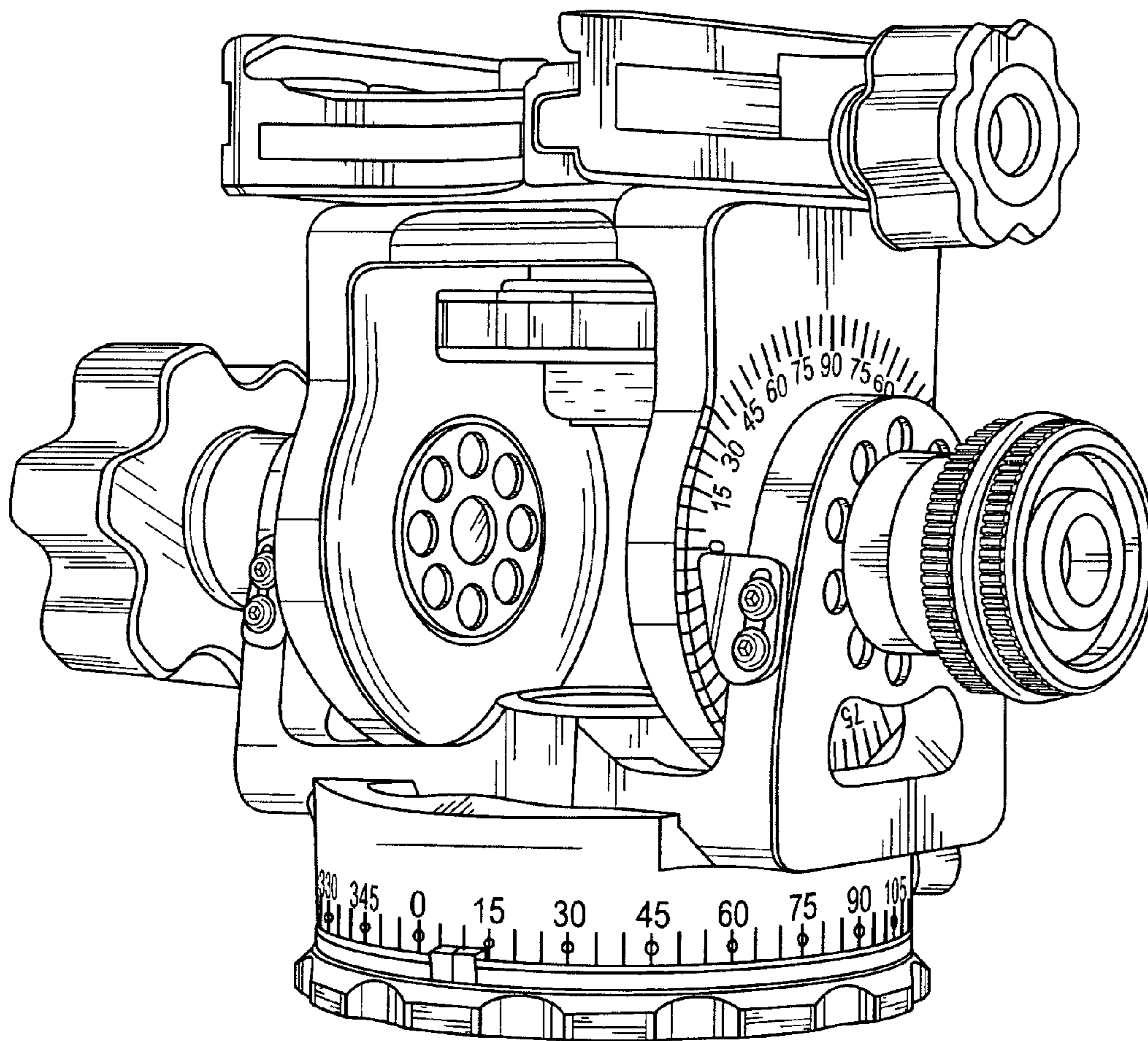


FIG. 1

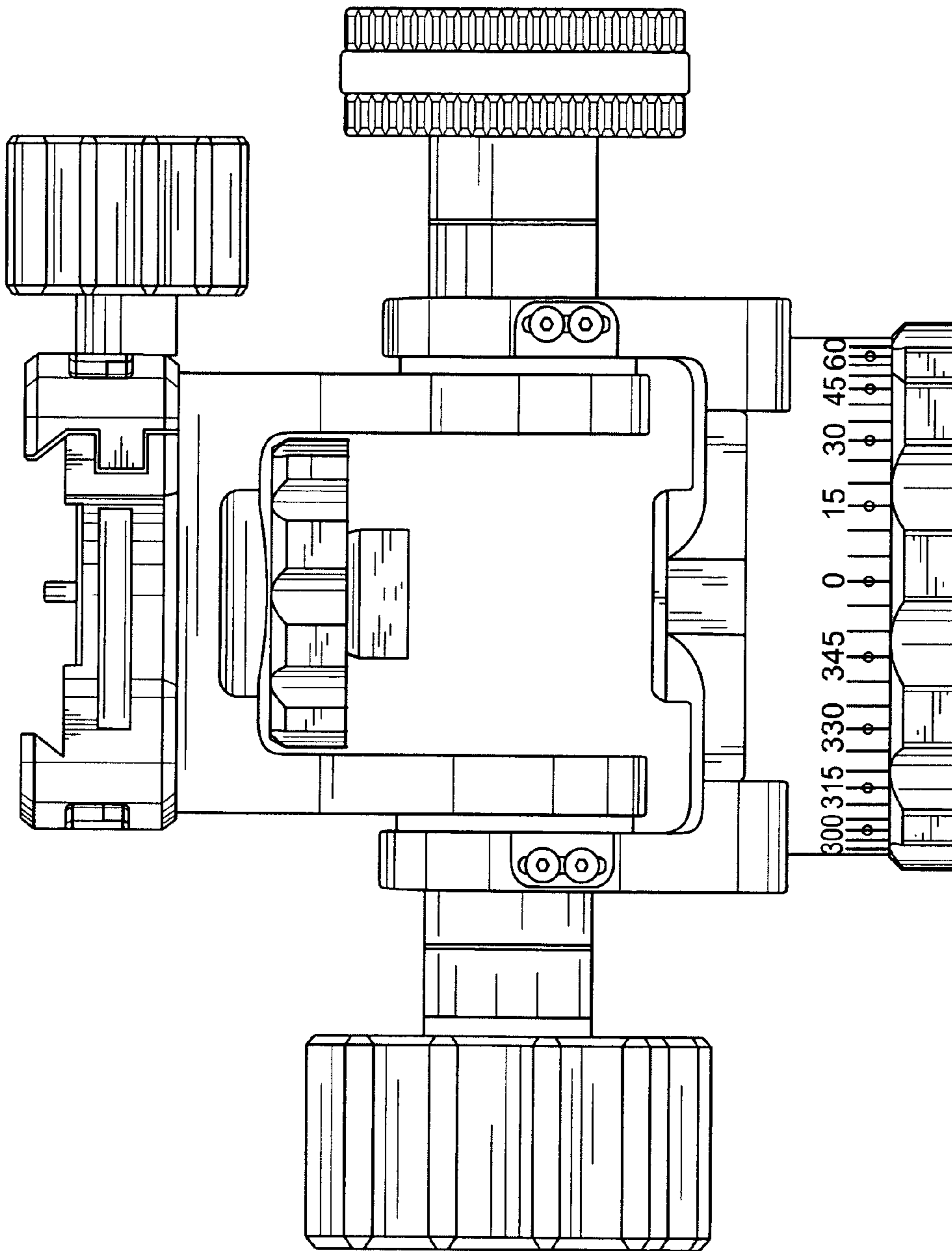


FIG. 2

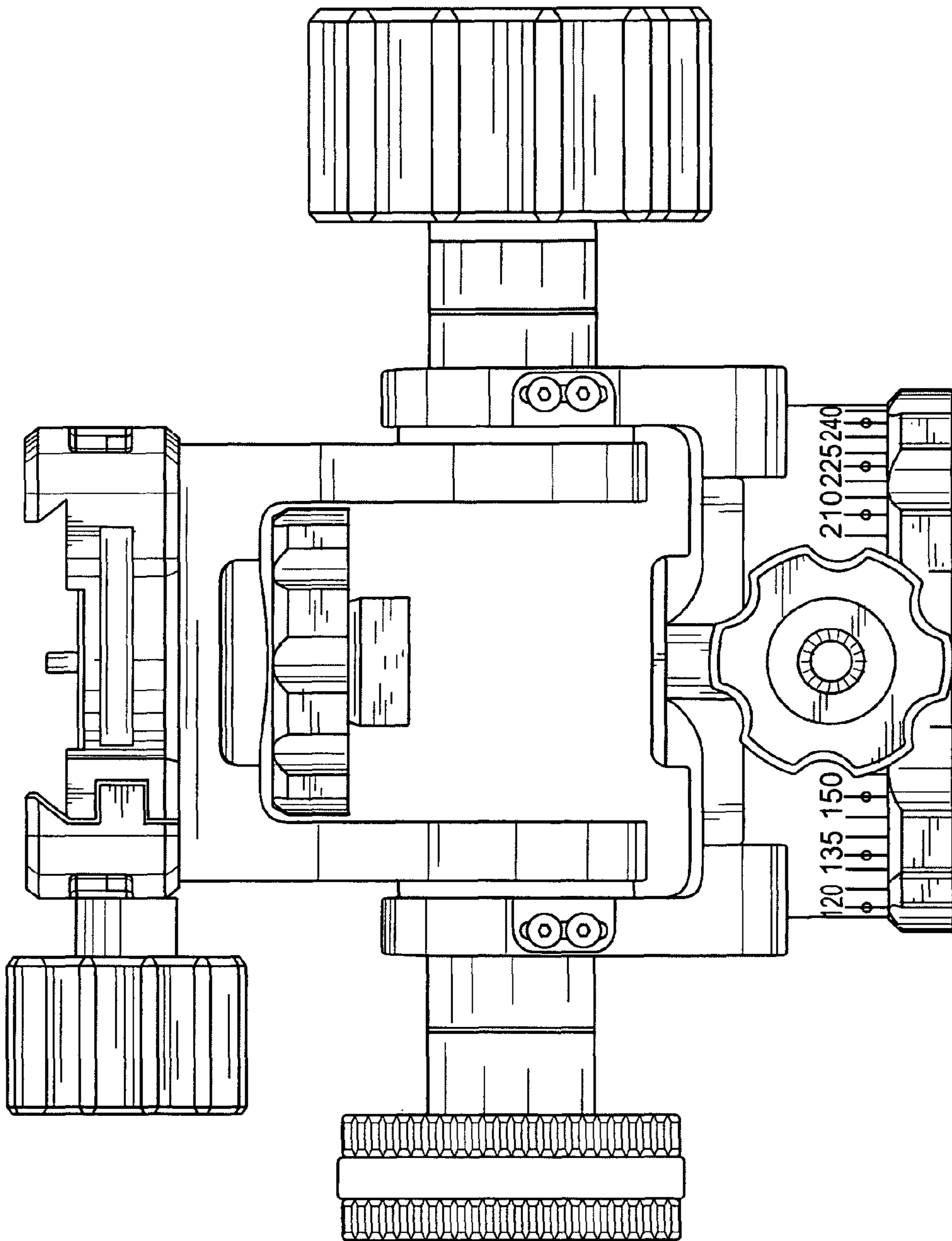


FIG. 3

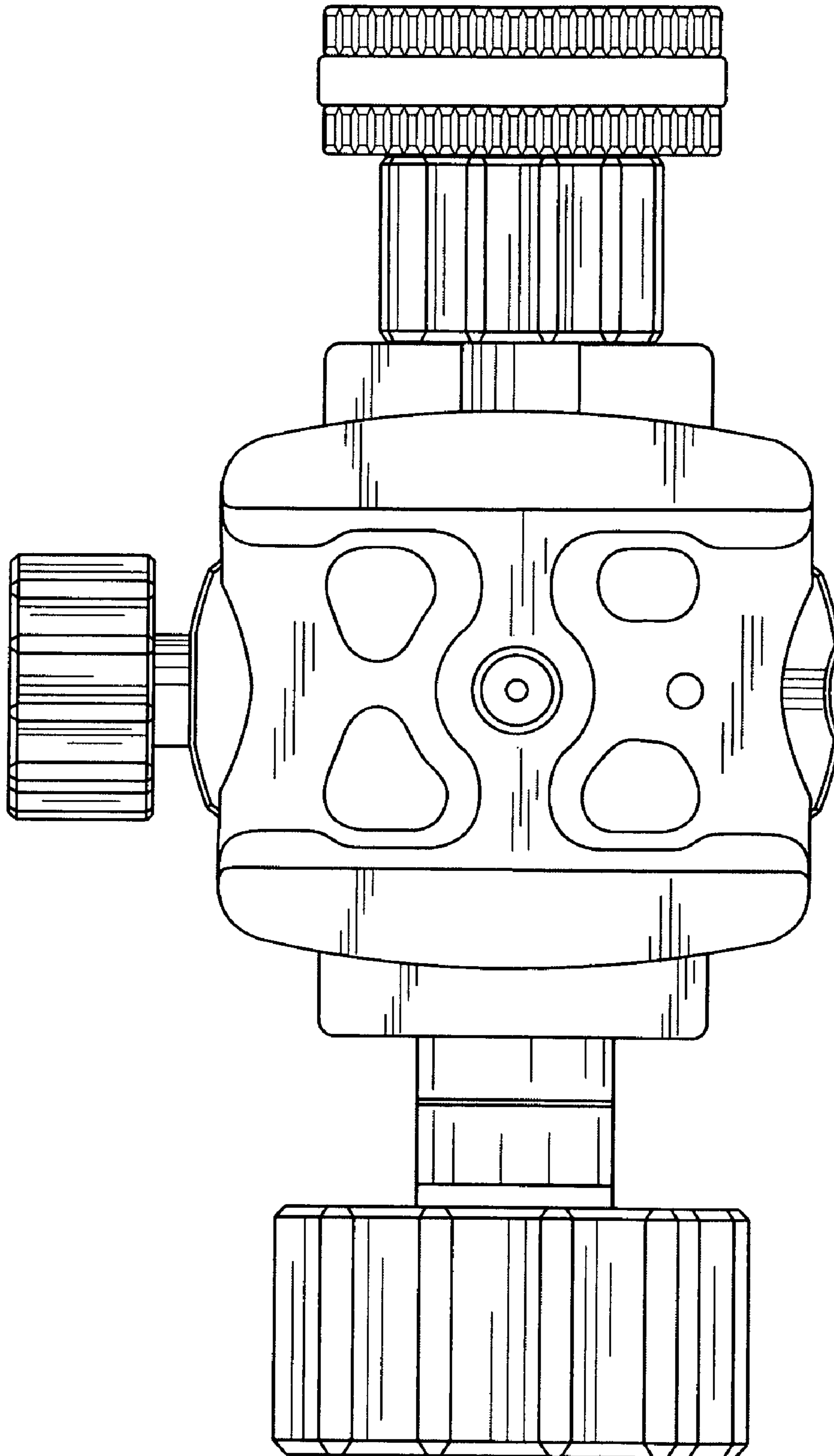


FIG. 4

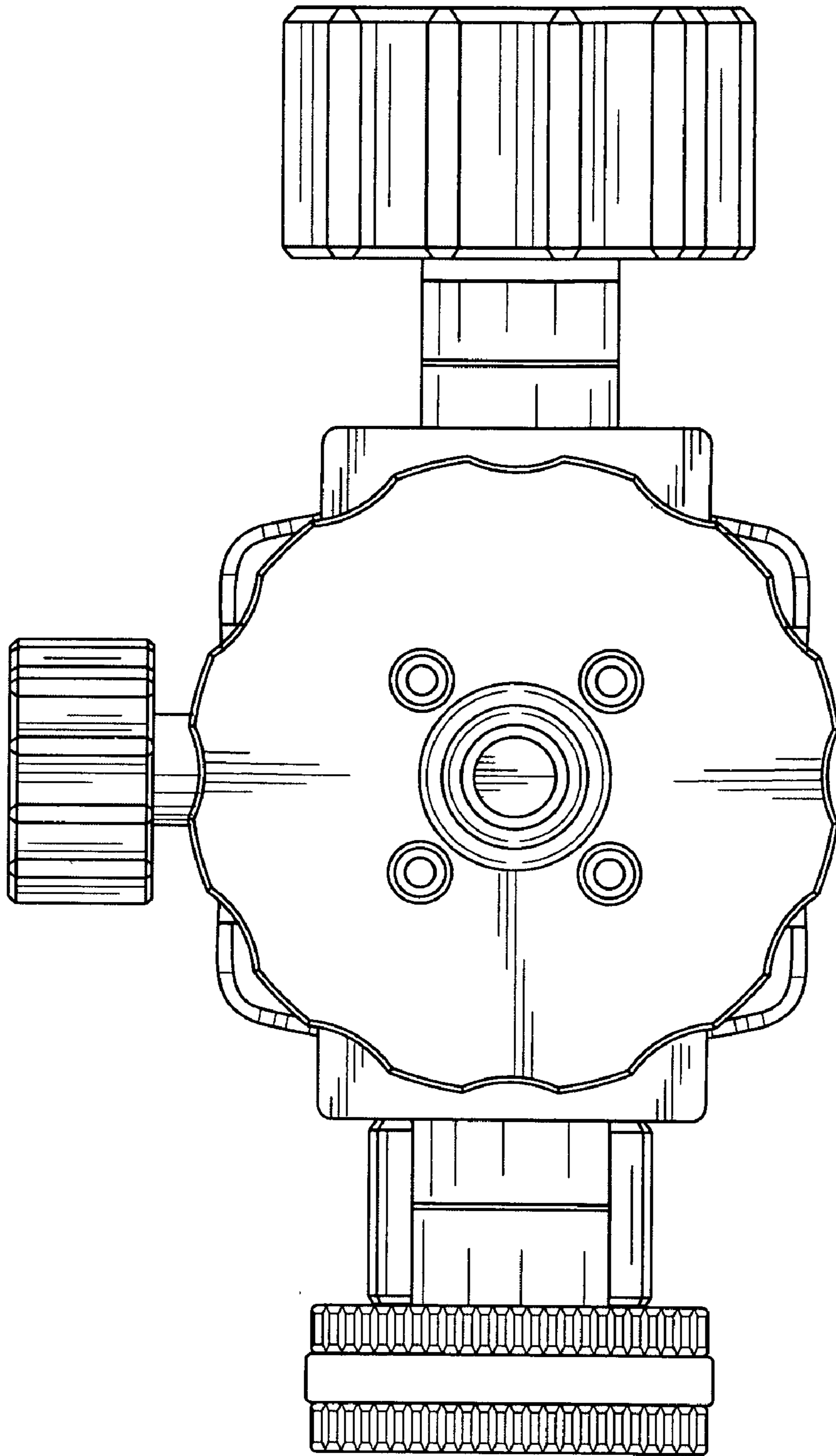


FIG. 5

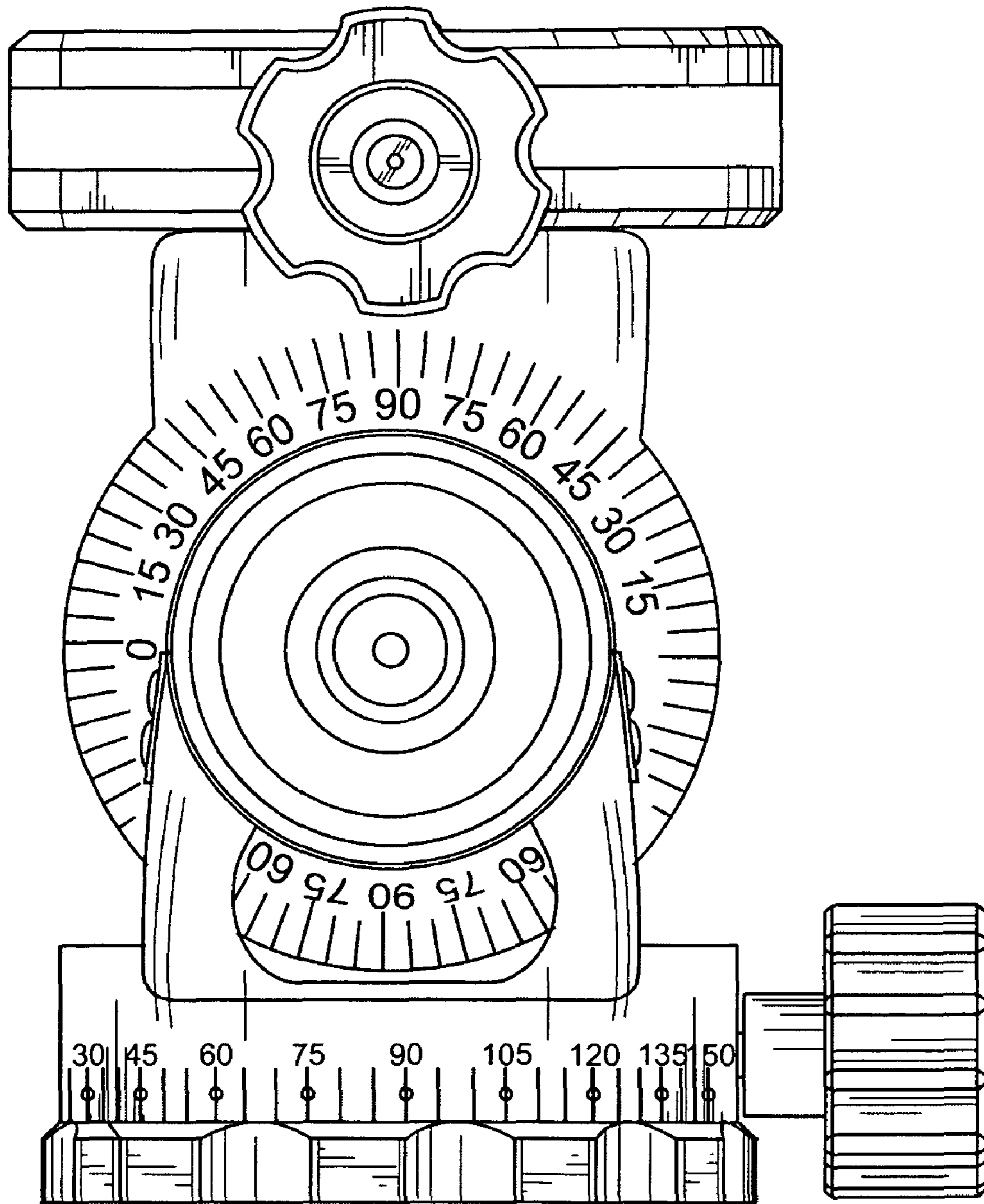


FIG. 6

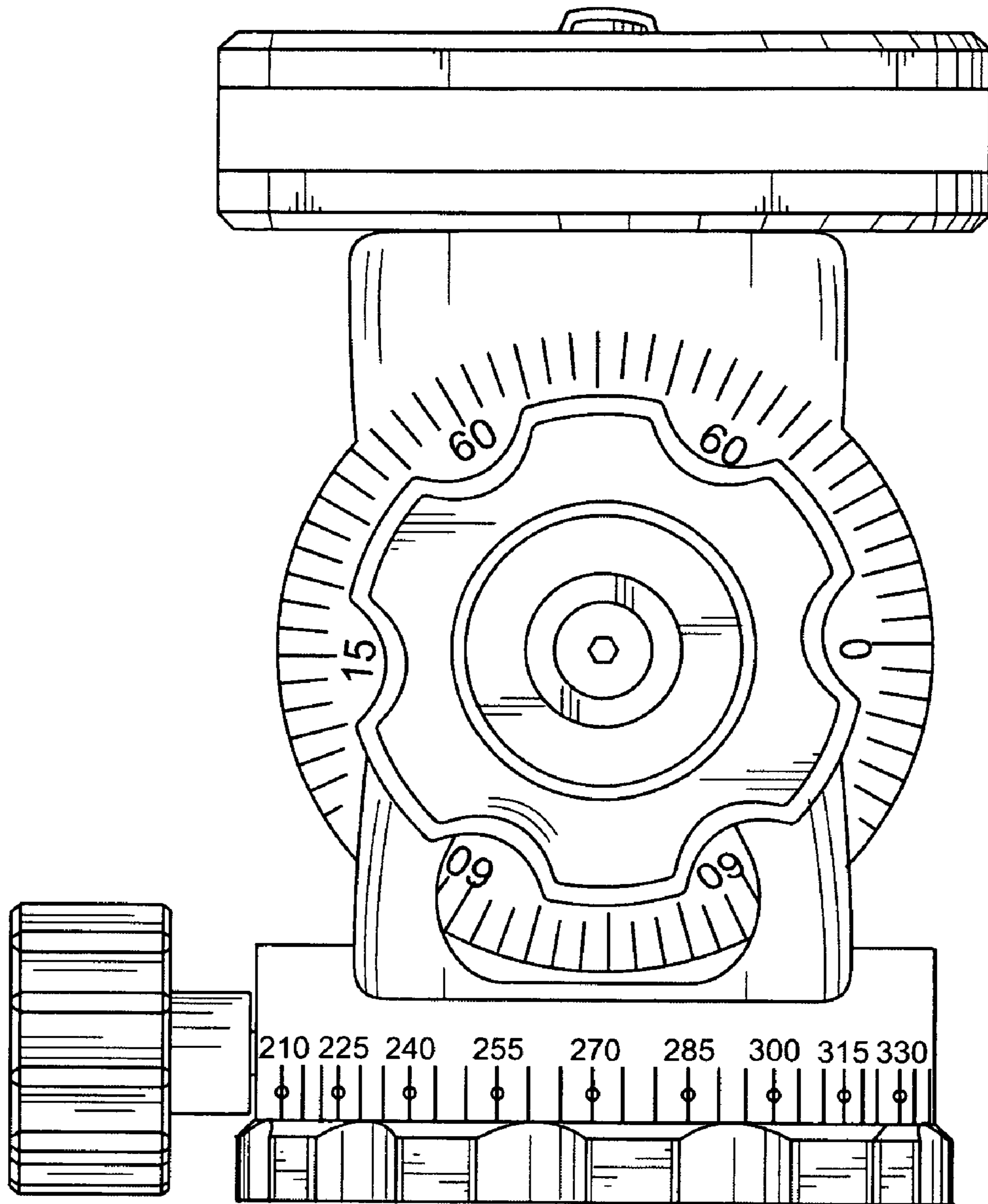


FIG. 7