



US00D653691S

(12) **United States Design Patent**
Takeda et al.

(10) **Patent No.:** **US D653,691 S**

(45) **Date of Patent:** **** Feb. 7, 2012**

(54) **PROJECTOR**

(75) Inventors: **Mikiya Takeda**, Tokyo (JP); **Jecky Lai**,
Taoyuan County (TW)

(73) Assignee: **NEC Display Solutions, Ltd.**, Tokyo
(JP)

(**) Term: **14 Years**

(21) Appl. No.: **29/389,714**

(22) Filed: **Apr. 15, 2011**

(30) **Foreign Application Priority Data**

Oct. 18, 2010 (JP) 2010-24873

(51) **LOC (9) Cl.** **16-02**

(52) **U.S. Cl.** **D16/235; D16/230**

(58) **Field of Classification Search** D16/205,
D16/208, 221, 225, 230-231, 234-235; D21/514;
353/115, 119, 122

See application file for complete search history.

(56) **References Cited**

U.S. PATENT DOCUMENTS

D450,077 S * 11/2001 Isono D16/230
D480,409 S * 10/2003 Wang et al. D16/230
D517,108 S * 3/2006 Chang et al. D16/230
D545,865 S * 7/2007 Azuma et al. D16/230

D552,657 S * 10/2007 Oota D16/230
D557,318 S * 12/2007 Nishimura et al. D16/230
D597,120 S * 7/2009 Oota D16/235
D600,735 S * 9/2009 Chigira et al. D16/225
D637,641 S * 5/2011 Lim et al. D16/230
D637,642 S * 5/2011 Lim et al. D16/230

* cited by examiner

Primary Examiner — Wan Laymon

(74) *Attorney, Agent, or Firm* — Sughrue Mion, PLLC

(57) **CLAIM**

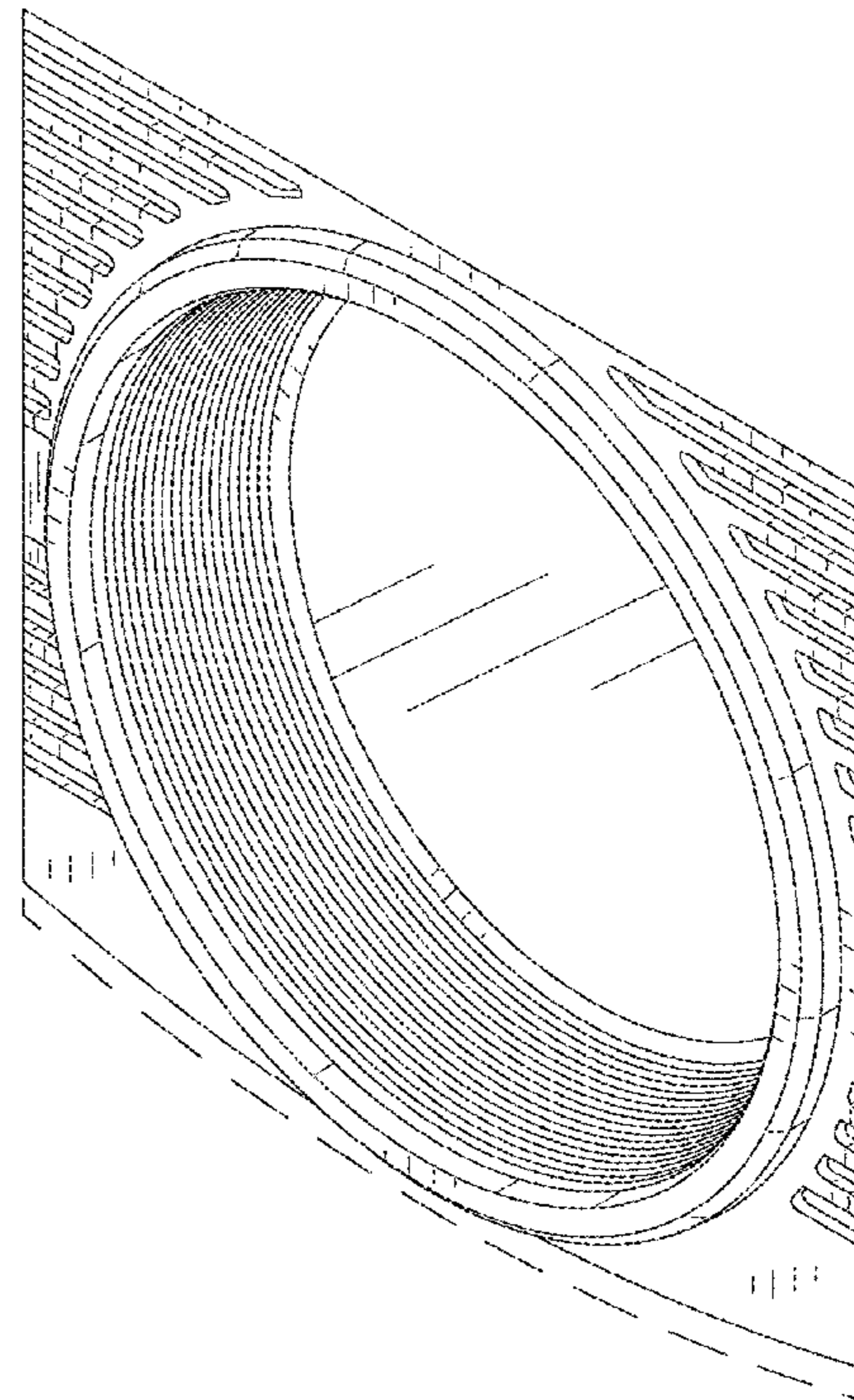
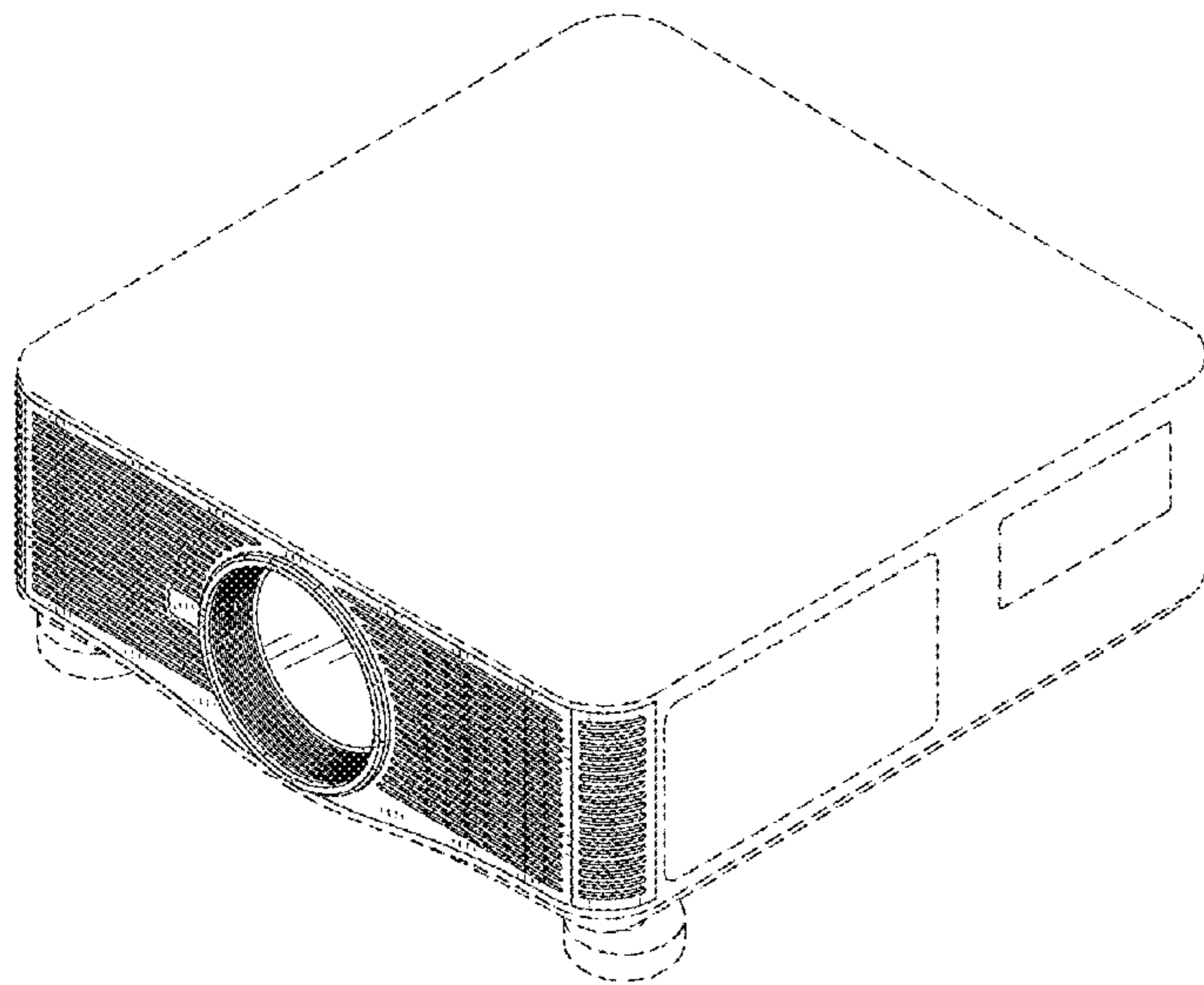
The ornamental design for a projector, as shown and described.

DESCRIPTION

FIG. 1 is a front, right side, top perspective view of a projector showing our new design;
FIG. 2 is an enlarged front elevational view thereof;
FIG. 3 is an enlarged rear elevational view thereof;
FIG. 4 is an enlarged left side view thereof;
FIG. 5 is an enlarged right side view thereof;
FIG. 6 is an enlarged top plan view thereof;
FIG. 7 is an enlarged bottom plan view thereof; and,
FIG. 8 is a partial enlarged perspective view thereof showing a lens and its adjacent parts.

The broken lines shown in the figures represent portions of the projector that form no part of the claimed design.

1 Claim, 6 Drawing Sheets



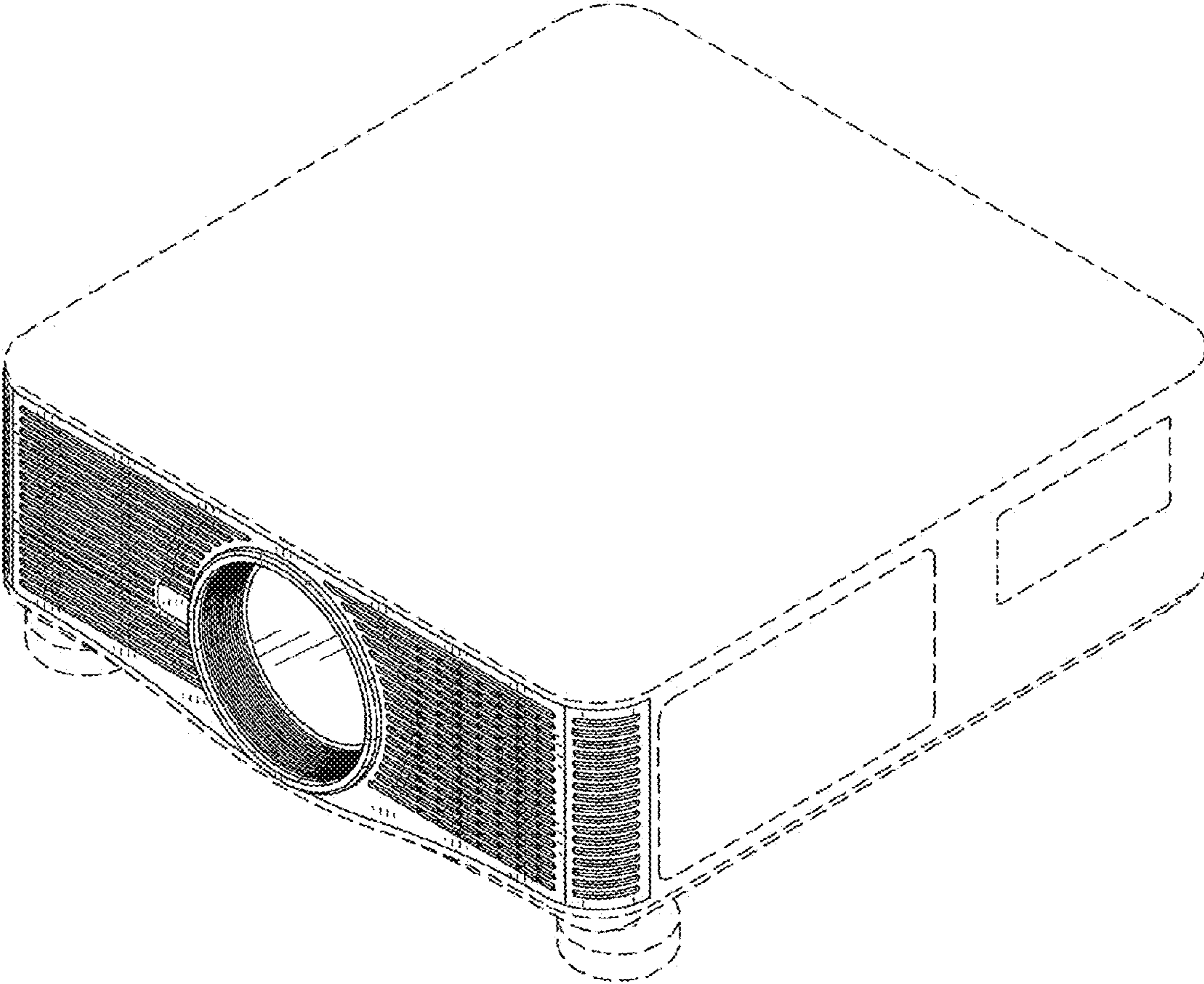


FIG. 1

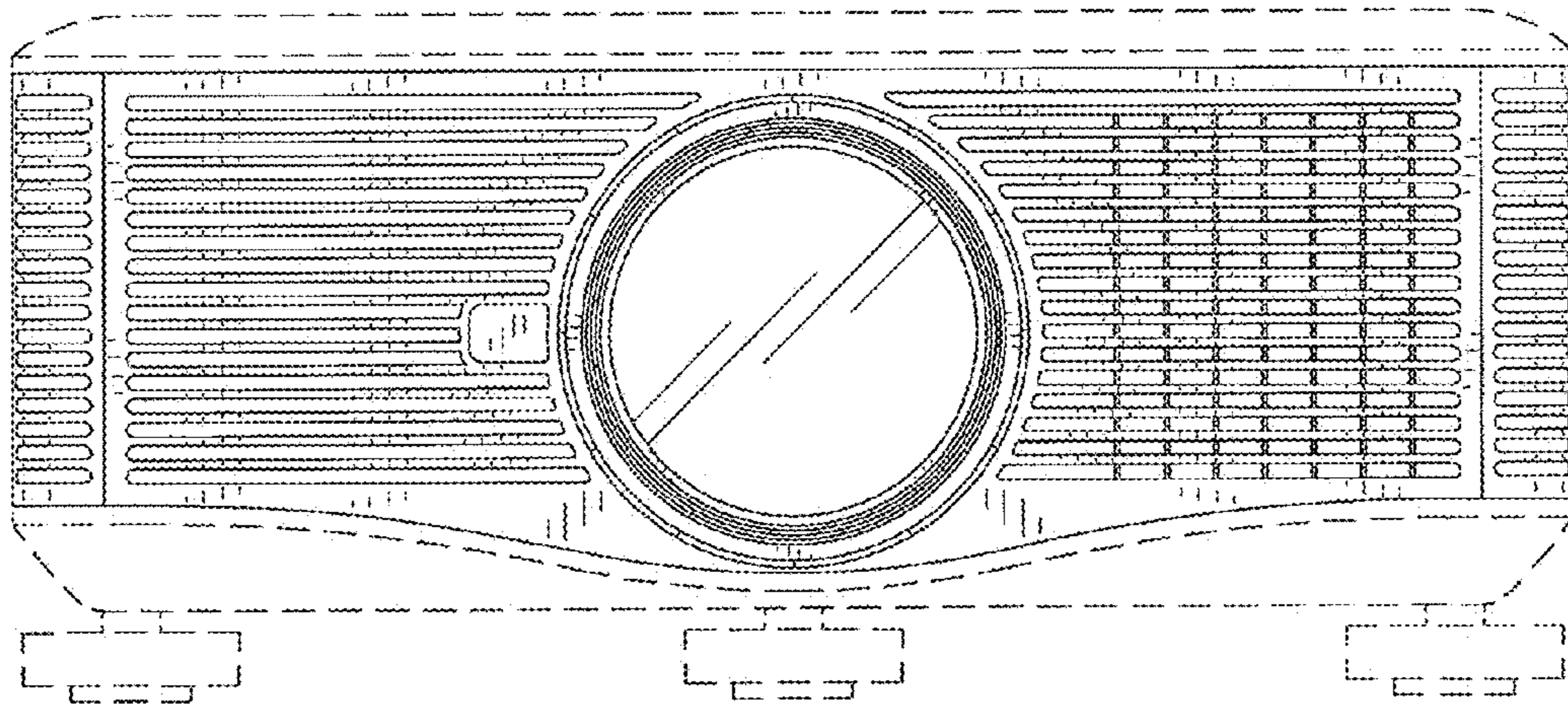


FIG. 2

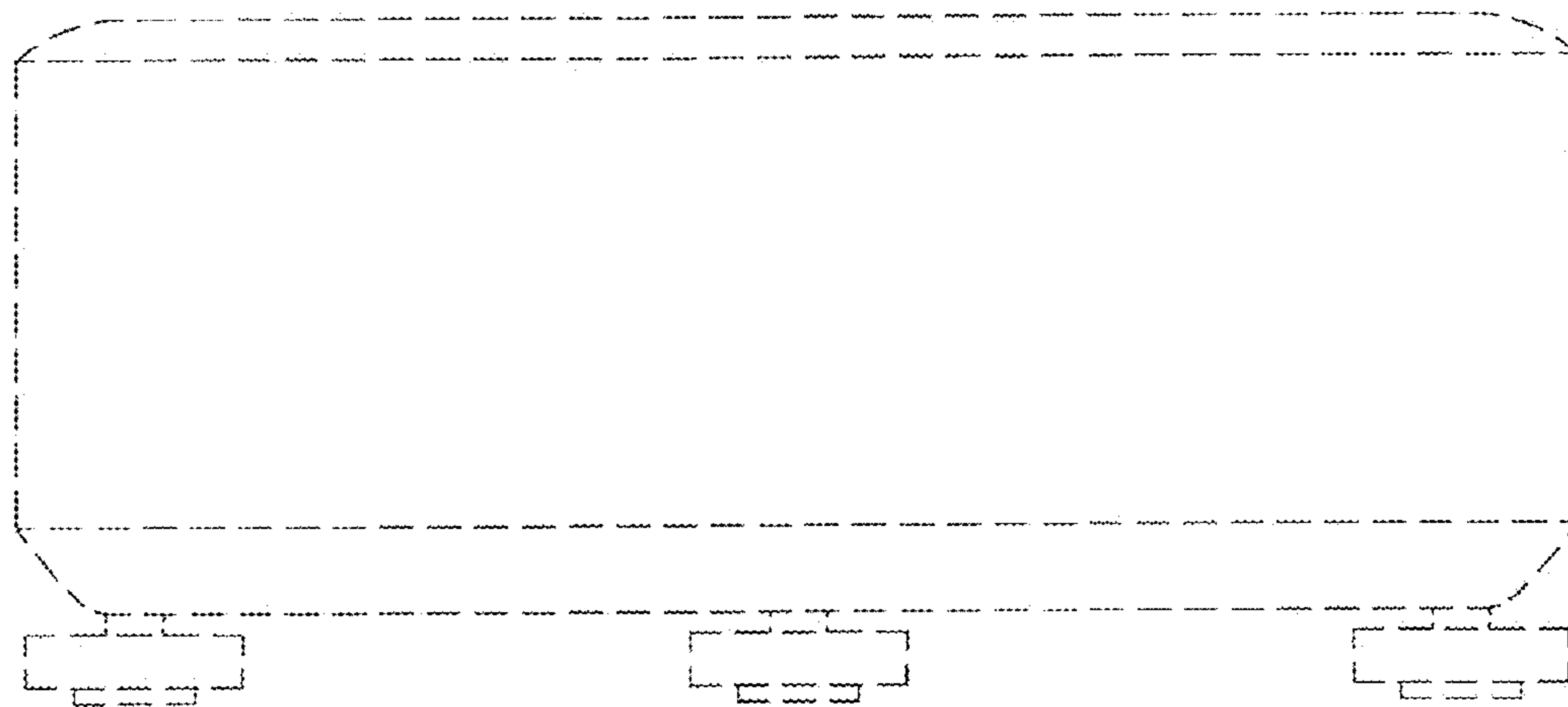


FIG. 3

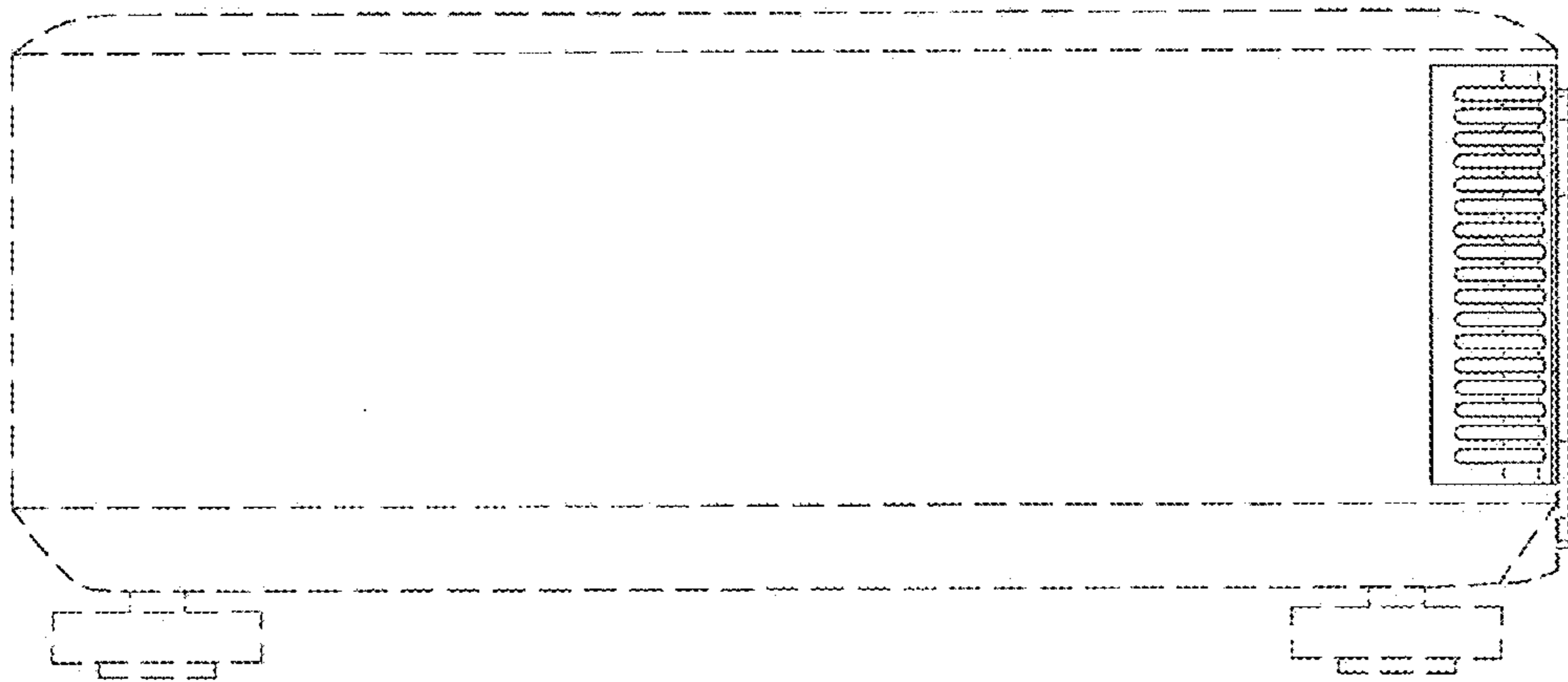


FIG. 4

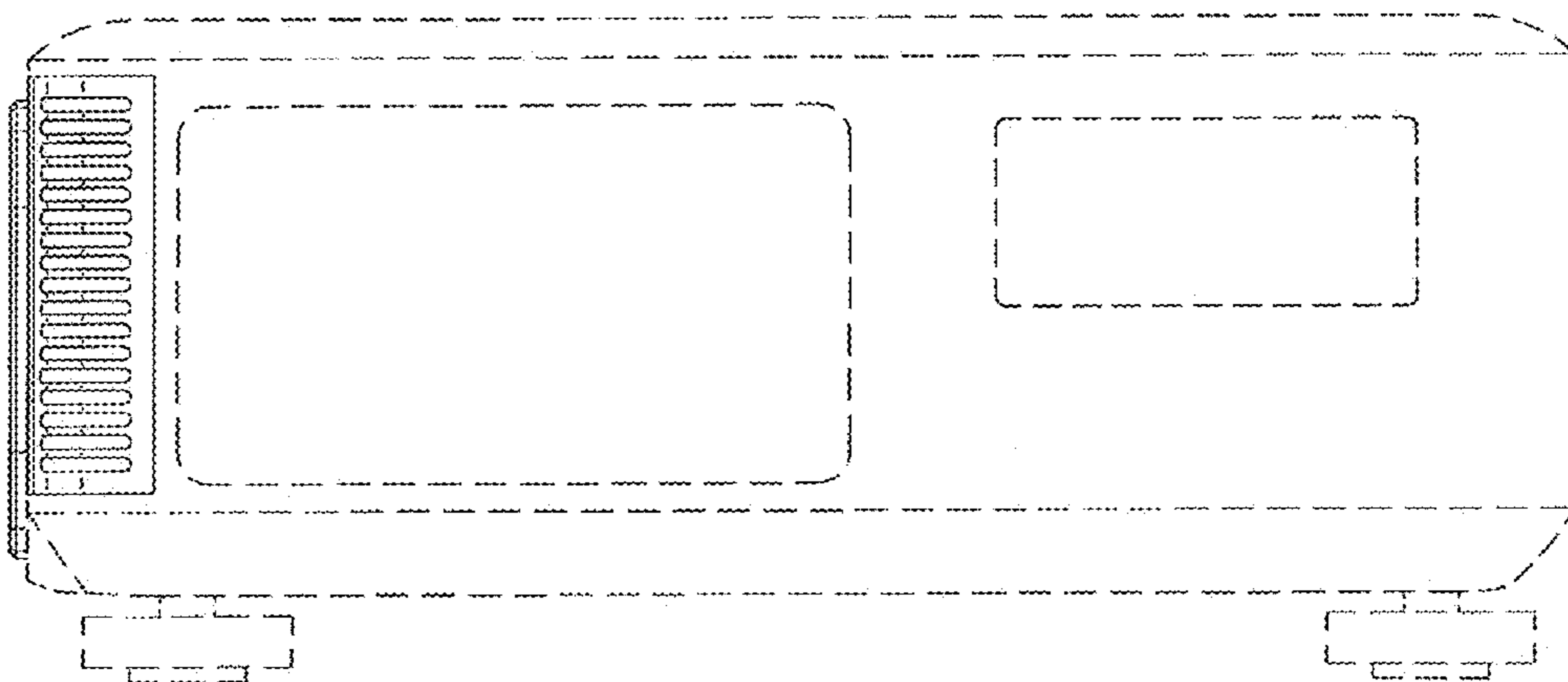


FIG. 5

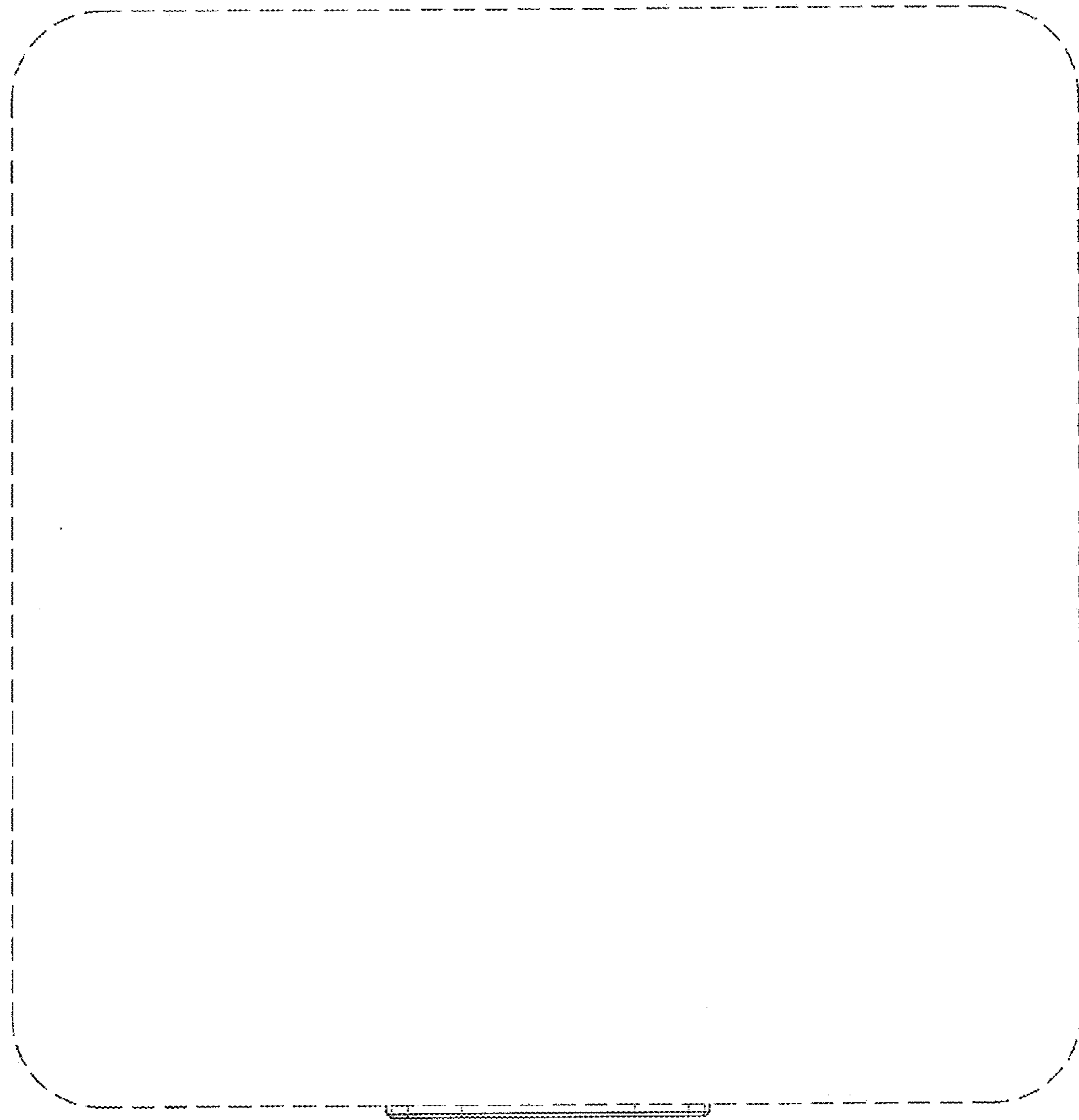


FIG. 6

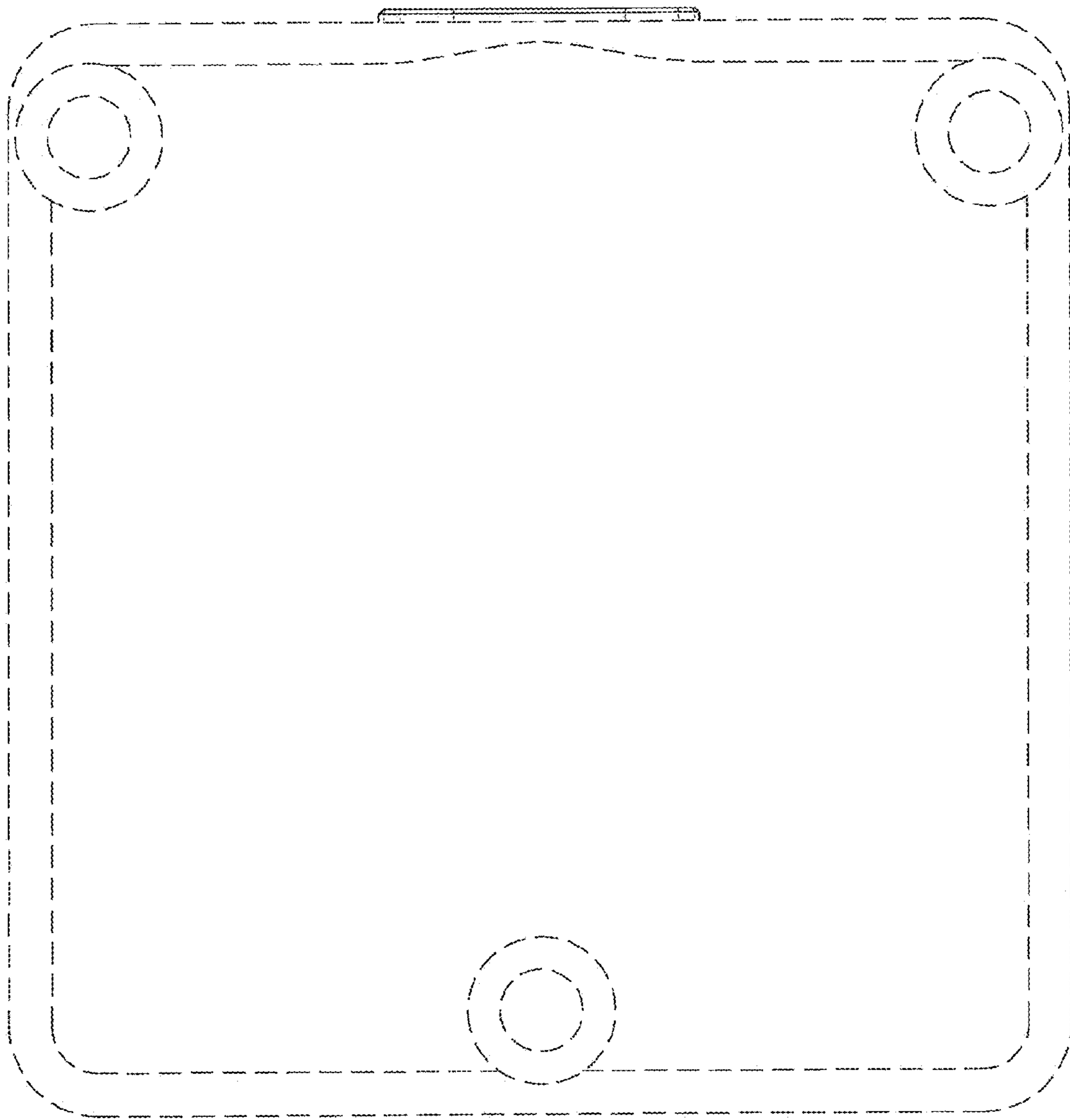


FIG. 7

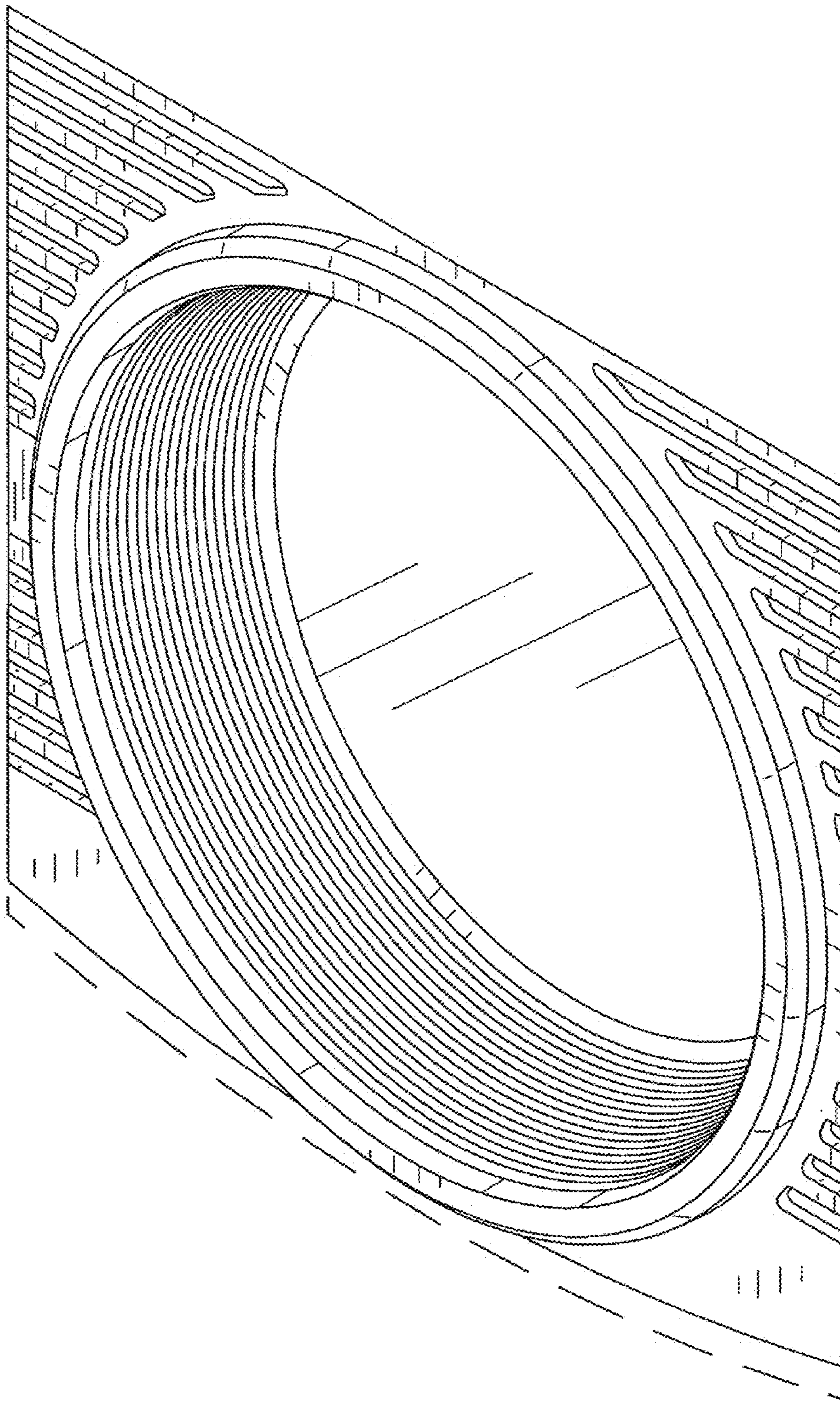


FIG. 8