



US00D653690S

(12) **United States Design Patent**
Takeda et al.

(10) **Patent No.:** **US D653,690 S**
(45) **Date of Patent:** **** Feb. 7, 2012**

(54) **PROJECTOR**

(75) Inventors: **Mikiya Takeda**, Tokyo (JP); **Jecky Lai**, Taoyuan County (TW)

(73) Assignee: **NEC Display Solutions, Ltd.**, Tokyo (JP)

(**) Term: **14 Years**

(21) Appl. No.: **29/389,712**

(22) Filed: **Apr. 15, 2011**

(30) **Foreign Application Priority Data**

Oct. 18, 2010 (JP) 2010-24874

(51) **LOC (9) Cl.** **16-02**

(52) **U.S. Cl.** **D16/235; D16/230**

(58) **Field of Classification Search** D16/205, D16/208, 221, 225, 230-231, 234-235; D13/162; D14/217-218; 353/115, 119, 122; 631/622, 631/627; 361/622, 627

See application file for complete search history.

(56) **References Cited**

U.S. PATENT DOCUMENTS

D290,707 S * 7/1987 Allen et al. D14/443
D418,532 S * 1/2000 Kuramoto et al. D16/230
D421,269 S * 2/2000 Murakami D16/231

D436,980 S * 1/2001 Takeuchi et al. D16/231
D481,056 S * 10/2003 Kawasaki et al. D16/235
D538,790 S * 3/2007 Okada et al. D14/218
D572,203 S * 7/2008 Ha et al. D13/162
7,766,484 B2 * 8/2010 Takeda et al. 353/119
D627,388 S * 11/2010 Takeda et al. D16/235
D639,330 S * 6/2011 Kawaguchi et al. D16/230
2007/0002290 A1 * 1/2007 Muraki et al. 353/119
2011/0181847 A1 * 7/2011 Yamamoto et al. 353/119

* cited by examiner

Primary Examiner — Wan Laymon

(74) *Attorney, Agent, or Firm* — Sughrue Mion, PLLC

(57) **CLAIM**

The ornamental design for a projector, as shown and described.

DESCRIPTION

FIG. 1 is a front, left side, top perspective view of a projector showing our new design;

FIG. 2 is an enlarged front elevational view thereof;

FIG. 3 is an enlarged rear elevational view thereof;

FIG. 4 is an enlarged left side view thereof;

FIG. 5 is an enlarged right side view thereof;

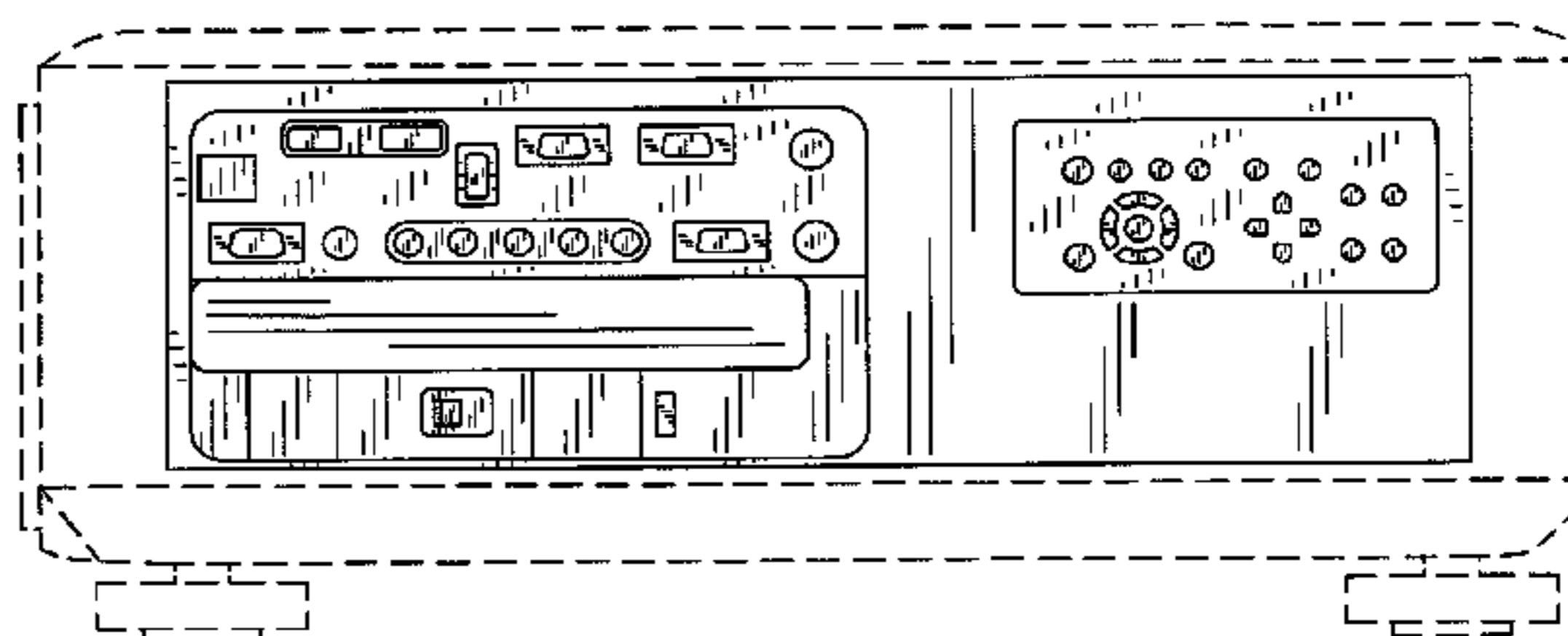
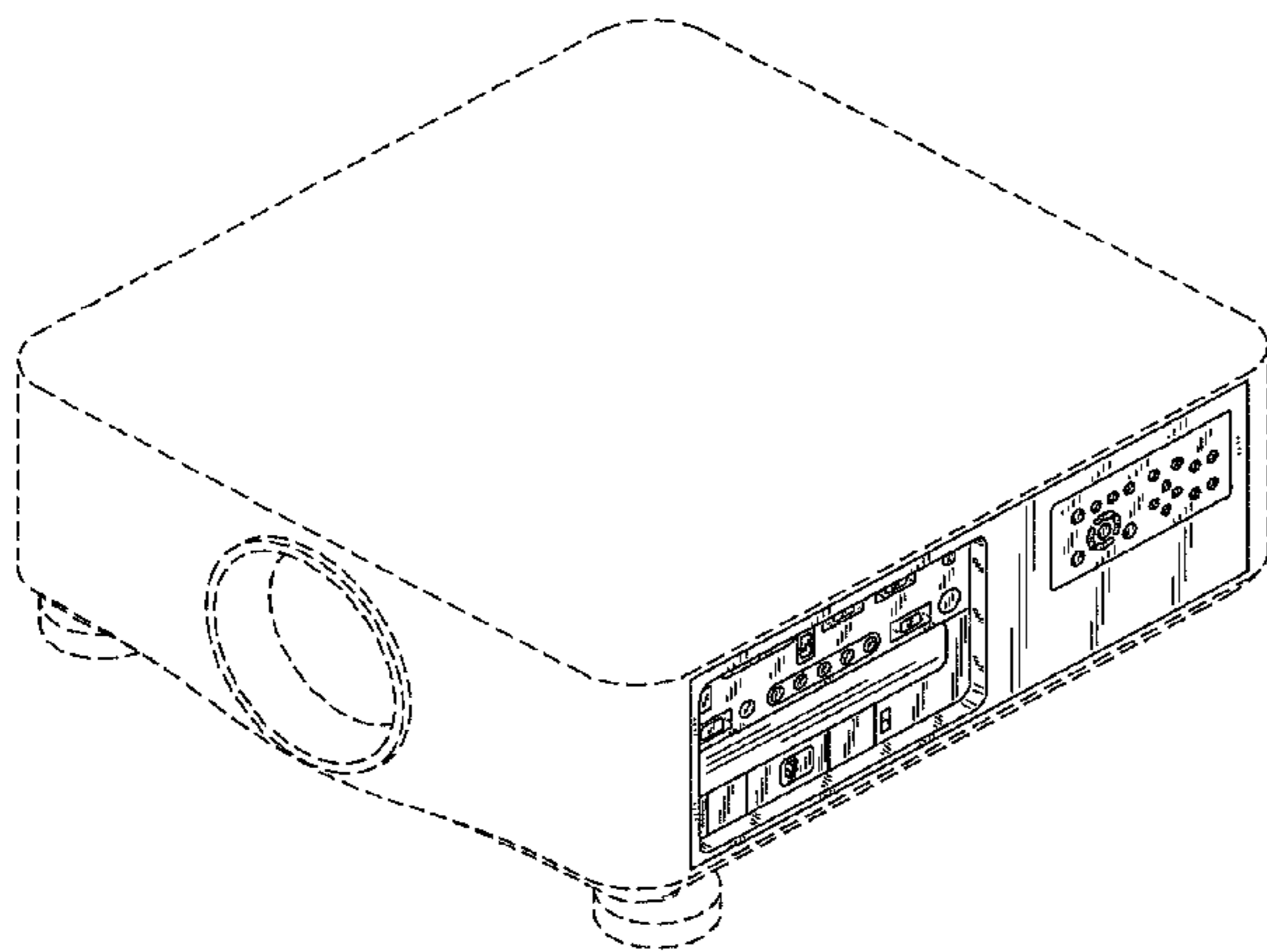
FIG. 6 is an enlarged top plan view thereof;

FIG. 7 is an enlarged bottom plan view thereof; and,

FIG. 8 is an enlarged cross-sectional view thereof, taken along line 8-8 and taken at line 8'-8' of FIG. 6.

The broken lines shown in the figures represent portions of the projector that form no part of the claimed design.

1 Claim, 6 Drawing Sheets



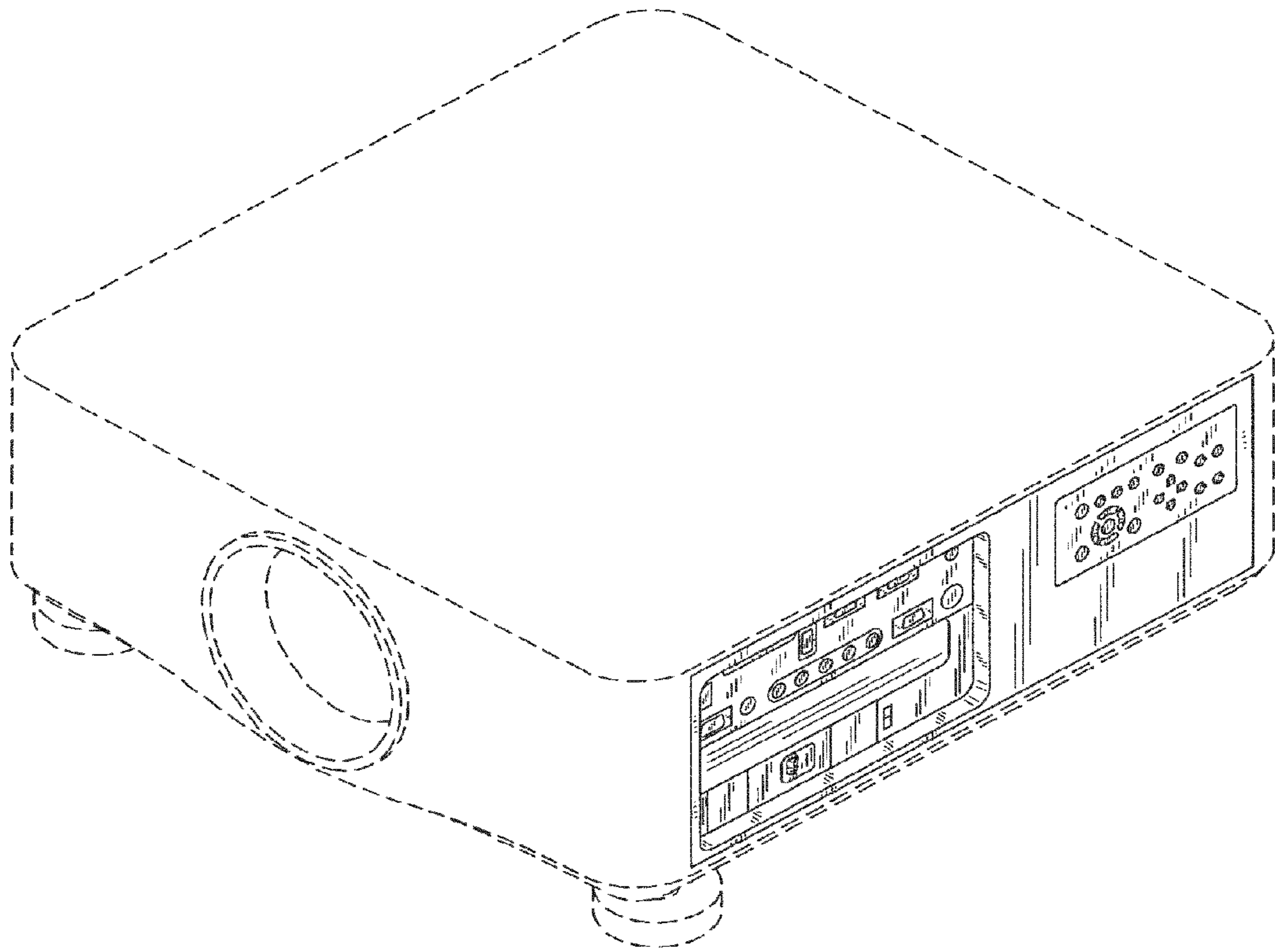


FIG. 1

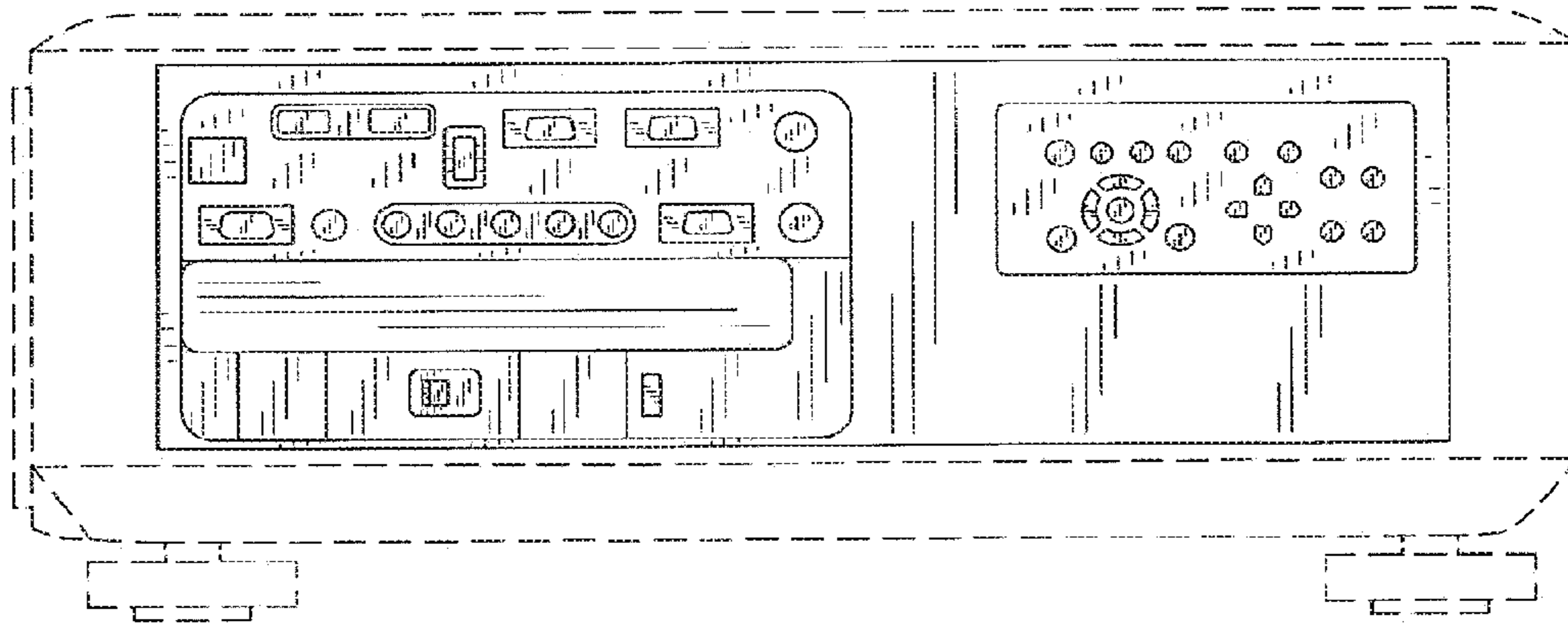


FIG. 2

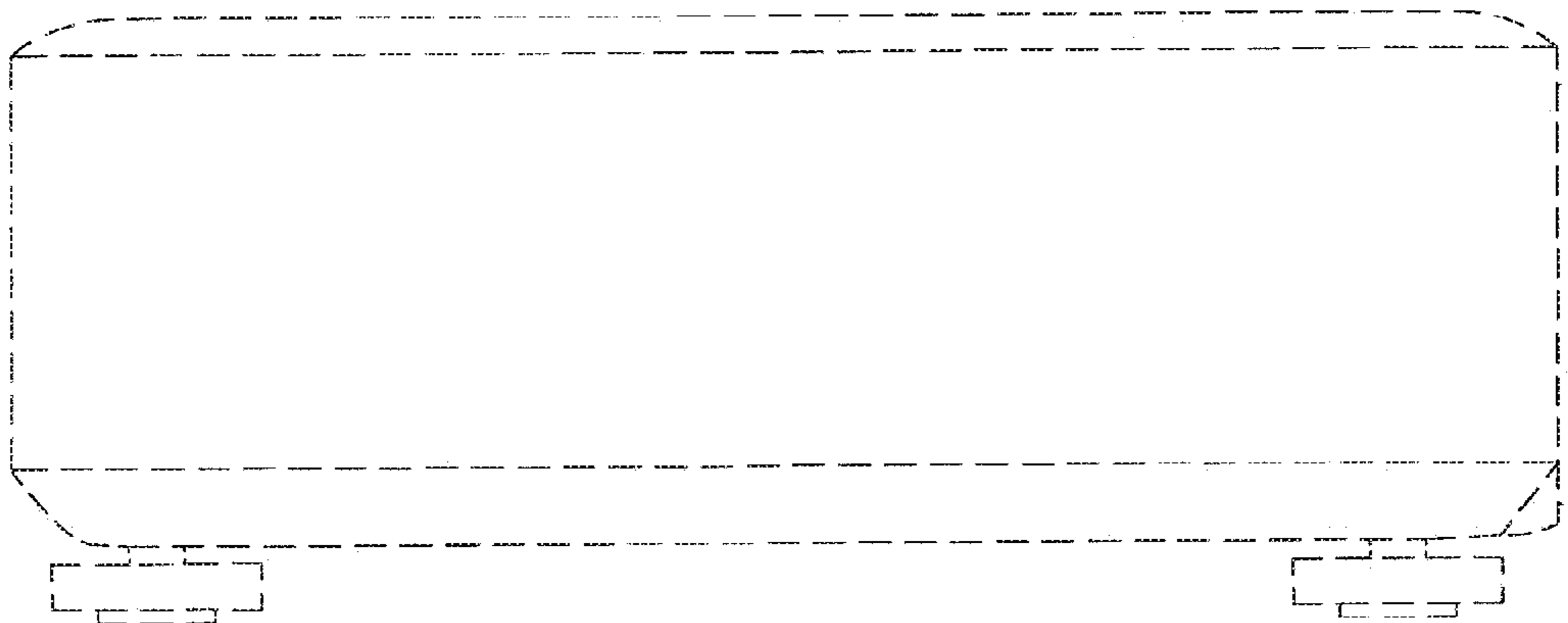


FIG. 3

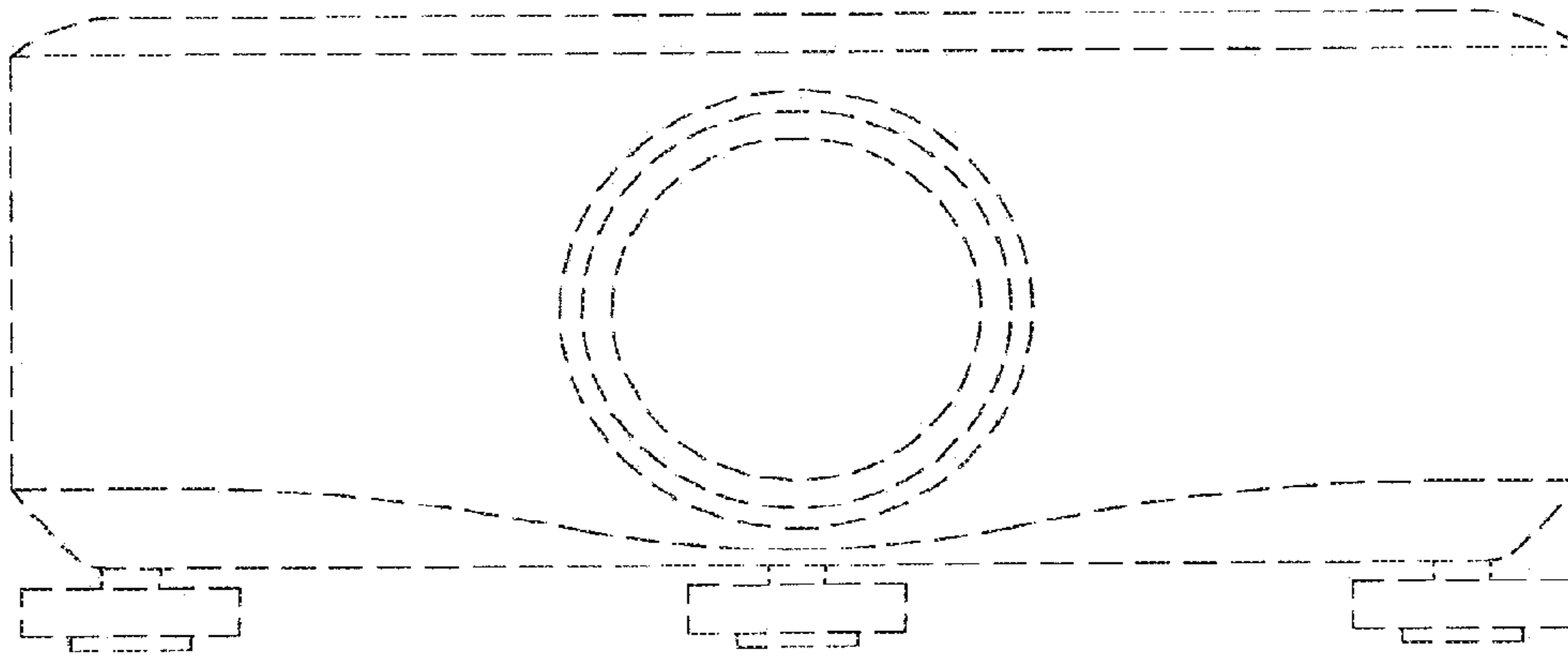


FIG. 4

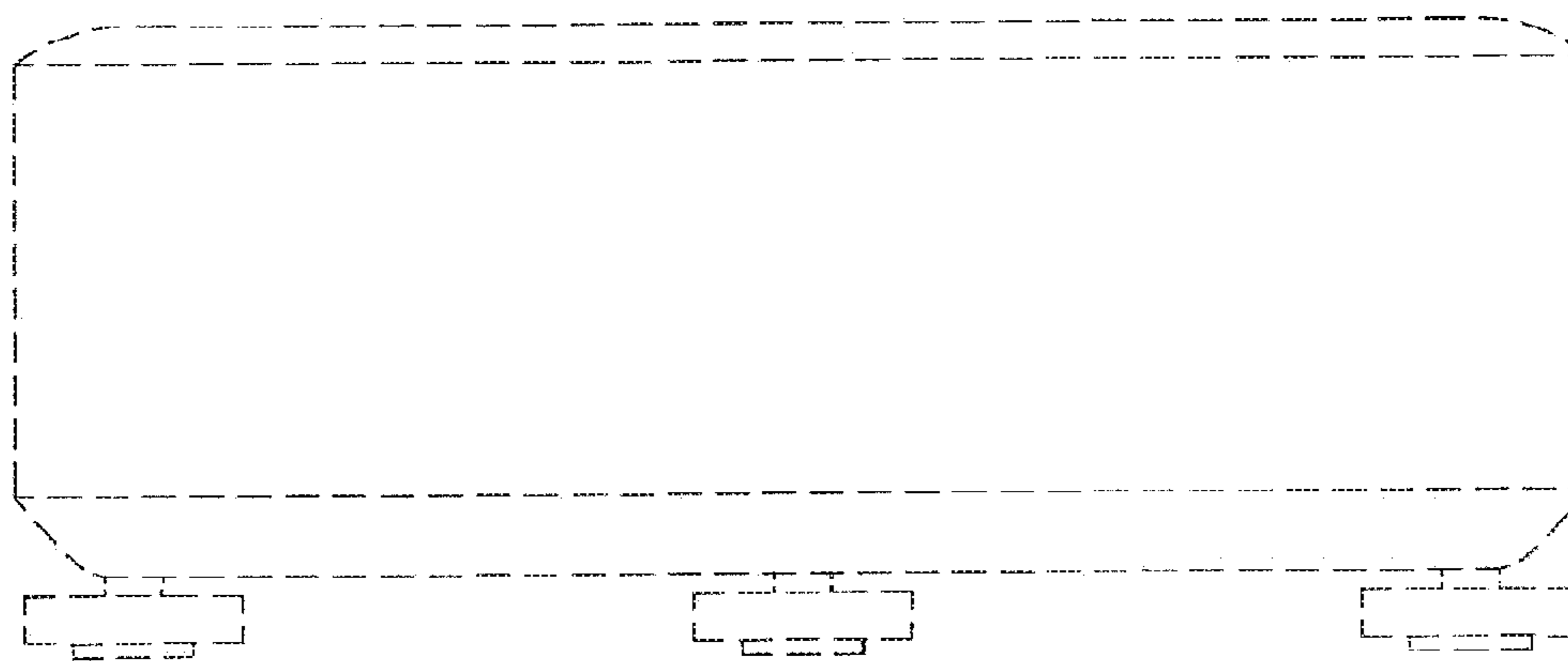


FIG. 5

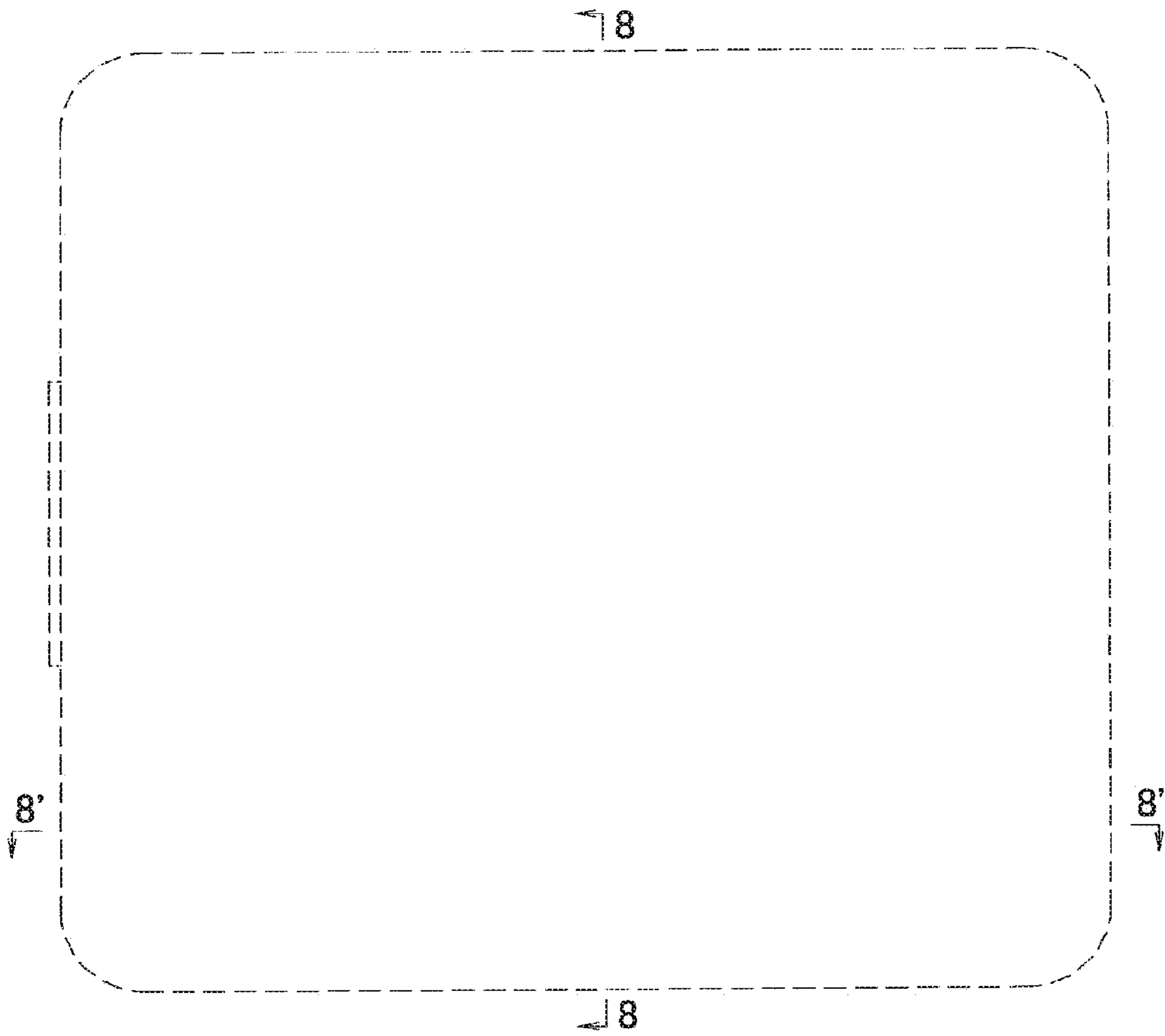


FIG. 6

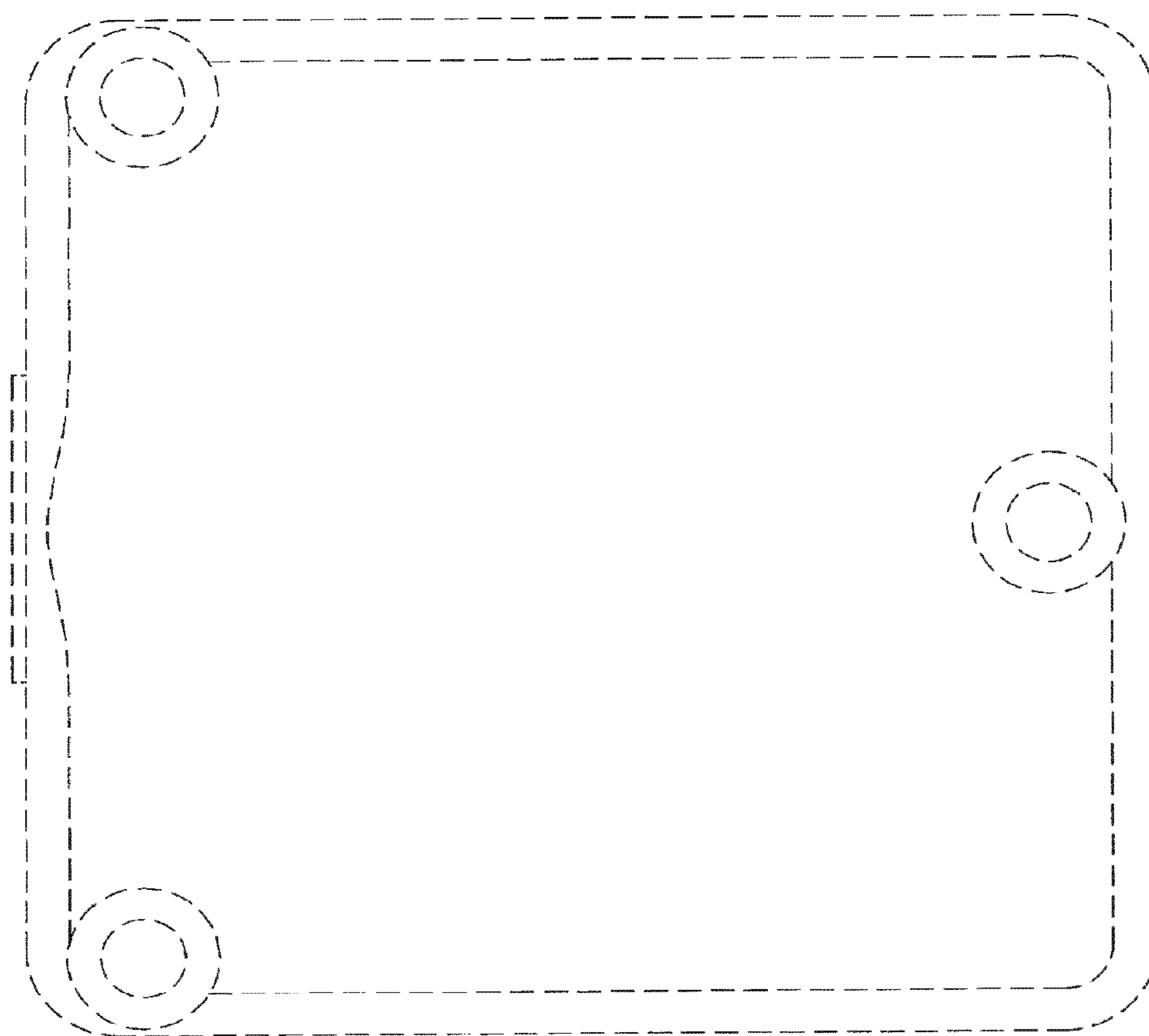


FIG. 7

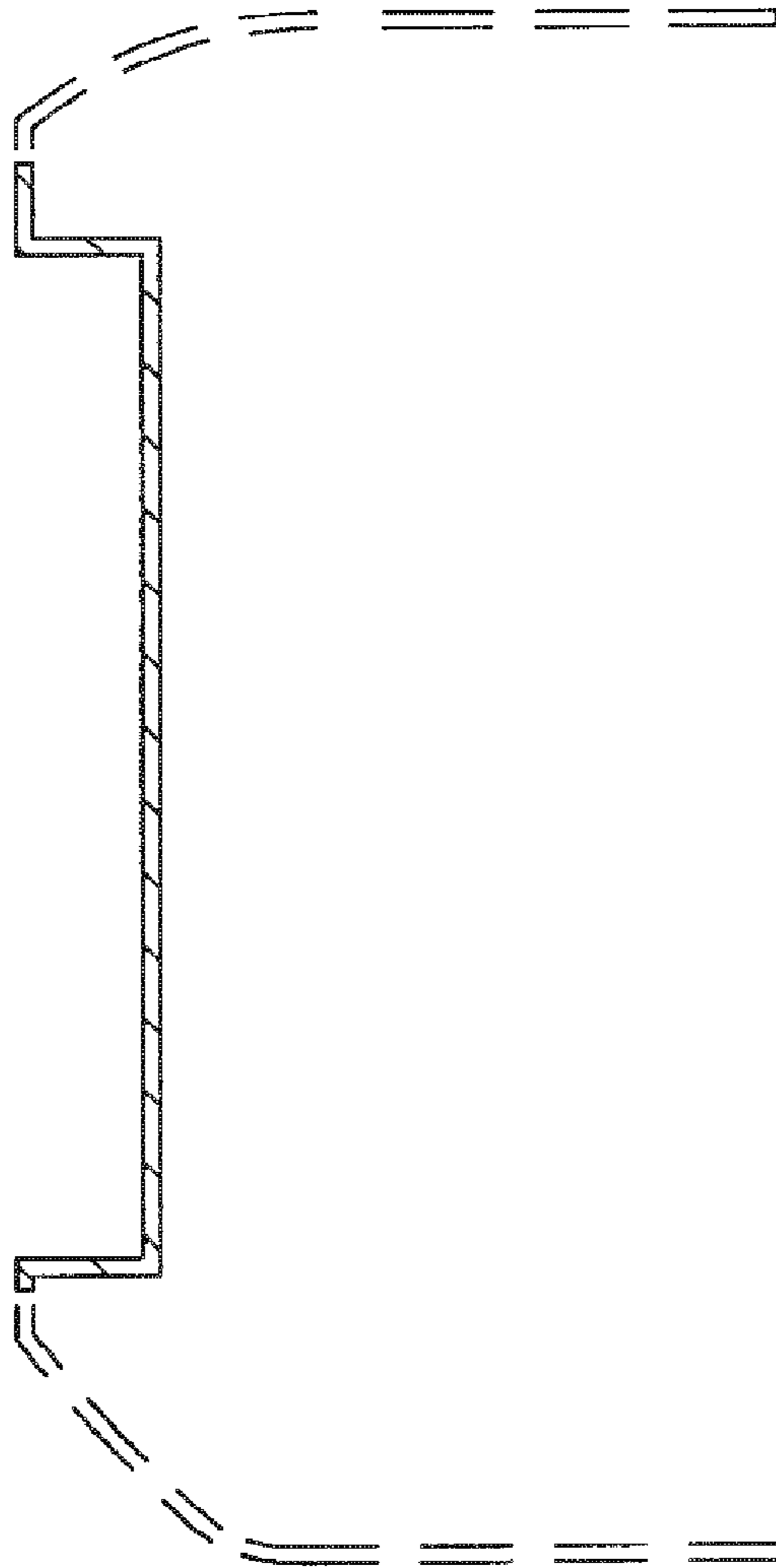


FIG. 8