



US00D653689S

(12) **United States Design Patent**
Inui et al.

(10) **Patent No.:** **US D653,689 S**
(45) **Date of Patent:** **** Feb. 7, 2012**

(54) **LAMP FOR PROJECTOR**

(75) Inventors: **Sinro Inui**, Hachioji (JP); **Nobuki Matsui**, Saitama (JP)

(73) Assignee: **Hitachi Consumer Electronics Co., Ltd.**, Tokyo (JP)

(**) Term: **14 Years**

(21) Appl. No.: **29/380,259**

(22) Filed: **Dec. 2, 2010**

(30) **Foreign Application Priority Data**

Jun. 4, 2010 (JP) 2010-013836

(51) **LOC (9) Cl.** **16-02**

(52) **U.S. Cl.** **D16/235**

(58) **Field of Classification Search** D16/221,
D16/225, 235; D26/1, 24, 28, 36; 352/198,
352/203; 353/87, 97-98, 119, 61; 362/227,
362/249.1, 249.01, 274, 241, 294, 234, 368,
362/430, 362

See application file for complete search history.

(56) **References Cited**

U.S. PATENT DOCUMENTS

6,461,025 B1 * 10/2002 Payne 362/362
7,104,654 B2 * 9/2006 Tamaru et al. 353/119
D558,252 S * 12/2007 Matsumiya et al. D16/221
D582,466 S * 12/2008 Nakano D16/235
D583,849 S * 12/2008 Uchida D16/235

7,503,662 B2 * 3/2009 Terashima et al. 353/119
D591,322 S * 4/2009 Nagumo D16/235
D605,684 S * 12/2009 Takizawa D16/235
7,677,778 B2 * 3/2010 Suzuki 362/362
D630,237 S 1/2011 Inui et al.
7,891,846 B2 * 2/2011 Noda 353/61
2006/0227304 A1 * 10/2006 Kang et al. 353/119
2009/0225282 A1 * 9/2009 Matsumiya et al. 362/362

* cited by examiner

Primary Examiner — Wan Laymon

(74) *Attorney, Agent, or Firm* — Antonelli, Terry, Stout & Kraus, LLP.

(57) **CLAIM**

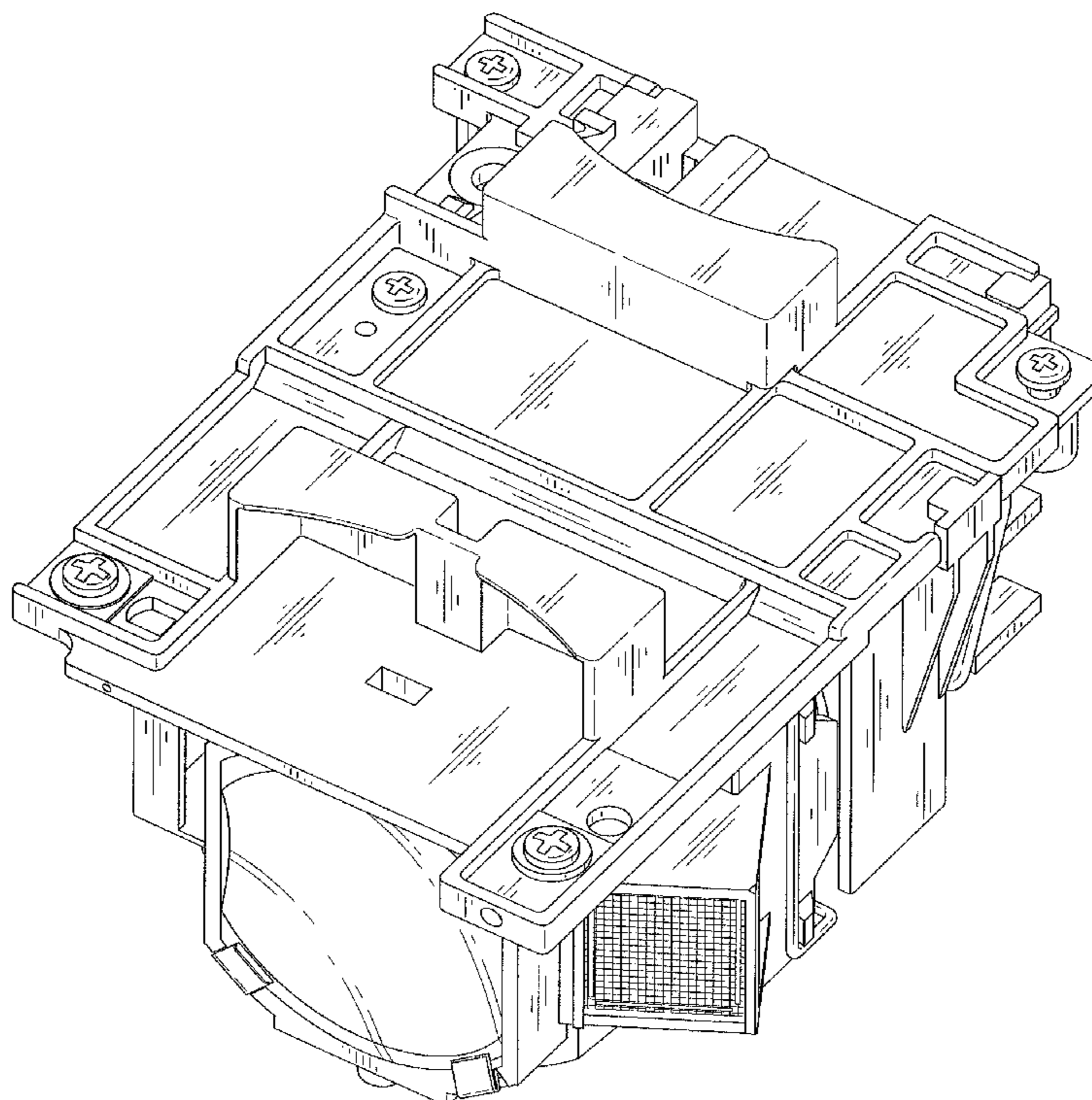
We claim the ornamental design for a lamp for projector, as shown and described.

DESCRIPTION

FIG. 1 is a front, top and right side perspective view of a lamp for projector showing our new design; FIG. 2 is a front elevational view thereof; FIG. 3 is a rear elevational view thereof; FIG. 4 is a top plan view thereof; FIG. 5 is a bottom plan view thereof; FIG. 6 is a left side elevational view thereof; and, FIG. 7 is a right side elevational view thereof.

The broken lines showing portions of a lamp for projector are included for the purpose of illustrating environmental structure and form no part of the claimed design.

1 Claim, 7 Drawing Sheets



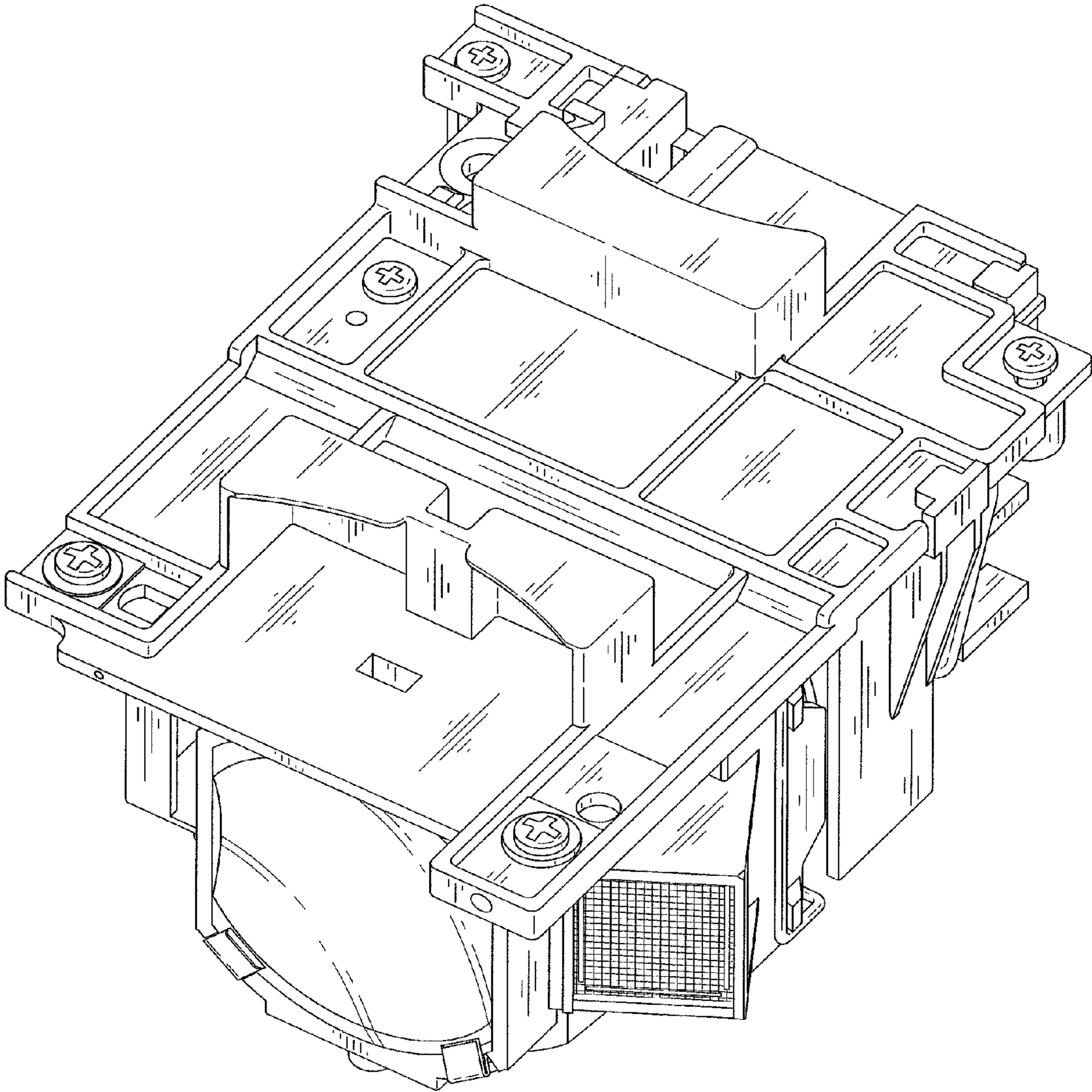


FIG. 1

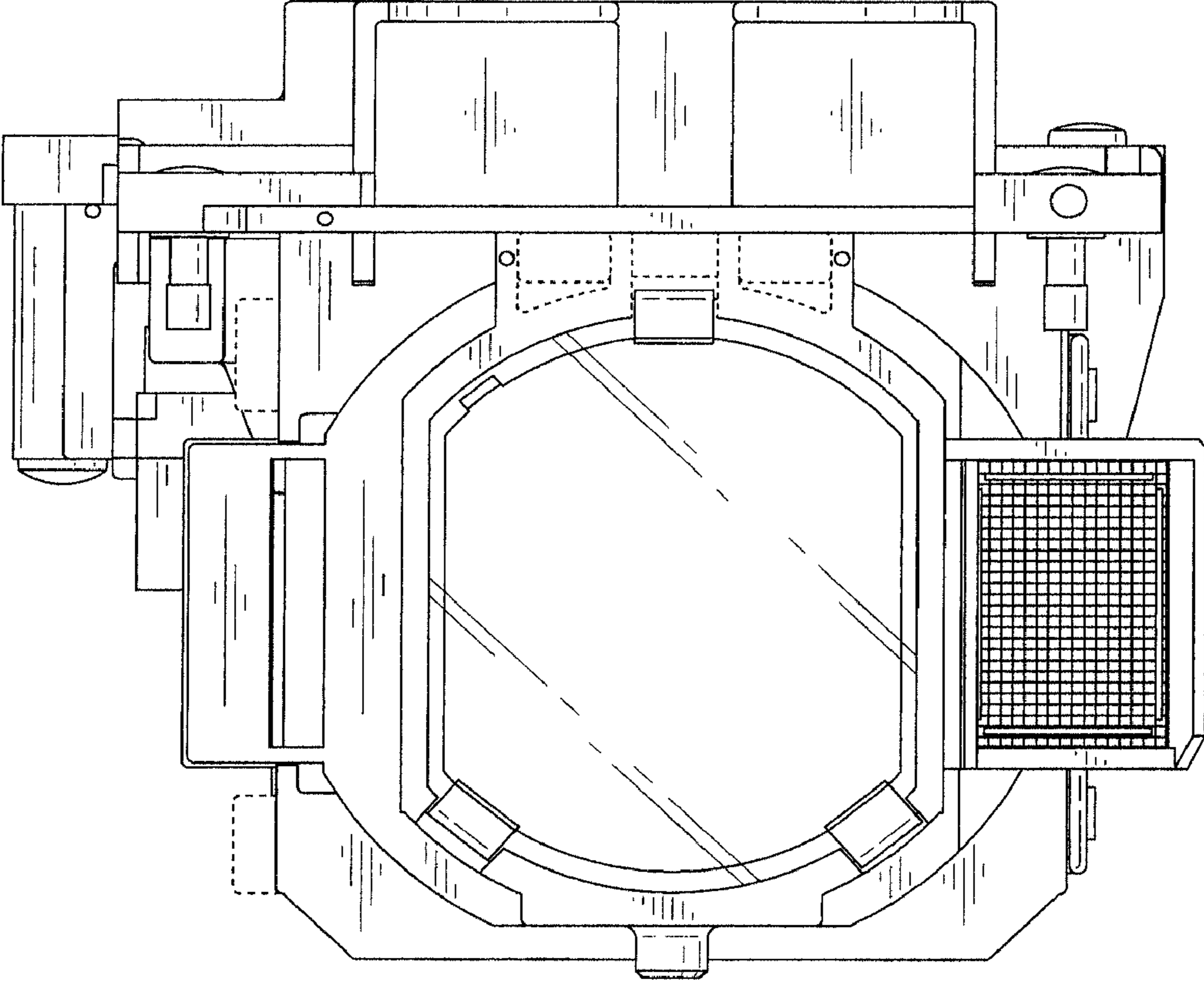


FIG. 2

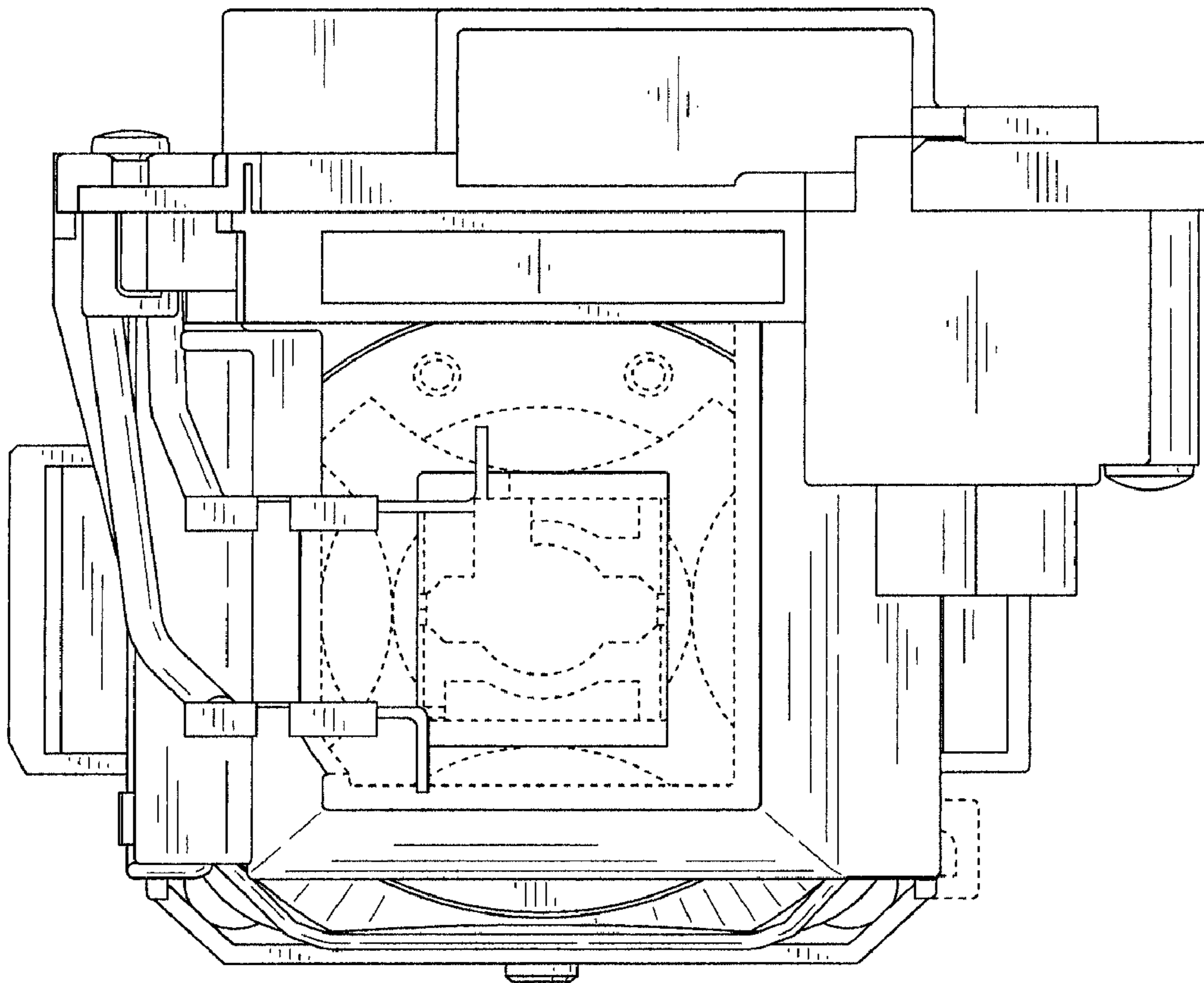


FIG. 3

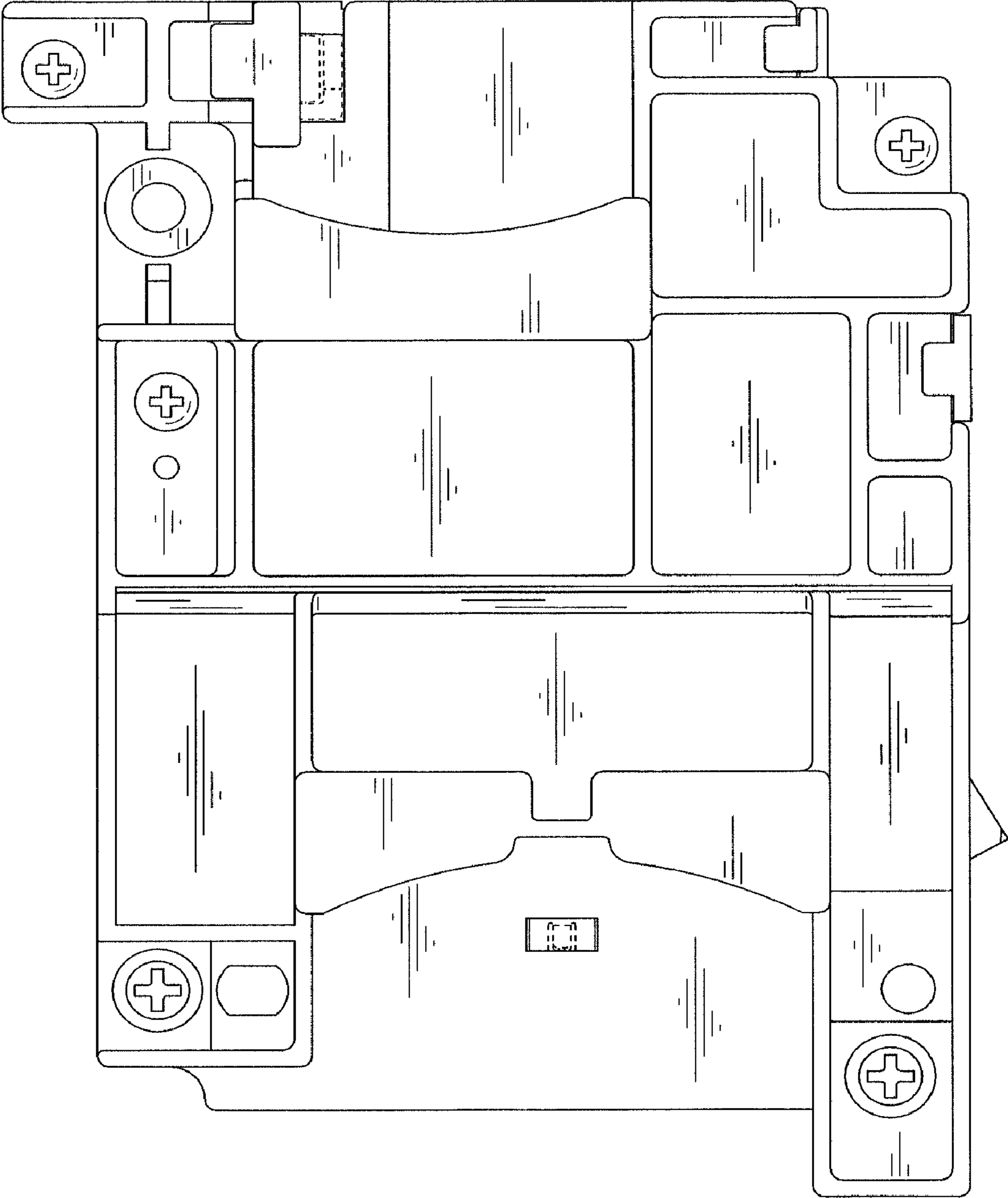


FIG. 4

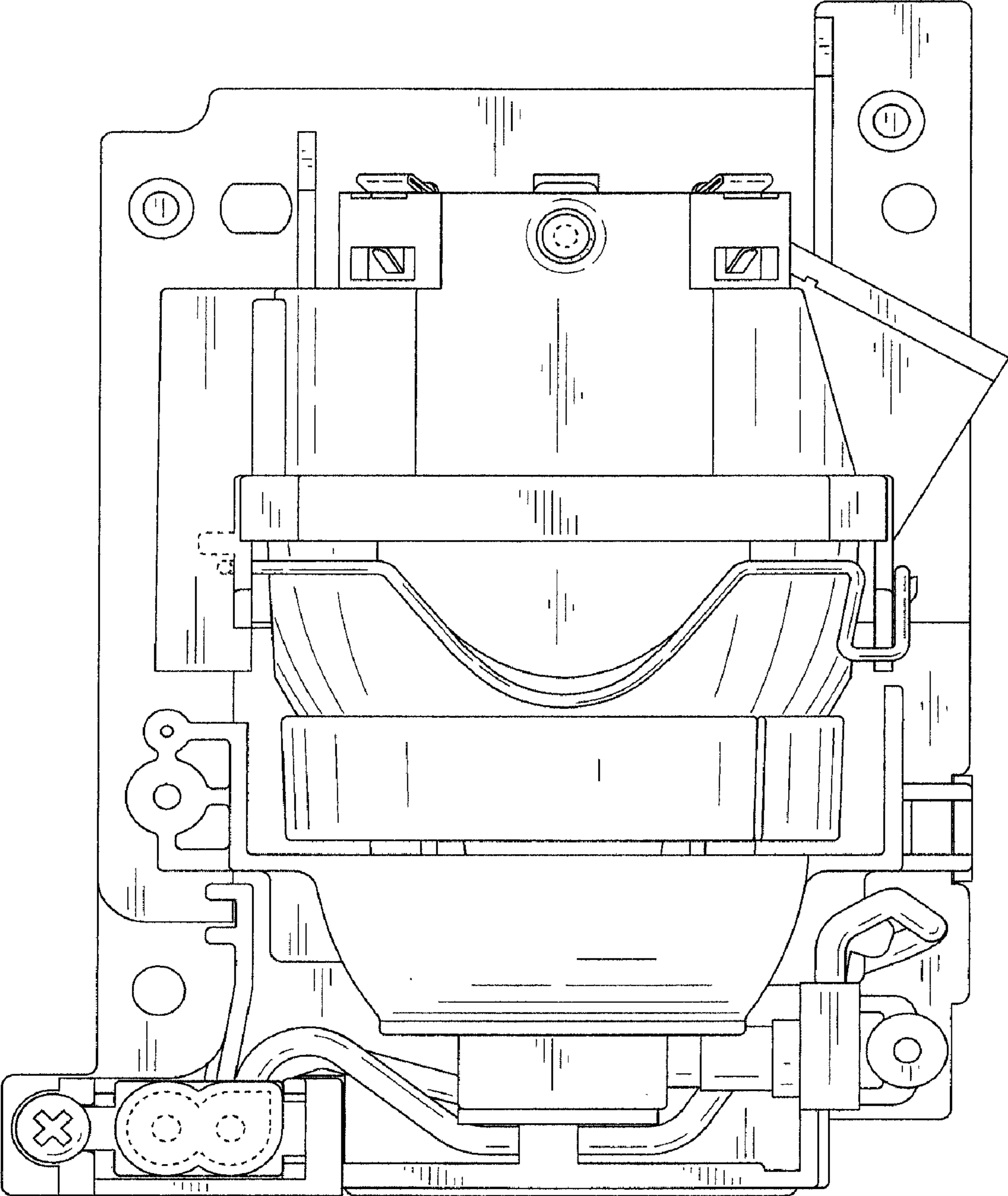


FIG. 5

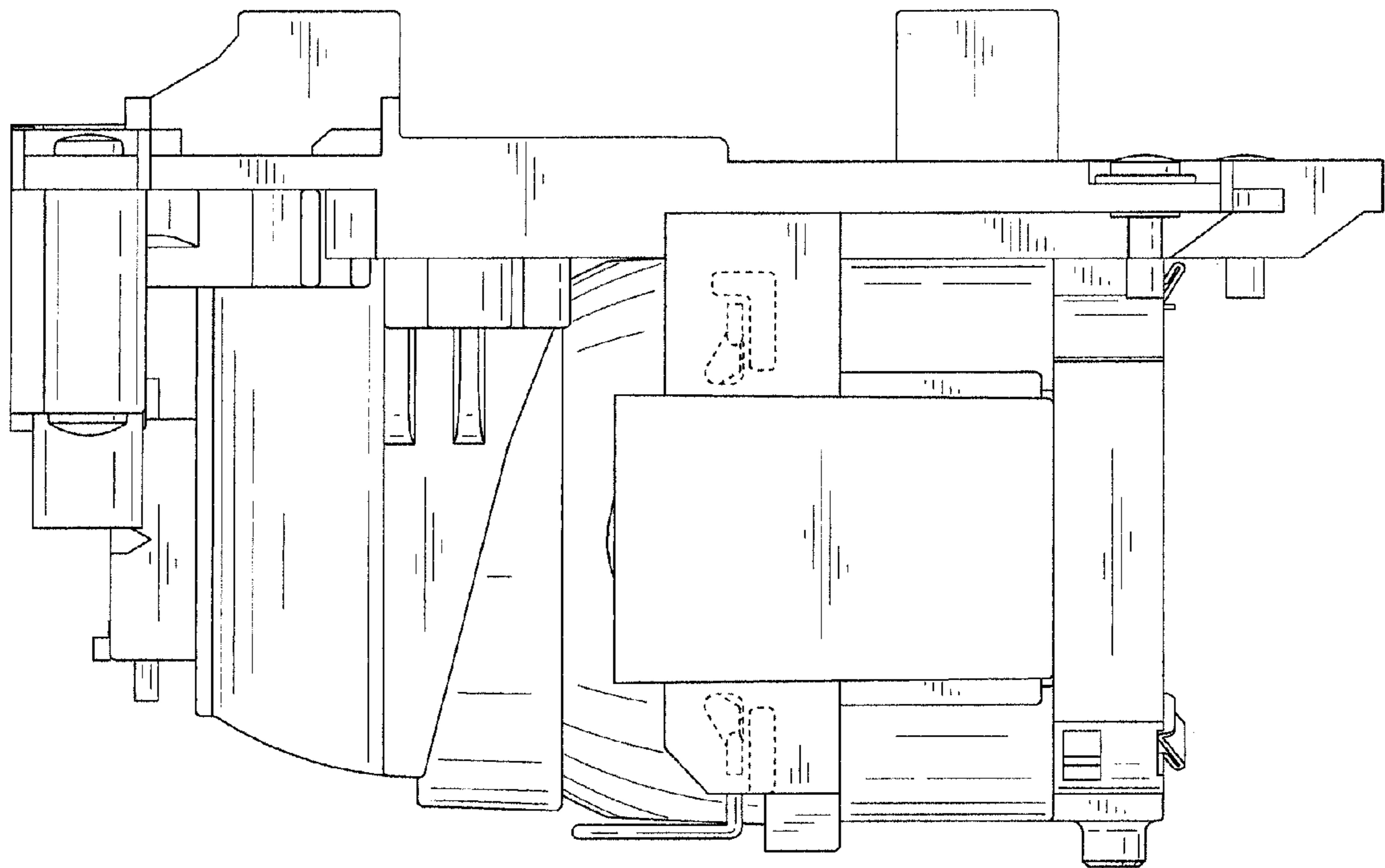


FIG. 6

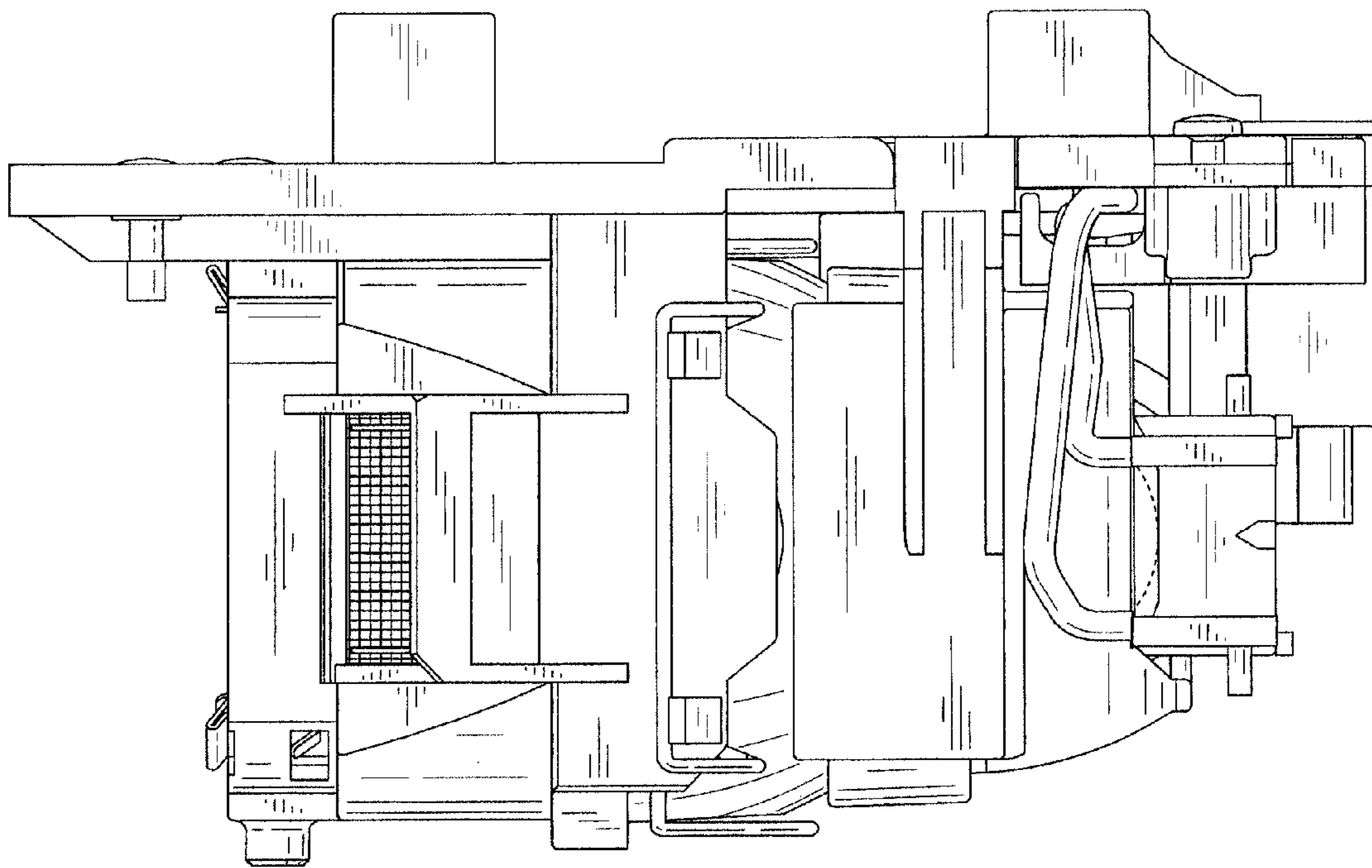


FIG. 7