



US00D653688S

(12) **United States Design Patent**  
**Morita et al.**

(10) **Patent No.:** **US D653,688 S**

(45) **Date of Patent:** **\*\* Feb. 7, 2012**

(54) **PROJECTOR**

(75) Inventors: **Akio Morita**, Tokyo (JP); **Takahisa Yamada**, Tokyo (JP); **Kazuya Inoue**, Tokyo (JP); **Yoshinao Segawa**, Tokyo (JP)

(73) Assignee: **NEC Display Solutions, Ltd.**, Tokyo (JP)

(\*\*) Term: **14 Years**

(21) Appl. No.: **29/379,841**

(22) Filed: **Nov. 24, 2010**

(30) **Foreign Application Priority Data**

May 28, 2010 (JP) ..... 2010-13217

(51) **LOC (9) Cl.** ..... **16-02**

(52) **U.S. Cl.** ..... **D16/235; D16/230**

(58) **Field of Classification Search** ..... D16/205, D16/208, 219, 221, 225, 230-231, 234-235; D21/514; 348/373-376; 353/115, 119, 122  
See application file for complete search history.

(56) **References Cited**

**U.S. PATENT DOCUMENTS**

D513,515 S \* 1/2006 Ooshima et al. .... D16/230  
D548,263 S \* 8/2007 Nakanishi ..... D16/230

D550,268 S \* 9/2007 Naruki ..... D16/230  
D555,697 S \* 11/2007 Kawabe et al. .... D16/230  
D565,631 S \* 4/2008 Morishita ..... D16/235  
D574,406 S \* 8/2008 Sakamaki et al. .... D16/230  
D589,074 S \* 3/2009 Lim et al. .... D16/230  
D590,865 S \* 4/2009 Nishimura et al. .... D16/230  
D605,683 S \* 12/2009 Inoue et al. .... D16/235

\* cited by examiner

*Primary Examiner* — Wan Laymon

(74) *Attorney, Agent, or Firm* — Sughrue Mion, PLLC

(57) **CLAIM**

The ornamental design for a projector, as shown and described.

**DESCRIPTION**

FIG. 1 is a front, right side, top perspective view of a projector showing our new design;

FIG. 2 is a front elevational view thereof;

FIG. 3 is a rear elevational view thereof;

FIG. 4 is a left side view thereof;

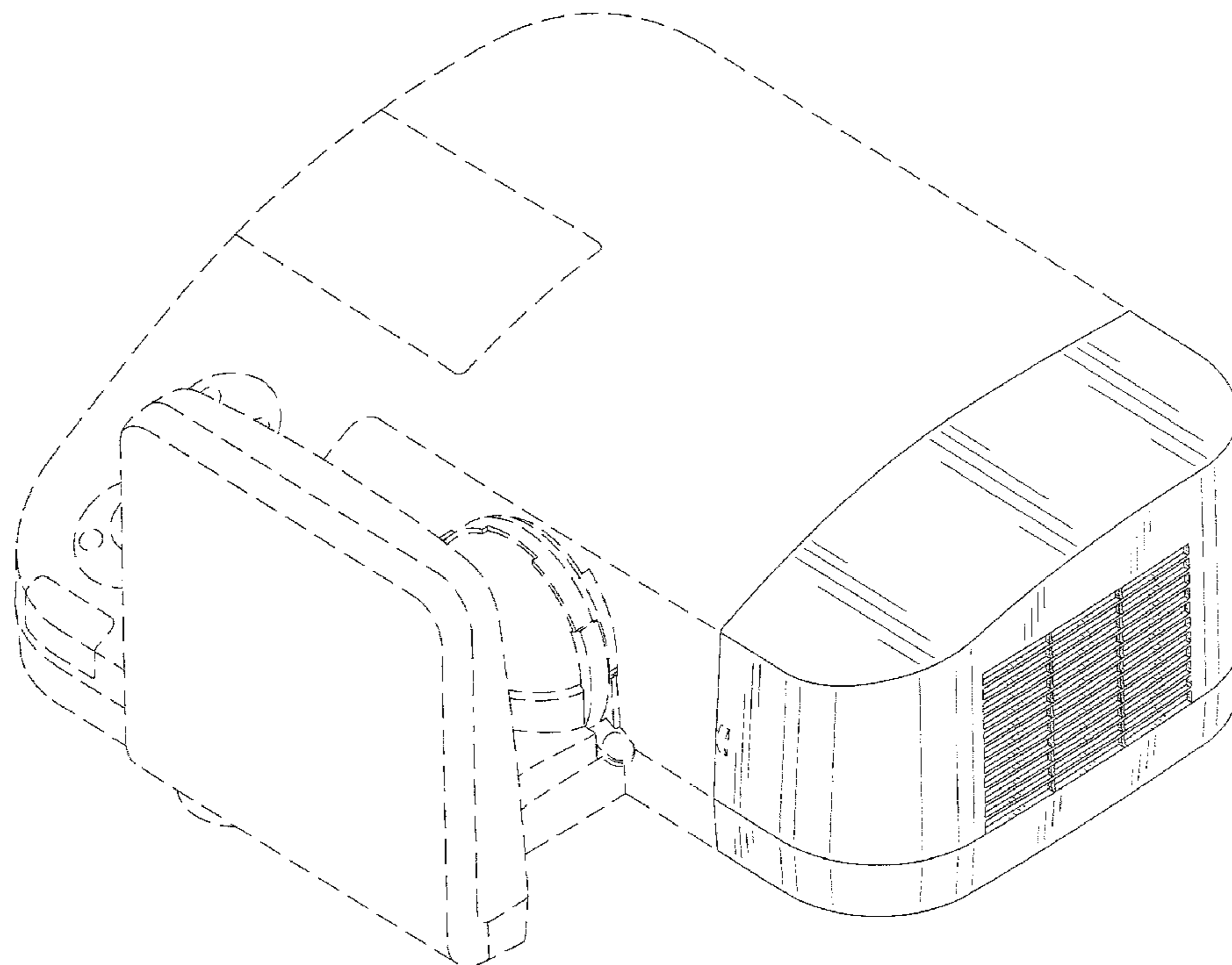
FIG. 5 is a right side view thereof;

FIG. 6 is a top plan view thereof; and,

FIG. 7 is a bottom plan view thereof.

The broken lines shown in the figures represent portions of the projector that form no part of the claimed design.

**1 Claim, 7 Drawing Sheets**



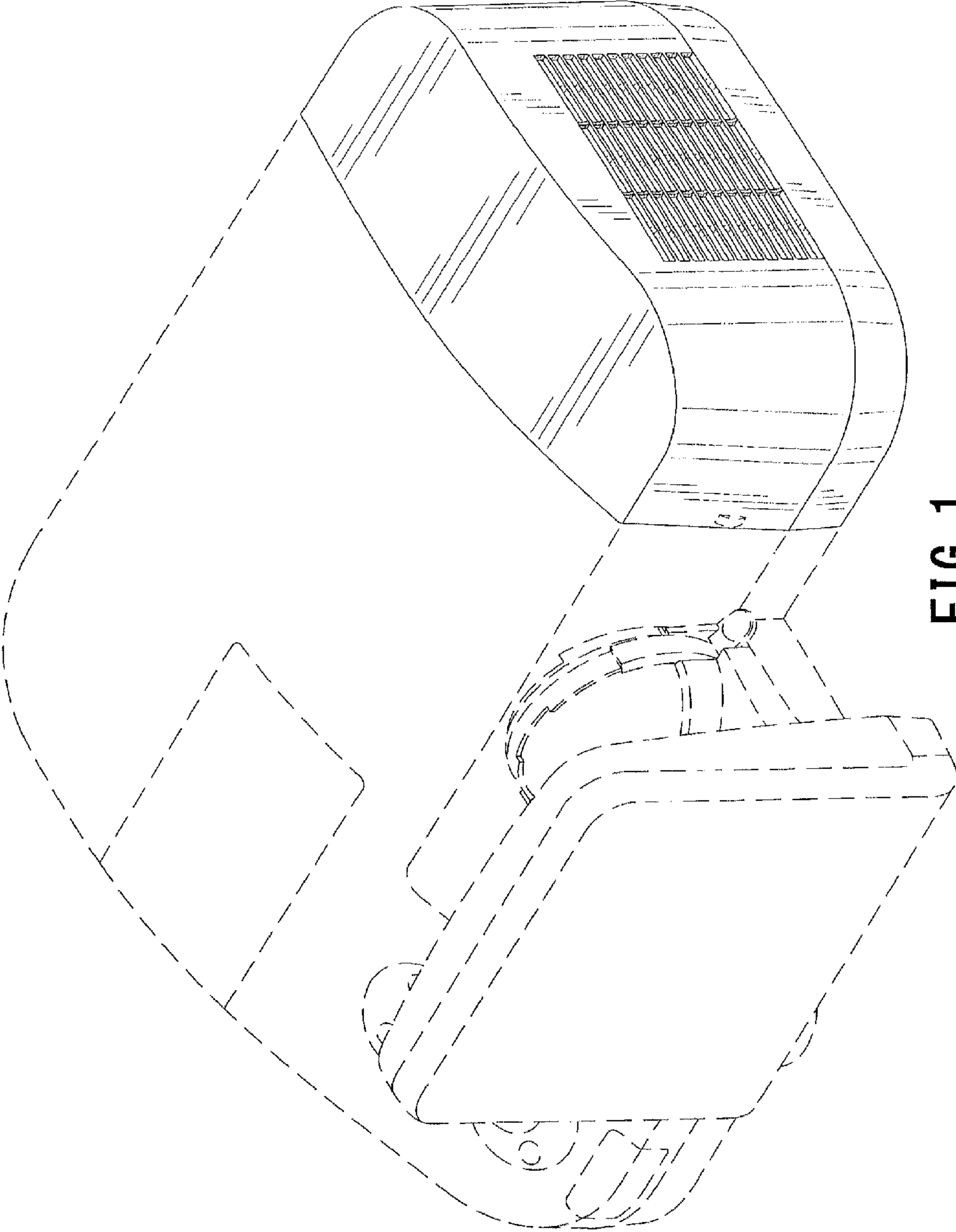


FIG. 1

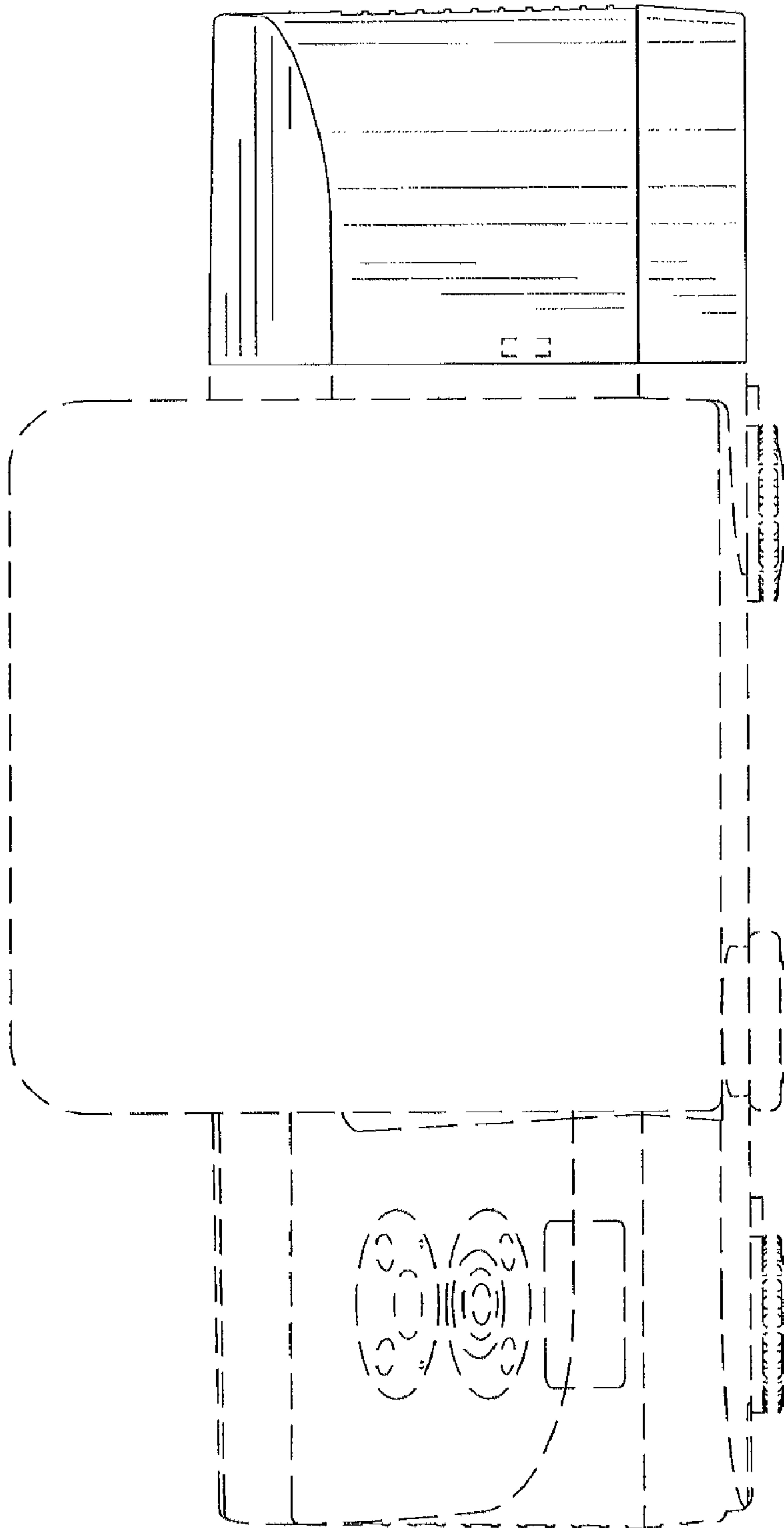


FIG. 2

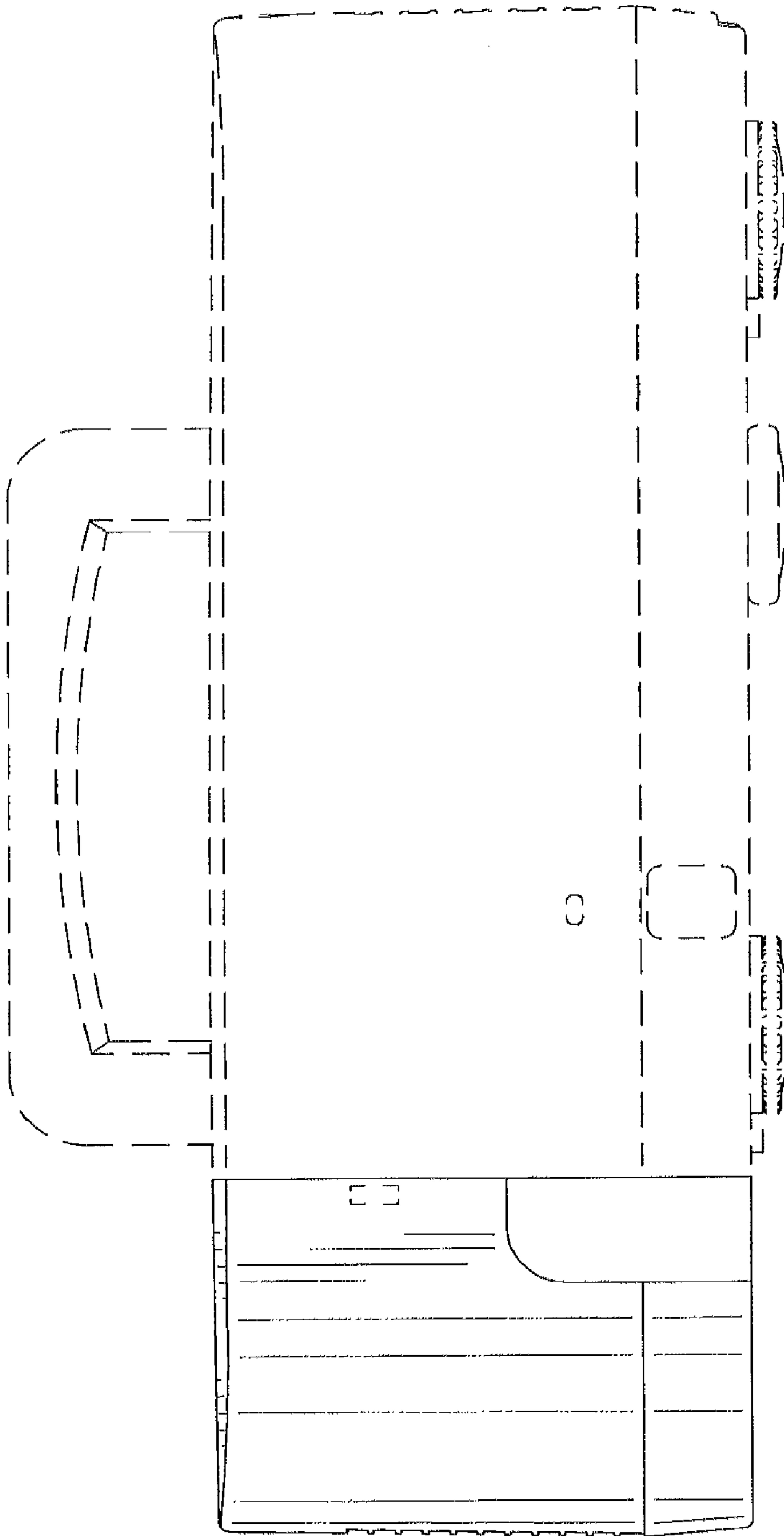


FIG. 3

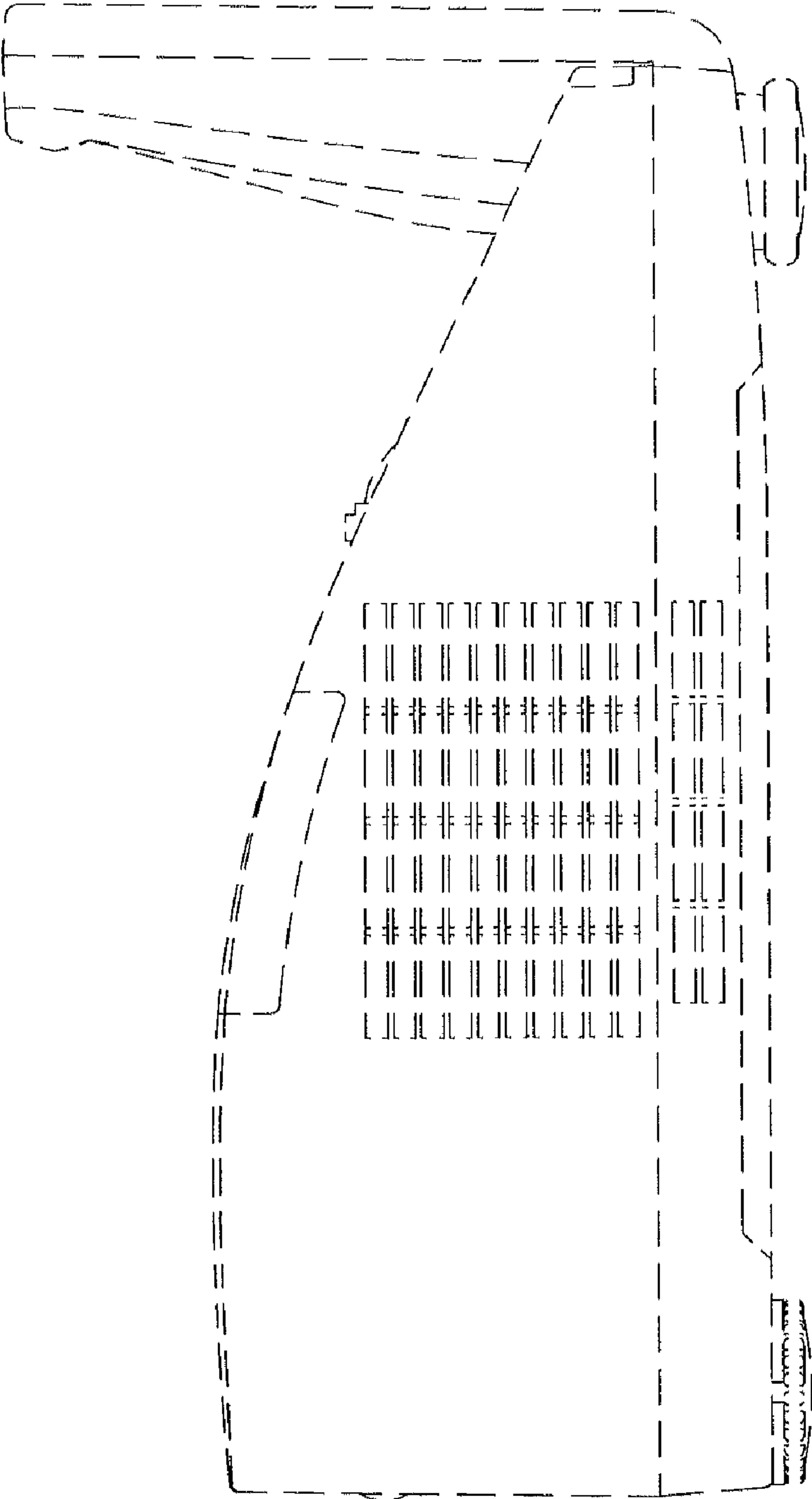


FIG. 4

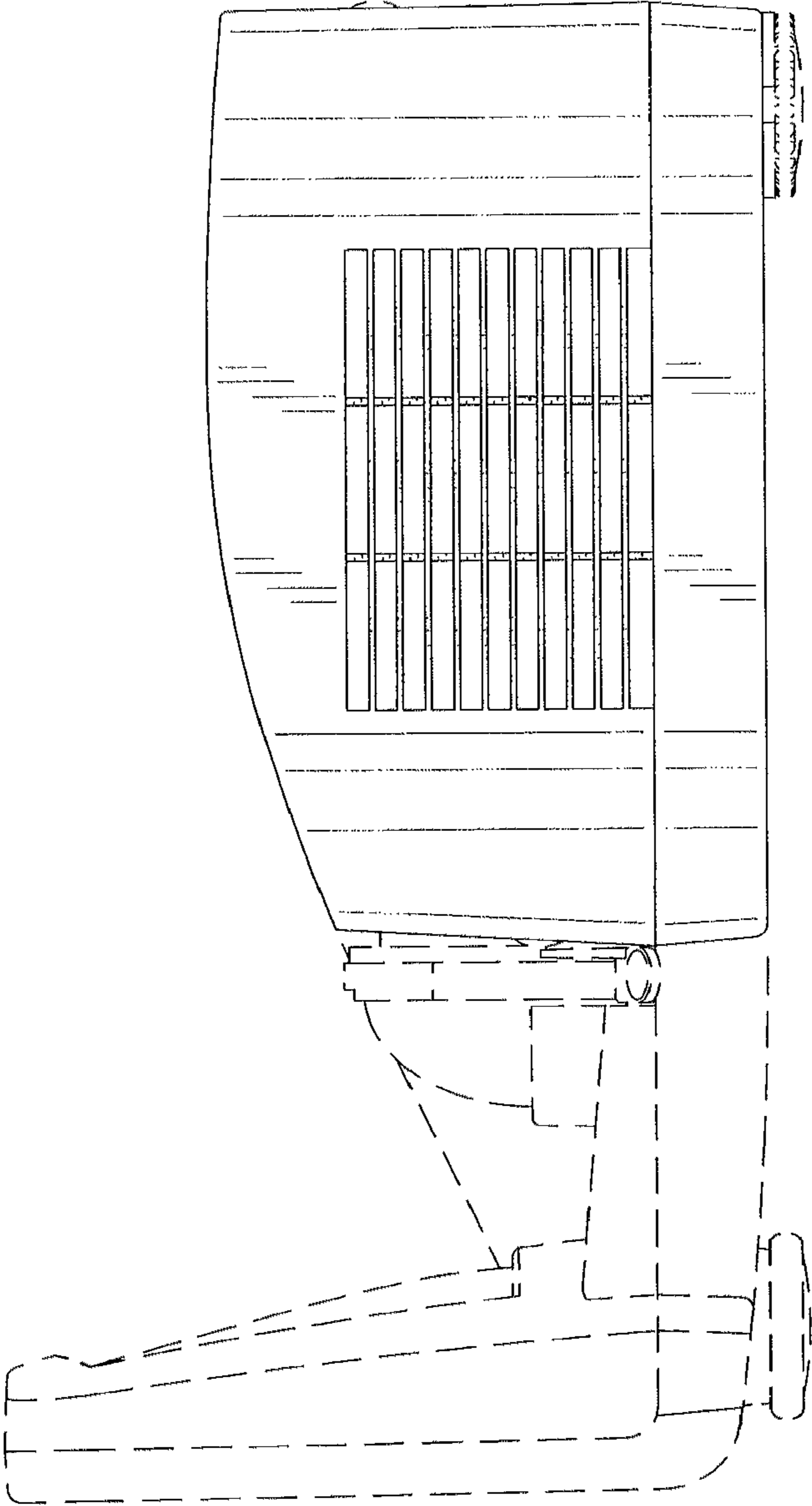


FIG. 5

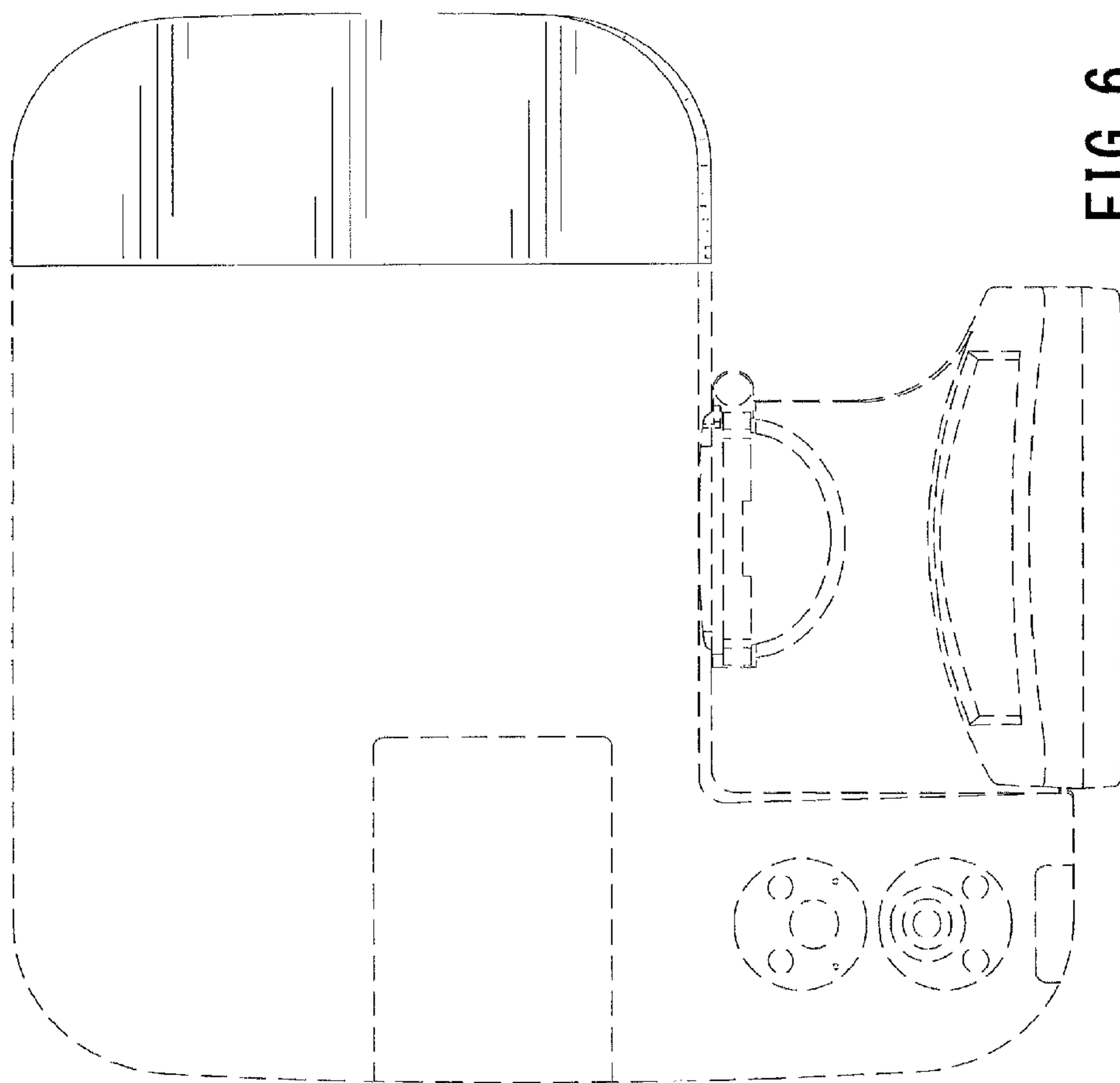


FIG. 6

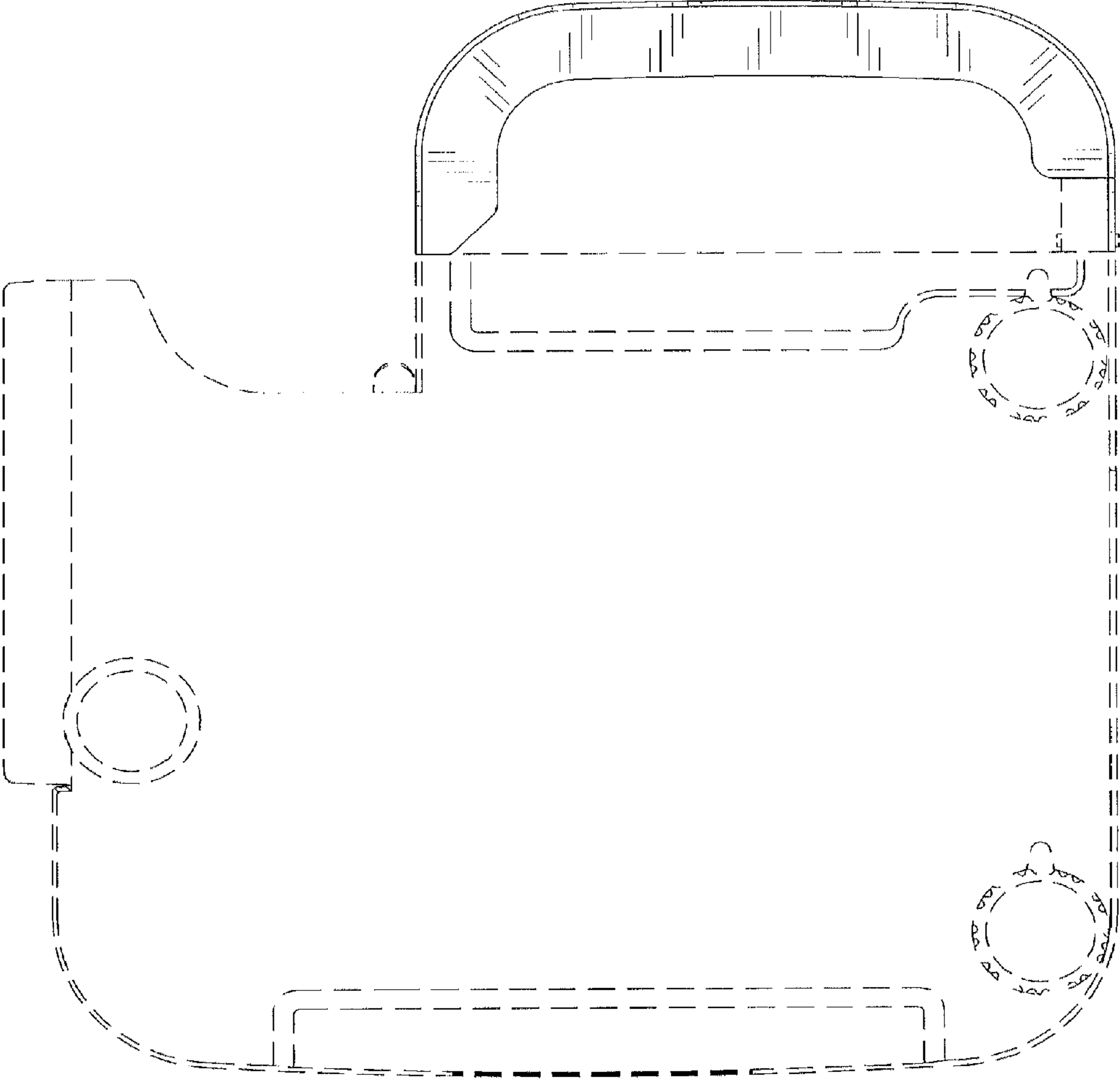


FIG. 7