



US00D653687S

(12) **United States Design Patent**  
**Yu**

(10) **Patent No.:** **US D653,687 S**

(45) **Date of Patent:** **\*\* Feb. 7, 2012**

(54) **CASE FOR SECURITY CAMERA**

(75) Inventor: **Jong In Yu**, Gyeonggi-Do (KR)

(73) Assignee: **Powertech Electronics**, Incheon (KR)

(\*\*) Term: **14 Years**

(21) Appl. No.: **29/359,002**

(22) Filed: **Apr. 2, 2010**

(51) **LOC (9) Cl.** ..... **16-01**

(52) **U.S. Cl.** ..... **D16/200; D16/203**

(58) **Field of Classification Search** ..... D10/106;  
D16/200, 202, 203, 204, 208, 218; 348/143,  
348/373, 375; 396/427, 535-541

See application file for complete search history.

(56) **References Cited**

U.S. PATENT DOCUMENTS

D412,924 S *	8/1999	Hiraguchi	.....	D16/203
D449,630 S *	10/2001	Rak et al.	.....	D16/203
6,678,001 B1 *	1/2004	Elberbaum	.....	348/373
D499,125 S *	11/2004	Adachi et al.	.....	D16/203
D513,028 S *	12/2005	Maruyama	.....	D16/203
D547,347 S *	7/2007	Kim	.....	D16/203
D558,248 S *	12/2007	Togawa et al.	.....	D16/203
D561,220 S *	2/2008	Alm et al.	.....	D16/203
D575,810 S *	8/2008	Alm	.....	D16/203
7,651,281 B2 *	1/2010	Wen	.....	396/427

\* cited by examiner

*Primary Examiner* — Adir Aronovich

(74) *Attorney, Agent, or Firm* — Edwards Wildman Palmer LLP

(57) **CLAIM**

The ornamental design for a case for security camera, as shown and described.

**DESCRIPTION**

FIG. 1 is a perspective view of a case for security camera according to the present invention.

FIG. 2 is a front elevational view of the case for security camera of FIG. 1.

FIG. 3 is a rear elevational view of the case for security camera of FIG. 1.

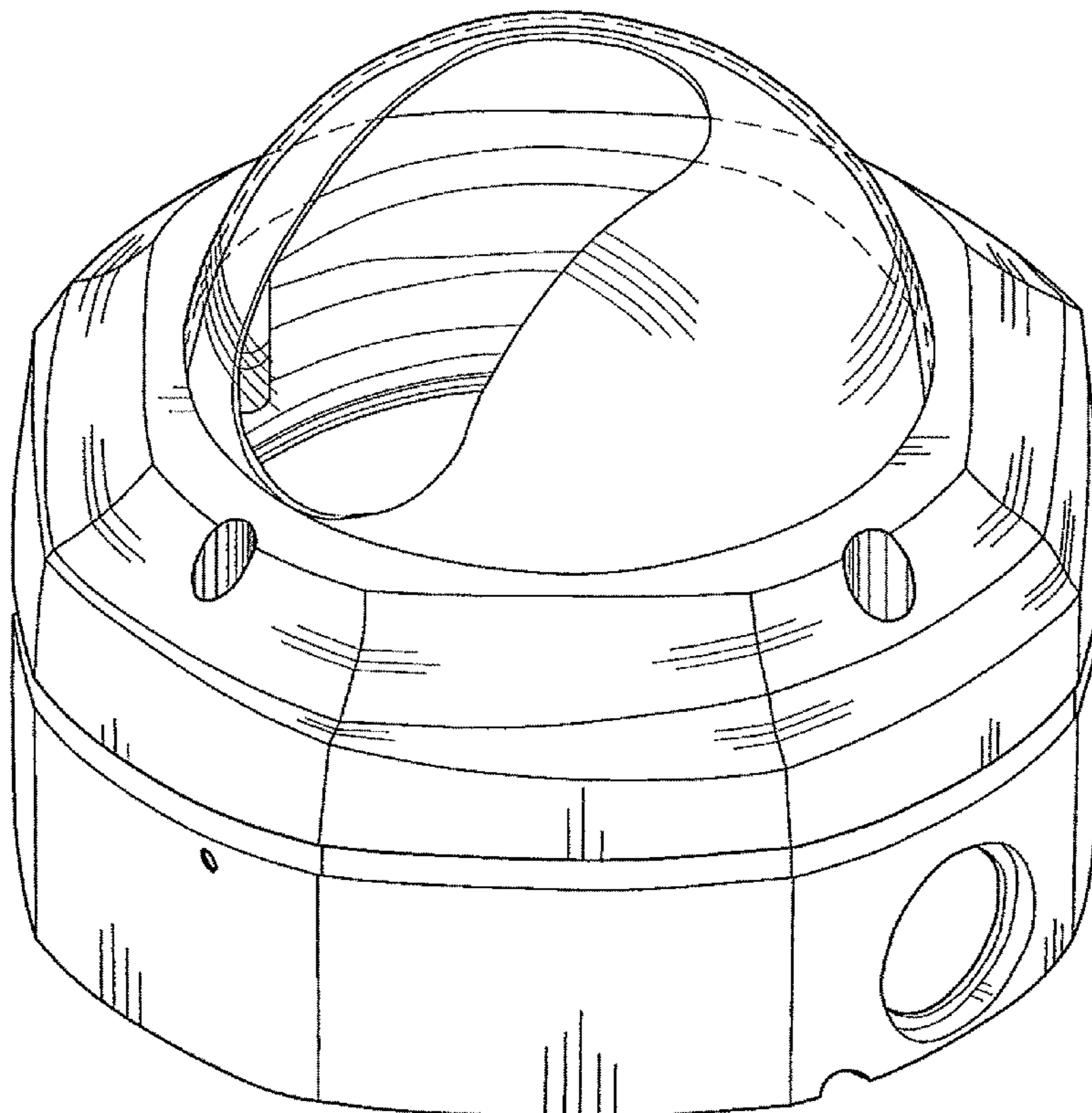
FIG. 4 is a left side elevational view of the case for security camera of FIG. 1.

FIG. 5 is a right side elevational view of the case for security camera of FIG. 1.

FIG. 6 is a top plan view of the case for security camera of FIG. 1; and,

FIG. 7 is a bottom plan view of the case for security camera of FIG. 1.

**1 Claim, 7 Drawing Sheets**



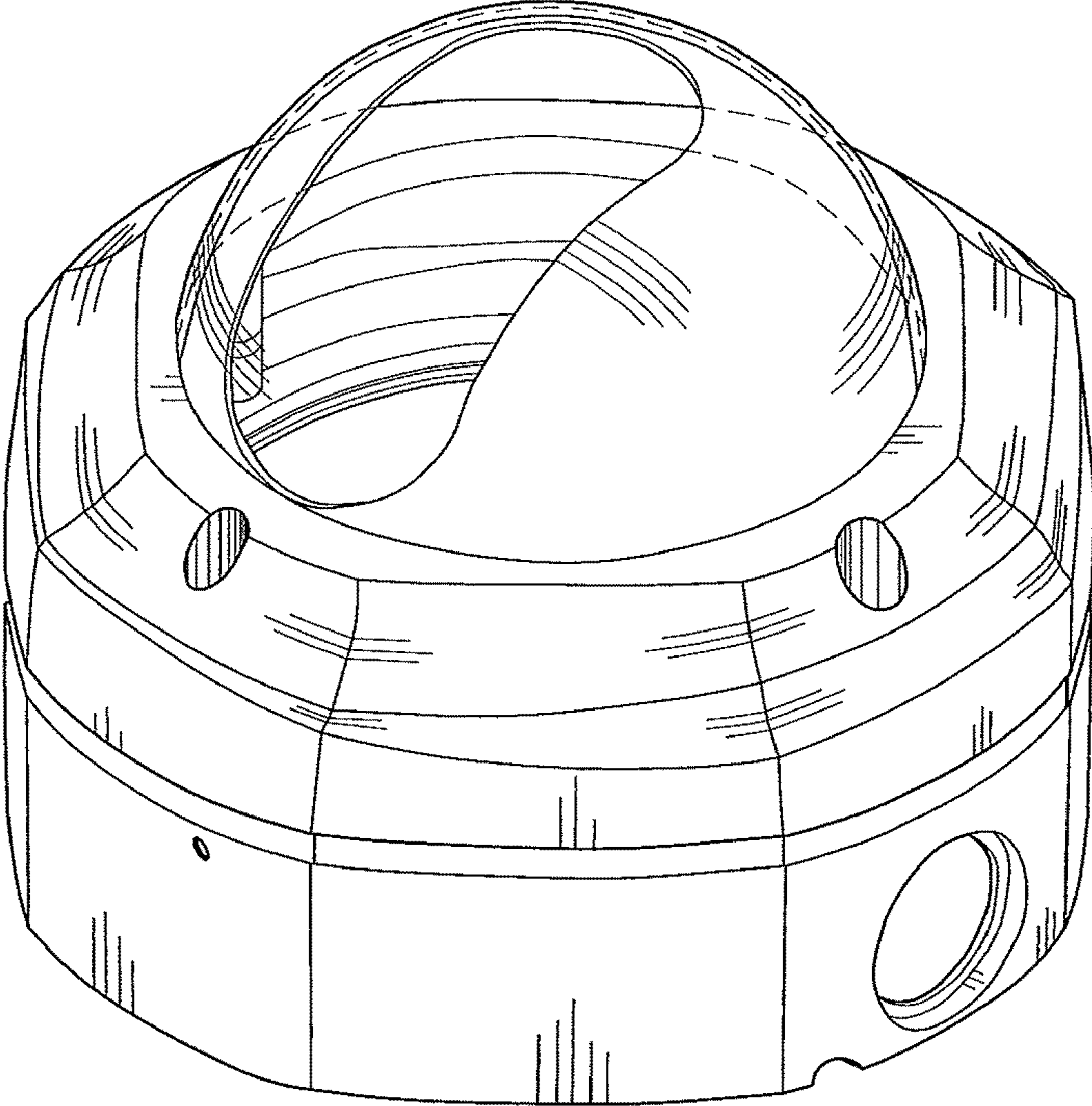


FIG. 1

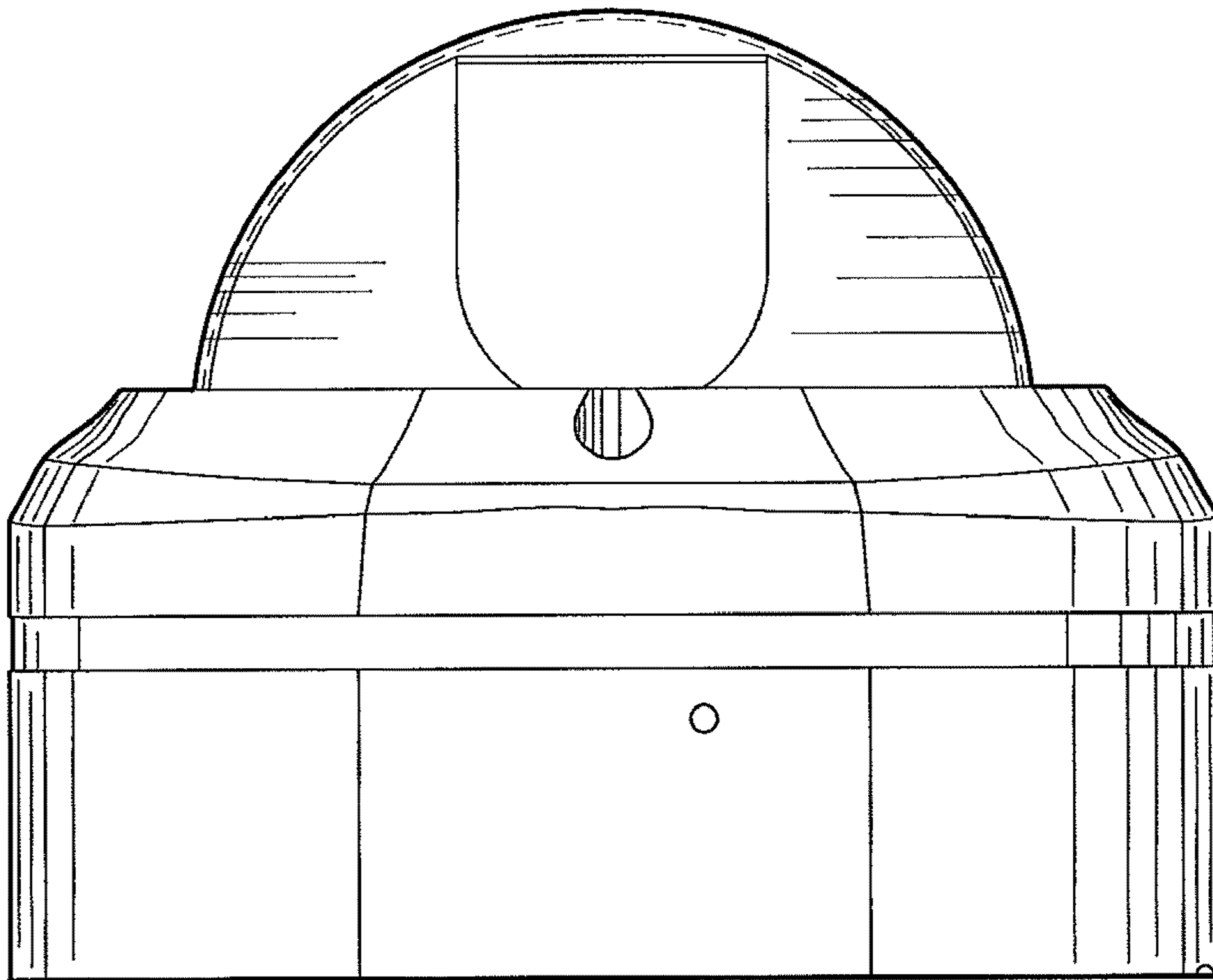


FIG. 2

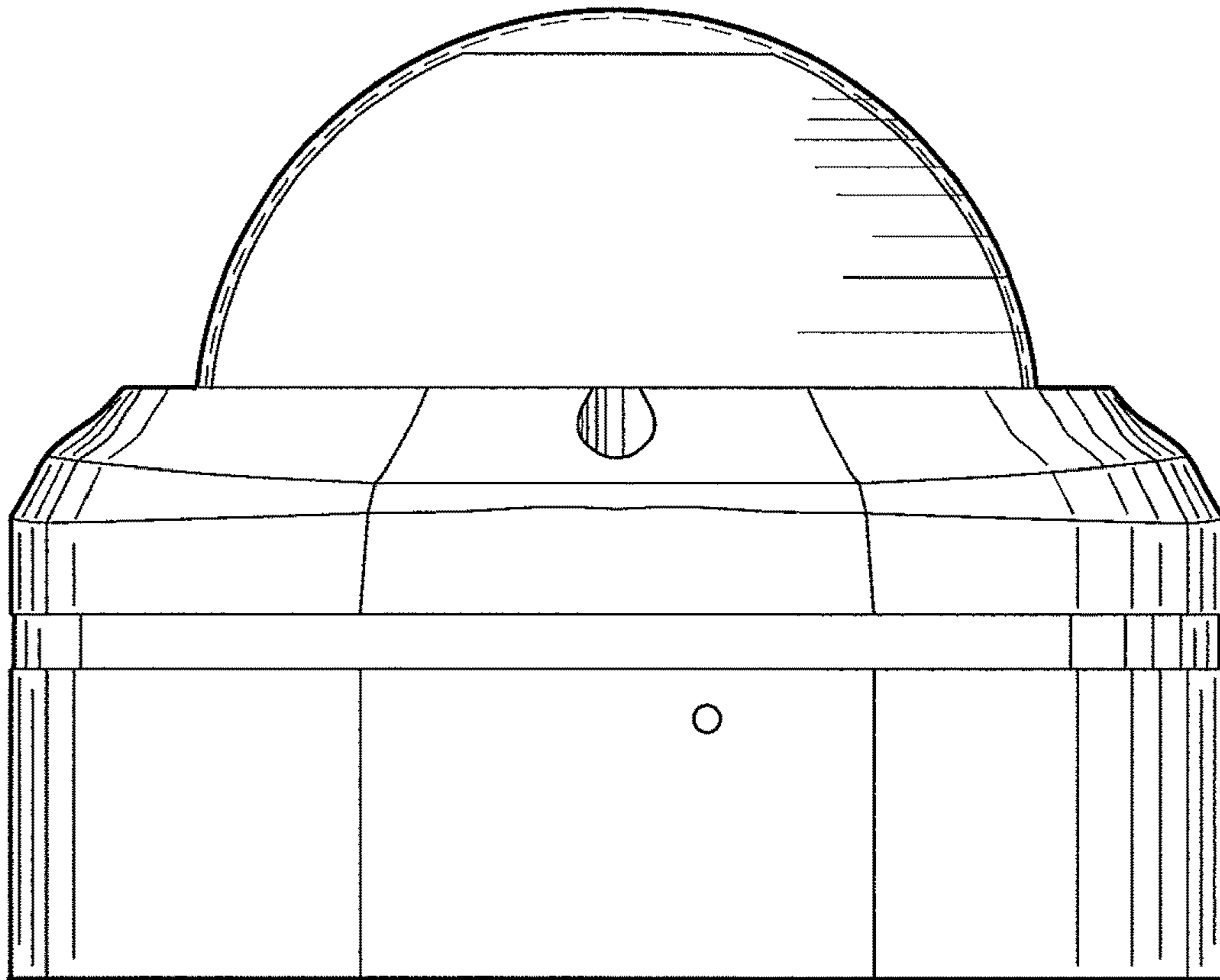


FIG. 3

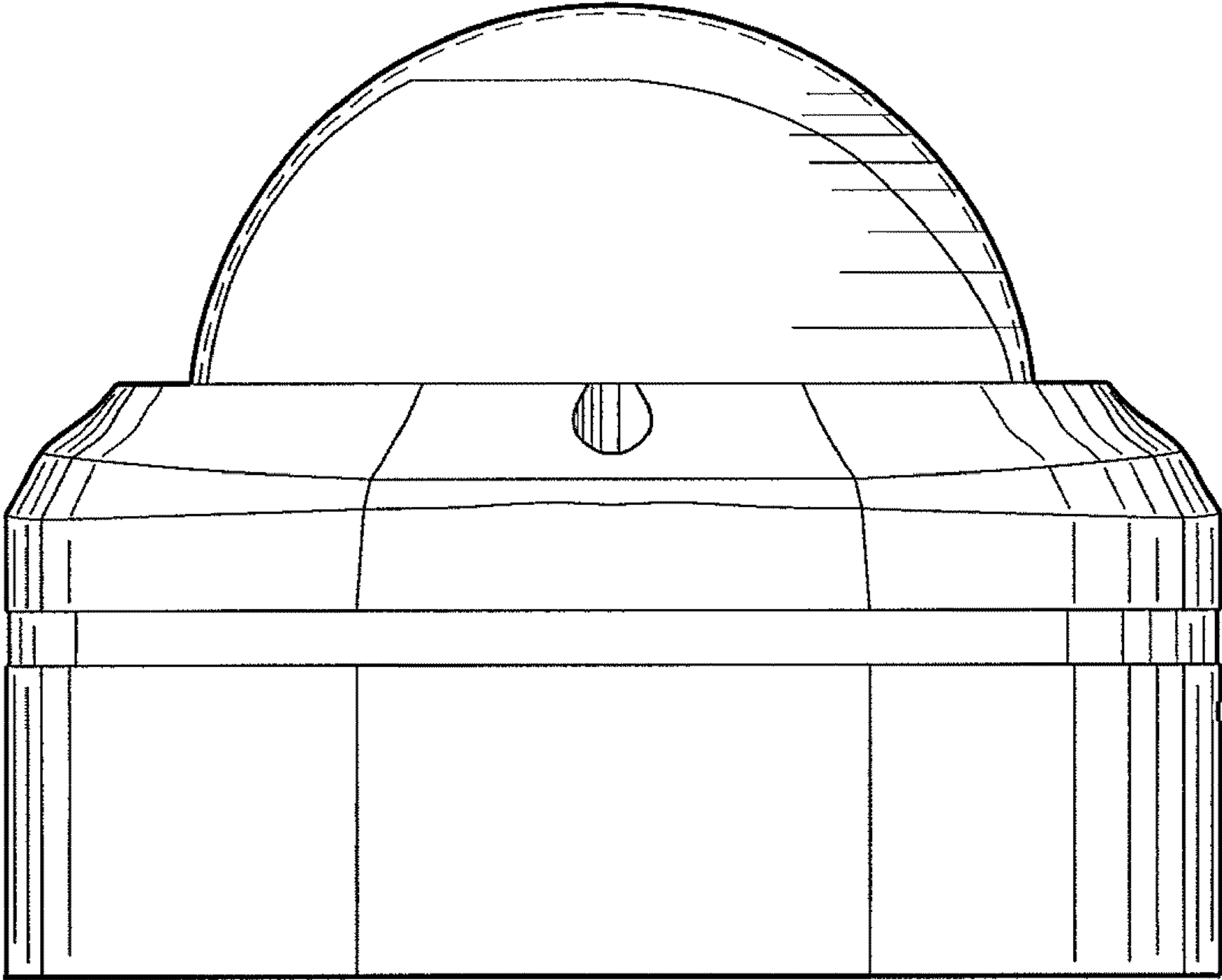


FIG. 4

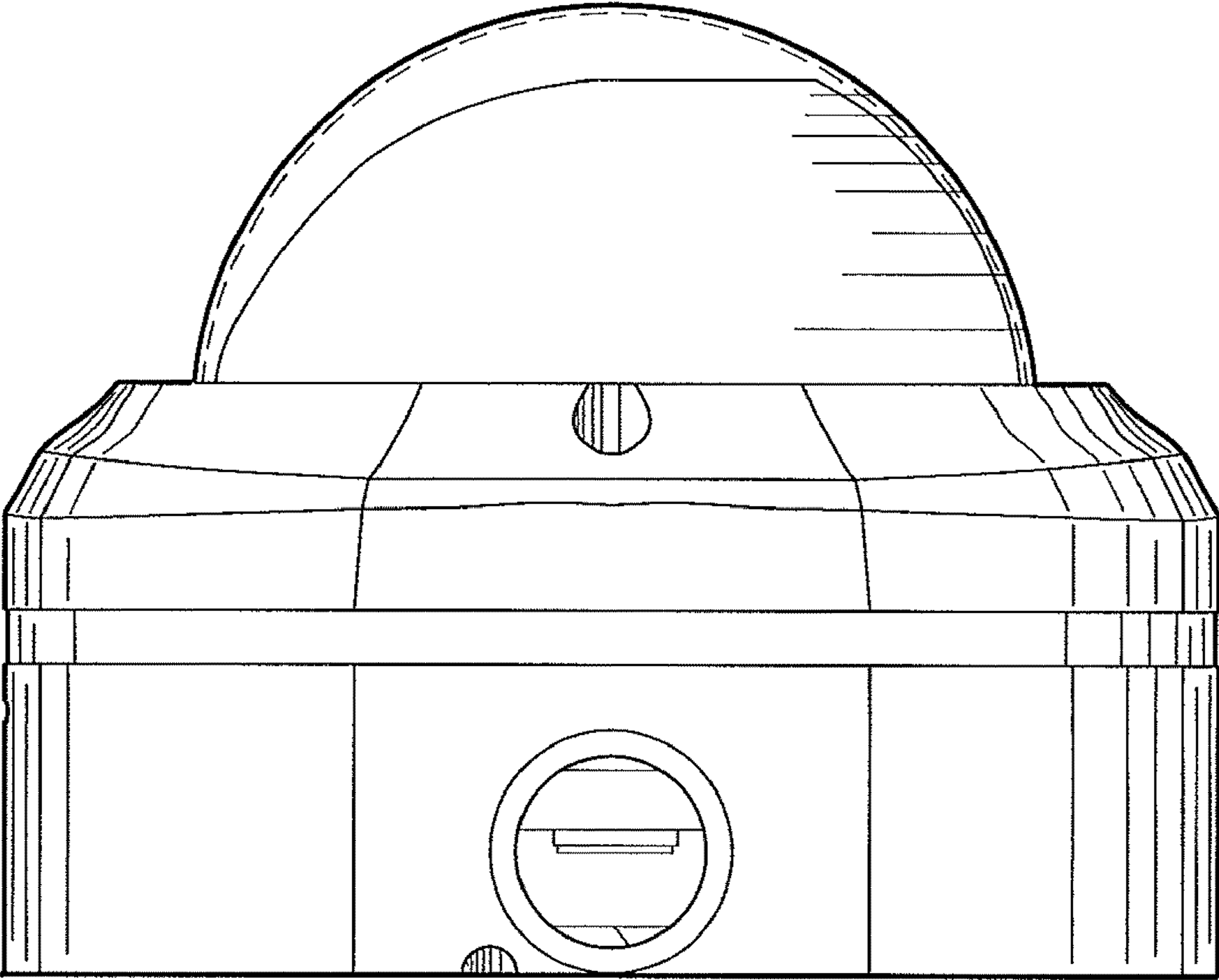


FIG. 5

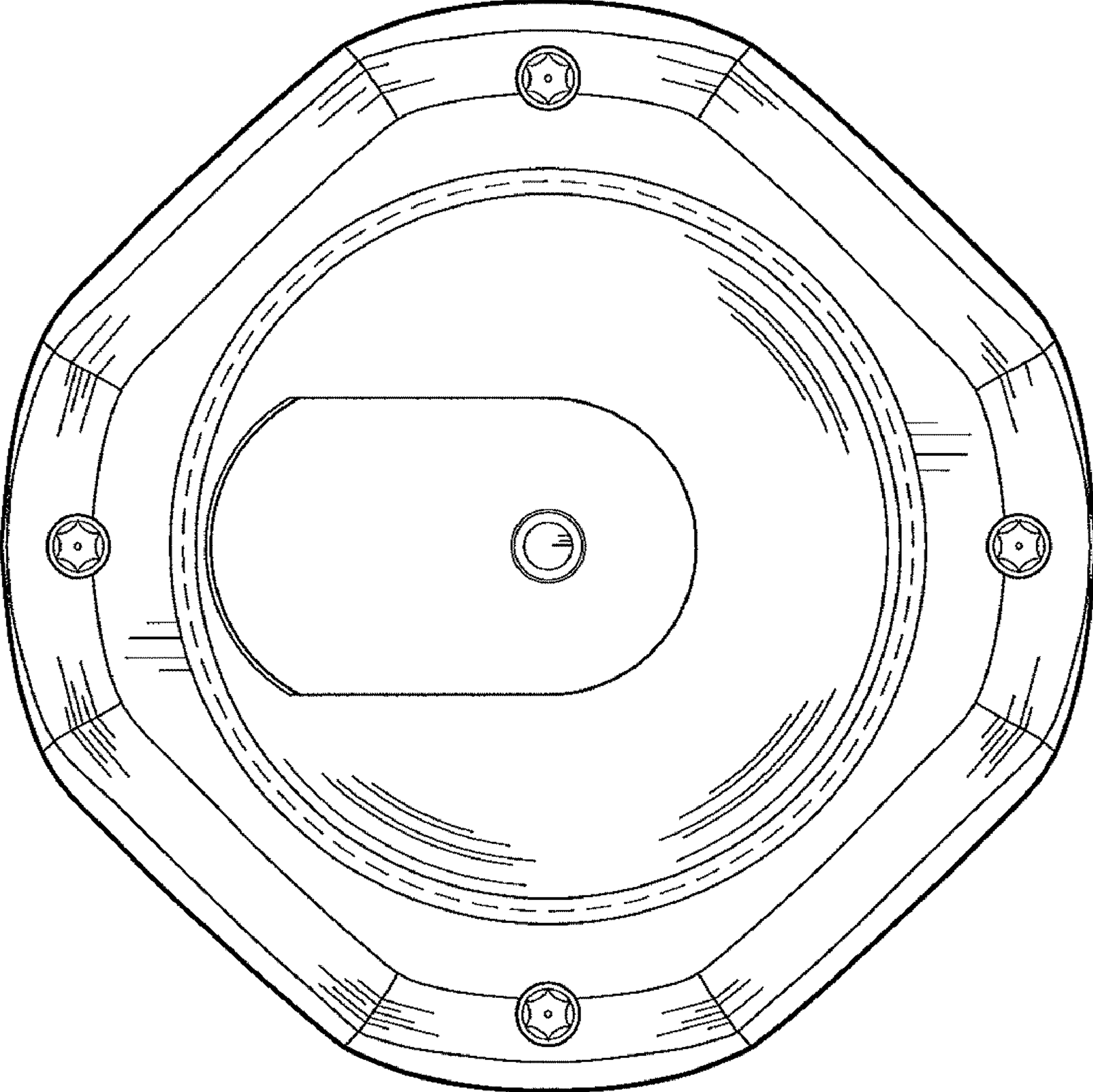


FIG. 6

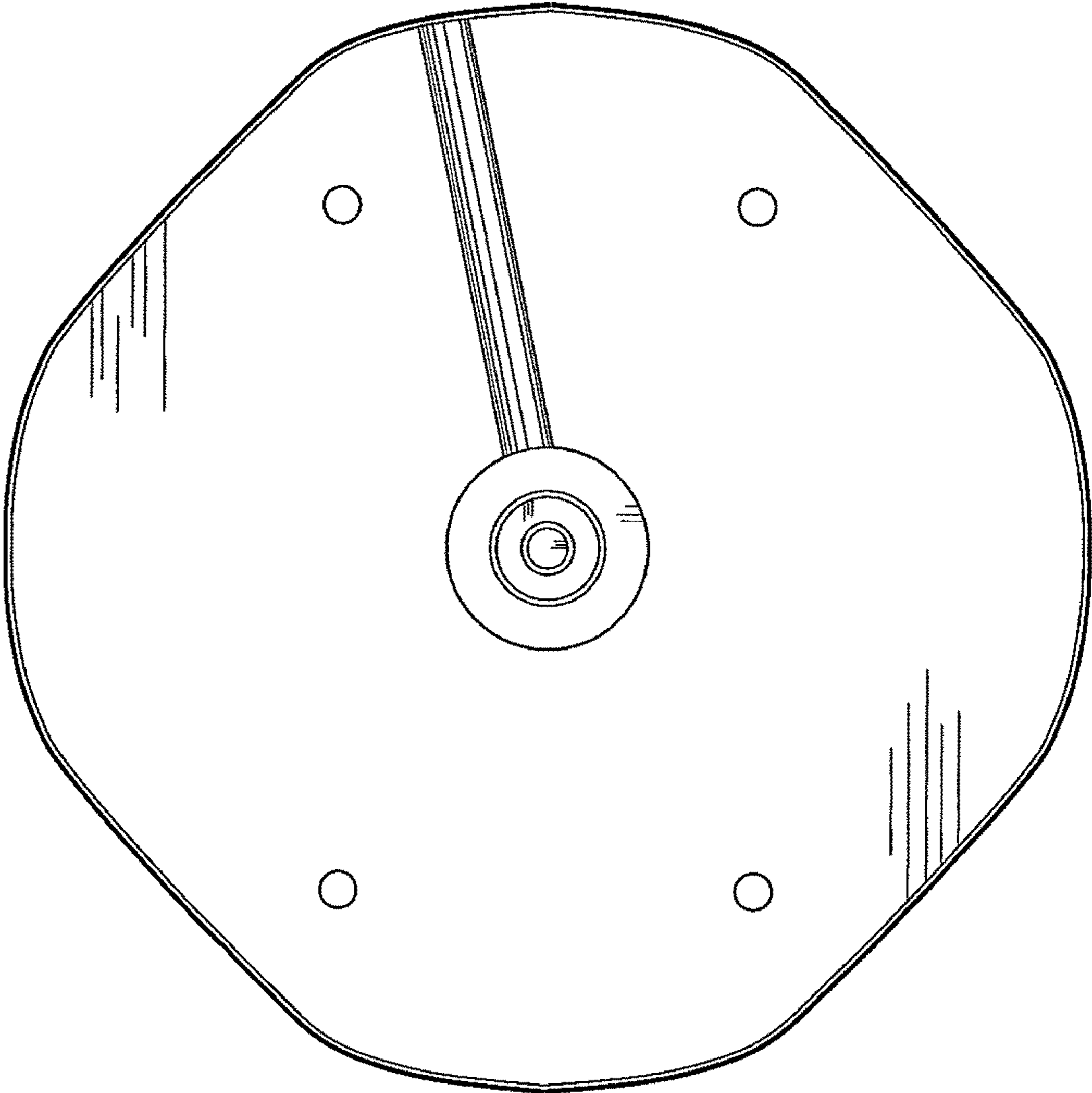


FIG. 7