



US00D653686S

(12) **United States Design Patent**
Tobia

(10) **Patent No.:** **US D653,686 S**

(45) **Date of Patent:** **** Feb. 7, 2012**

(54) **SNOW AND SAND SHIELD**

(75) Inventor: **Michael Tobia**, Carlsbad, CA (US)

(73) Assignee: **Dragon Alliance**, Carlsbad, CA (US)

(**) Term: **14 Years**

(21) Appl. No.: **29/396,110**

(22) Filed: **Jun. 24, 2011**

(51) **LOC (9) Cl.** **16-06**

(52) **U.S. Cl.** **D16/101**

(58) **Field of Classification Search** D16/101,
D16/300-342, 900; D29/109-110; D24/110.2;
351/41, 44, 51-52, 62, 158, 92, 103-123,
351/140, 153, 45-46; 2/426-432, 447-449,
2/441, 434-437, 13, 15; D21/483, 659-661
See application file for complete search history.

(56) **References Cited**

U.S. PATENT DOCUMENTS

| | | | | |
|---------------|---------|-----------------|-------|---------|
| D228,584 S * | 10/1973 | LeBlanc | | D16/312 |
| 4,977,627 A * | 12/1990 | Metcalfe et al. | | 2/437 |
| 5,213,241 A * | 5/1993 | Dewar et al. | | 224/222 |
| 5,363,512 A * | 11/1994 | Grabos et al. | | 2/436 |
| 5,410,763 A * | 5/1995 | Bolle | | 2/436 |

| | | | | |
|----------------|---------|---------------|-------|---------|
| D372,725 S * | 8/1996 | Vigneron | | D16/311 |
| D372,928 S * | 8/1996 | Brune et al. | | D16/311 |
| 6,098,204 A * | 8/2000 | Arnette | | 2/426 |
| 6,149,268 A * | 11/2000 | Hall et al. | | 351/62 |
| 6,324,702 B1 * | 12/2001 | Spindelbalker | | 2/435 |
| D544,013 S * | 6/2007 | Curci | | D16/312 |
| D548,251 S * | 8/2007 | Broersma | | D16/101 |
| D552,662 S * | 10/2007 | Woxing | | D16/312 |

* cited by examiner

Primary Examiner — Raphael Barkai

(74) *Attorney, Agent, or Firm* — S McPherson IP Law

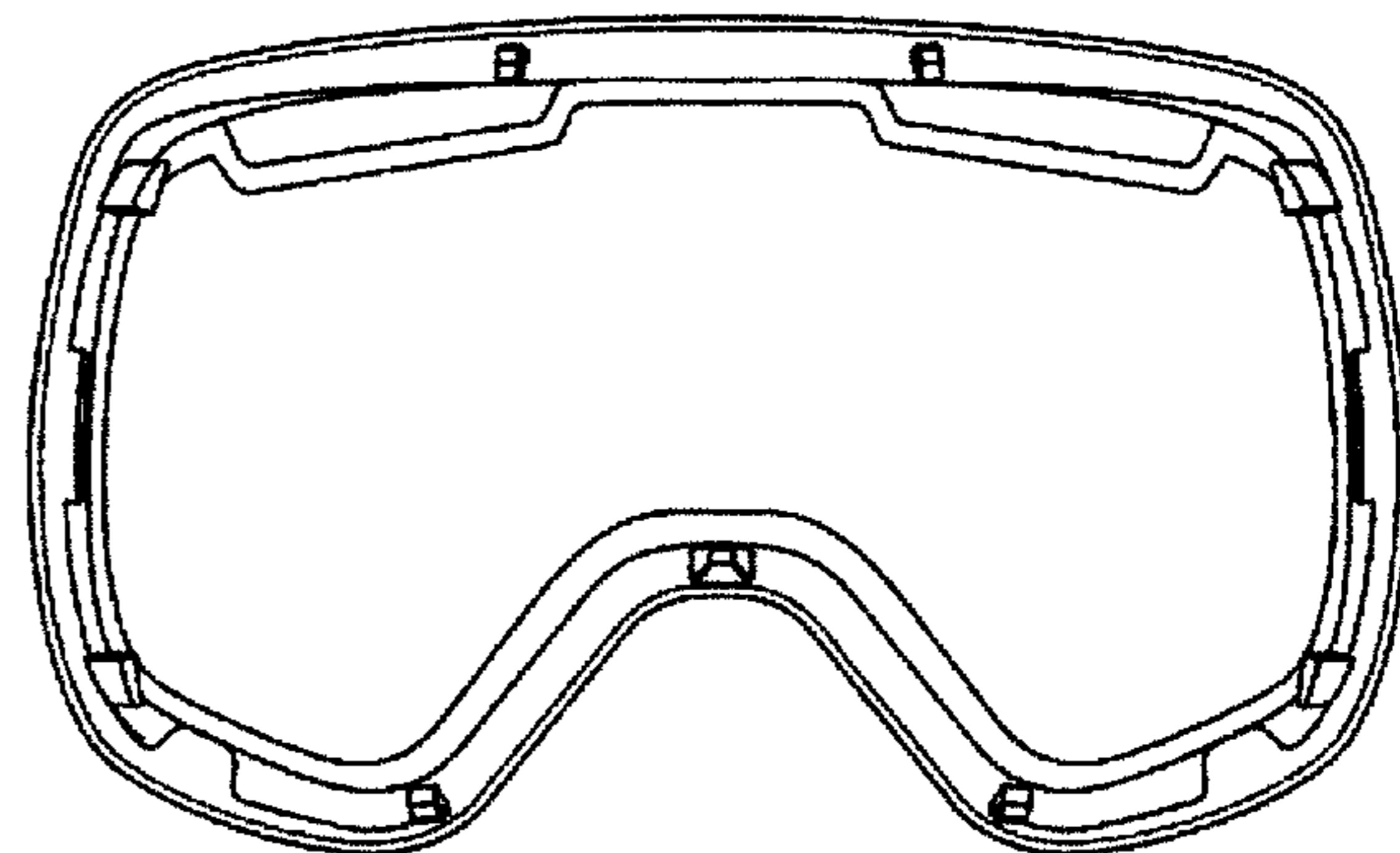
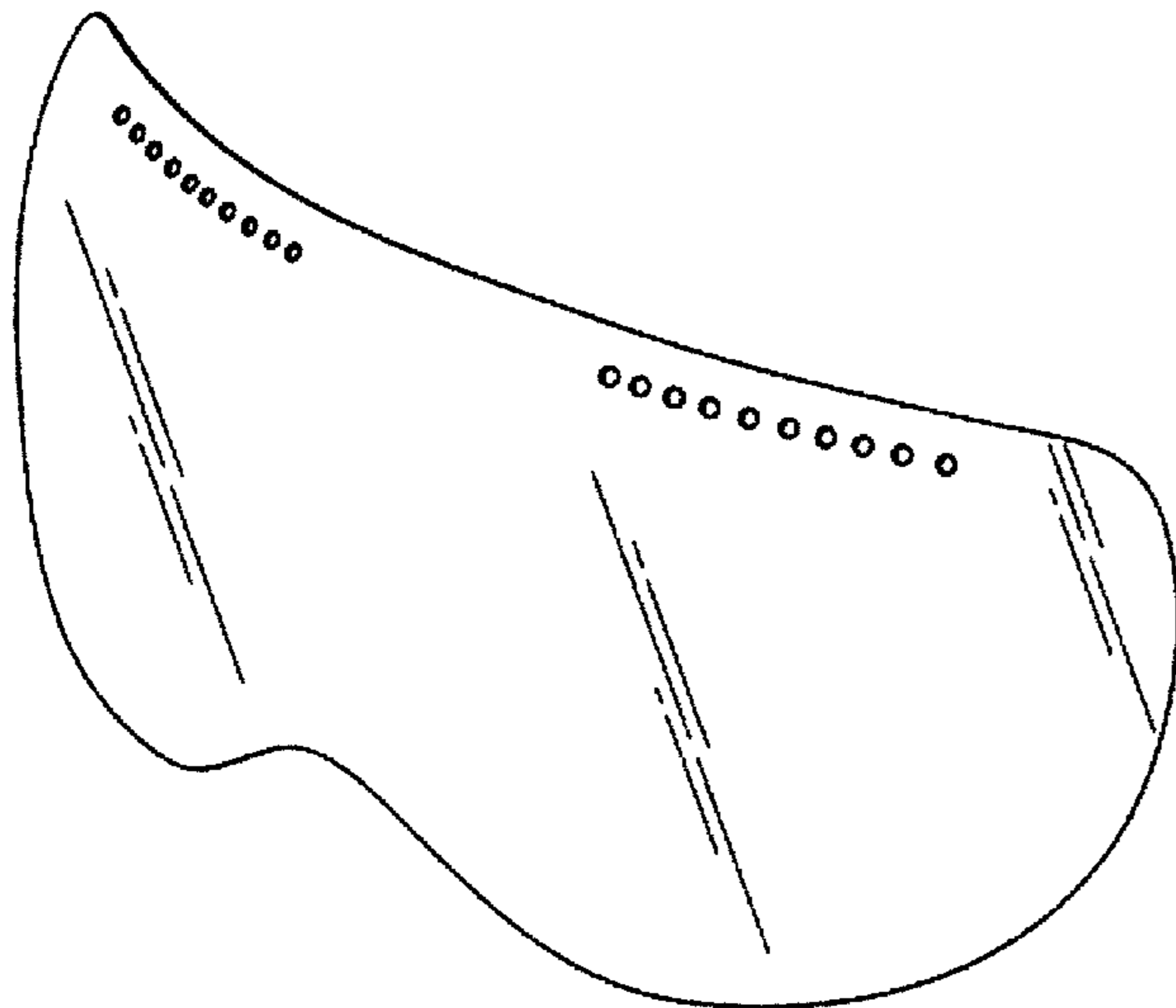
(57) **CLAIM**

The ornamental design for a snow and sand shield, as shown and described.

DESCRIPTION

FIG. 1 is a perspective view of a snow and sand shield showing our new design;
FIG. 2 is a front elevational view thereof;
FIG. 3 is a rear elevational view thereof;
FIG. 4 is a right side elevational view thereof;
FIG. 5 is a left side elevational view thereof;
FIG. 6 is a top plan view thereof; and,
FIG. 7 is a bottom plan view, thereof.

1 Claim, 3 Drawing Sheets



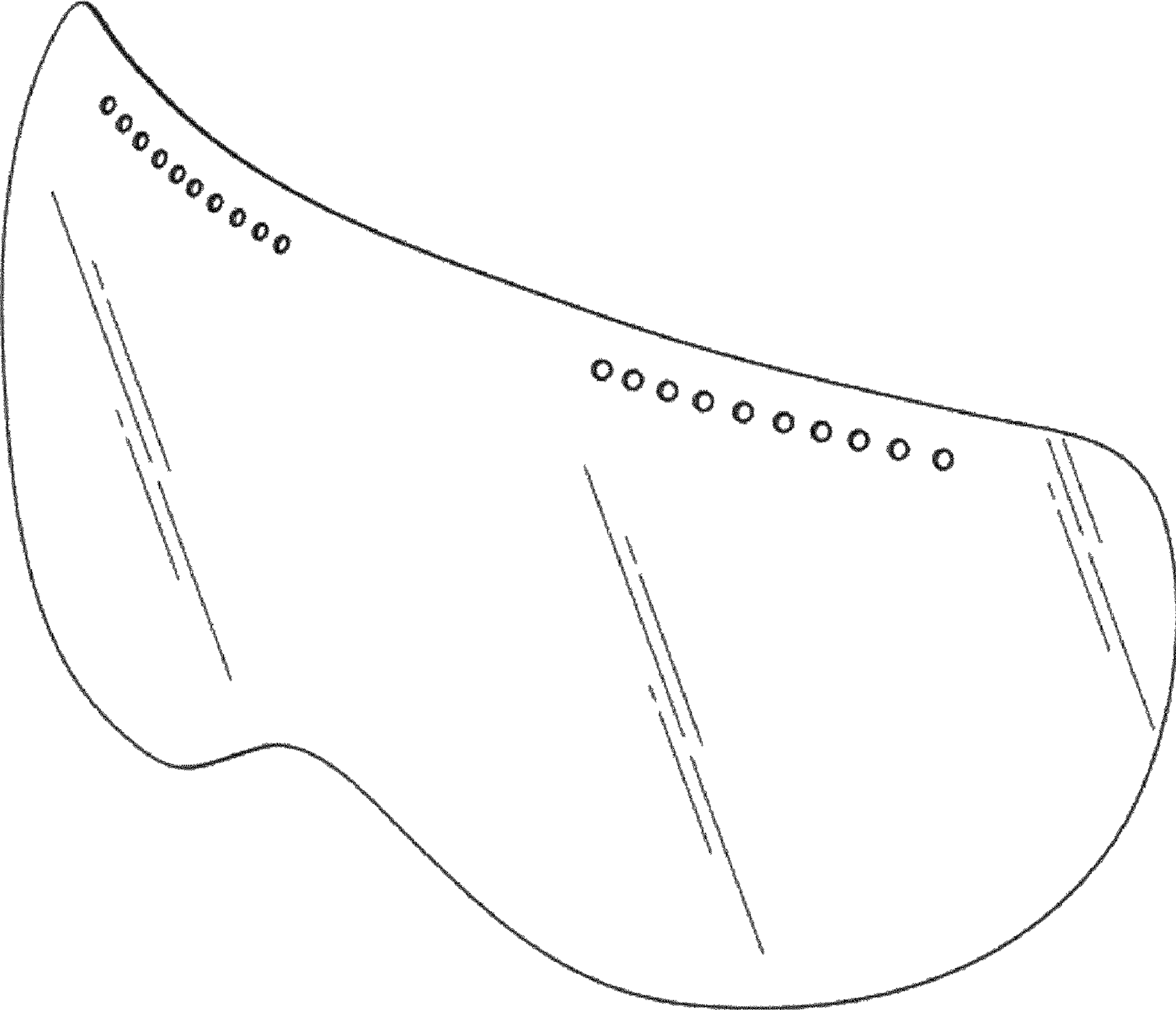


FIG. 1

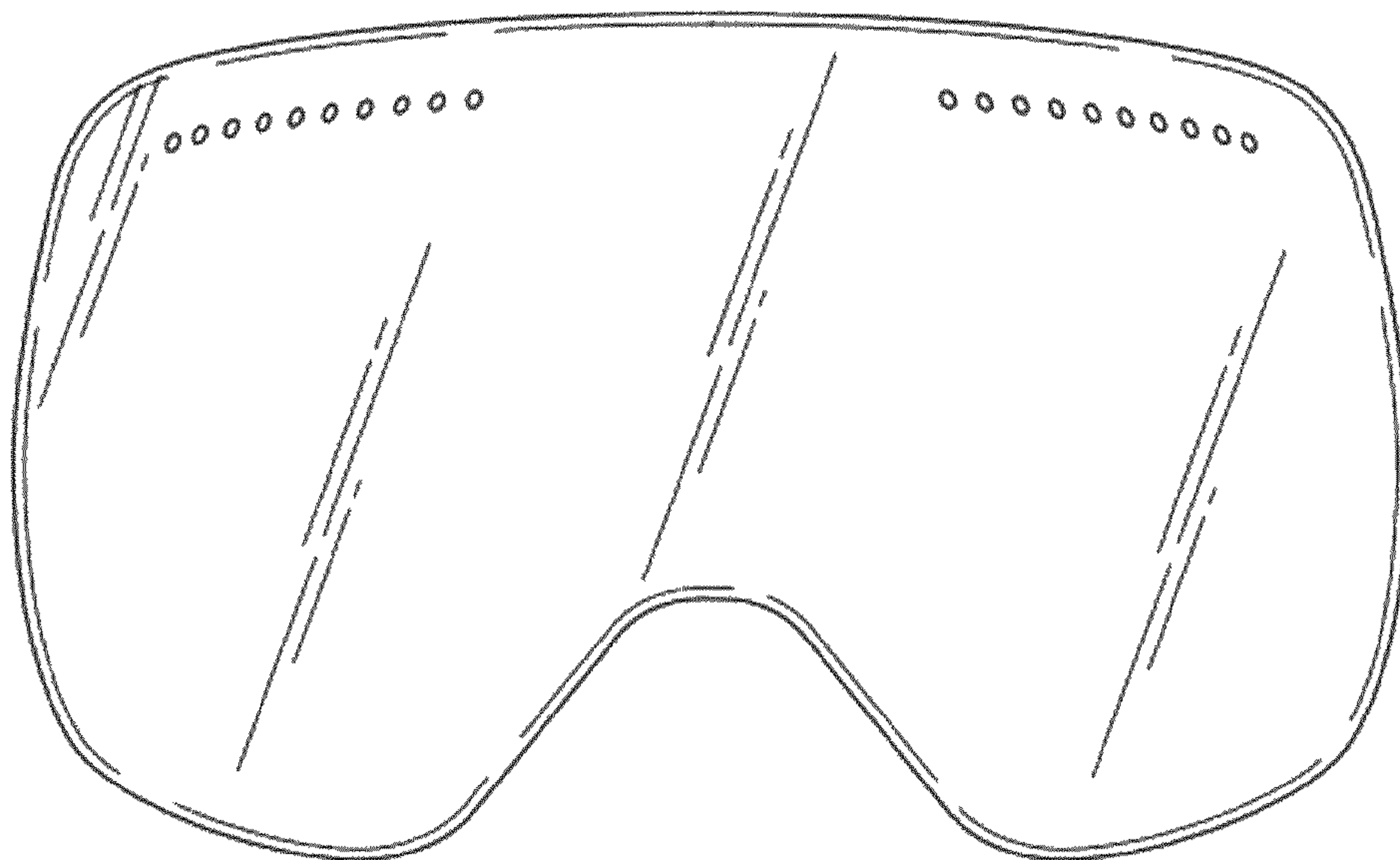


FIG. 2

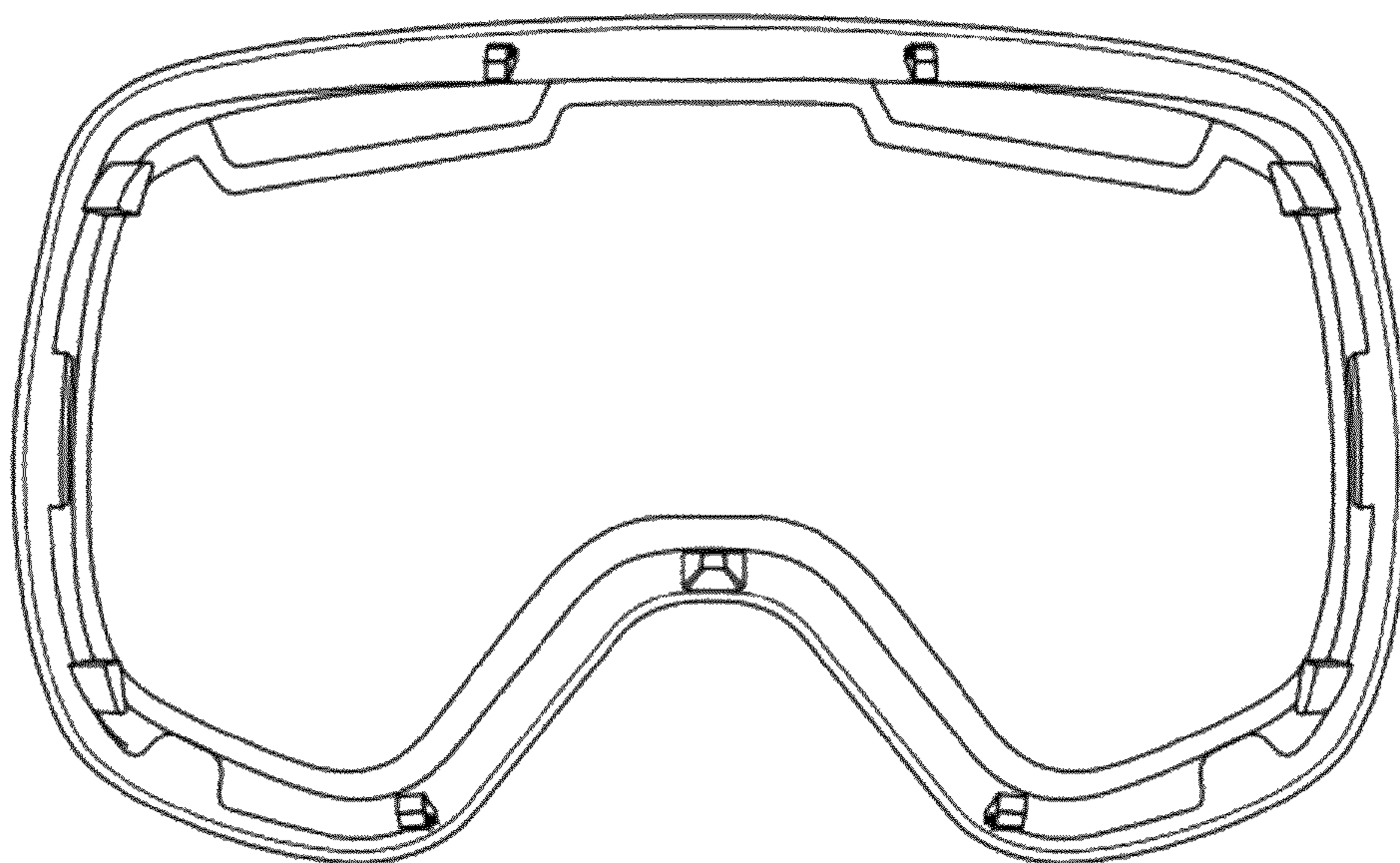


FIG. 3

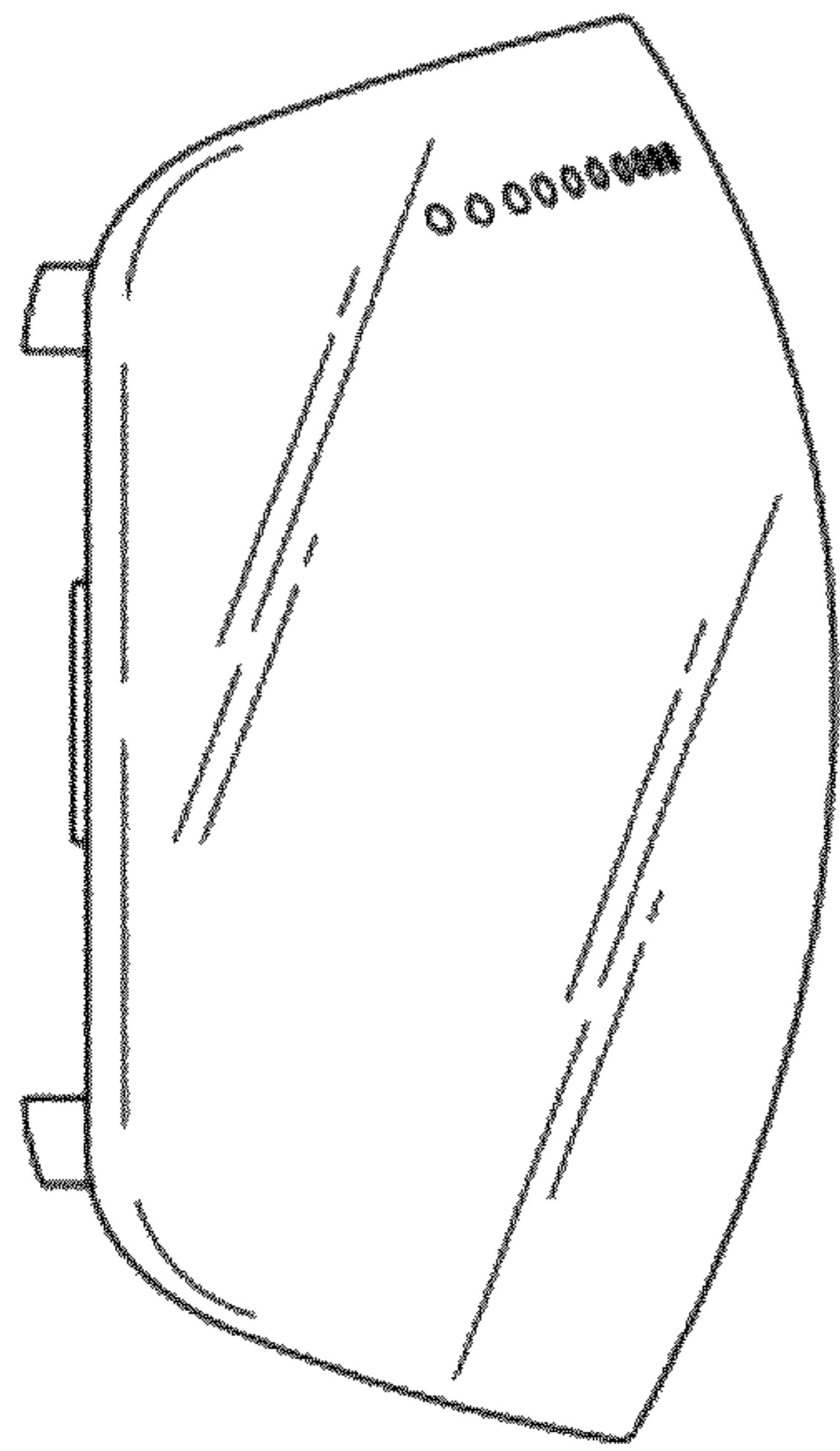


FIG. 4

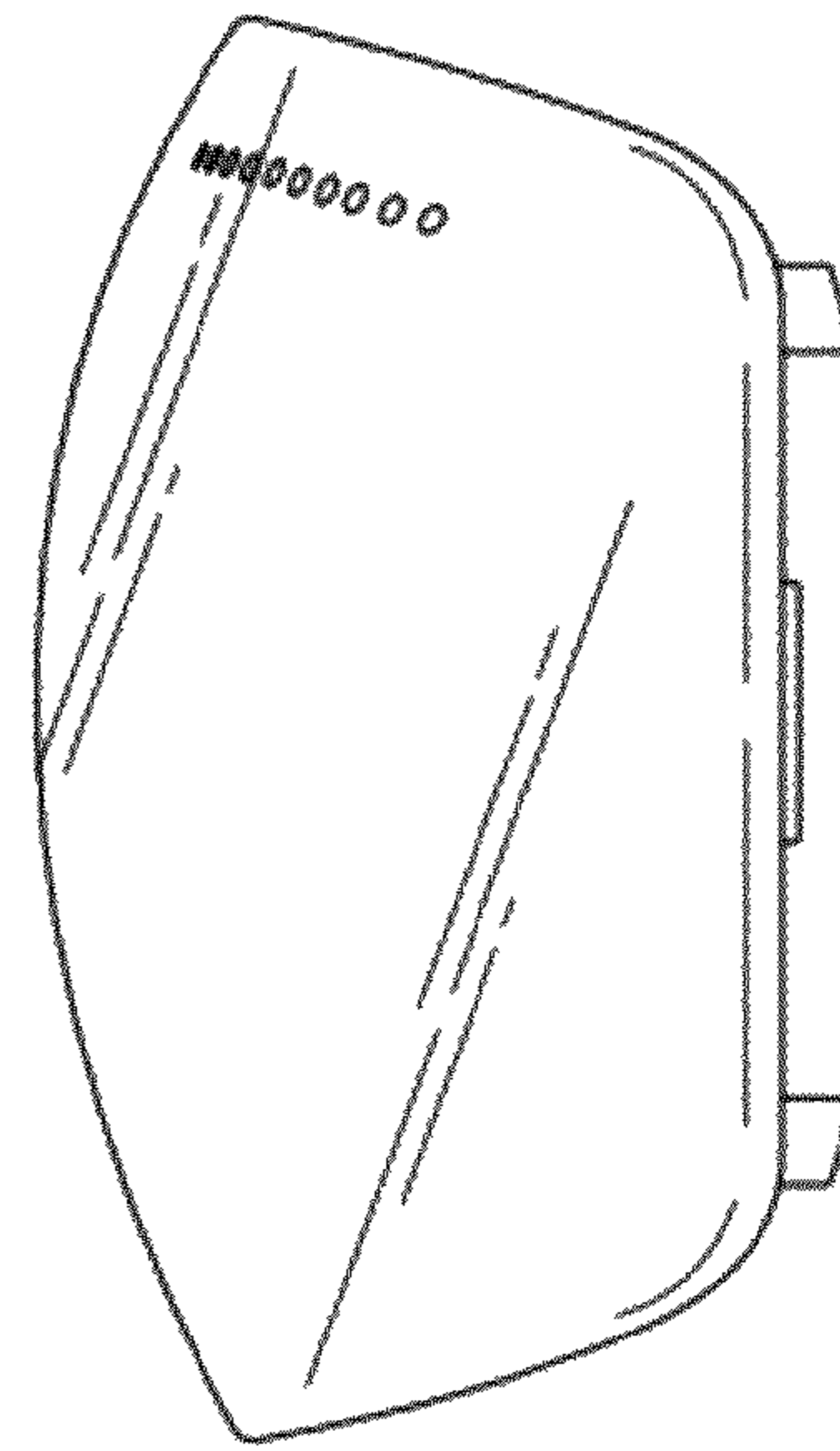


FIG. 5

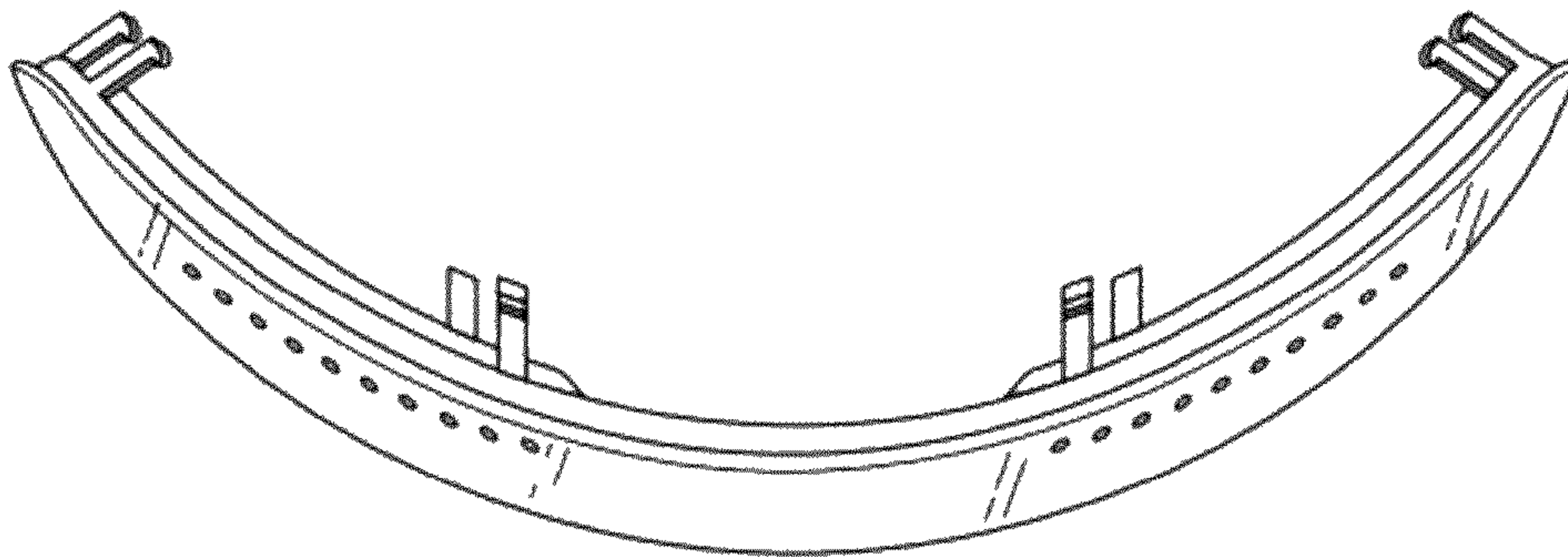


FIG. 6

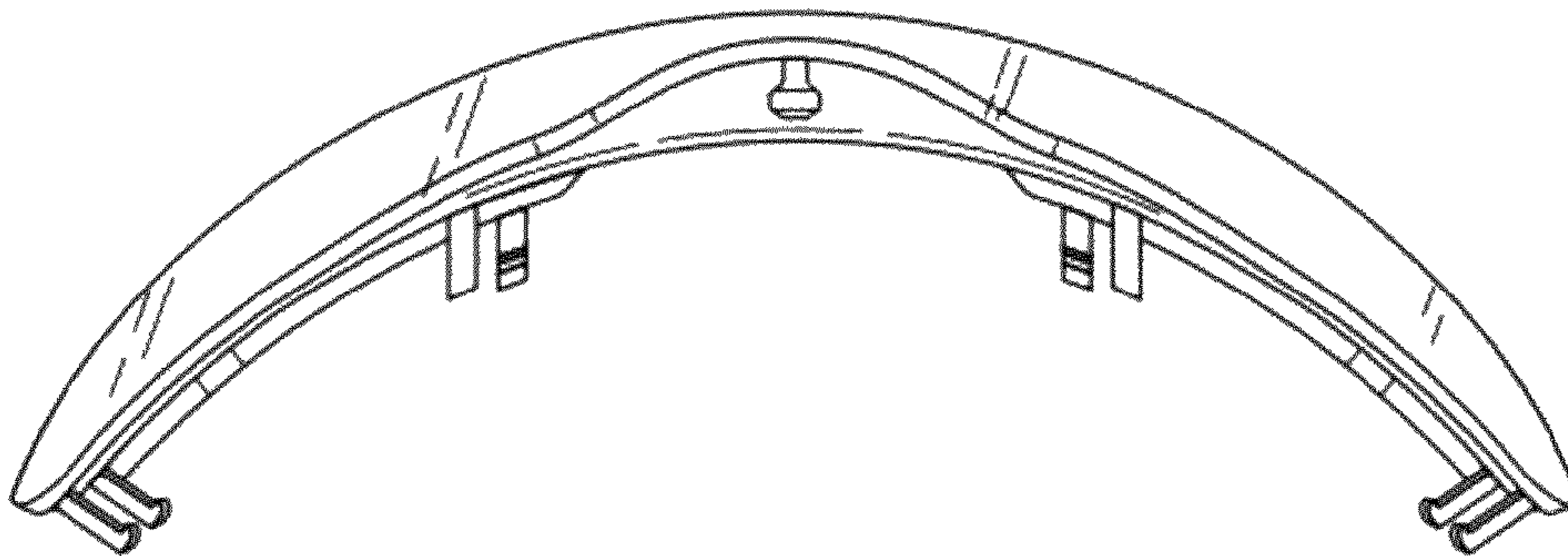


FIG. 7