

US00D653685S

(12) **United States Design Patent**
Farrow

(10) **Patent No.:** **US D653,685 S**
(45) **Date of Patent:** **** Feb. 7, 2012**

(54) **WET ABRASIVE SYSTEM**

(75) Inventor: **Nigel Farrow**, West Chester, PA (US)

(73) Assignee: **Farrow Holdings Group, Inc.**,
Philadelphia, PA (US)

(**) Term: **14 Years**

(21) Appl. No.: **29/359,770**

(22) Filed: **Apr. 15, 2010**

(30) **Foreign Application Priority Data**

Feb. 22, 2010 (GB) 4014584

(51) **LOC (9) Cl.** **15-09**

(52) **U.S. Cl.** **D15/124**

(58) **Field of Classification Search** D15/124,
D15/125, 126; 51/124, 268, 272, 410, 424,
51/425, 426, 438; 451/38, 39, 40, 75, 87,
451/88, 89, 91, 99, 451

See application file for complete search history.

(56) **References Cited**

U.S. PATENT DOCUMENTS

3,516,205	A *	6/1970	Thomson	451/87
D246,108	S *	10/1977	Ashworth	D15/124
D250,196	S *	11/1978	Caccioli et al.	D15/124
4,125,969	A *	11/1978	Easton	451/39
D323,661	S *	2/1992	Zwicker	D15/124
5,827,114	A *	10/1998	Yam et al.	451/75
5,947,800	A *	9/1999	Fring	451/99
6,099,395	A *	8/2000	Guseman	451/75
7,112,120	B2 *	9/2006	Rivir et al.	451/38

(Continued)

Primary Examiner — Patricia Palasik

(74) *Attorney, Agent, or Firm* — Caesar, Rivise, Bernstein,
Cohen & Pokotilow, Ltd.

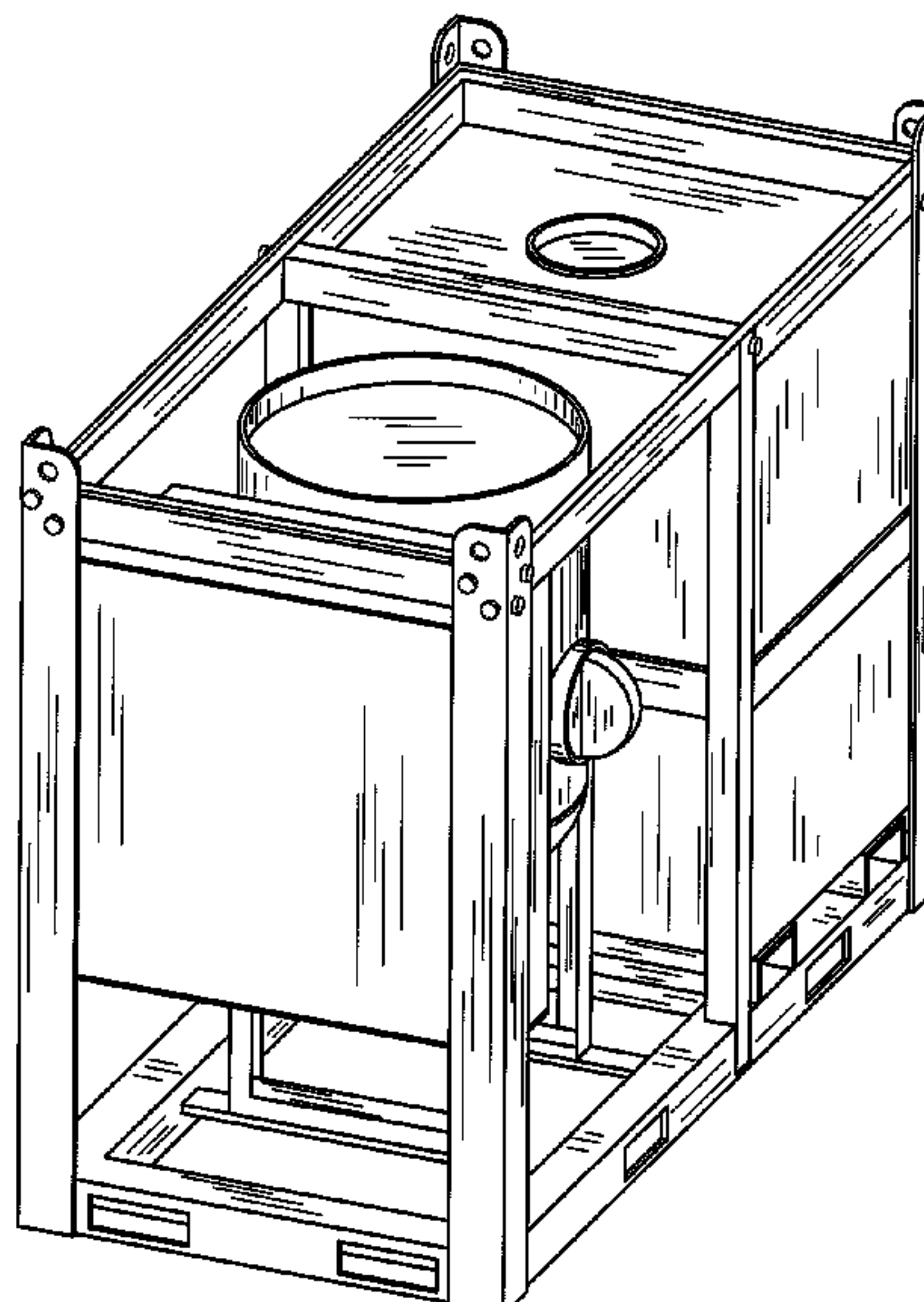
(57) **CLAIM**

The ornamental design for the wet abrasive system, as shown and described.

DESCRIPTION

FIG. 1 is a rear isometric view of a wet abrasive system in accordance with a preferred embodiment of my design;
 FIG. 2 is a front isometric view of the wet abrasive system of FIG. 1;
 FIG. 3 is a front elevation view of the wet abrasive system of FIG. 1;
 FIG. 4 is a rear elevation view of the wet abrasive system of FIG. 1;
 FIG. 5 is a right side elevation view of the wet abrasive system of FIG. 1;
 FIG. 6 is a left side elevation view of the wet abrasive system of FIG. 1;
 FIG. 7 is a top, plan view of the wet abrasive system of FIG. 1;
 FIG. 8 is a bottom view of the wet abrasive system of FIG. 1;
 FIG. 9 is a rear isometric view of a wet abrasive system in accordance with a second preferred embodiment of my design;
 FIG. 10 is a front isometric view of the wet abrasive system of FIG. 9;
 FIG. 11 is a front elevation view of the wet abrasive system of FIG. 9;
 FIG. 12 is a rear elevation view of the wet abrasive system of FIG. 9;
 FIG. 13 is a right side elevation view of the wet abrasive system of FIG. 9;
 FIG. 14 is a left side elevation view of the wet abrasive system of FIG. 9;
 FIG. 15 is a top, plan view of the wet abrasive system of FIG. 9; and,
 FIG. 16 is a bottom view of the wet abrasive system of FIG. 9.
 The dashed lines shown in the figures represent environmental subject matter and form no part of the claimed design.

1 Claim, 16 Drawing Sheets



US D653,685 S

Page 2

U.S. PATENT DOCUMENTS			
D534,557 S *	1/2007	Storer et al.	D15/124
2003/0124955 A1 *	7/2003	Hanson	451/2
2003/0199232 A1 *	10/2003	Rivir et al.	451/38
2004/0092216 A1 *	5/2004	Publ et al.	451/87
* cited by examiner			

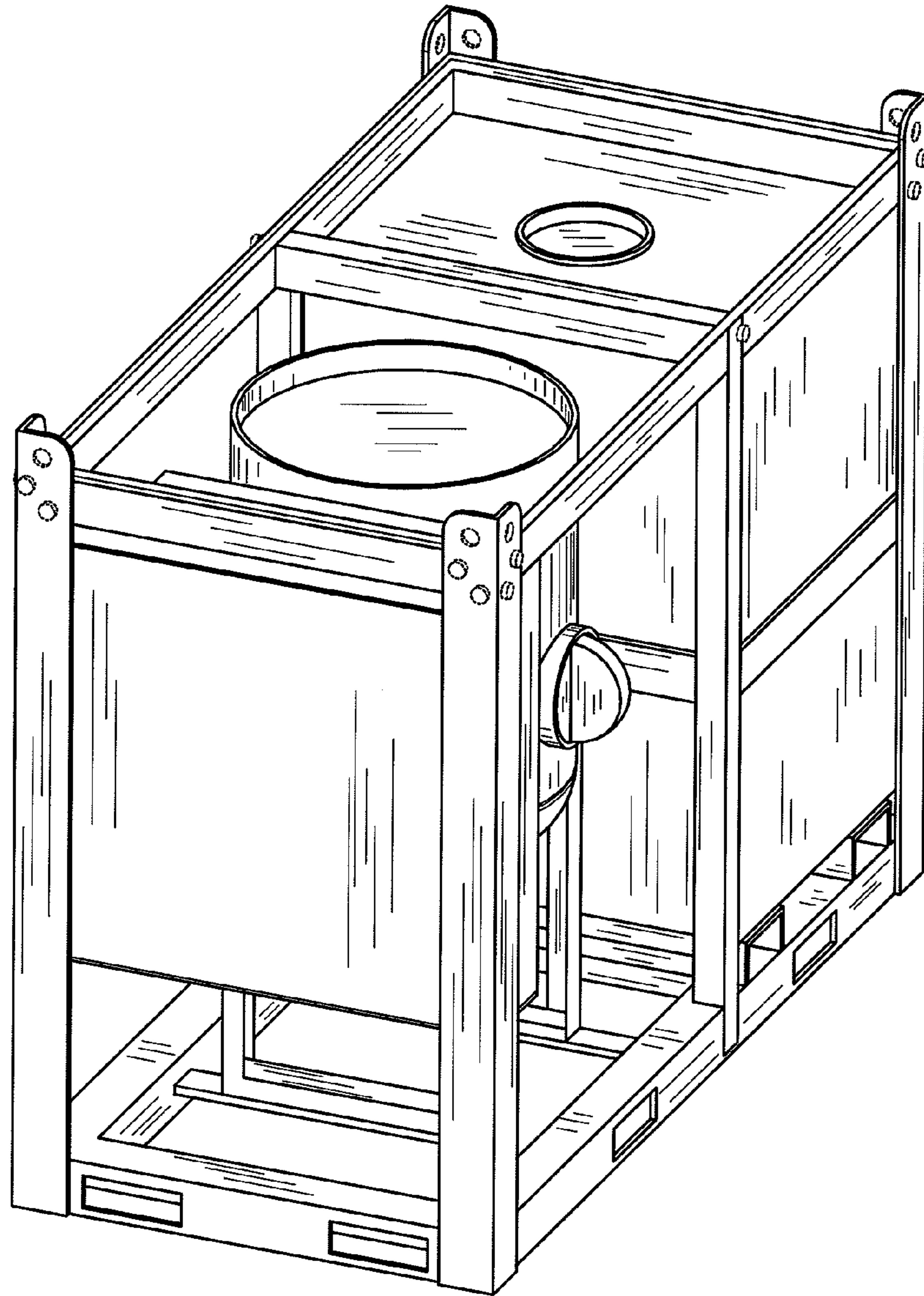


FIG. 1

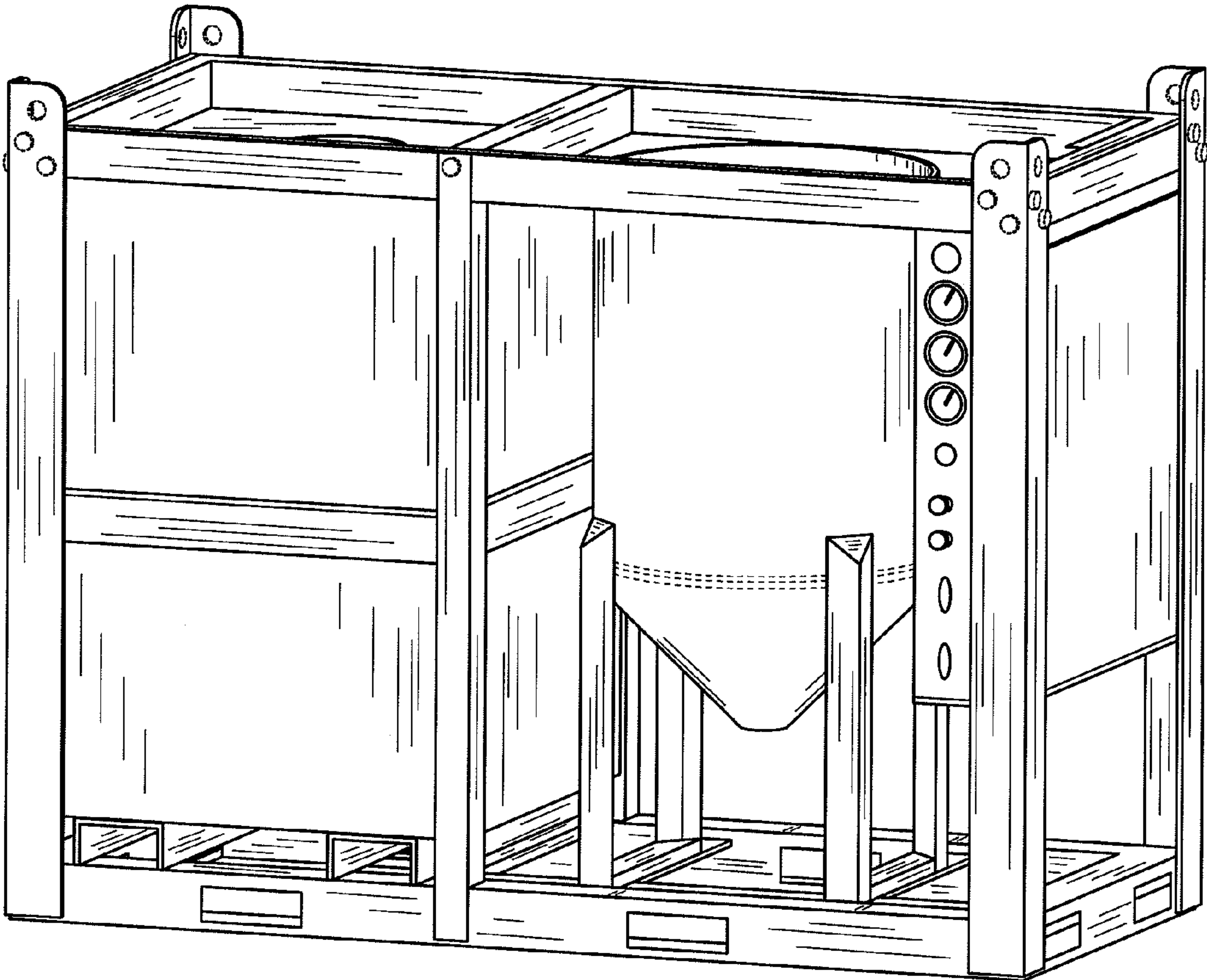


FIG. 2

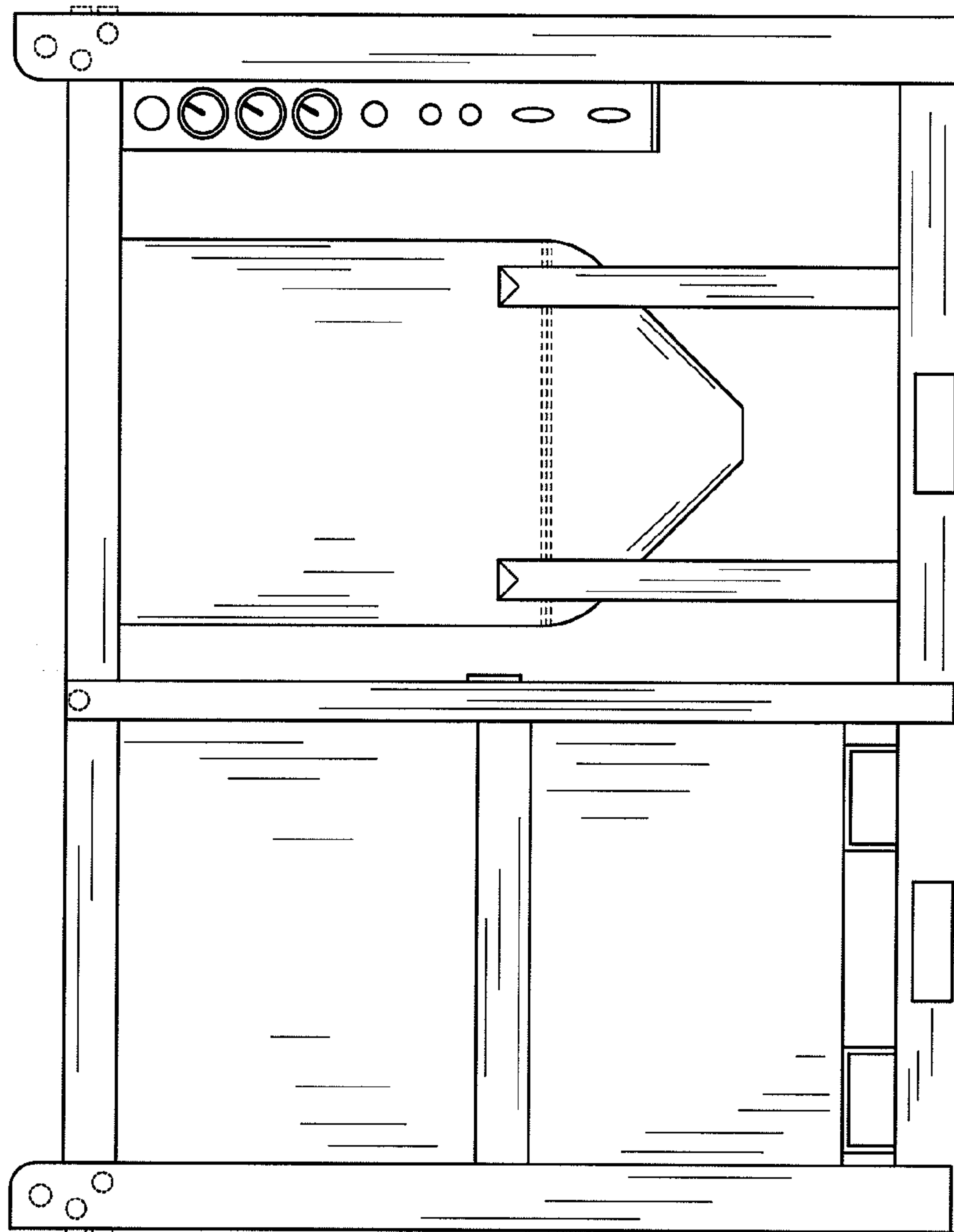


FIG. 3

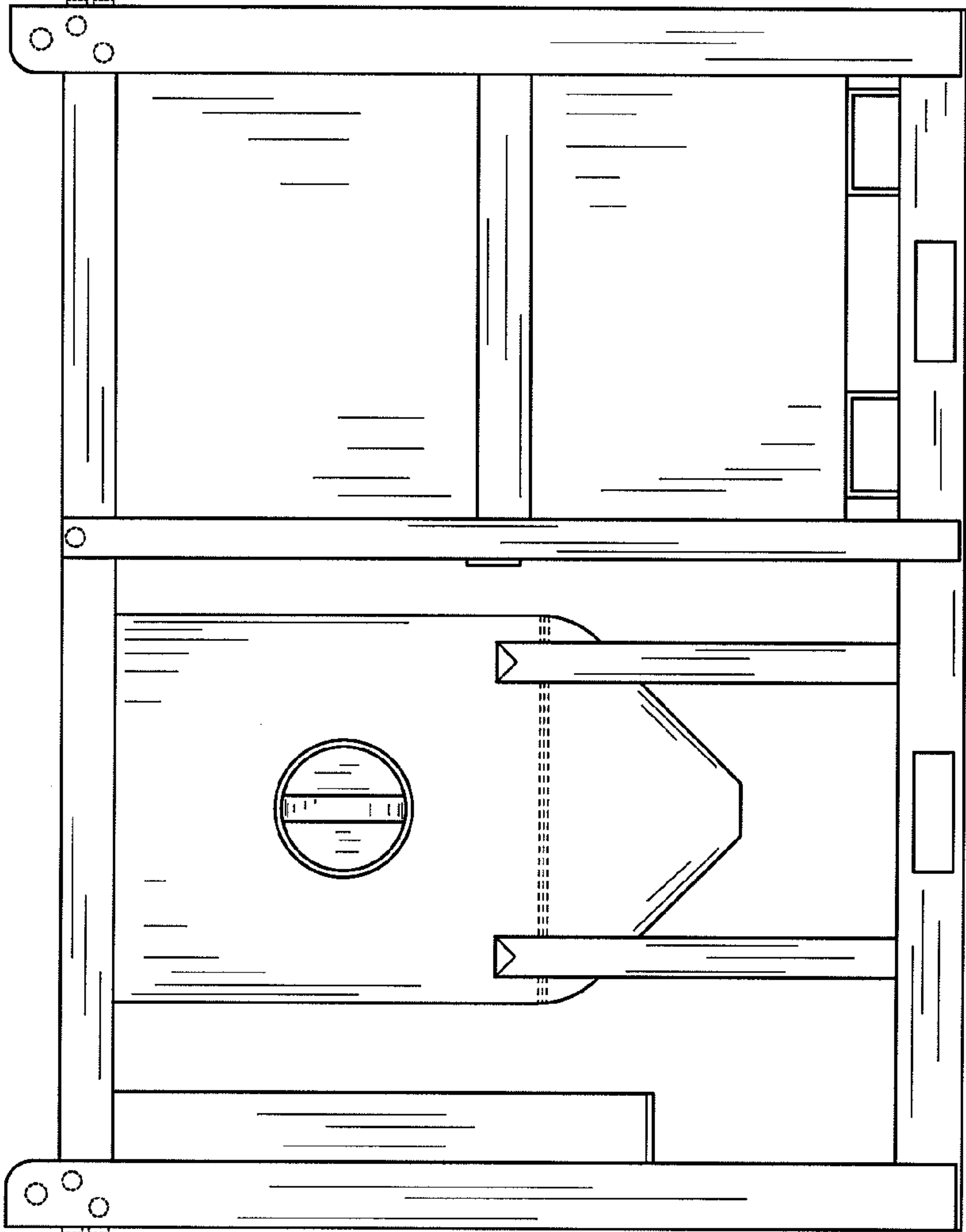


FIG. 4

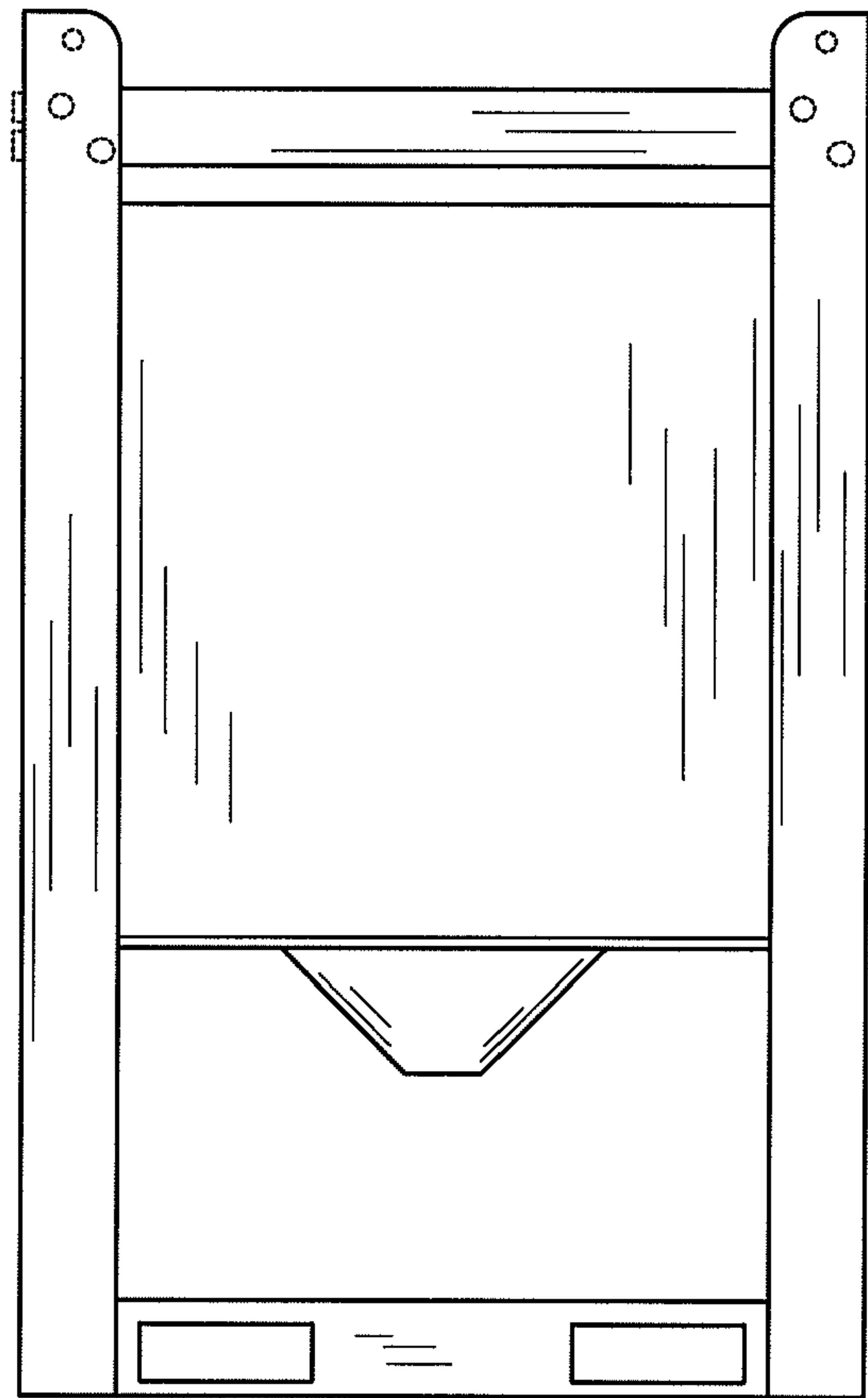


FIG. 5

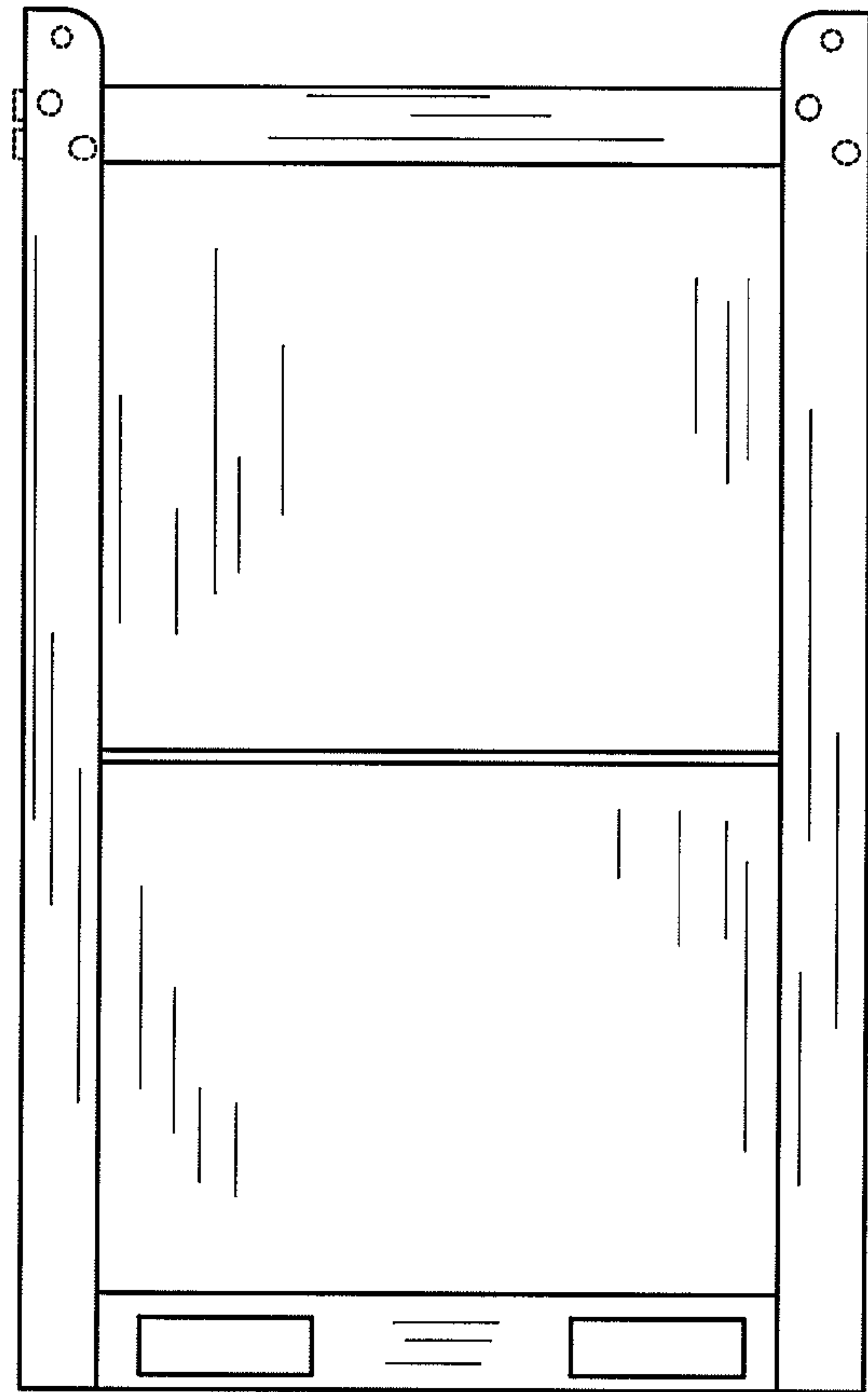


FIG. 6

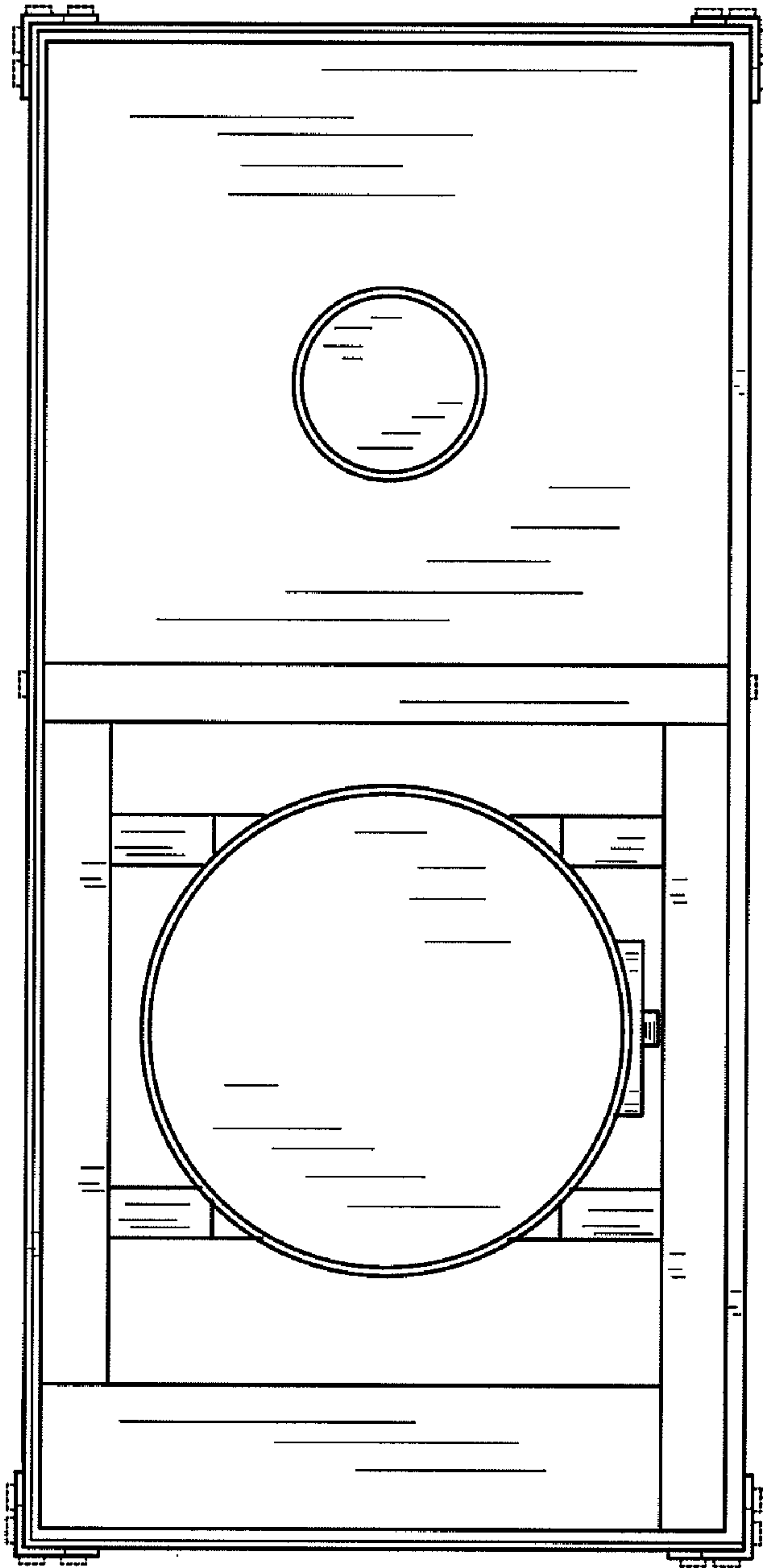


FIG. 7

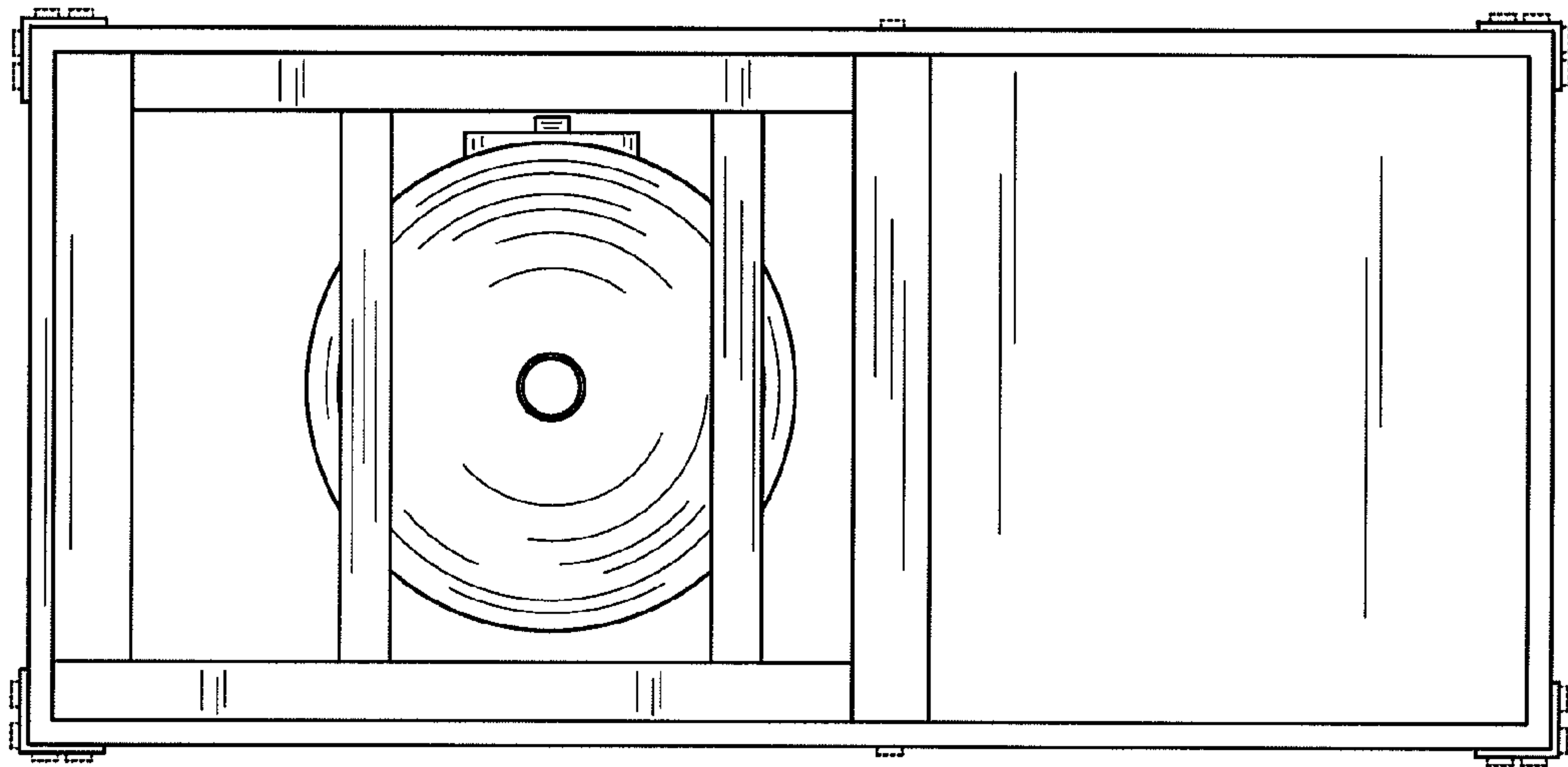


FIG. 8

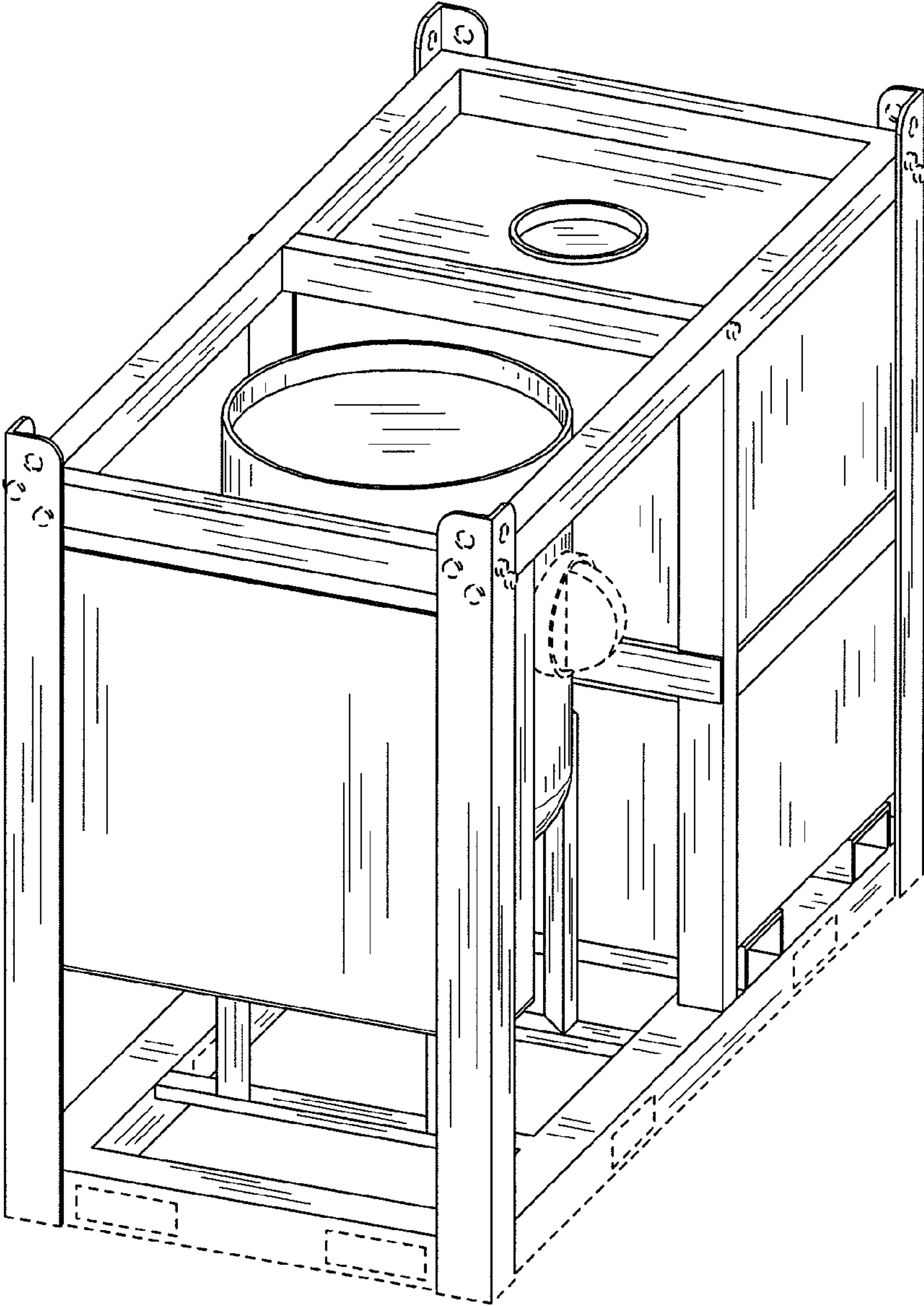


FIG. 9

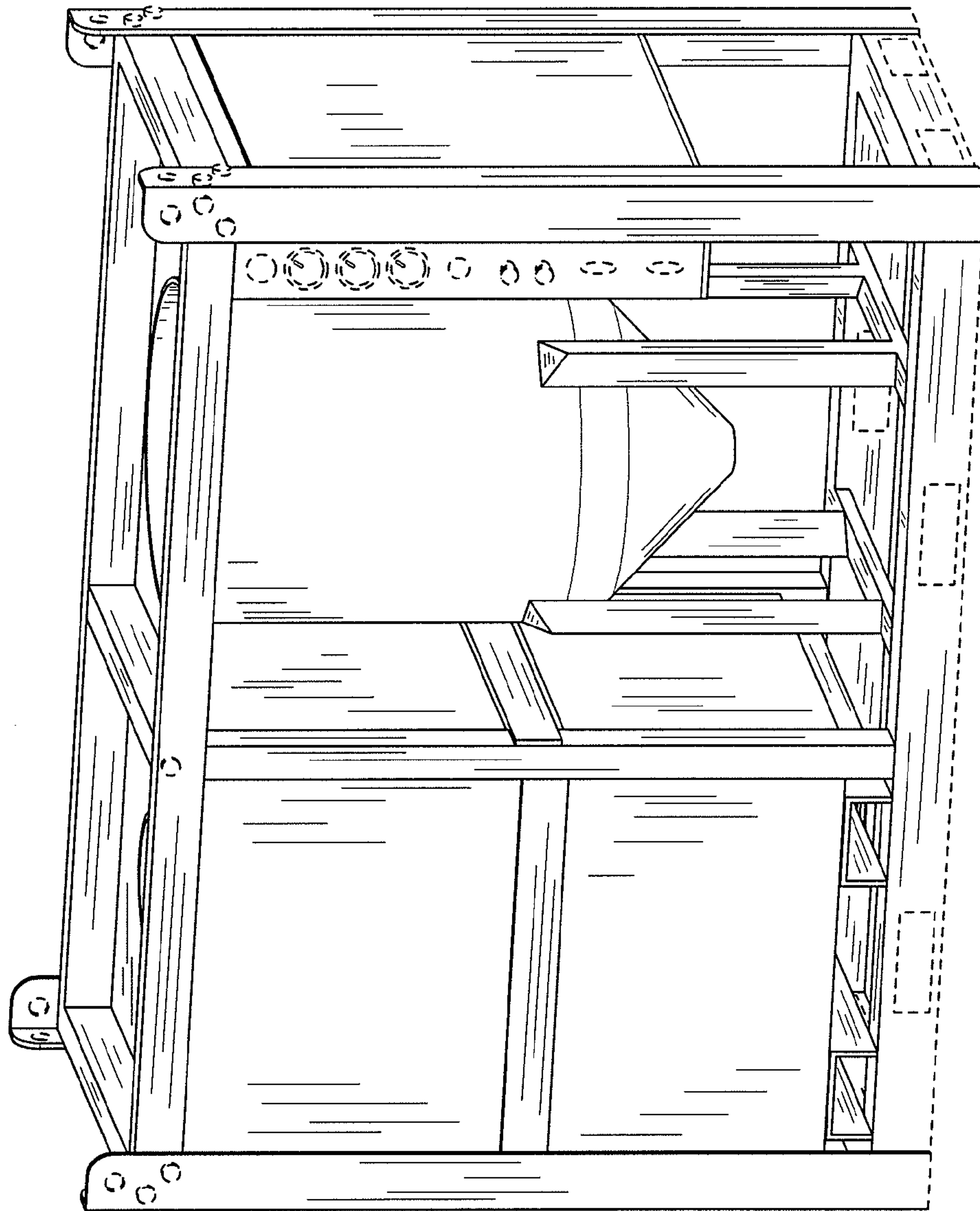


FIG. 10

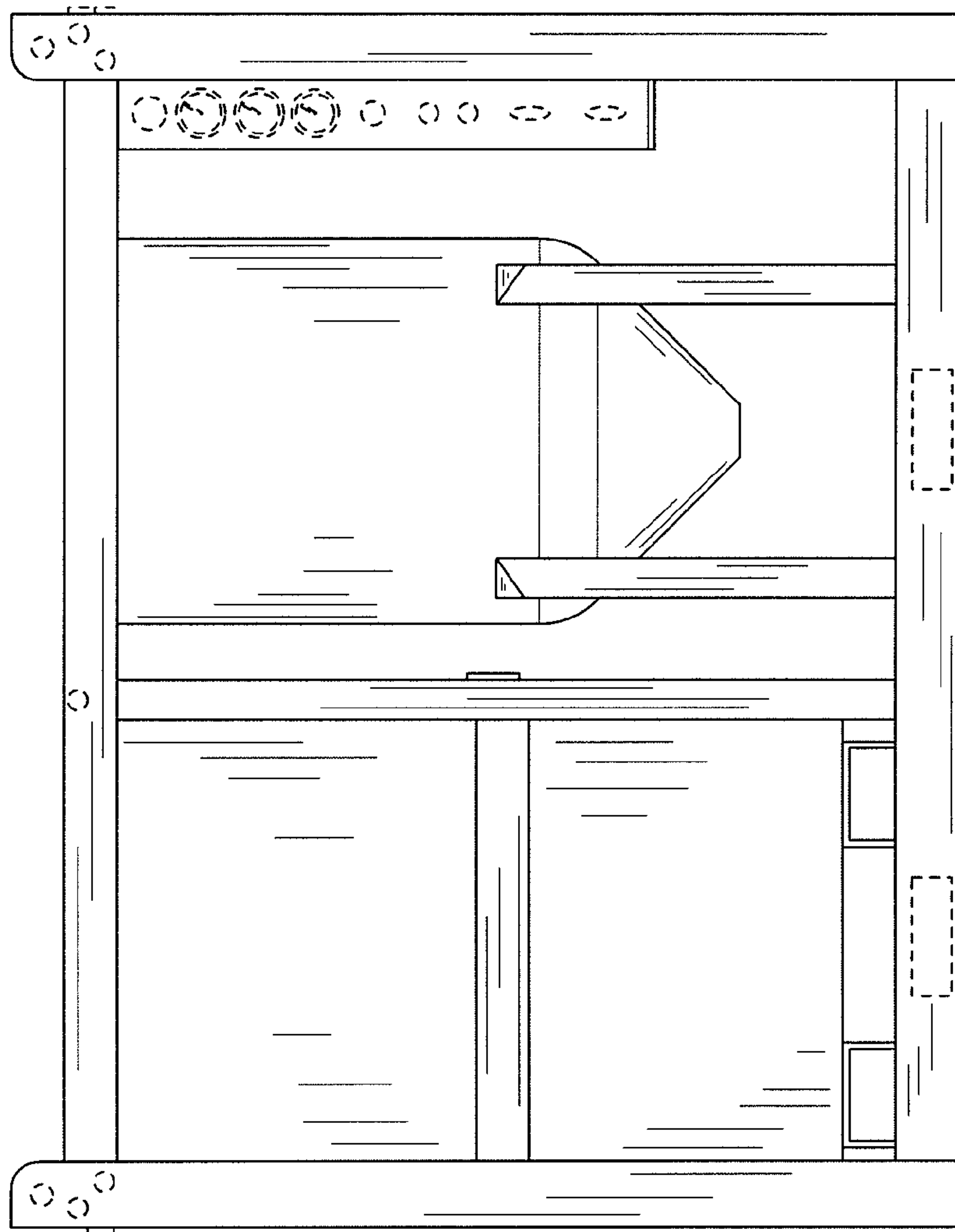


FIG. 11

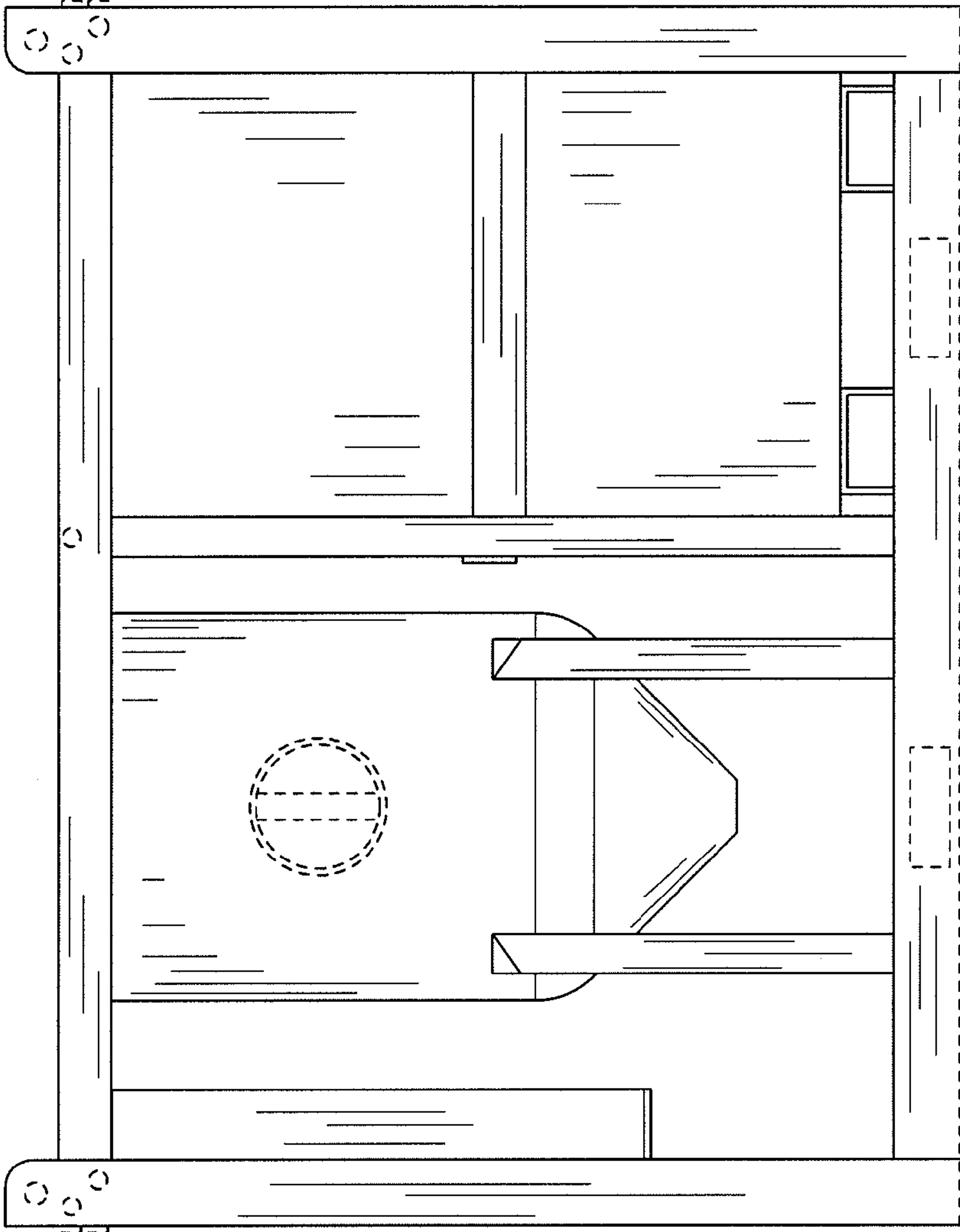


FIG. 12

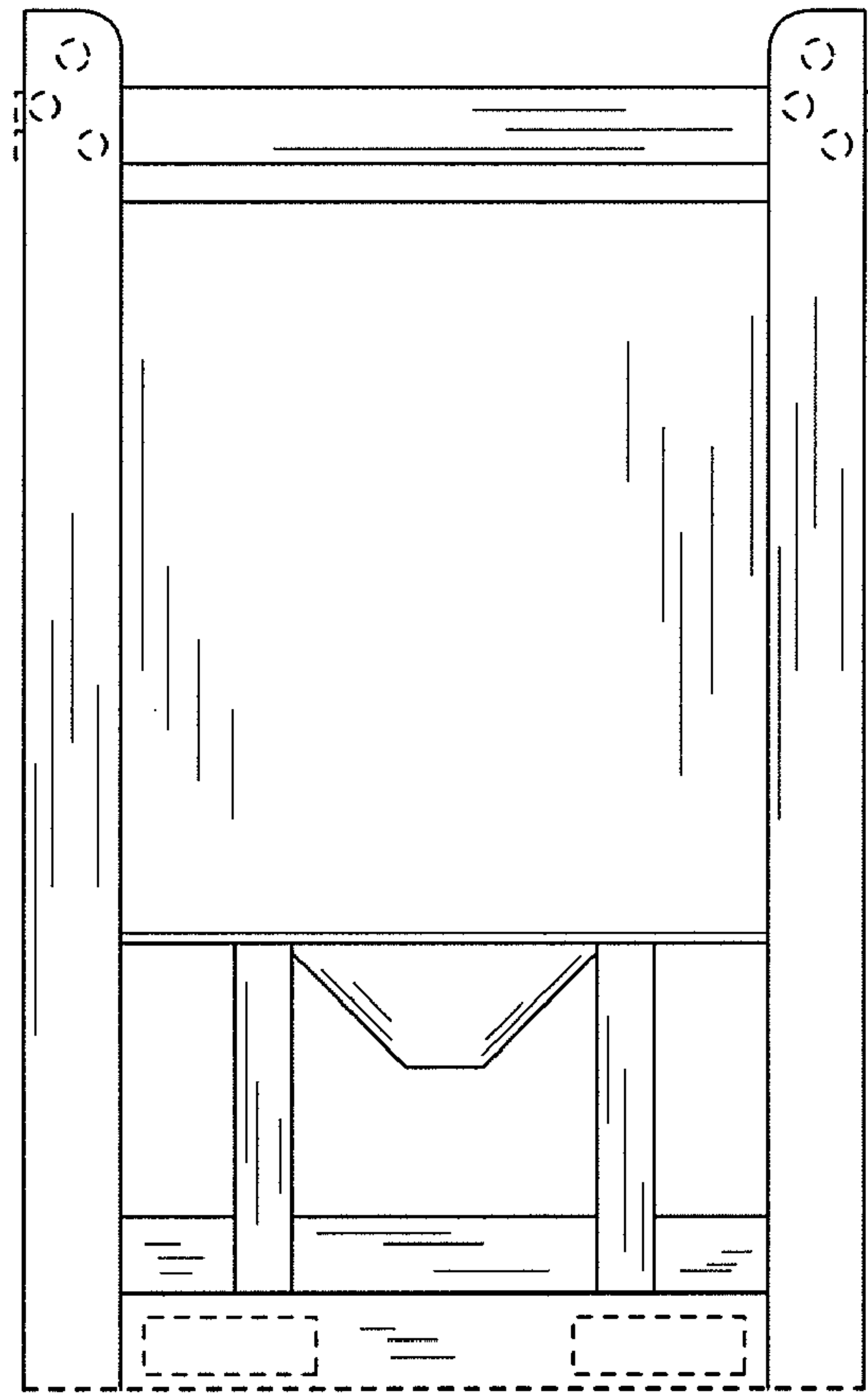


FIG. 13

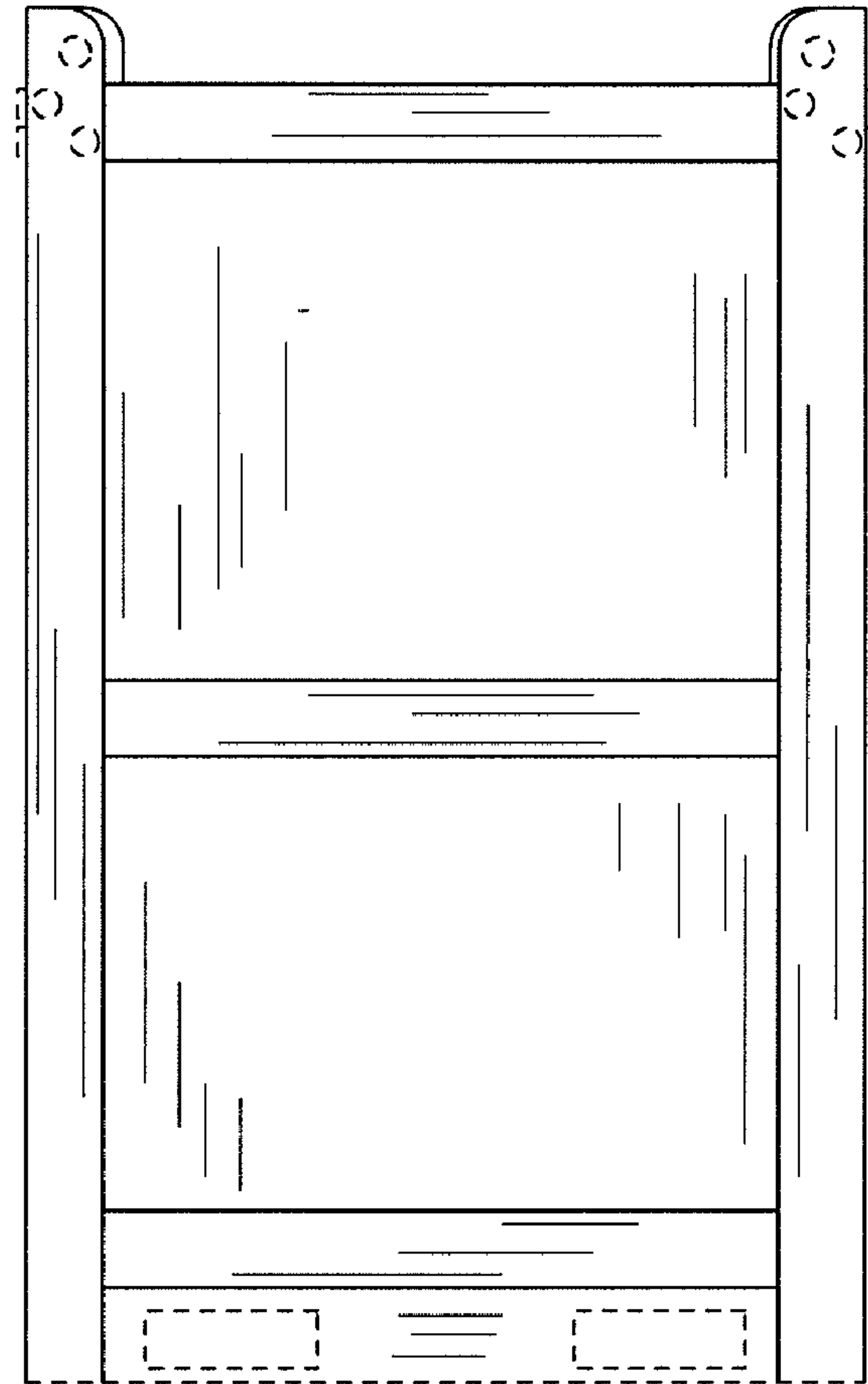


FIG. 14

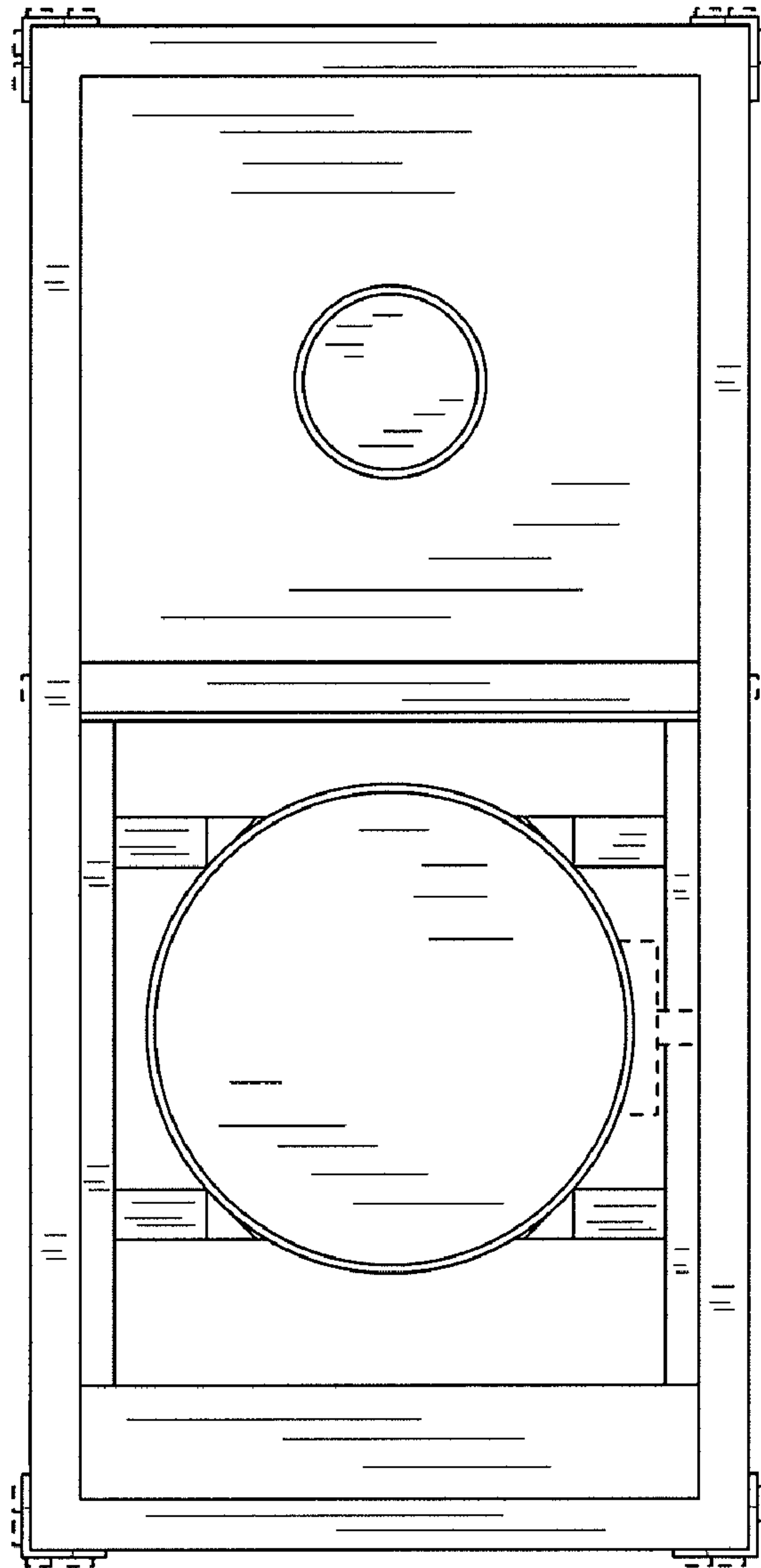


FIG. 15

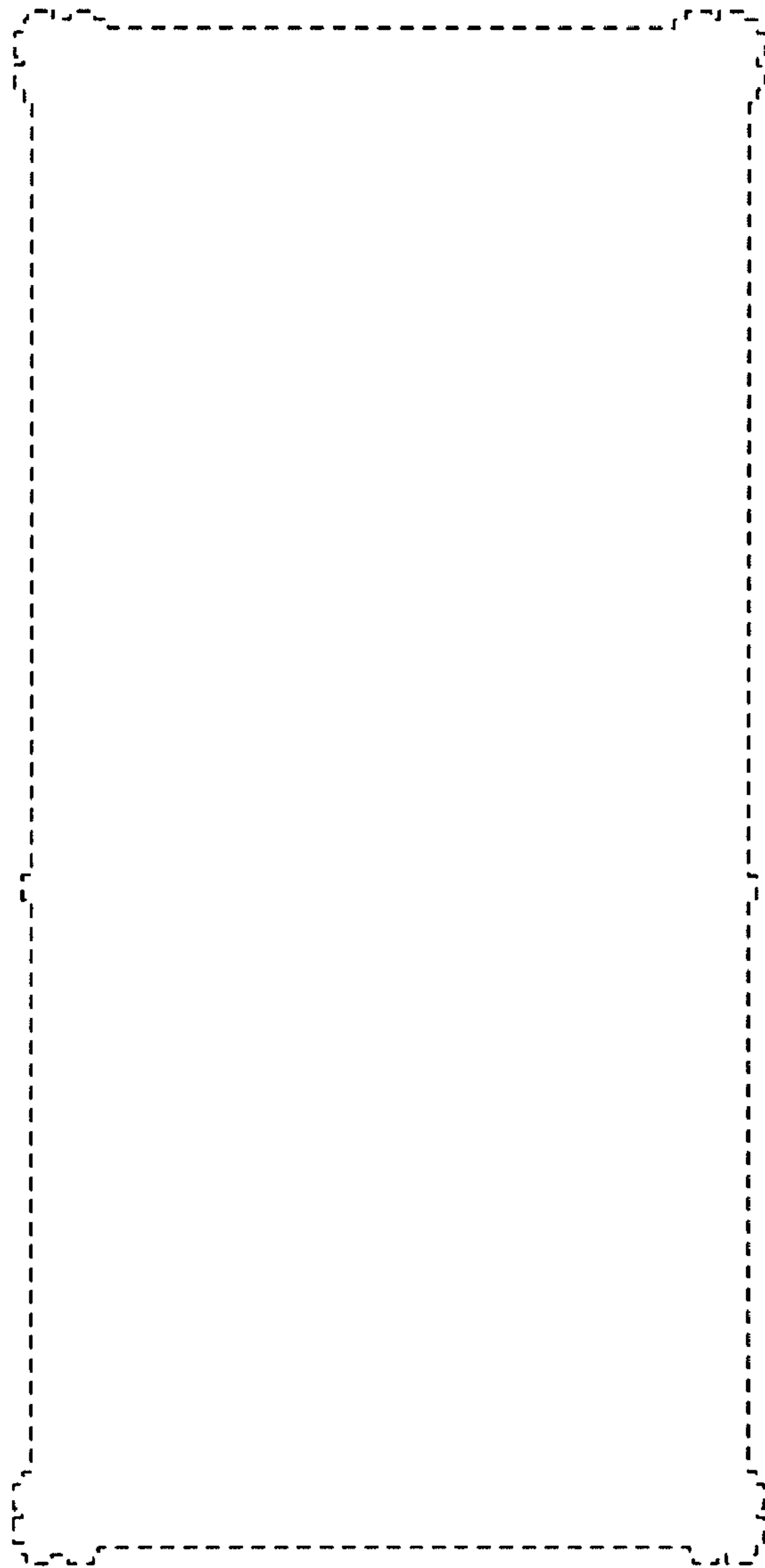


FIG. 16