



US00D653684S

(12) **United States Design Patent**
McDonald

(10) **Patent No.:** **US D653,684 S**

(45) **Date of Patent:** **** Feb. 7, 2012**

(54) **APPLIANCE DOOR GRILL**

(75) **Inventor:** **Jack McDonald**, Hudson, WI (US)

(73) **Assignee:** **Standex International Corporation**,
Salem, NH (US)

(**) **Term:** **14 Years**

(21) **Appl. No.:** **29/349,579**

(22) **Filed:** **Apr. 16, 2010**

(51) **LOC (9) Cl.** **15-07**

(52) **U.S. Cl.** **D15/89**

(58) **Field of Classification Search** D15/79,
D15/81-89, 91; 62/246-255, 331, 337, 440-449;
312/116, 138.1, 401-405, 405.1
See application file for complete search history.

(56) **References Cited**

U.S. PATENT DOCUMENTS

D191,927 S *	12/1961	Trulaske	D15/85
D501,856 S *	2/2005	Okamoto et al.	D15/81
D514,603 S *	2/2006	Ikeda	D15/85
D516,592 S *	3/2006	Ikeda	D15/85
D518,836 S *	4/2006	Reese et al.	D15/89

D520,532 S *	5/2006	Reese et al.	D15/89
D520,533 S *	5/2006	Reese et al.	D15/89
D574,023 S *	7/2008	Ohtake	D15/81
D610,593 S *	2/2010	Ikeda	D15/85
D611,069 S *	3/2010	Ikeda	D15/85
D613,315 S *	4/2010	Crookshanks	D15/89
D640,294 S *	6/2011	Kwon et al.	D15/85

* cited by examiner

Primary Examiner — Mitchell Siegel

(74) *Attorney, Agent, or Firm* — William B. Ritchie

(57) **CLAIM**

The ornamental design for an appliance door grill, as shown.

DESCRIPTION

FIG. 1 is an isometric view of the grill in accordance with the invention.

FIG. 2 is a front view of the appliance door grill.

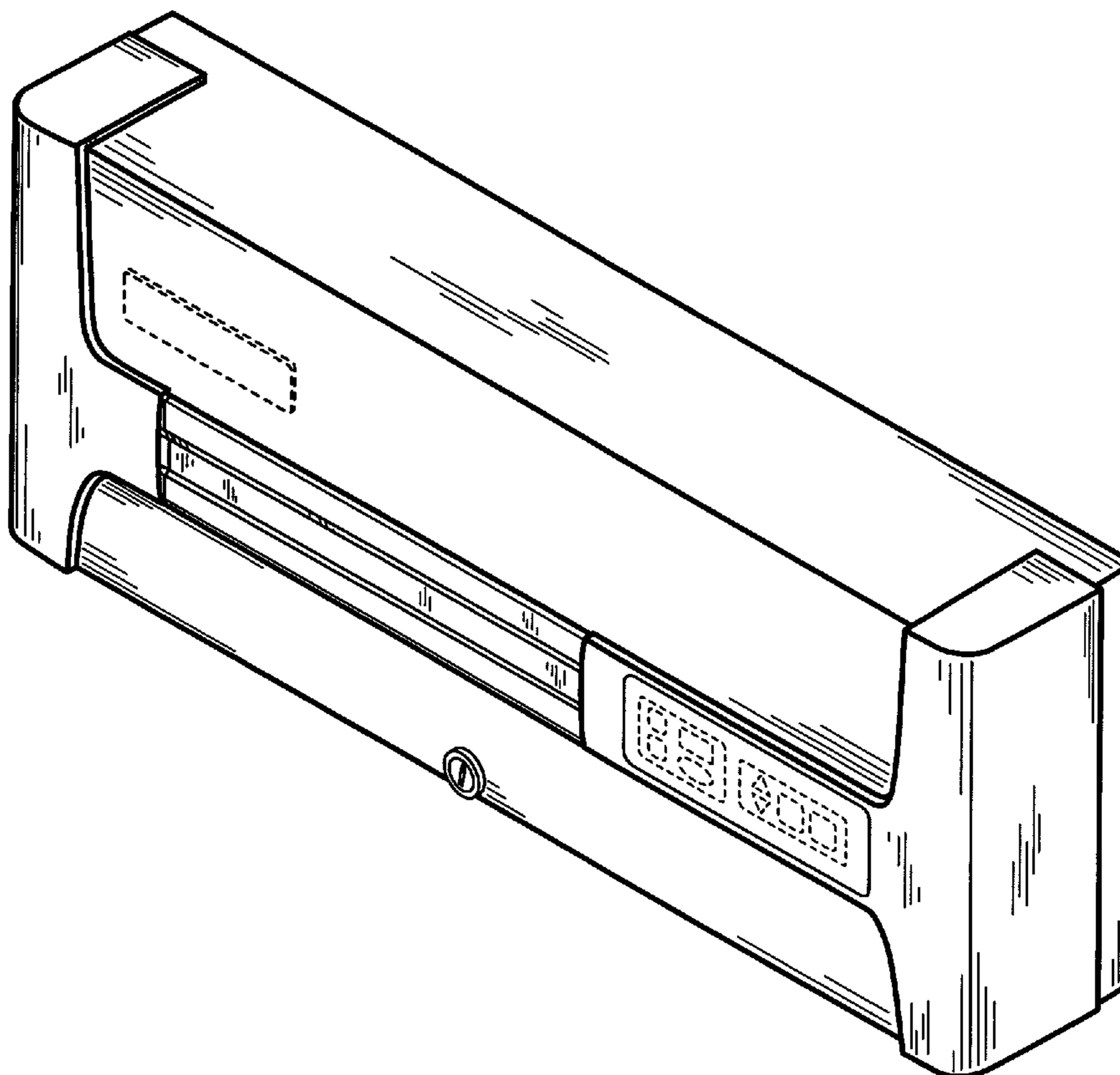
FIG. 3 is a top view of the appliance door grill.

FIG. 4 is an end view of the appliance door grill; and,

FIG. 5 is a reduced front view.

The broken line showing is included for the purpose of illustrating and forms no part of the claimed design.

1 Claim, 4 Drawing Sheets



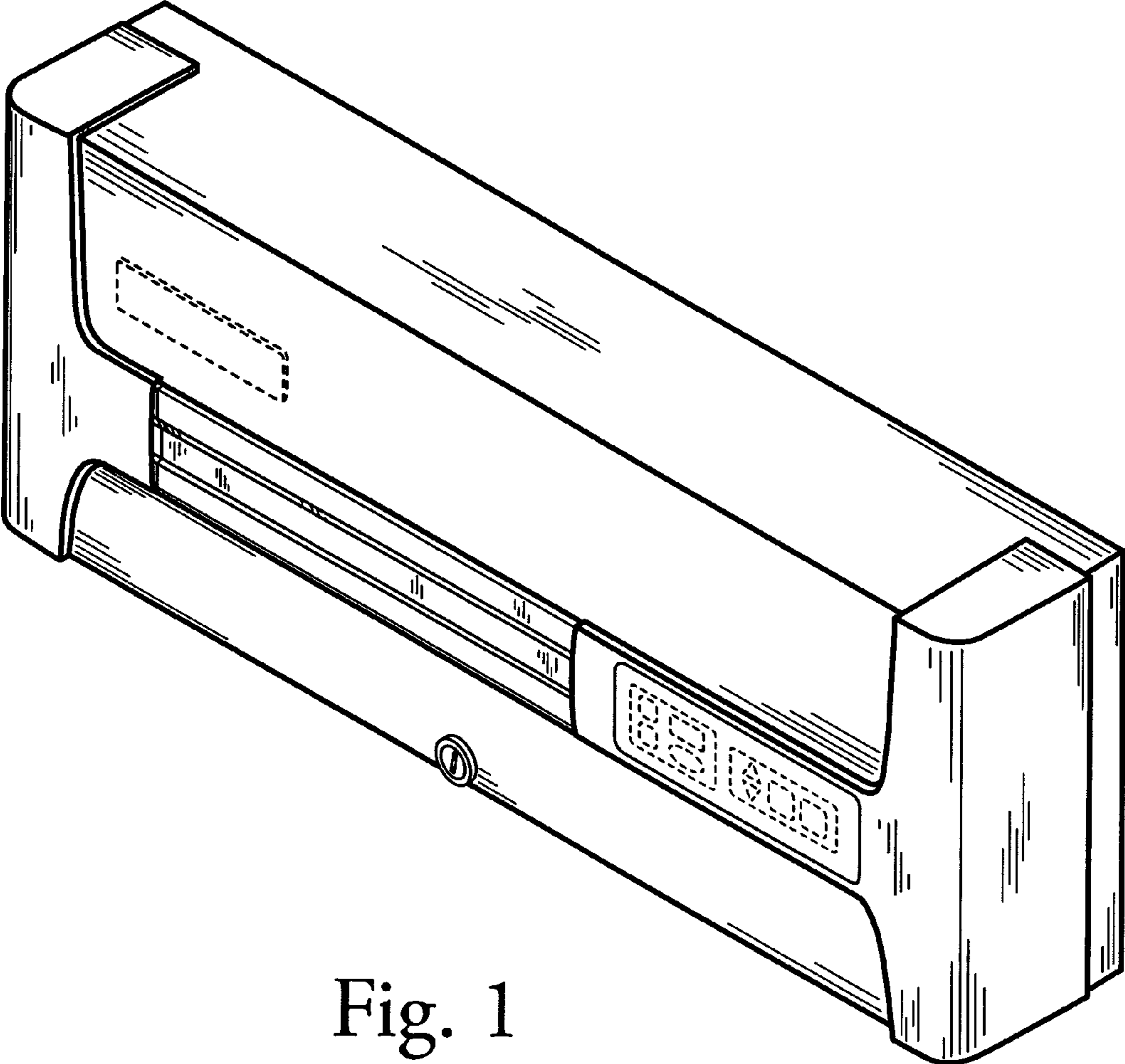


Fig. 1

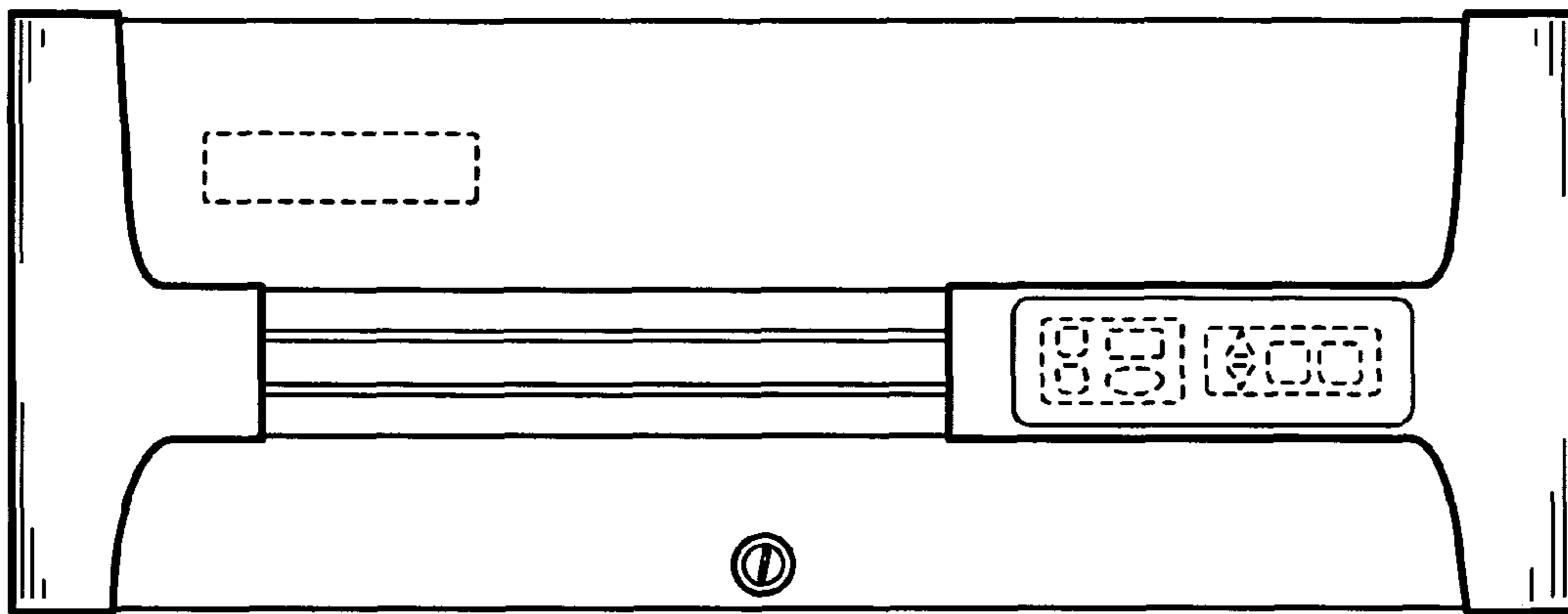


Fig. 2

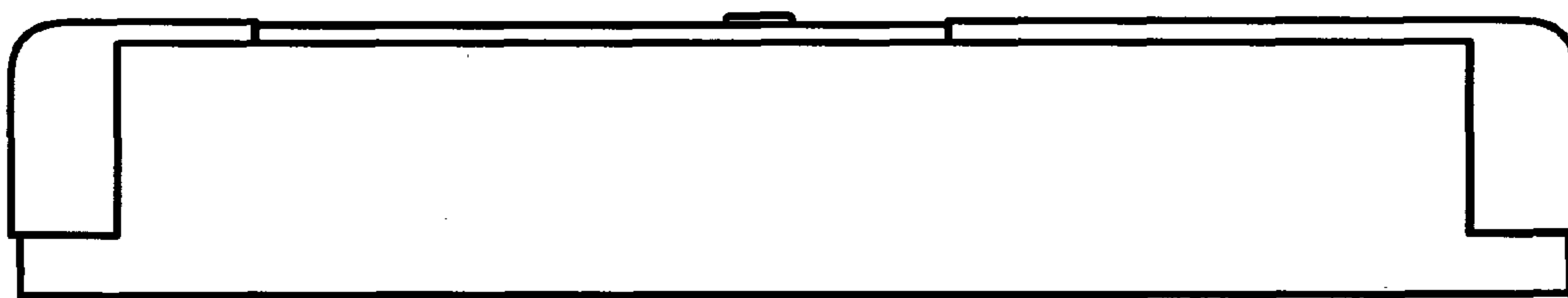


Fig. 3

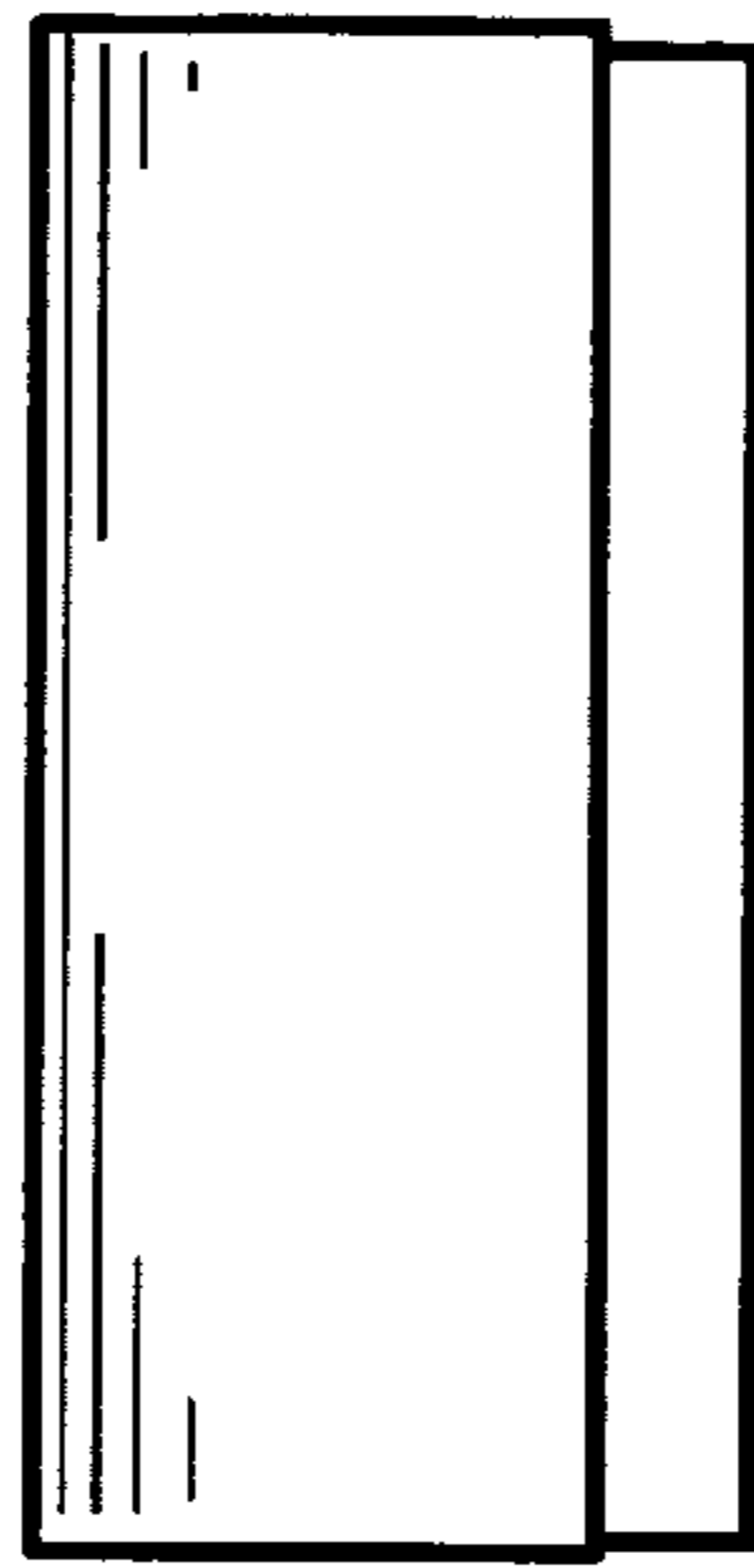


Fig. 4

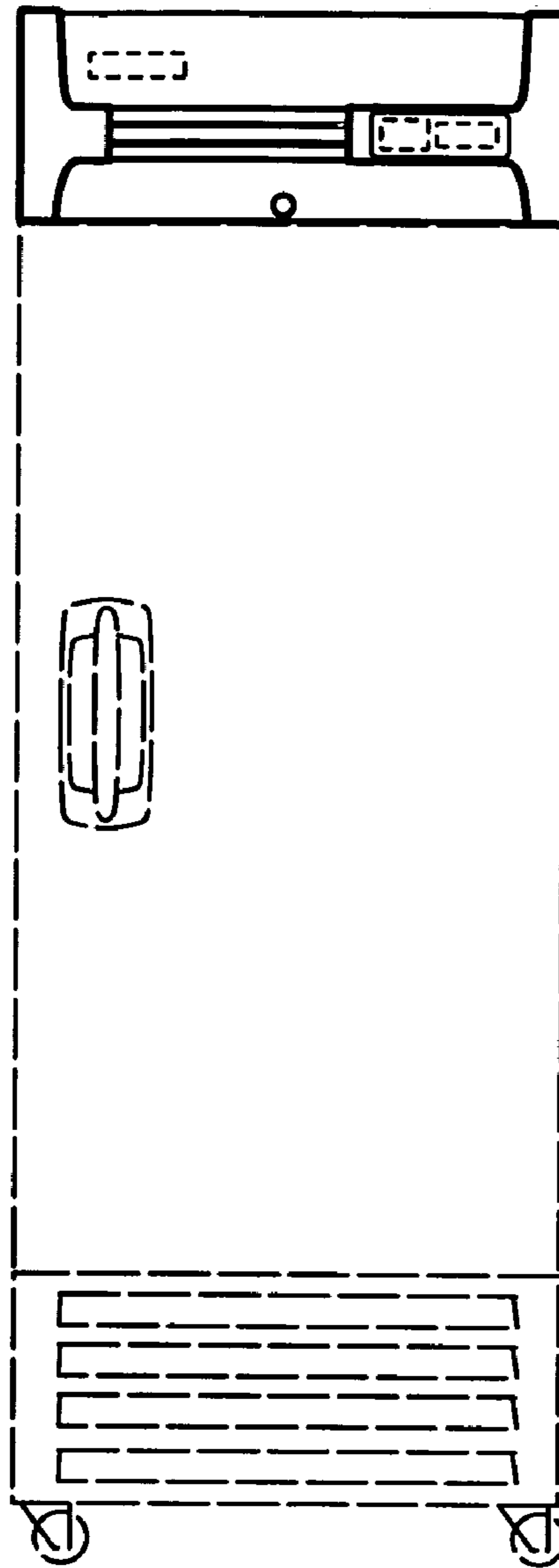


Fig. 5